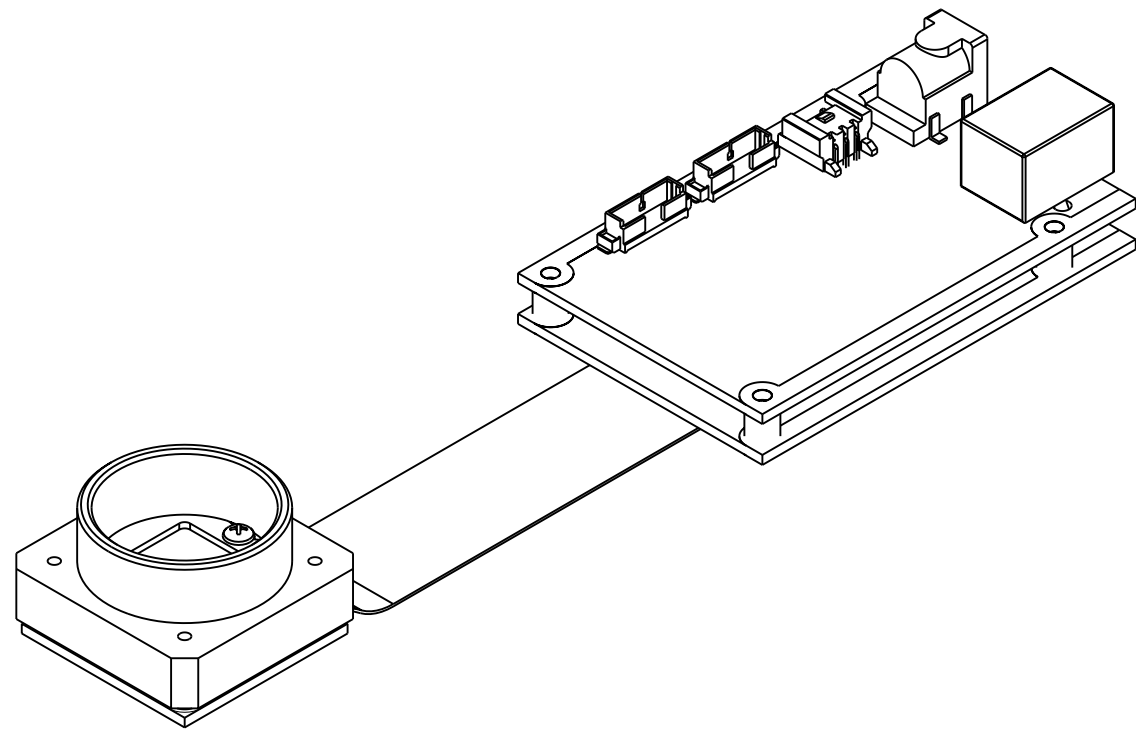
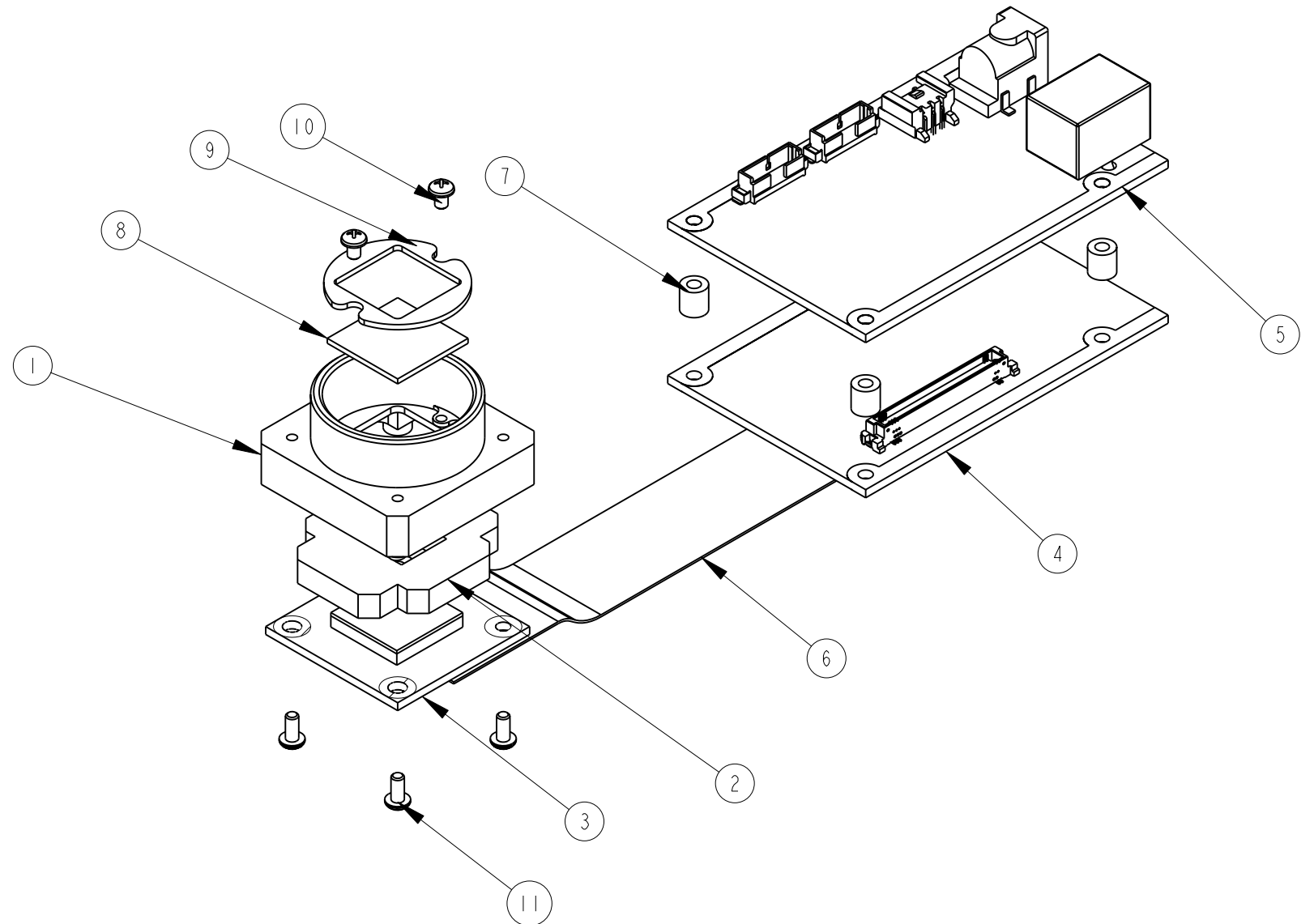


REVISION TABLE

NO.	DESCRIPTION	DATE	INITIALS
06	REDESIGN OF OEM COMPONENTS	JUNE 6 2006	CMP
07	CORRECTIONS TO IFM DISPLAY	JAN 15 2007	CMP
08	DRAWING UPDATES	MAY 07 2007	CMP



SCALE 1.000



ITEM	DESCRIPTION	QTY
11	2-56 X 1/4 PAN HEAD PHILIPS	4
10	2-56 X 1/8 INCH PAN HEAD PHILIPS	2
9	CAMERA GLASS CLAMP	1
8	CAMERA GLASS	1
7	5 MM SPACER	4
6	40 PIN FFC	1
5	IFM PCB	1
4	MPU PCB	1
3	SEM PCB	1
2	IMAGER GASKET	1
1	OEM C-MOUNT	1

BILL OF MATERIALS

NOTES:

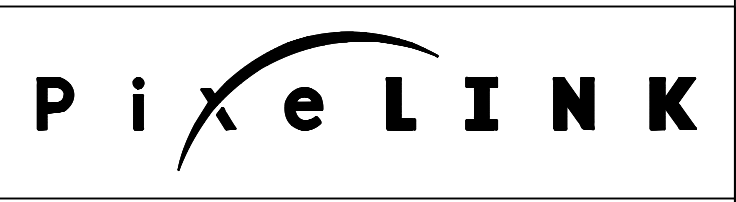
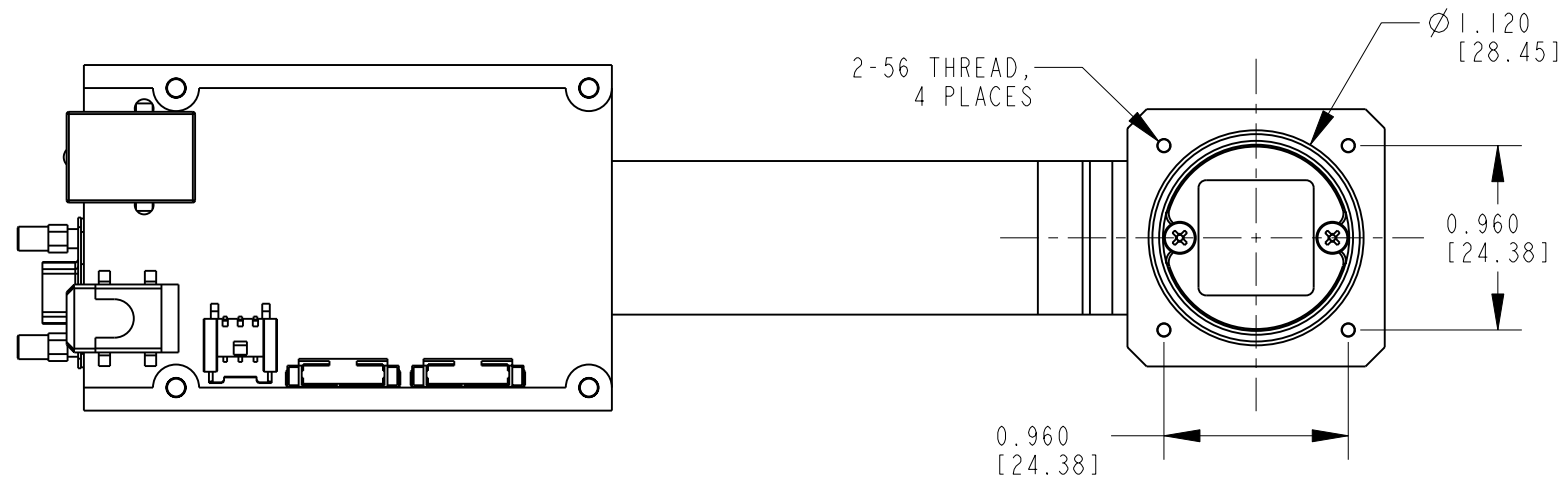
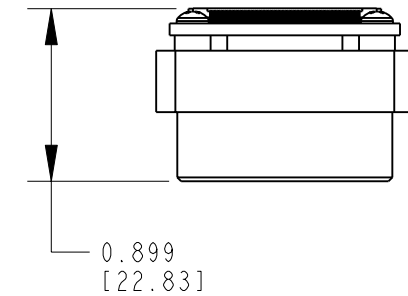
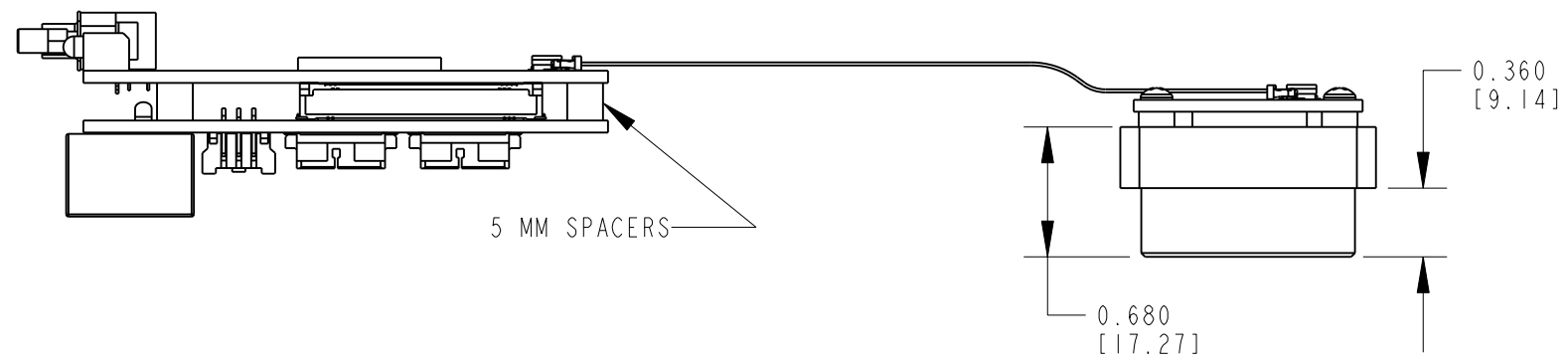
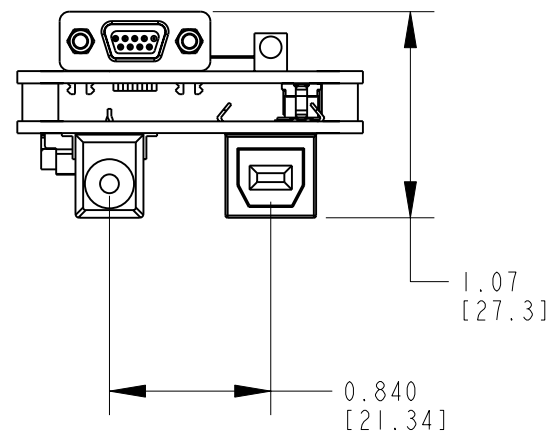
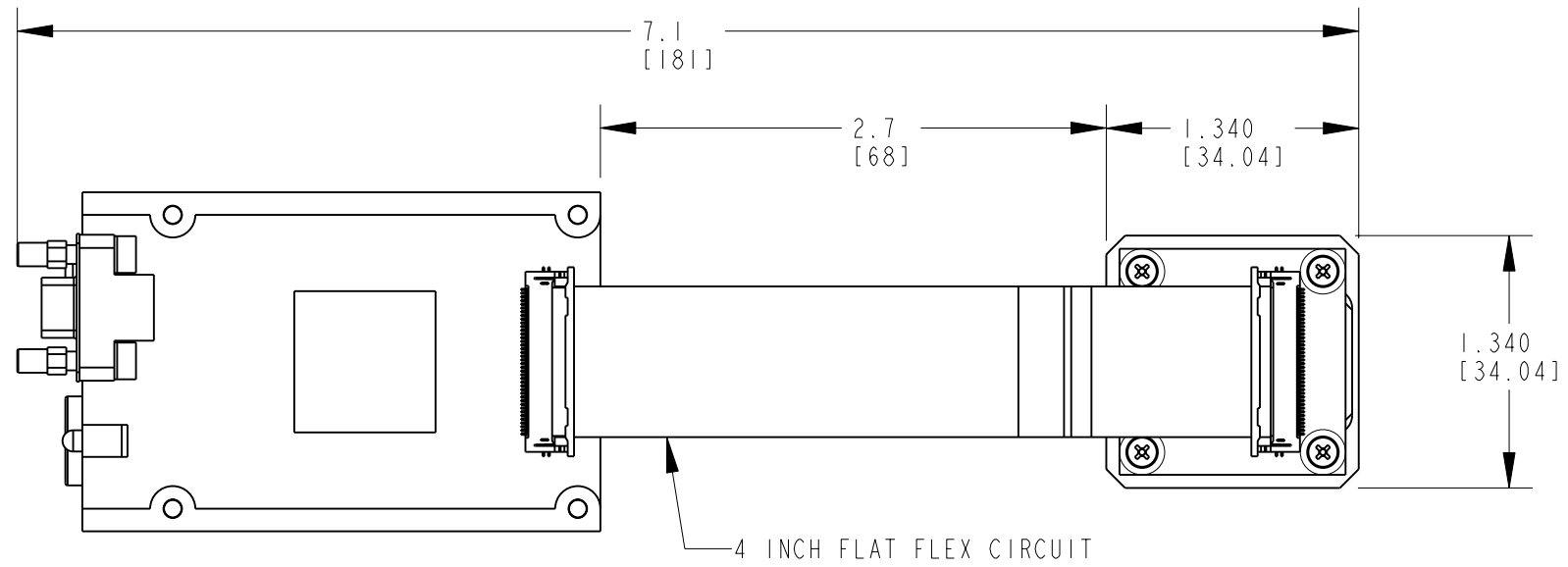
- 1) ALL DIMENSIONS INCHES [MILLIMETERS].
- 2) INTERPRET DRAWING AS PER ASME Y14.5M - 1994.
- 3) SEE ADDITIONAL SHEETS FOR DETAILS.
- 4) FOR FINAL ASSEMBLY:
TORQUE ITEMS 10, 11, 12 TO 2.0±.25 IN-LBS.



TITLE
PL-B OEM
(1.2x1.2 SEM)- USB2 ASSEMBLY

THE INFORMATION CONTAINED IN THIS DOCUMENT IS CONFIDENTIAL AND SHALL NOT BE MADE PUBLIC OR COPIED OR USED AS THE BASIS FOR THE MANUFACTURE OR SALE OF ITEMS UNLESS SPECIFICALLY AUTHORIZED IN WRITING BY Pixelink. THIS DOCUMENT IS THE PROPERTY OF Pixelink, OTTAWA, ONTARIO AND IS SUBJECT TO RETURN ON DEMAND

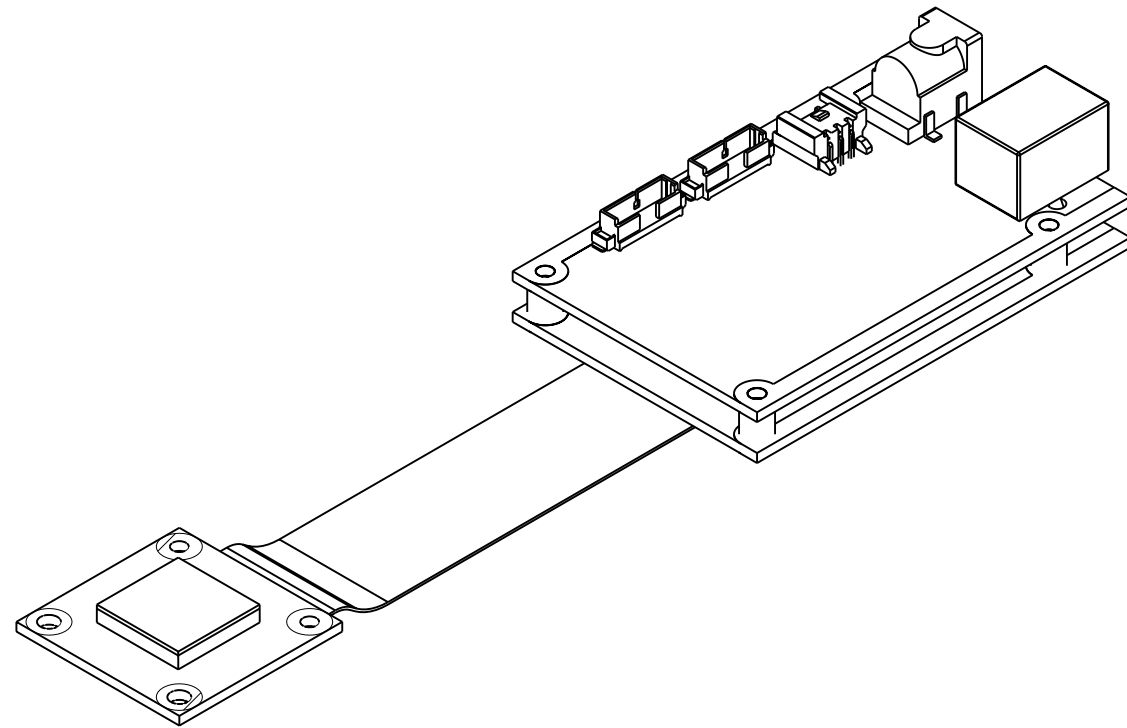
DRAWN BY: CMP	DRAWING NUMBER V0334	REVISION 08
APPROVED BY: CMP DESIGN	SCALE: 1.000	SHEET 1 OF 3
DATE PRODUCED: JUNE-2-2006	SHEET SIZE: B	



TITLE
PL-B OEM
(1.2x1.2 SEM)- USB2 ASSEMBLY

THE INFORMATION CONTAINED IN THIS DOCUMENT IS CONFIDENTIAL AND SHALL NOT BE MADE PUBLIC OR COPIED OR USED AS THE BASIS FOR THE MANUFACTURE OR SALE OF ITEMS UNLESS SPECIFICALLY AUTHORIZED IN WRITING BY PixelINK. THIS DOCUMENT IS THE PROPERTY OF PixelINK, OTTAWA, ONTARIO AND IS SUBJECT TO RETURN ON DEMAND

DRAWN BY: CMP	DRAWING NUMBER V0334	REVISION 08
APPROVED BY: CMP DESIGN	SCALE: 1.000	SHEET 2 OF 3
DATE PRODUCED: JUNE-2-2006	SHEET SIZE: B	



SHOWN WITHOUT C-MOUNT



TITLE
PL-B OEM
 (1.2x1.2 SEM)- USB2 ASSEMBLY

THE INFORMATION CONTAINED IN THIS DOCUMENT IS CONFIDENTIAL AND SHALL NOT BE MADE PUBLIC OR COPIED OR USED AS THE BASIS FOR THE MANUFACTURE OR SALE OF ITEMS UNLESS SPECIFICALLY AUTHORIZED IN WRITING BY Pixelink. THIS DOCUMENT IS THE PROPERTY OF Pixelink, OTTAWA, ONTARIO AND IS SUBJECT TO RETURN ON DEMAND

DRAWN BY: CMP	DRAWING NUMBER V0334	REVISION 08
APPROVED BY: CMP DESIGN	SCALE: 1.000	SHEET 3 OF 3
DATE PRODUCED: JUNE-2-2006	SHEET SIZE: B	