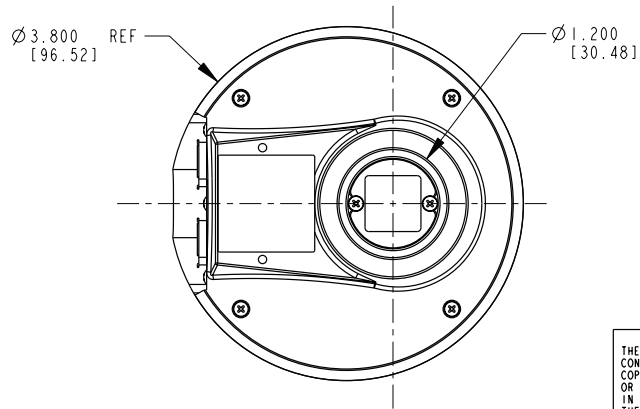


0.290  
[7.37]



THE INFORMATION CONTAINED IN THIS DOCUMENT IS CONFIDENTIAL AND SHALL NOT BE MADE PUBLIC OR COPIED OR USED AS THE BASIS FOR THE MANUFACTURE OR SALE OF ITEMS UNLESS SPECIFICALLY AUTHORIZED IN WRITING BY PixelINK. THIS DOCUMENT IS THE PROPERTY OF PixelINK, OTTAWA, ONTARIO AND IS SUBJECT TO RETURN ON DEMAND

<b>PixelINK</b>			
TITLE <b>PL-B MICROSCOPY (1.7X1.2 SEM) 1394 ASSEMBLY</b>			
DRAWN BY: CMP	DRAWING NUMBER V0339	REVISION 03	
APPROVED BY: CMP DESIGN	SCALE: 0.750	SHEET 2 OF 2	
DATE PRODUCED: 28-AUG-2006	SHEET SIZE: B		