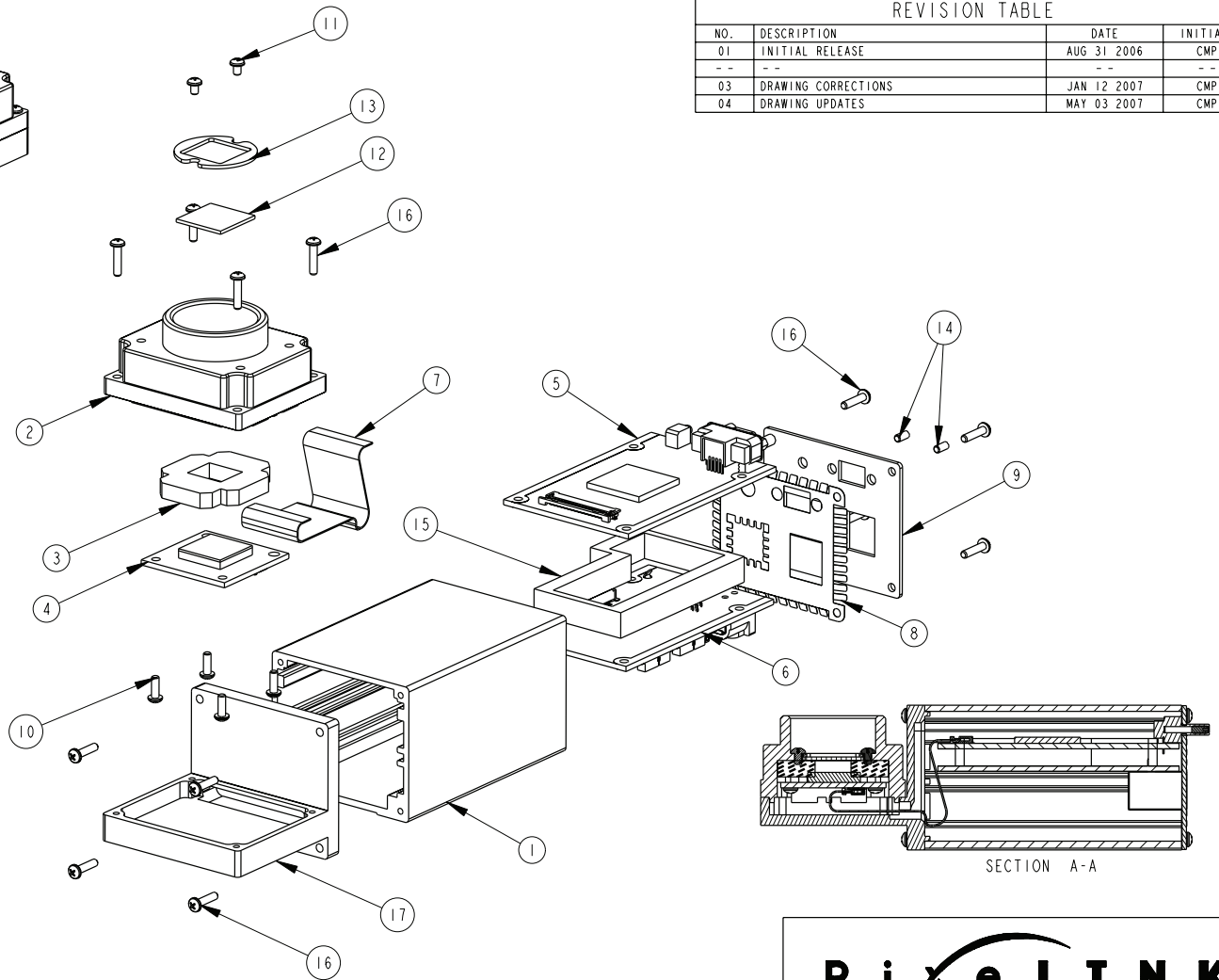
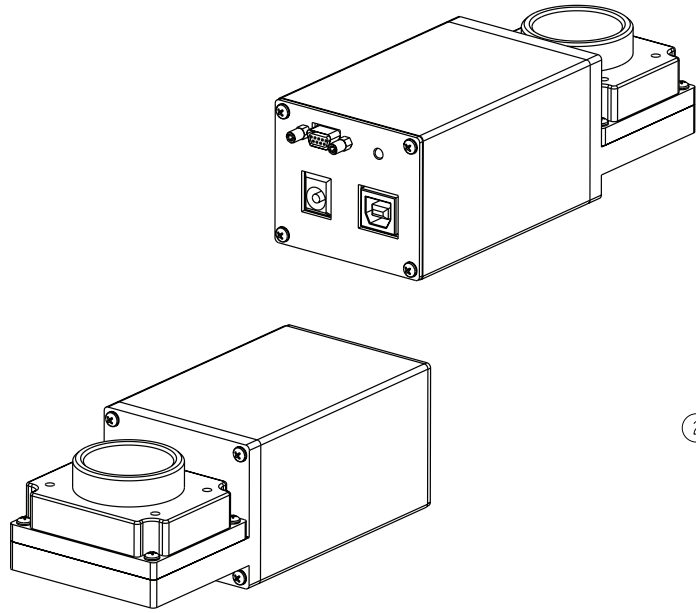


REVISION TABLE

NO.	DESCRIPTION	DATE	INITIALS
01	INITIAL RELEASE	AUG 31 2006	CMP
--	--	--	--
03	DRAWING CORRECTIONS	JAN 12 2007	CMP
04	DRAWING UPDATES	MAY 03 2007	CMP



17	RIGHT ANGLE PANEL	1
16	2-56 X .375 PAN HEAD PHILIPS SCREW	12
15	FOAM SPRING	1
14	SCREW LOCKS FROM MPU CONNECTOR	2
13	CAMERA GLASS CLAMP	1
12	CAMERA GLASS	1
11	2-56 X .125 PAN HEAD PHILIPS SCREW	2
10	2-56 X .250 PAN HEAD PHILIPS SCREW	4
9	BACK PANEL	1
8	BACK EMI SHIELD	1
7	40 PIN FFC	1
6	IFM PCB	1
5	MPU PCB	1
4	SEM PCB	1
3	IMAGER GASKET	1
2	FRONT PANEL	1
1	EXTRUDED CAMERA BODY	1
ITEM	DESCRIPTION	QTY

BILL OF MATERIALS

NOTES:

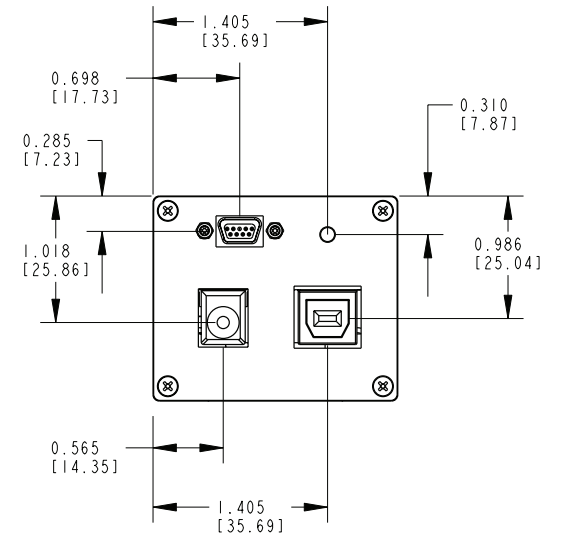
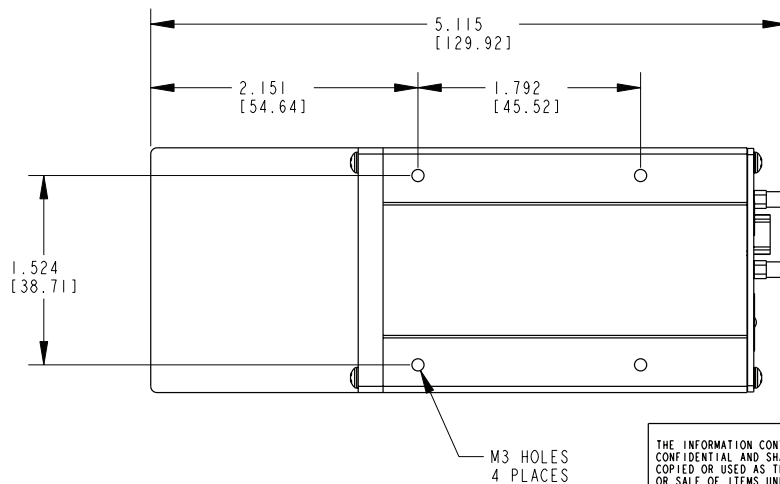
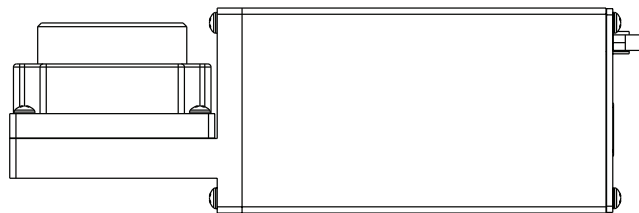
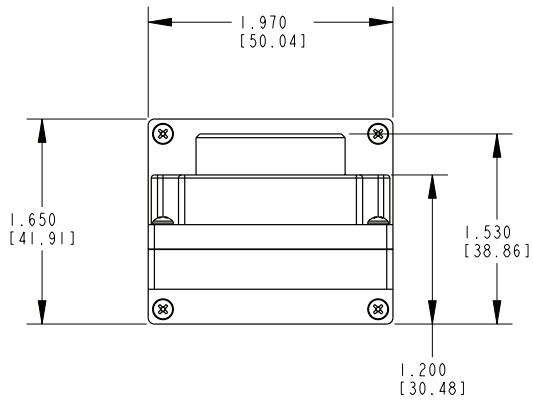
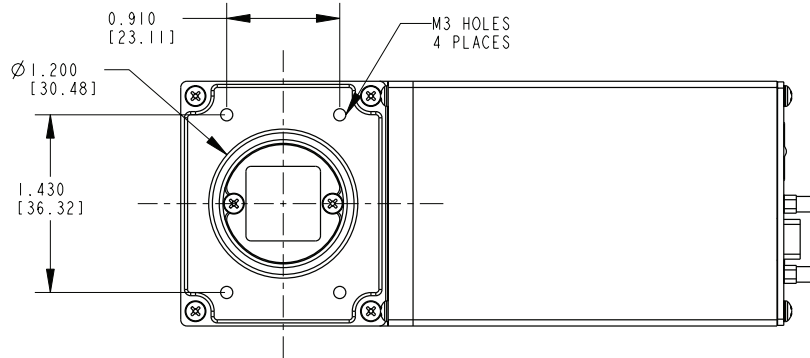
- 1) ALL DIMENSIONS INCHES (MILLIMETERS).
- 2) INTERPRET DRAWING AS PER ASME Y14.5M - 1994.
- 3) SEE ADDITIONAL SHEETS FOR DETAILS.
- 4) FOR FINAL ASSEMBLY:
TORQUE ITEMS 10, 16 TO 2.0±.25 IN-LBS.

THE INFORMATION CONTAINED IN THIS DOCUMENT IS CONFIDENTIAL AND SHALL NOT BE MADE PUBLIC OR COPIED OR USED AS THE BASIS FOR THE MANUFACTURE OR SALE OF ITEMS UNLESS SPECIFICALLY AUTHORIZED IN WRITING BY PixelINK. THIS DOCUMENT IS THE PROPERTY OF PixelINK, OTTAWA, ONTARIO AND IS SUBJECT TO RETURN ON DEMAND



TITLE
PL-B-R CAMERA (1.2X1.2 SEM)
USB2 ASSEMBLY

DRAWN BY: CMP	DRAWING NUMBER V0366	REVISION 04
APPROVED BY: CMP DESIGN	SCALE: 0.750	SHEET 1 OF 2
DATE PRODUCED: 27 JULY 2005	SHEET SIZE: B	



TITLE
PL-B-R CAMERA (1.2X1.2 SEM)
USB2 ASSEMBLY

THE INFORMATION CONTAINED IN THIS DOCUMENT IS
 CONFIDENTIAL AND SHALL NOT BE MADE PUBLIC OR
 COPIED OR USED AS THE BASIS FOR THE MANUFACTURE
 OR SALE OF ITEMS UNLESS SPECIFICALLY AUTHORIZED
 IN WRITING BY PixelINK. THIS DOCUMENT IS
 THE PROPERTY OF PixelINK, OTTAWA, ONTARIO
 AND IS SUBJECT TO RETURN ON DEMAND

DRAWN BY: CMP	DRAWING NUMBER V0366	REVISION 04
APPROVED BY: CMP DESIGN	SCALE: 0.750	SHEET 2 OF 2
DATE PRODUCED: 27 JULY 2005	SHEET SIZE: B	