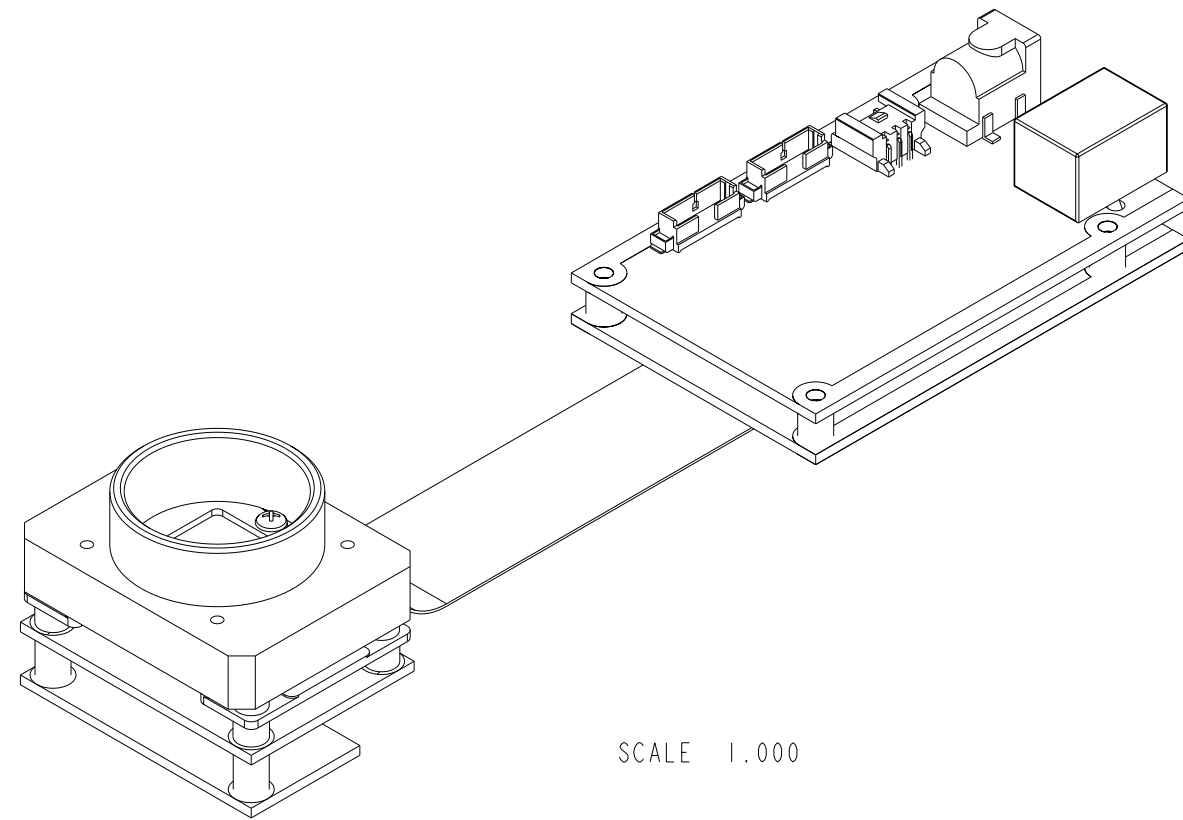
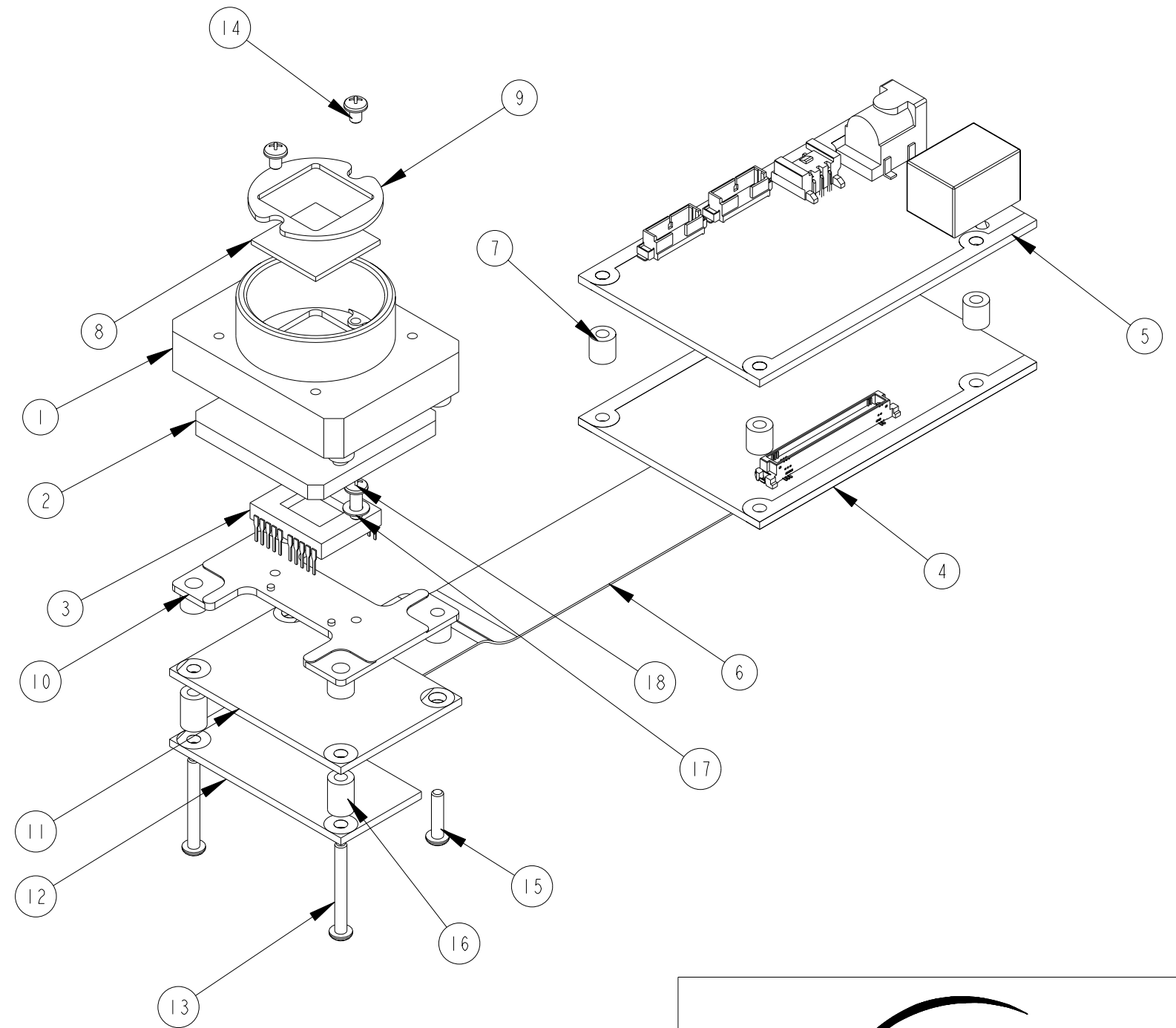


REVISION TABLE

NO.	DESCRIPTION	DATE	INITIALS
01	INITIAL RELEASE	APRIL 26 2007	CMP



SCALE 1.000



18	2-56 X 1/4 INCH PAN HEAD PHILLIPS	2
17	No. 2 NYLON WASHER	2
16	7MM SPACER	2
15	2-56 X 3/8 PAN HEAD PHILIPS	2
14	2-56 X 1/8 INCH PAN HEAD PHILIPS	2
13	2-56 X 3/4 INCH PAN HEAD PHILLIPS	2
12	SEM CCD POWER BOARD	1
11	SEM CCD SENSOR BOARD	1
10	CCD IMAGER MOUNTING PLATE	1
9	CAMERA GLASS CLAMP	1
8	CAMERA GLASS	1
7	5 MM SPACER	4
6	40 PIN FFC	1
5	IFM PCB	1
4	MPU PCB	1
3	CCD CHIP	1
2	IMAGER GASKET	1
1	OEM C-MOUNT	1
ITEM	DESCRIPTION	QTY

BILL OF MATERIALS

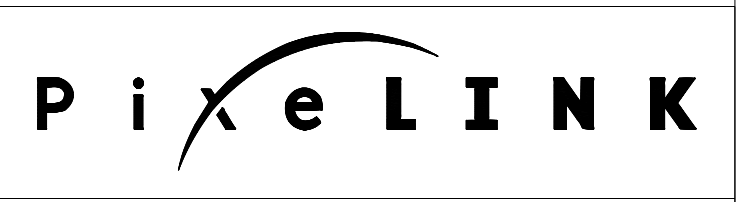
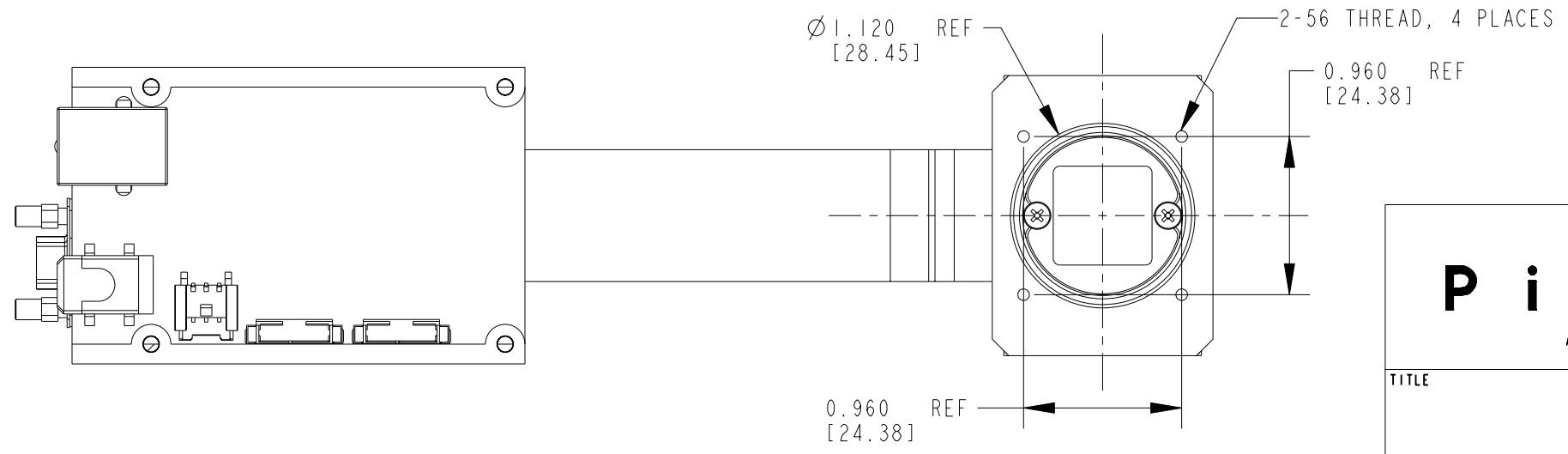
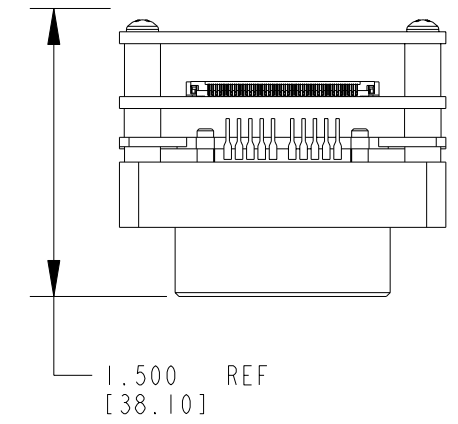
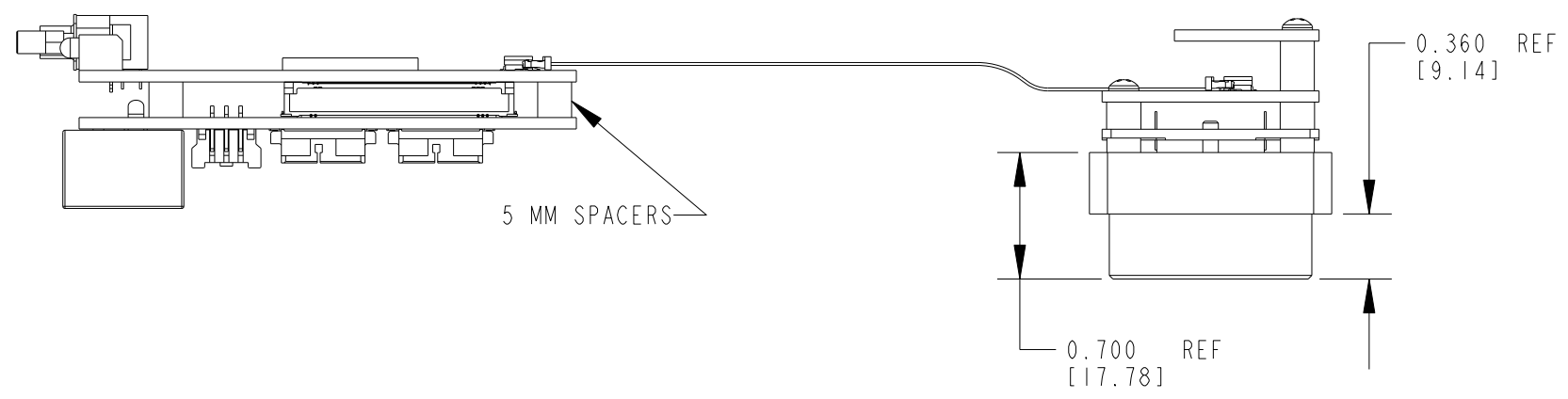
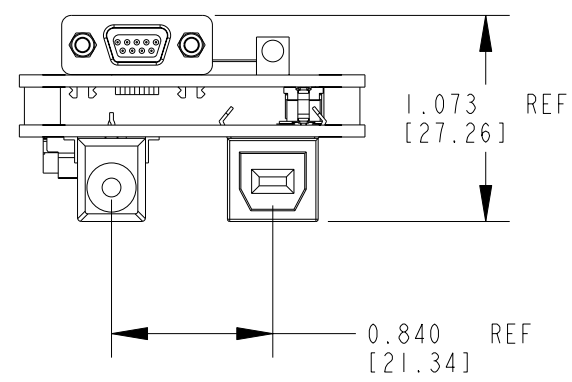
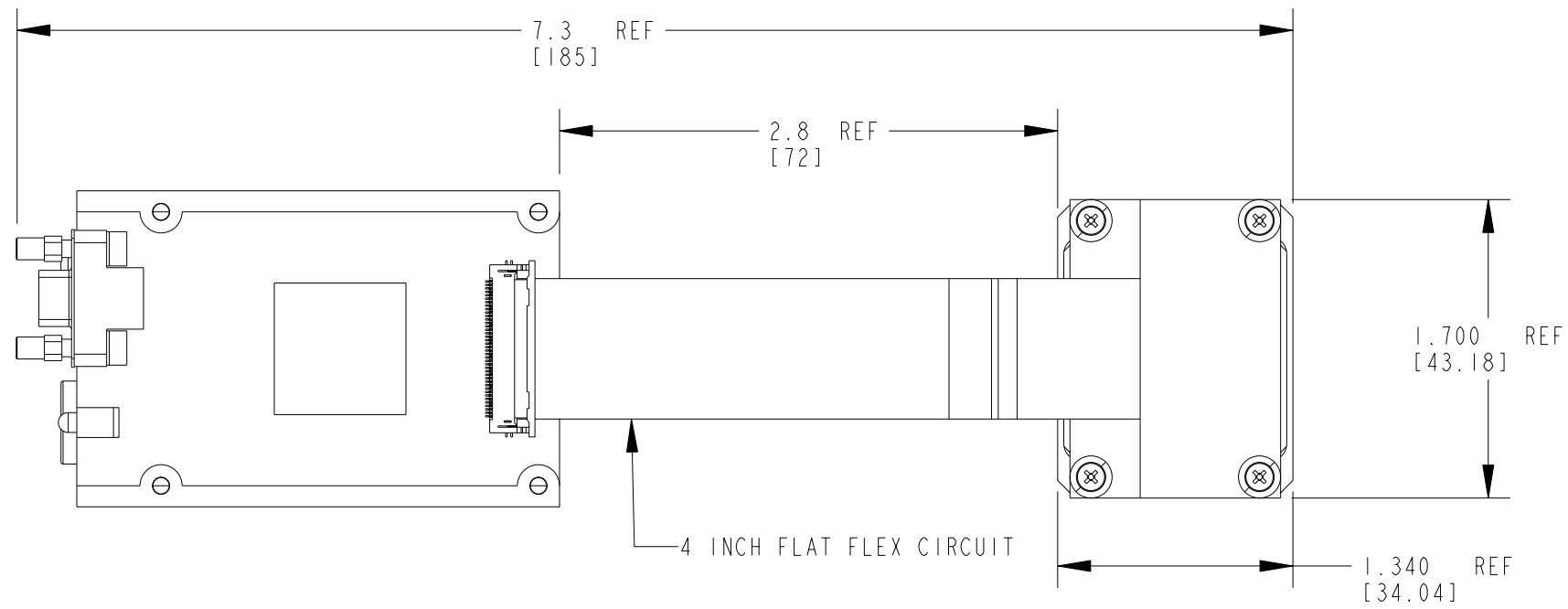
NOTES:

- 1) ALL DIMENSIONS INCHES [MILLIMETERS].
- 2) INTERPRET DRAWING AS PER ASME Y14.5M - 1994.
- 3) SEE ADDITIONAL SHEETS FOR DETAILS.
- 4) FOR FINAL ASSEMBLY:  
TORQUE ITEMS 10, 11, 12 TO 2.0±.25 IN-LBS.



TITLE		
<b>PL-B OEM CCD USB2 ASSEMBLY</b>		
DRAWN BY:	DRAWING NUMBER	REVISION
CMP	V0386	01
APPROVED BY:	SCALE:	SHEET 1 OF 2
CMP DESIGN	1.000	
DATE PRODUCED:	MODEL REFERENCE:	
APRIL-26-2007		

THE INFORMATION CONTAINED IN THIS DOCUMENT IS CONFIDENTIAL AND SHALL NOT BE MADE PUBLIC OR COPIED OR USED AS THE BASIS FOR THE MANUFACTURE OR SALE OF ITEMS UNLESS SPECIFICALLY AUTHORIZED IN WRITING BY PixelINK. THIS DOCUMENT IS THE PROPERTY OF PixelINK, OTTAWA, ONTARIO AND IS SUBJECT TO RETURN ON DEMAND



TITLE  
**PL-B OEM CCD  
 USB2 ASSEMBLY**

THE INFORMATION CONTAINED IN THIS DOCUMENT IS CONFIDENTIAL AND SHALL NOT BE MADE PUBLIC OR COPIED OR USED AS THE BASIS FOR THE MANUFACTURE OR SALE OF ITEMS UNLESS SPECIFICALLY AUTHORIZED IN WRITING BY PixelINK. THIS DOCUMENT IS THE PROPERTY OF PixelINK, OTTAWA, ONTARIO AND IS SUBJECT TO RETURN ON DEMAND

DRAWN BY: CMP	DRAWING NUMBER V0386	REVISION 01
APPROVED BY: CMP DESIGN	SCALE: 1.000	SHEET 2 OF 2
DATE PRODUCED: APRIL-26-2007	MODEL REFERENCE:	