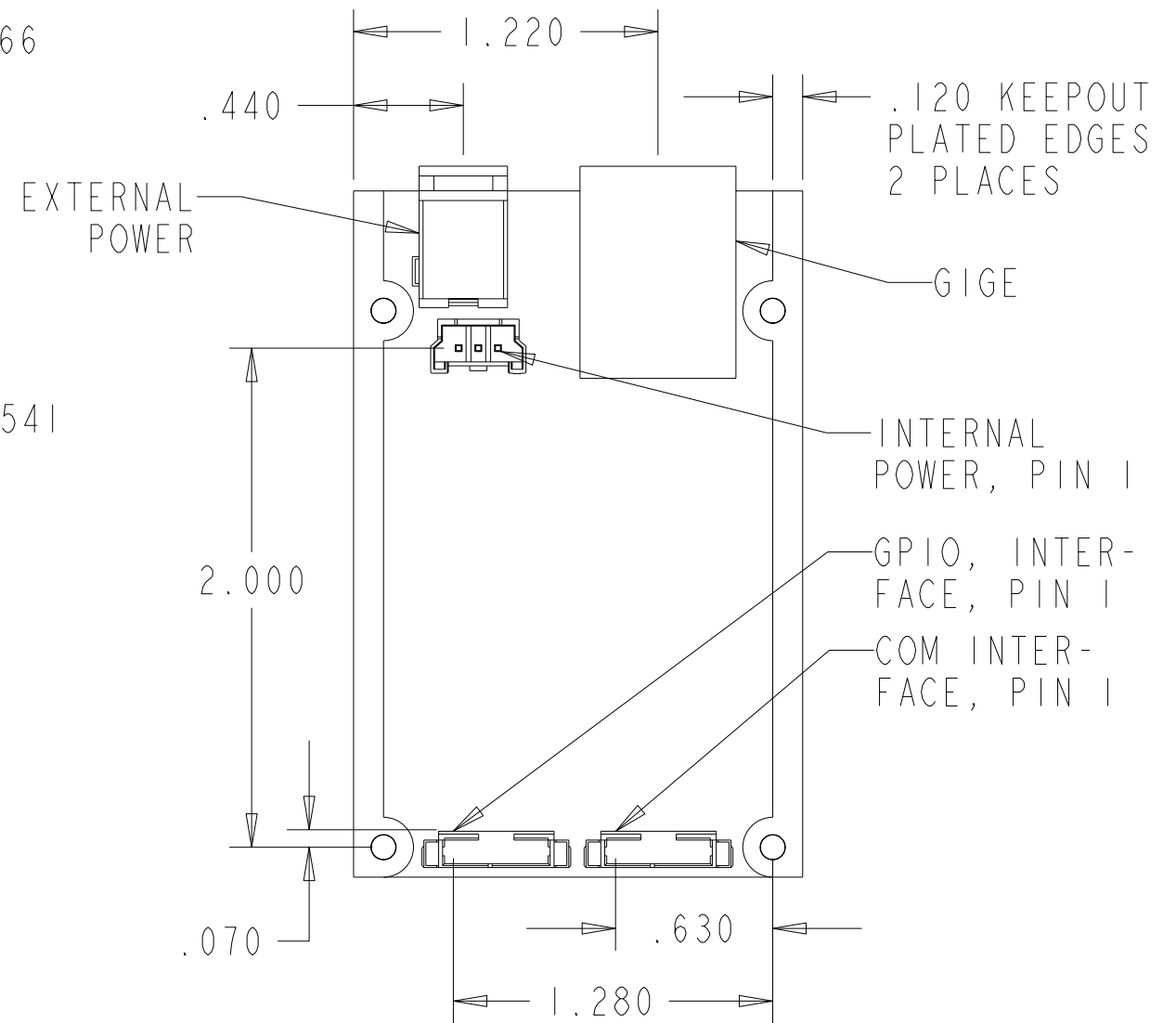
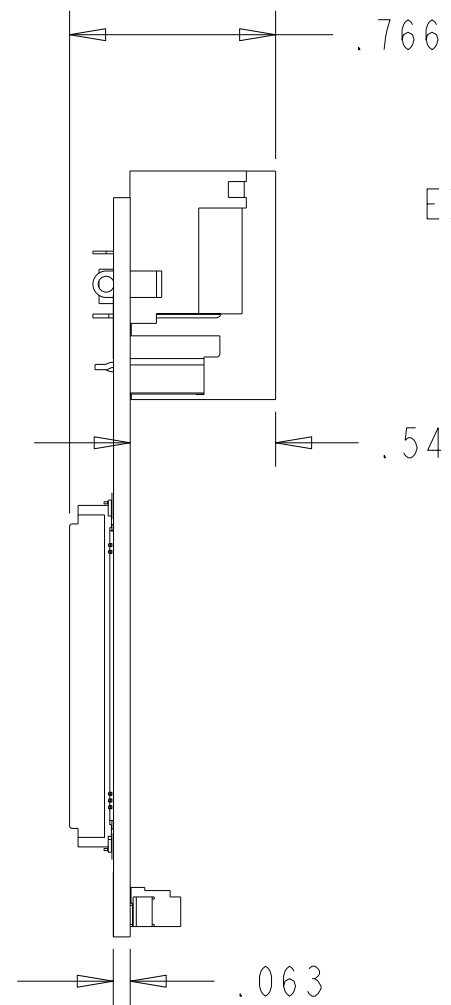
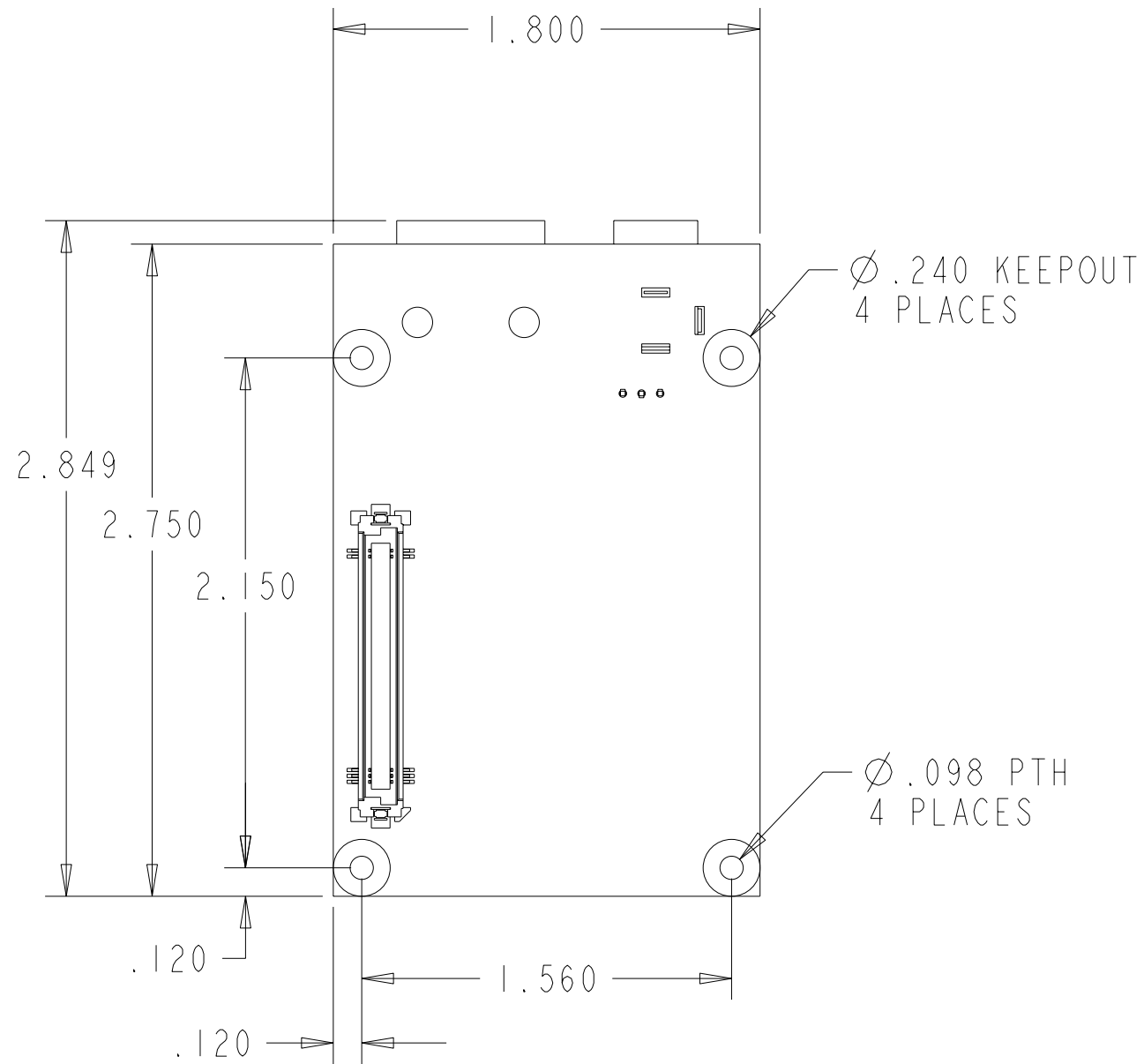


REVISION TABLE

NO.	DESCRIPTION	DATE	INITIALS
01	INITIAL RELEASE.	28 OCT 2007	CMP



NOTES:

- 1) PixelINK PART NUMBER 05697-01.
- 2) ALL DIMENSIONS INCHES.
- 3) INTERPRET DRAWING AS PER ASME Y14.5M - 1994.
- 4) TOLERANCES UNLESS OTHERWISE SPECIFIED ARE:

LINEAR

- .X = ± linear\_tol\_0\_0:5
- .XX = ± linear\_tol\_0\_00:5
- .XXX = ± linear\_tol\_0\_000:5

ANGULAR

- .X = ± angular\_tol\_0\_0:5°

- 5) MPU-IFM MATED BOARD SPACING IS 5.0 MM



TITLE  
**46X70MM GIGE IFM BOARD OUTLINE**

THE INFORMATION CONTAINED IN THIS DOCUMENT IS CONFIDENTIAL AND SHALL NOT BE MADE PUBLIC OR COPIED OR USED AS THE BASIS FOR THE MANUFACTURE OR SALE OF ITEMS UNLESS SPECIFICALLY AUTHORIZED IN WRITING BY PixelINK. THIS DOCUMENT IS THE PROPERTY OF PixelINK, OTTAWA, ONTARIO AND IS SUBJECT TO RETURN ON DEMAND

DRAWN BY: CMP	DRAWING NUMBER V0407	REVISION 01
APPROVED BY:	SCALE: 1.000	SHEET 1 OF 1
DATE PRODUCED: 28 OCT 2007	SHEET SIZE: B	