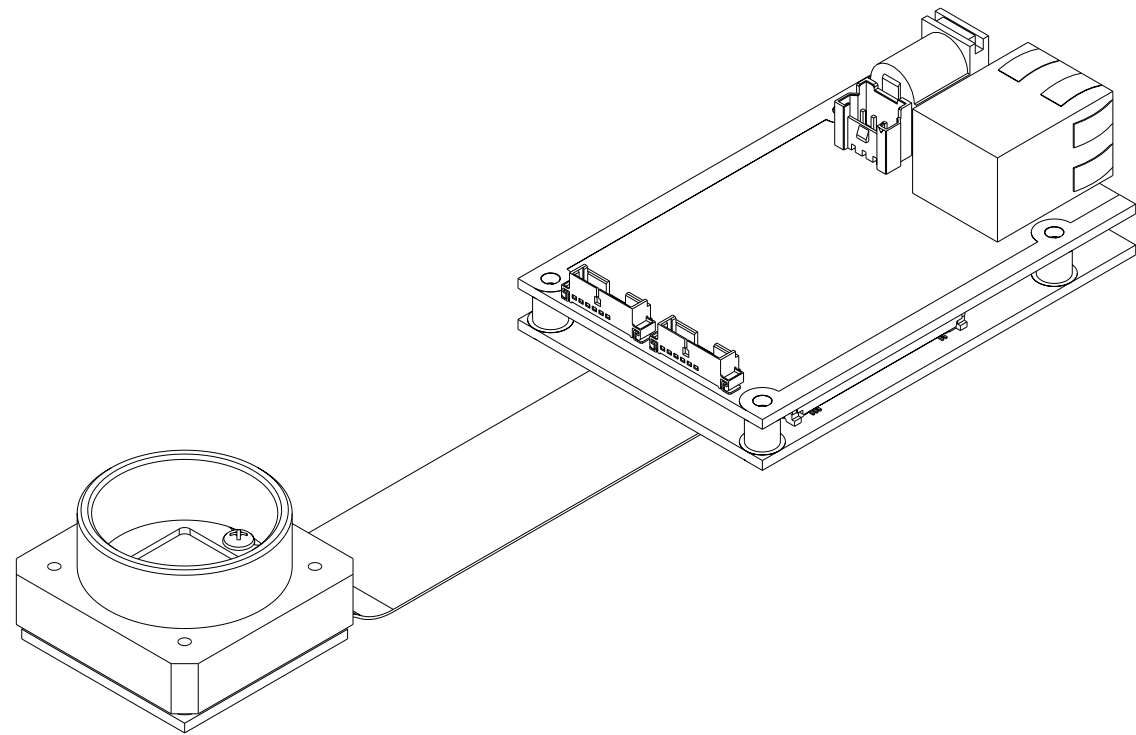
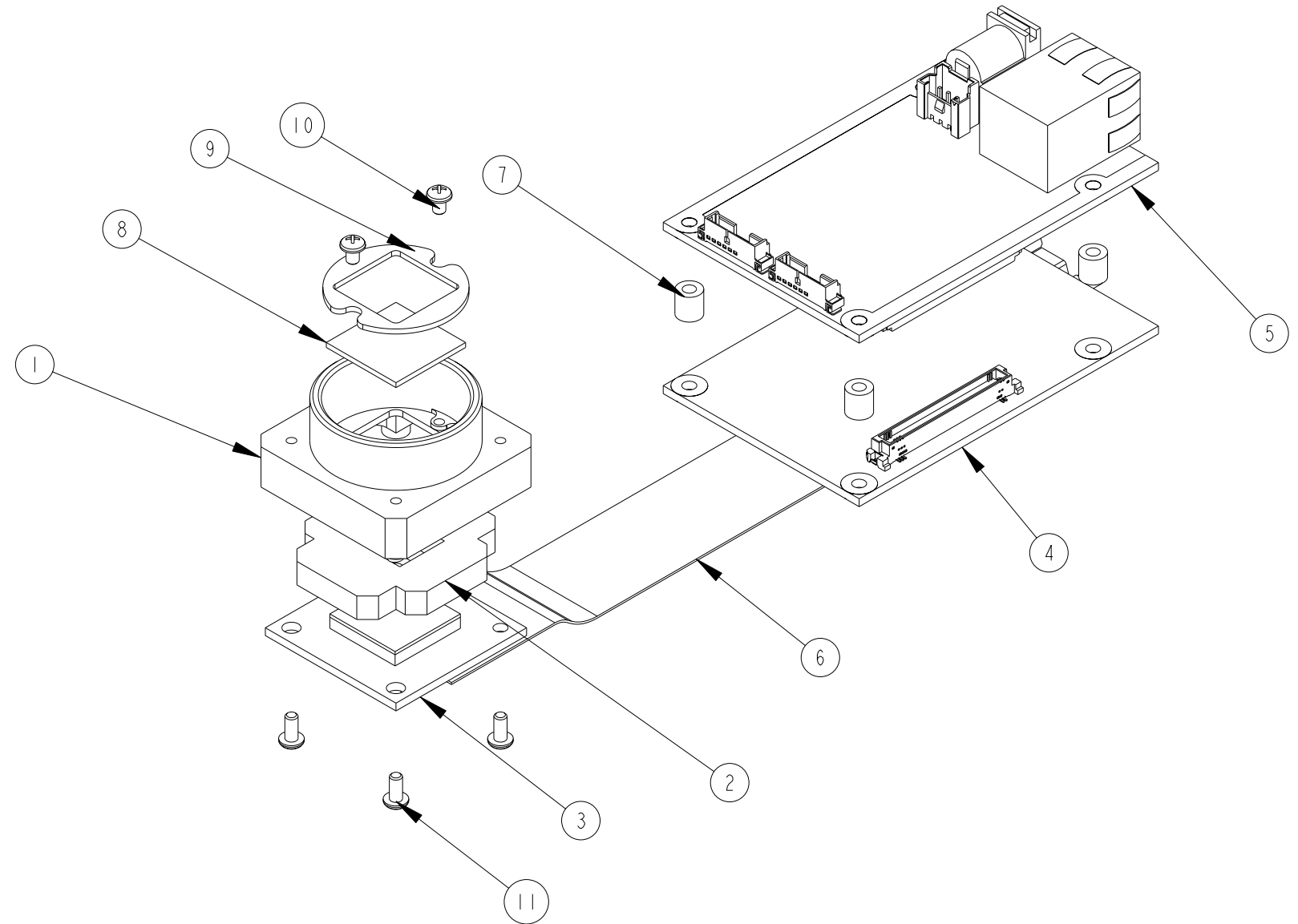


REVISION TABLE

NO.	DESCRIPTION	DATE	INITIALS
01	INITIAL RELEASE	29 OCT 2007	CMP



SCALE 1.000



11	2-56 X 1/4 PAN HEAD PHILIPS	4
10	2-56 X 1/8 INCH PAN HEAD PHILIPS	2
9	CAMERA GLASS CLAMP	1
8	CAMERA GLASS	1
7	5 MM SPACER	4
6	40 PIN FFC	1
5	IFM PCB	1
4	MPU PCB	1
3	SEM PCB	1
2	IMAGER GASKET	1
1	OEM C-MOUNT	1
ITEM	DESCRIPTION	QTY
BILL OF MATERIALS		

NOTES:

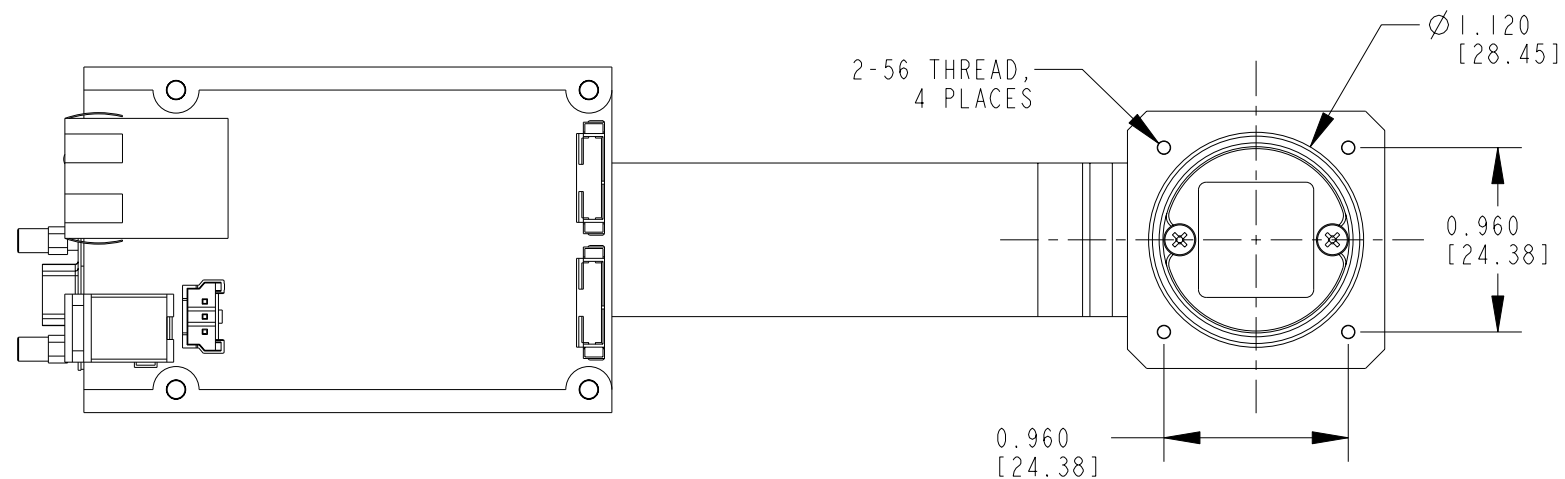
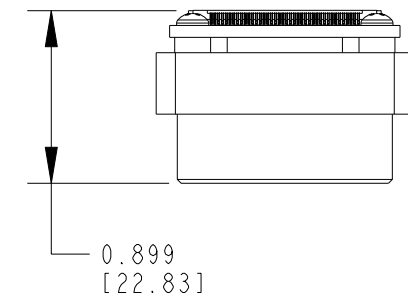
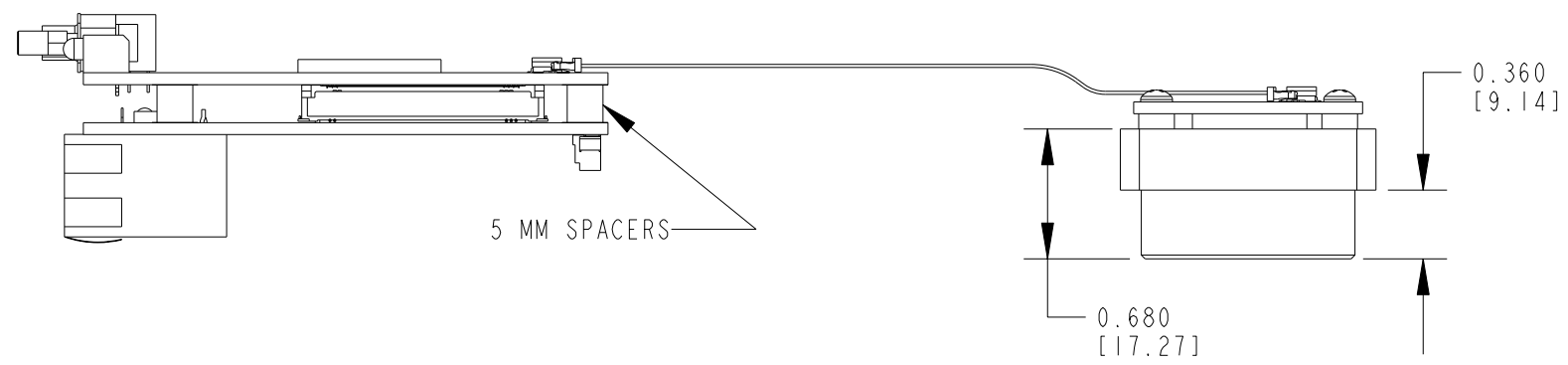
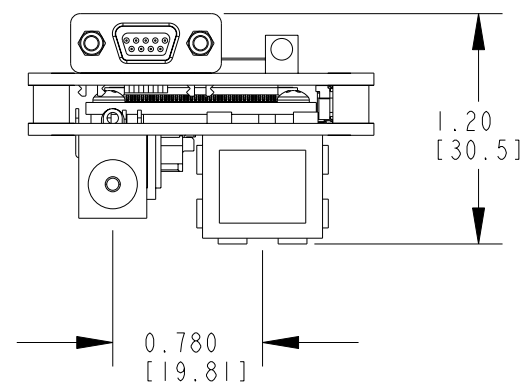
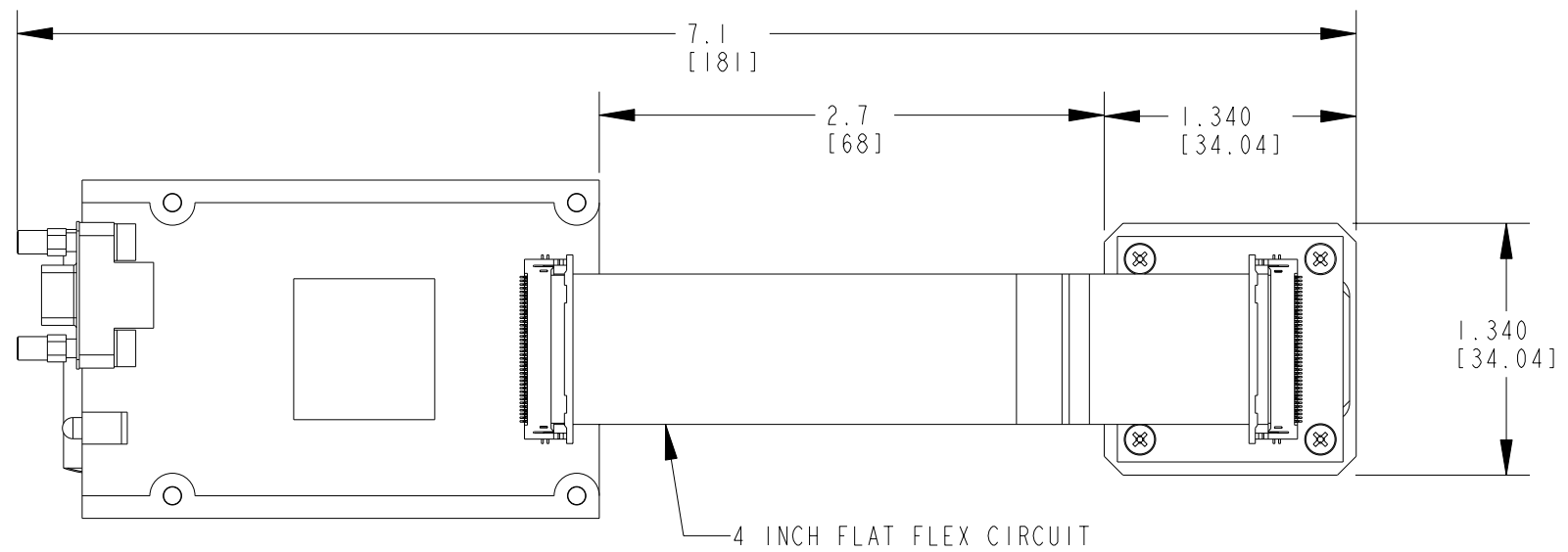
- 1) ALL DIMENSIONS INCHES [MILLIMETERS].
- 2) INTERPRET DRAWING AS PER ASME Y14.5M - 1994.
- 3) SEE ADDITIONAL SHEETS FOR DETAILS.
- 4) FOR FINAL ASSEMBLY:  
TORQUE ITEMS 10, 11, 12 TO 2.0±.25 IN-LBS.



TITLE  
**PL-B OEM**  
(1.2x1.2 SEM)- GIGE ASSEMBLY

THE INFORMATION CONTAINED IN THIS DOCUMENT IS CONFIDENTIAL AND SHALL NOT BE MADE PUBLIC OR COPIED OR USED AS THE BASIS FOR THE MANUFACTURE OR SALE OF ITEMS UNLESS SPECIFICALLY AUTHORIZED IN WRITING BY Pixelink. THIS DOCUMENT IS THE PROPERTY OF Pixelink, OTTAWA, ONTARIO AND IS SUBJECT TO RETURN ON DEMAND

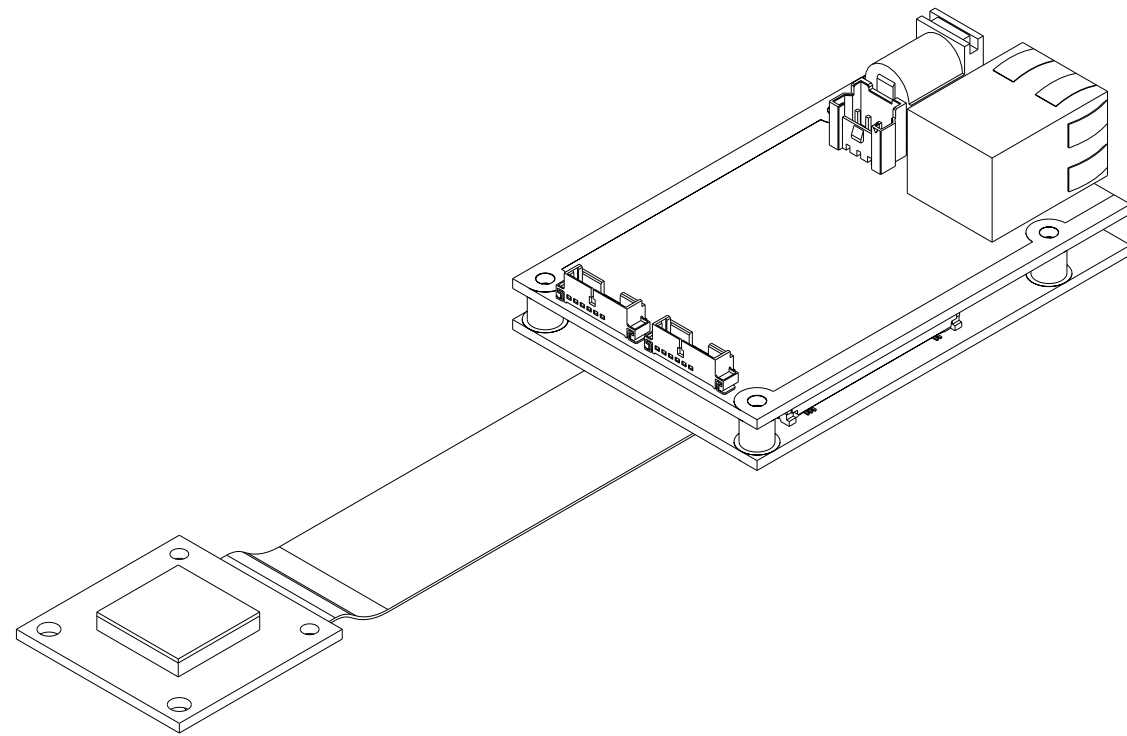
DRAWN BY: CMP	DRAWING NUMBER V0410	REVISION 01
APPROVED BY: CMP DESIGN	SCALE: 1.000	SHEET 1 OF 3
DATE PRODUCED: 29 OCT 2007	SHEET SIZE: B	



TITLE  
**PL-B OEM**  
(1.2x1.2 SEM)- GIGE ASSEMBLY

THE INFORMATION CONTAINED IN THIS DOCUMENT IS CONFIDENTIAL AND SHALL NOT BE MADE PUBLIC OR COPIED OR USED AS THE BASIS FOR THE MANUFACTURE OR SALE OF ITEMS UNLESS SPECIFICALLY AUTHORIZED IN WRITING BY PixelINK. THIS DOCUMENT IS THE PROPERTY OF PixelINK, OTTAWA, ONTARIO AND IS SUBJECT TO RETURN ON DEMAND

DRAWN BY: CMP	DRAWING NUMBER V0410	REVISION 01
APPROVED BY: CMP DESIGN	SCALE: 1.000	SHEET 2 OF 3
DATE PRODUCED: 29 OCT 2007	SHEET SIZE: B	



SHOWN WITHOUT C-MOUNT



TITLE  
**PL-B OEM**  
 (1.2x1.2 SEM)- GIGE ASSEMBLY

THE INFORMATION CONTAINED IN THIS DOCUMENT IS  
 CONFIDENTIAL AND SHALL NOT BE MADE PUBLIC OR  
 COPIED OR USED AS THE BASIS FOR THE MANUFACTURE  
 OR SALE OF ITEMS UNLESS SPECIFICALLY AUTHORIZED  
 IN WRITING BY Pixelink. THIS DOCUMENT IS  
 THE PROPERTY OF Pixelink, OTTAWA, ONTARIO  
 AND IS SUBJECT TO RETURN ON DEMAND

DRAWN BY: CMP	DRAWING NUMBER V0410	REVISION 01
APPROVED BY: CMP DESIGN	SCALE: 1.000	SHEET 3 OF 3
DATE PRODUCED: 29 OCT 2007	SHEET SIZE: B	