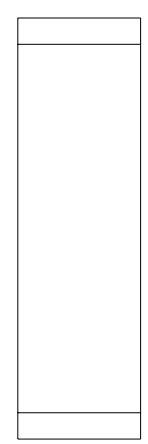
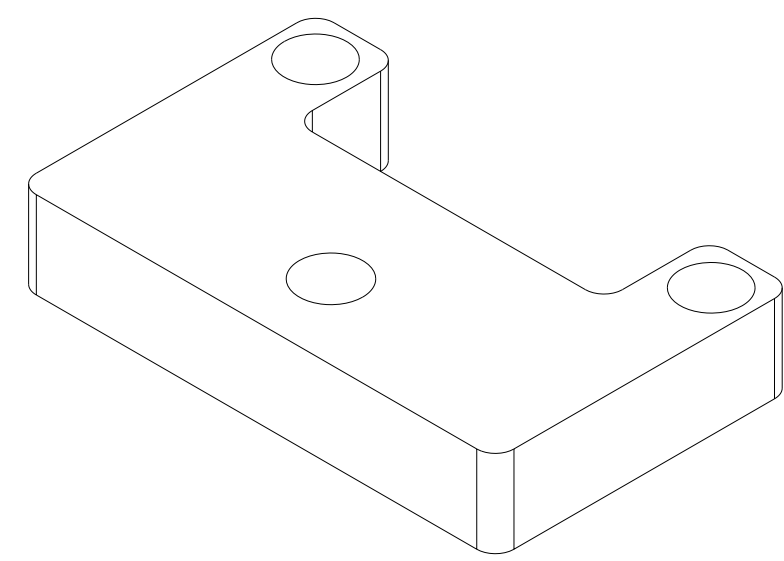
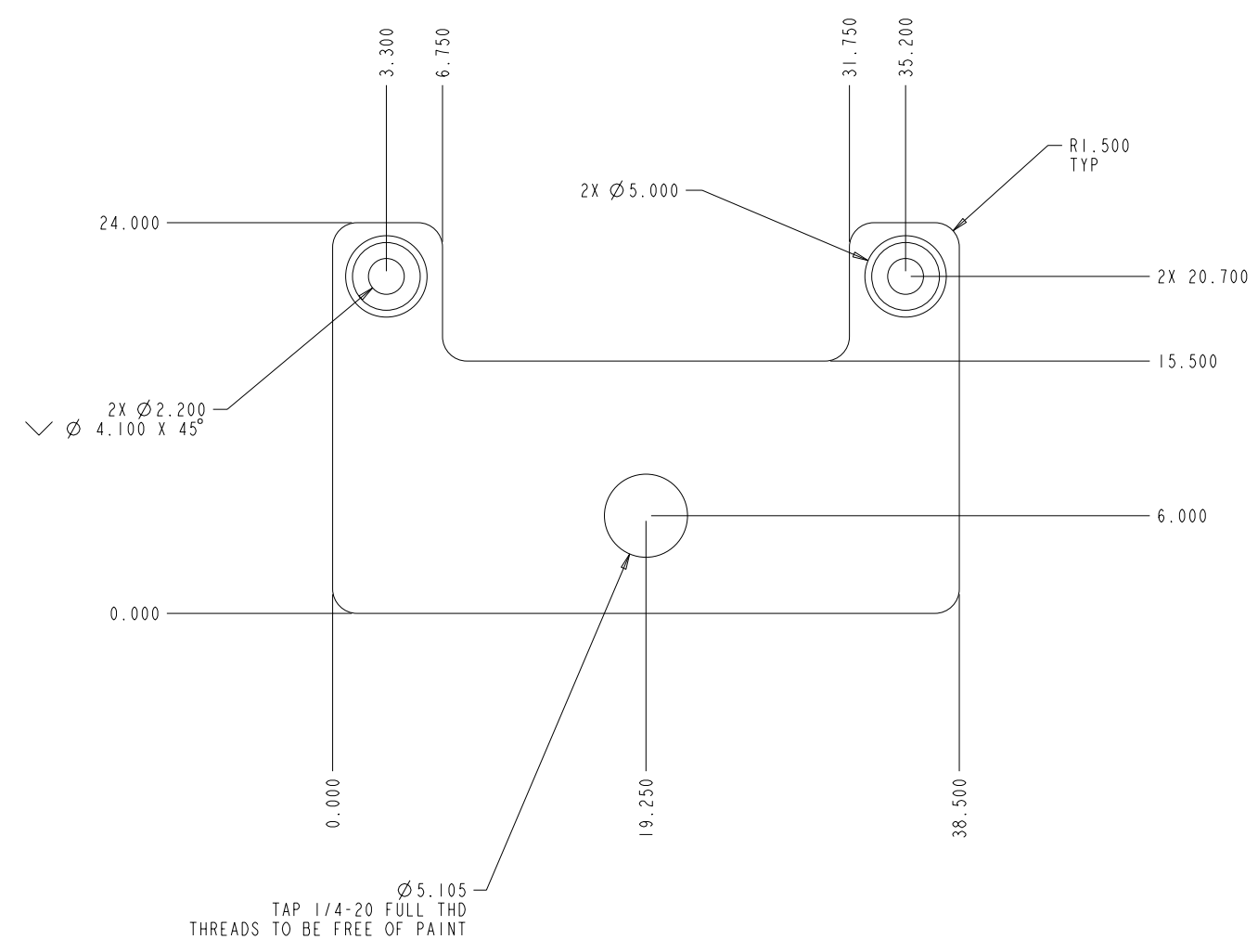
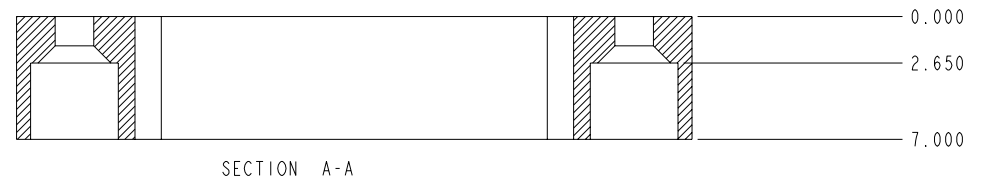


NOTES:

- 1) PixeLINK PART NUMBER: 06833-01
- 2) FINISHED PART SHALL BE RoHS COMPLIANT
- 3) ALL DIMENSIONS ARE IN MILLIMETERS
- 4) INTERPRET DRAWING AS PER ASME Y14.5M - 1994
- 5) REMOVE ALL SHARP EDGES AND BURRS
- 6) MATERIAL: ALUMINUM 6061-T651
- 7) FINISH: CLEAR IRRIDITE THEN POWDER PAINT WITH SHERWIN-WILLIAMS PA-0191-LT
- 8) TAP HOLES AS INDICATED
- 9) FOR IGES MODEL SEE IGES FILE V0509

REVISION		
REV	DESCRIPTION	DATE
01	PROTOTYPE RELEASE	19DEC13



PERMANENTLY MARK PART NUMBER AND REVISION IN APPROXIMATE LOCATION INDICATED, USING .09/.12 HIGH CHARACTERS.

THIS DRAWING CONTAINS CONFIDENTIAL INFORMATION WHICH IS PROPRIETARY TO PixeLINK. NO PART OF ITS CONTENTS MAY BE USED, COPIED, DISCLOSED OR CONVEYED TO ANY PARTY IN ANY MANNER WHATSOEVER WITHOUT PRIOR WRITTEN PERMISSION FROM PixeLINK.

	DO NOT SCALE DRAWING REMOVE BURRS & SHARP EDGES DIMENSIONS IN MILLIMETERS UNLESS OTHERWISE SPECIFIED	DRW MM 19DEC13	METAK SYSTEMS TITLE: PL-D STRAIGHT 1/4-20 MOUNT DRAWING NUMBER: V0509-01 SCALE 5.000 SHEET 1 OF 1
	TOLERANCES: .X ± .508 .XX ± .254 .XXX ± .127 ANGLES: +/- 0° 30'	DES MM 19DEC13	
ASSY	MATERIAL SEE NOTES		
PRODUCT	FINISH SEE NOTES		
INITIAL APPLICATION			