



one™

and Wireless for All

USER MANUAL



INDEX

Safety Notice	3
Intro	4
Overview	5
Operation	6
Removing the battery	7
Charging the battery	8
Adjusting Needle Depth	9
Additional Information & Troubleshooting	10

SAFETY NOTICE



CLASS III SYMBOL

A Class III appliance is designed to be supplied from a separate/safety extra-low voltage (SELV) power source. The voltage from a SELV supply is low enough that, under normal conditions, a person can safely come into contact, without the risk of electrical shock. The extra safety features built into Class I and Class II appliances are, therefore, not required. For medical devices, compliance with Class III is not considered sufficient protection, and further, more-stringent regulations apply to such equipment.

TECHNICAL DATA	
Operating Voltage:	5-12V DC
Current:	UP TO 1.0A
Ambient Temperature:	+10 to +35 °C
Relative Humidity:	30 to 75%
Dimensions (Ø X L):	H124 x W36.7
Weight:	Approx. 213g (7.5oz)
Battery Cell:	Panasonic NCR 18500A



BARRIER PROTECTING YOUR MACHINE

We strongly suggest the use of barrier products to protect your machine. For a visual demonstration of barrier protection methods, please visit our FK Irons YouTube channel.

This device is only for use by trained tattoo artists and not for use by children or persons of reduced physical, sensory or mental capabilities.

ONE INTRO



FK ONE

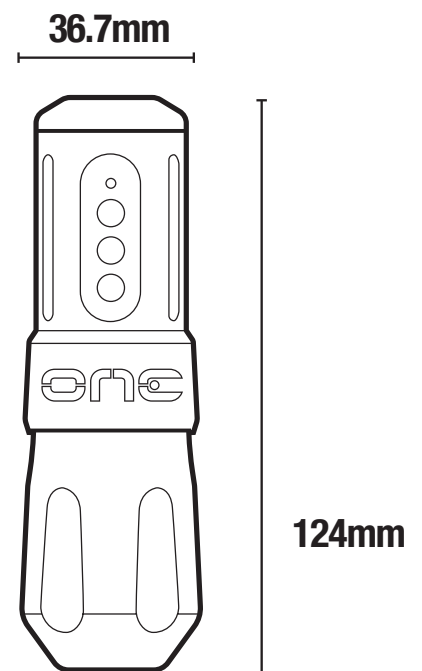
Premium quality. Sophisticatedly simple.

OVERVIEW



SPECIFICATIONS

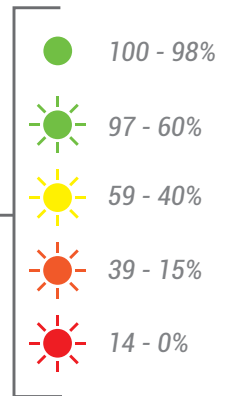
- Operating Voltage: 5-12V
- Increment/decrement voltage interval: 0.5V*
- Maximum output current: 1A
- Charger Input: USB-C
- Size: H 124mm x W 36.7mm
- Weight: Without battery 195g (6.87oz)
with battery 213g (7.5oz)
- Battery Life: ~ 6-10 Hours
(based on operating parameters)
- Maximum permitted altitude to use the machine is 2000 m



OPERATION



Battery level check: Press and hold power button until white. A blinking colored light indicates remaining charge.



LED indicator

Voltage up

Center button

Voltage down

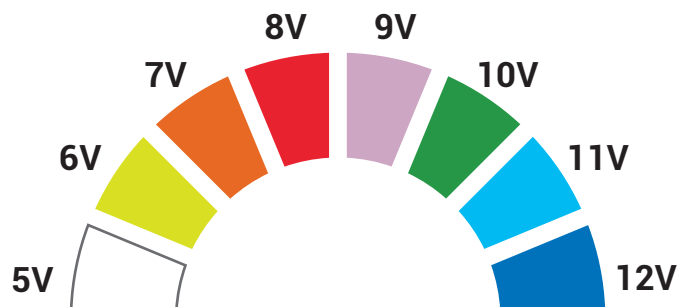
Bluetooth connection for an update for FK ONE:

1. Press **UP+CENTER** buttons simultaneously to activate the Bluetooth, where the LED will turn **DARK BLUE** to indicate that the Bluetooth turned on.
2. Use DarkLab application to Update FK ONE.
3. After the update is completed, the Bluetooth is disconnected by **DEFAULT**.



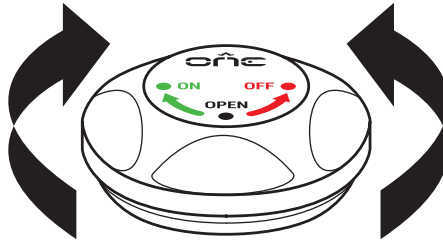
OPERATING THE ONE

Voltage Selection: Using the Voltage up and Voltage down buttons you can cycle through the different setting. A solid color equals a whole value (Ex. Solid green indicates 10V). Blinking color is a half increment (Ex. Flashing green indicates 10.5V). Use the power button to start and stop the machine.



REMOVING THE BATTERY

Twist clockwise to close/activate battery.



Twist counter-clockwise to open. Push down & keep twisting counter-clockwise to deactivate battery. NOTE: Cap is shipped in the OFF position.

Twist the cap as shown and remove.



Slide battery out of battery housing.

CHANGING THE BATTERY

The ONE is compatible with the Panasonic NCR 18500A Flat-Top Battery. To detach the cap, ensure you have a firm grip on the body of the ONE and Grip. Turn the cap counter-

clockwise and pull away. Slide the battery out of the battery housing. To replace battery, slide new battery into housing. Battery must sit correctly to ensure power electric leads

align correctly. Avoid contact with the ONE power leads while changing battery.

Turn power off before removing battery from machine.

CHARGING YOUR BATTERY

HOW TO
CHARGE
YOUR
BATTERY

First, plug the eFest Slim K2 charger into a wall outlet using the included power adapter. Next, insert the Panasonic 18500A battery into one of the charging bays on the eFest Slim K2 charger. Be sure to insert the battery with the positive (+) end facing up, and the negative (-) end facing down. The eFest Slim K2 charger will automatically detect the

type of battery you have inserted and display the battery life on the screen. Once the battery is fully charged, the eFest Slim K2 charger will automatically stop charging and display a message indicating that the charging process is complete. You can then remove the battery from the charger and use it as needed.

ADJUSTING NEEDLE DEPTH

ADJUSTING
NEEDLE
DEPTH

To adjust needle depth, hold the machine body while turning the Grip. **A counter-clockwise turn decreases depth, while a clockwise turn increases depth (also known as needle hang).**

Each time you turn the grip you can feel the tactile feedback of the ratcheting mechanism. Each "click" displaces your needle 0.2 mm and allows you to set your needle precisely without involuntarily turning while tattooing.

Increases needle depth



Turning the grip as shown increases needle depth.

Decreases needle depth



Turning the grip as shown decreases needle depth.

ADDITIONAL INFORMATION

VOLTAGE PARAMETERS

While voltage is a parameter that will vary from artist to artist, the ONE has been tested to operate at a minimum voltage of 5 Volts to a maximum voltage of 12 Volts.

Depending on the type of needle configuration, or brand you use, feel free to adjust the voltage to obtain the desired performance.

WARRANTY

Darklab warrants that the device will perform efficiently when used as intended. Should this product prove to be defective due to manufacturing issues, Darklab will repair/replace the device free of charge. This warranty will be void if the device shows signs of having been tampered, disassembled, handled roughly, dropped, overexposed to moisture or damage resulting in compromised functionality.

HANDY TIPS

The following tips will help you get the most out of your ONE and avoid potential issues:

- Do not exceed the suggested voltage
- Use only FDA-approved cold sterilization solutions for disinfection
- **NOT AUTOCLAVABLE**
- ***DO NOT USE ANY PRODUCT CONTAINING HYDROGEN PEROXIDE TO DISINFECT MACHINE.***

TROUBLESHOOTING

1.- Machine Manufacturer

FK Irons: 1771 NW 79th Avenue, Doral, Florida 33126

2.- Servicing Your Machine

As for any mechanical device, FK Irons strongly suggests that you service your device once a year to ensure all working parts are working as expected. This ensures the optimal condition of all working parts, including internal machine clean up and fresh lubrication. Routine servicing will ensure that your machine remains functioning as intended. Service is subject to fees.

3.- Warning

Disconnect machine from any power source before making any adjustments.

For service inquiries, please contact service@FKIrons.com.

For additional tips and tutorials, please visit [Youtube.com/FKIrons](https://www.youtube.com/FKIrons)