

FIGURE 1

Receive Idea	<ul style="list-style-type: none"> • Receive one or more source files describing a user idea 	<u>202</u>
Prove Existence of Idea	<ul style="list-style-type: none"> • Create single idea file (concatenate if two or more source files) • Generate hash of idea file (e.g., SHA-256) • Place hash on blockchain, store hash address 	<u>204</u>
Prove Idea Publicly Accessible	<ul style="list-style-type: none"> • Add source file(s) to publicly served database • Store Idea File and original source docs on private blockchain or other memory • Capture database state or representation thereof and store in memory (or on private blockchain) • Place hash on private (or public) blockchain 	<u>206</u>

FIGURE 2

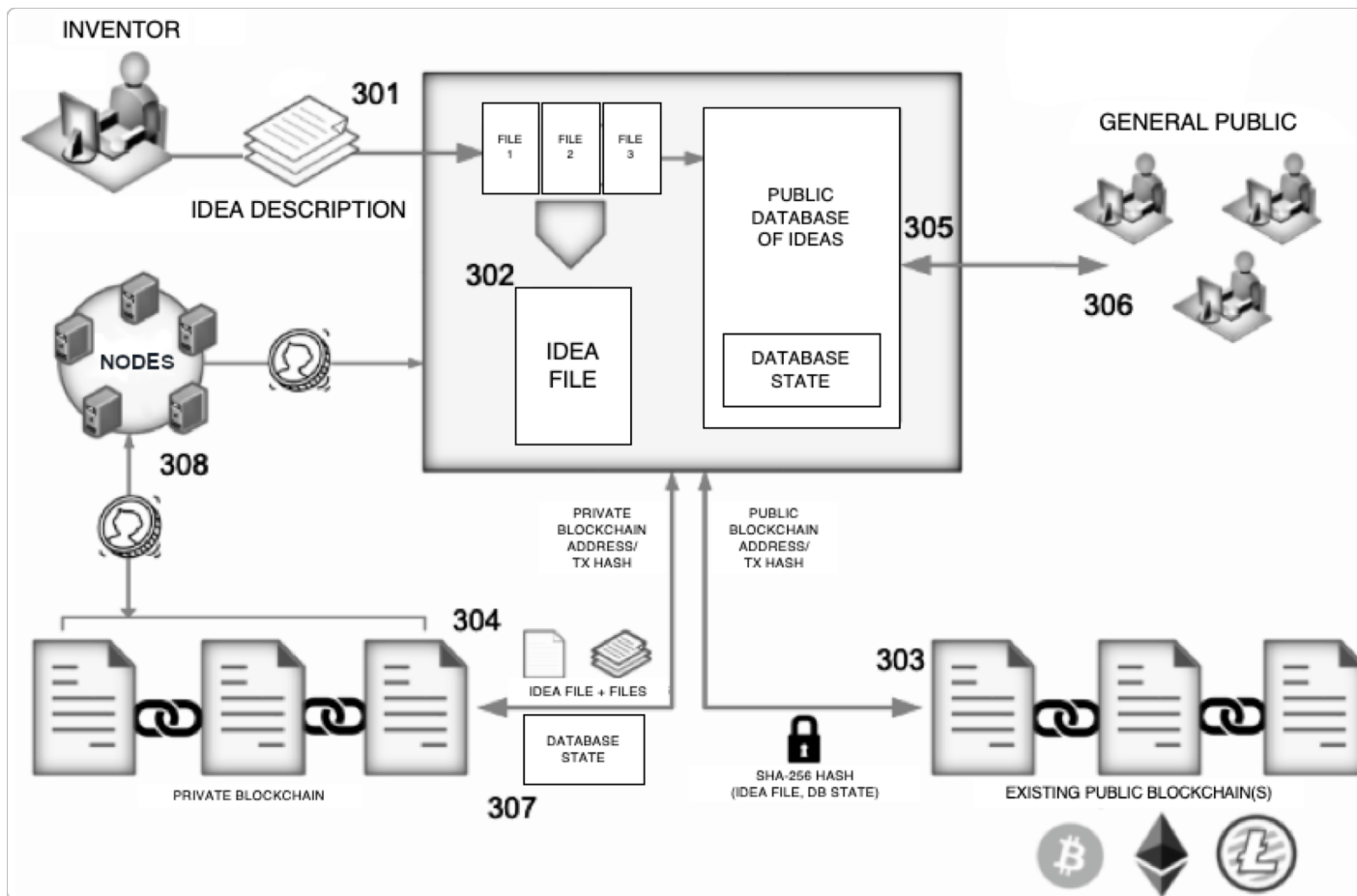


FIGURE 3

Receive Idea	<ul style="list-style-type: none"> • Receive one or more source files describing a user idea 	<u>402</u>
Prove Existence of Idea	<ul style="list-style-type: none"> • Create single idea file (concatenate if two or more source files) • Generate hash of idea file (e.g., SHA-256) • Place hash on blockchain, store hash address 	<u>404</u>
Prove Idea Publicly Accessible	<ul style="list-style-type: none"> • Add source file(s) to publicly served database • Append idea file to a state file • Generate hash of the state file • Place state file hash on private (or public) blockchain 	<u>406</u>

FIGURE 4

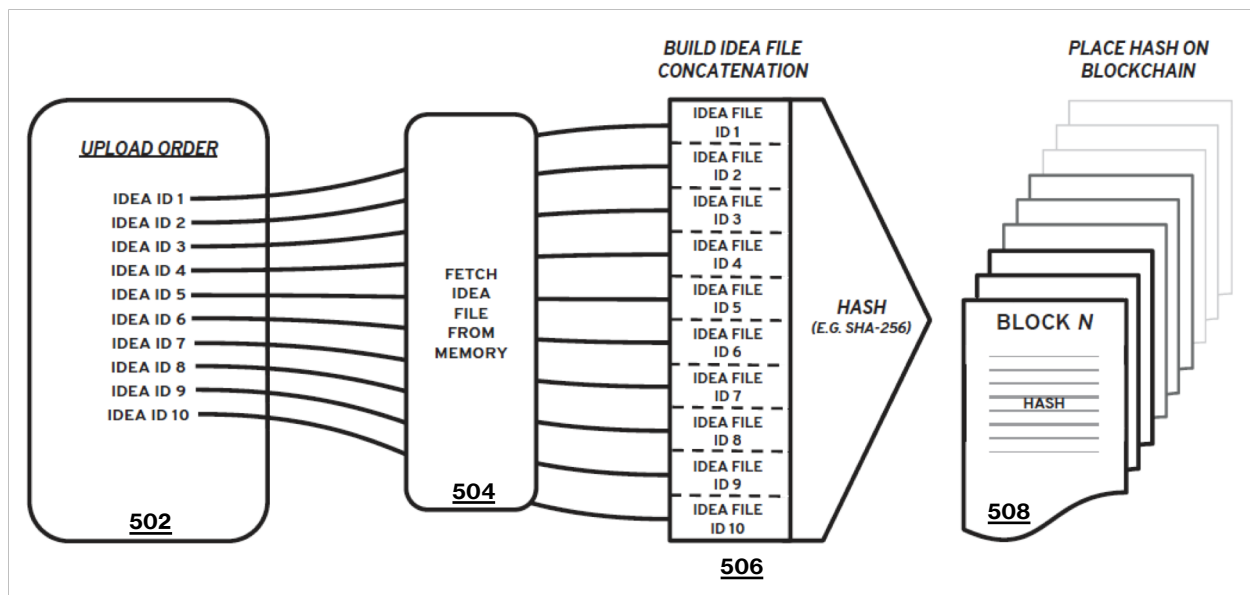


FIGURE 5