

OPERATION INSTRUCTIONS

FOR THE FOLLOWING MODELS

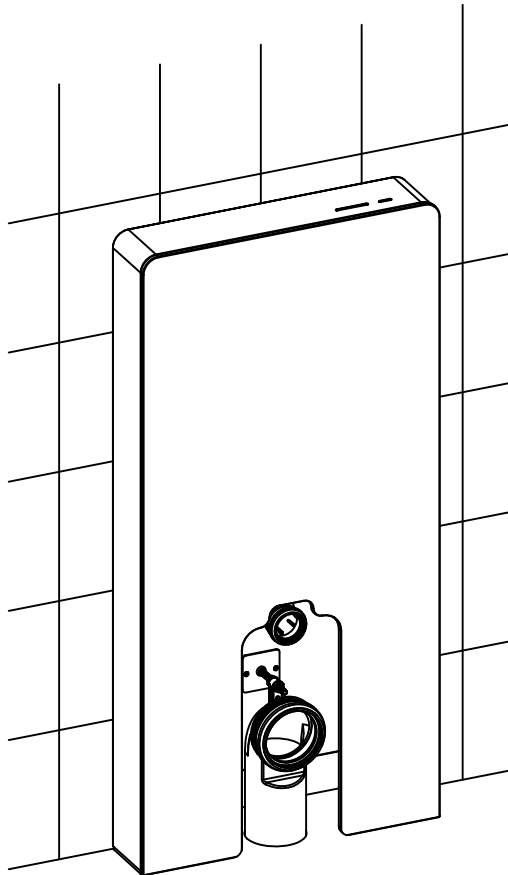
WHITE

ALTARETROFIT+
WALL FACED PAN
CODE: AT210RC-WT

BLACK

ALTARETROFIT+
WALL FACED PAN
CODE: AT210RC-BL





Sensor Cabinet Cistern Installation
Wall Faced Version

Content

Item List pg. 3



















Technical Specifications pg. 5

Technical Drawing, Inlet System & Drainage System pg. 6

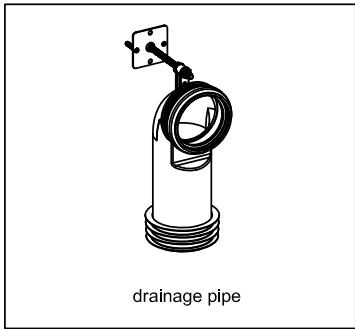
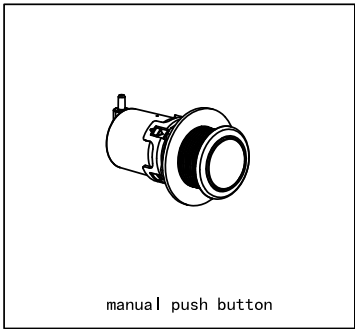
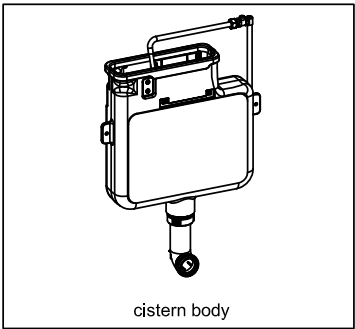
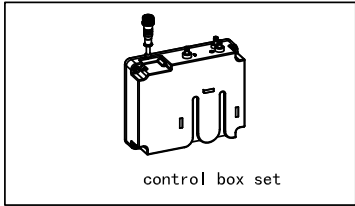
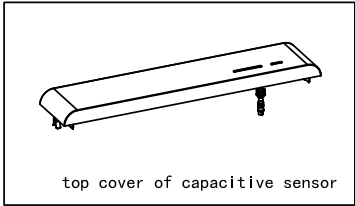
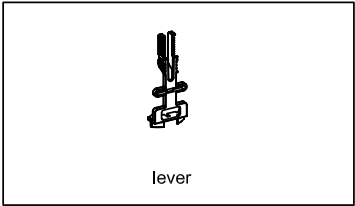
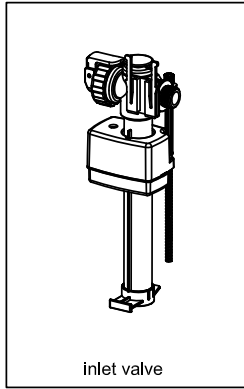
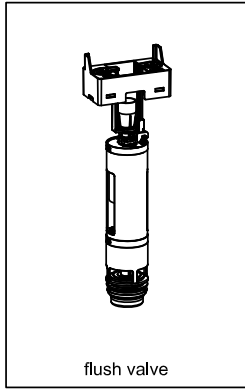
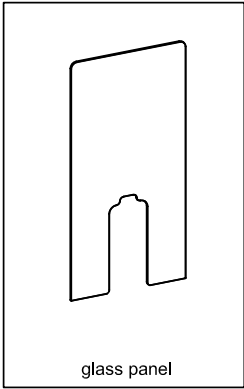
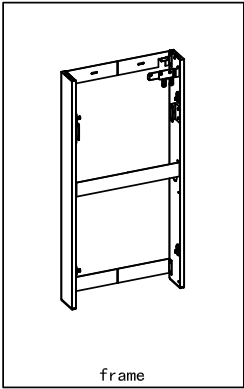
Cistern Installation pg. 7

Maintenance & Daily Care pg. 16

Item List

Item list	Names	Specification	Quantity	Item List	Names	Specifications	Quantity
	rubber seal	Ø110	1		expansion nut	Ø8*40	2
	straight flush pipe		1		screw	ST4.8*45	2
	flush pipe		1		washer (small)	Ø11*1.2	2
	drainage pipe		1		washer (big)	Ø16*1.5	2
	rubber seal		1		M8 bolt		1
	full flushing air hose	transparent	1		M8 nut		2
	half flushing air hose	blue	1		square plate		1
	flush pipe		1		expansion nut	Ø6*30	2
	rubber seal on above pipe	Ø60	1		screw	ST4.2*34	2

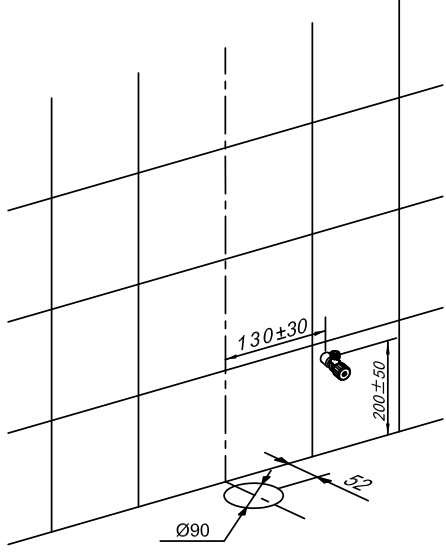
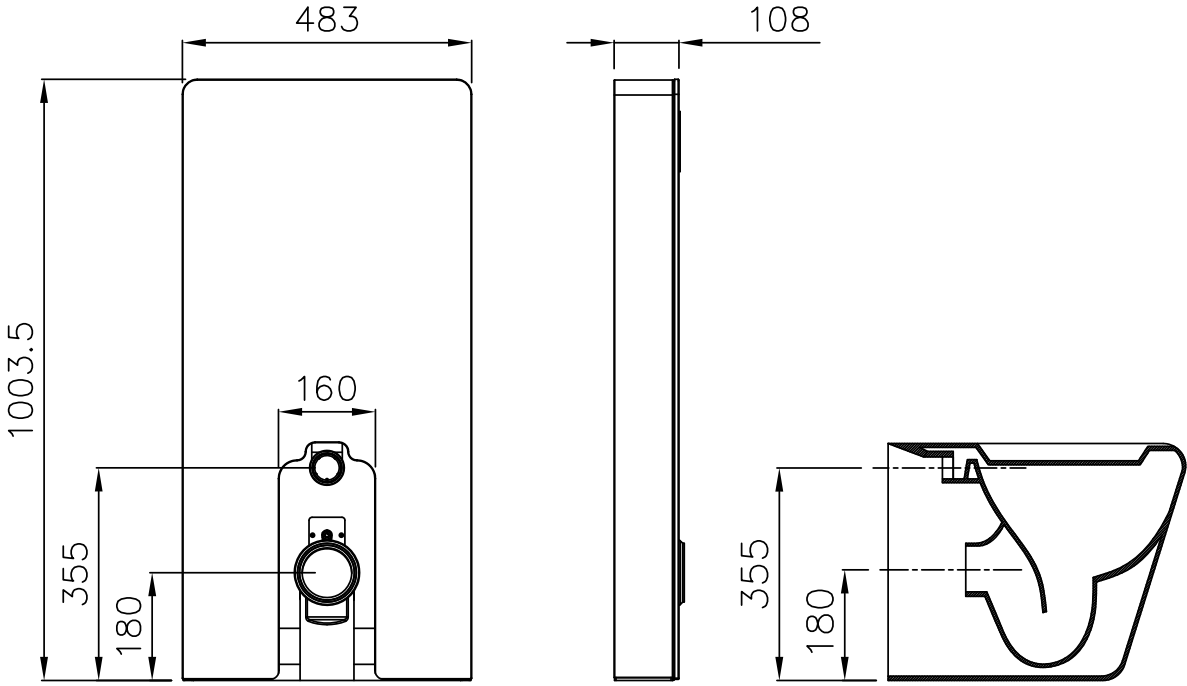
Item List



Technical Specifications

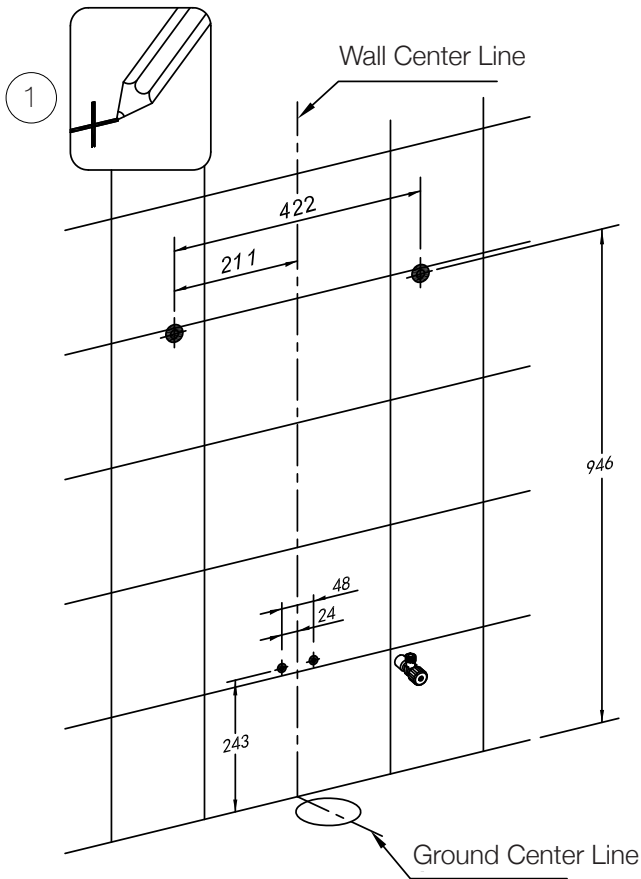
Name	ALTARETROFIT+ WF White / Black	
Model	White : AT210RC-WT Black : AT210RC-BL	
Technical Specifications	rated voltage	6V
	ambient temperature	3~40°C
	water supply pressure	0.07~0.75MPa
	water supply temperature	4~35°C
	waterproof rating	IPX4
	dimension	1003.5mm X 483mm X 108mm

Technical Drawing Inlet & Drainage System

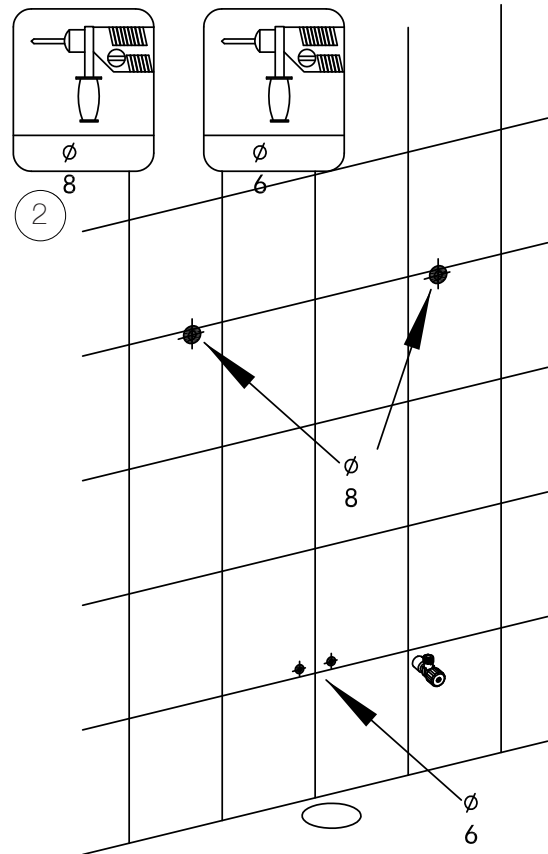


Cistern Installation

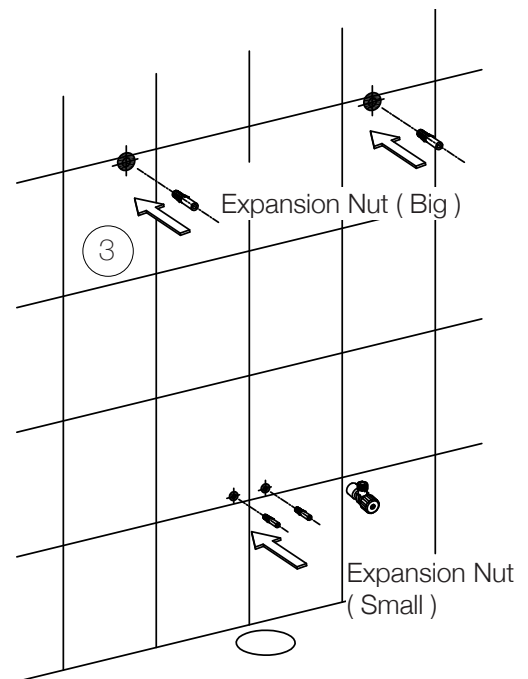
1



As shown in the diagram, draw the centerline of the ground and wall according to the center of the ground drain hole, and then mark 4 points on the corresponding position above

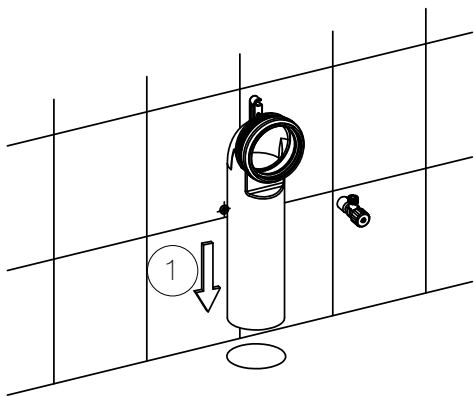


Drill onto the marked points (The depth of the holes have to be longer than the expansion nuts. Hole diameter as indicated above). Insert the expansion nuts into the holes after.

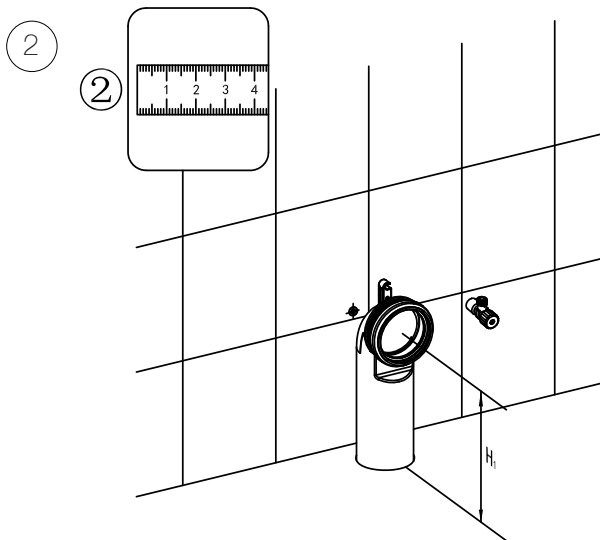


Insert the expansion nuts into the drilled holes.

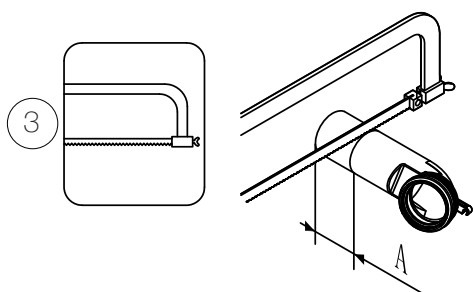
2



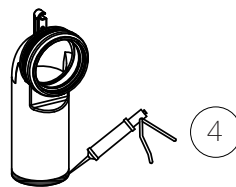
Insert the drainage pipe into the hole on the floor.
(Ensure the pipe is thoroughly inserted)



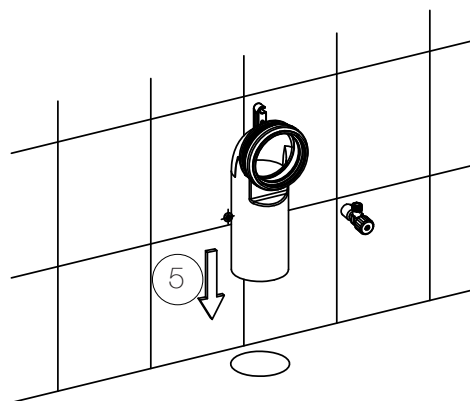
Measure the length H1 between the floor and the center of the hole in the drainage pipe.



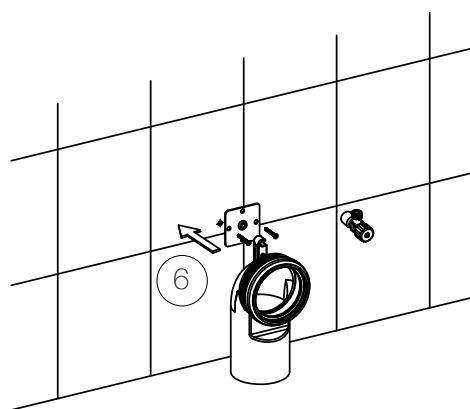
$$A = H_1 - 180$$



Apply glass cement on the bottom ring of the drainage pipe.

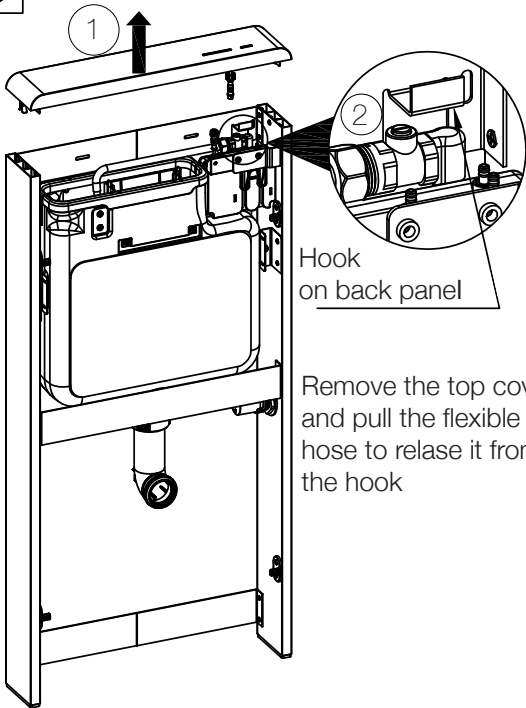


Reinsert the drainage pipe into the hole on the floor.
(Ensure the pipe is thoroughly inserted)

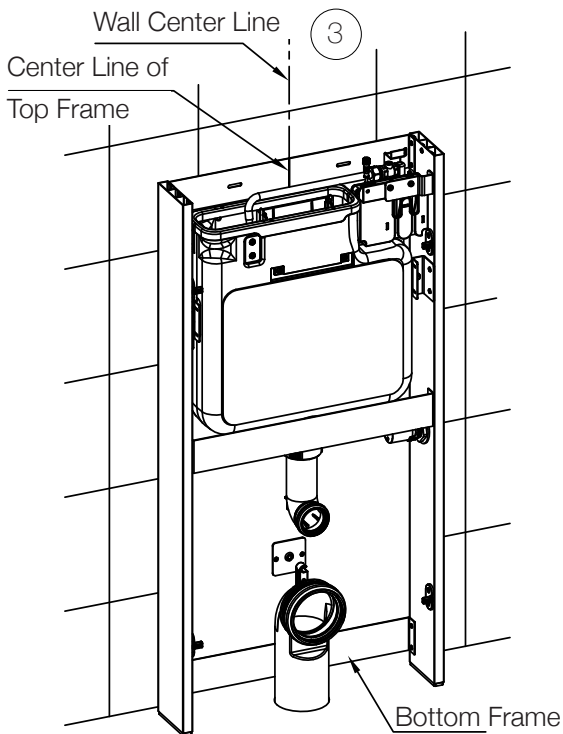


Fix the screw plate on the wall with the small screws.

3

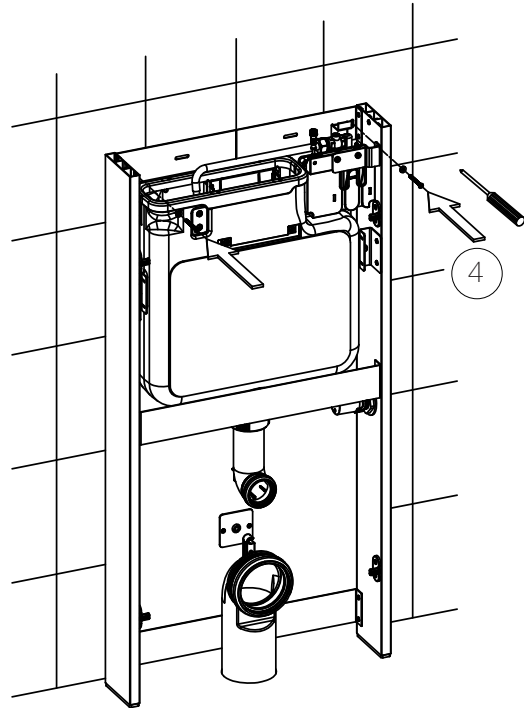


Remove the top cover, and pull the flexible hose to release it from the hook

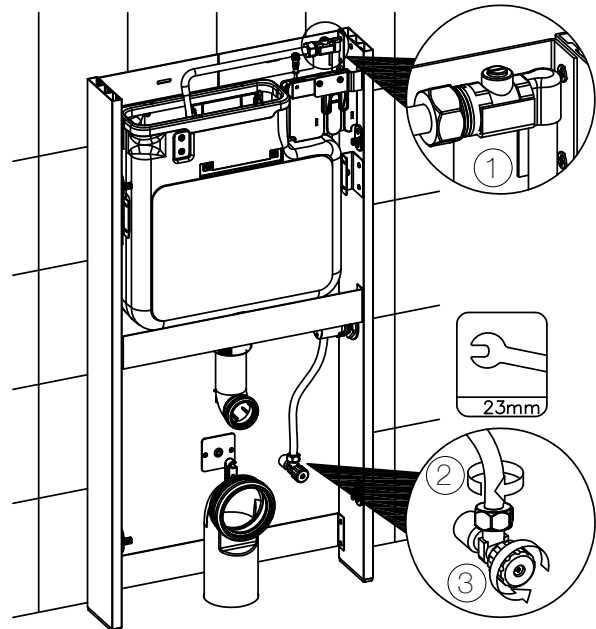


Lean the cistern frame against the wall while aligning its center line with the wall center line.

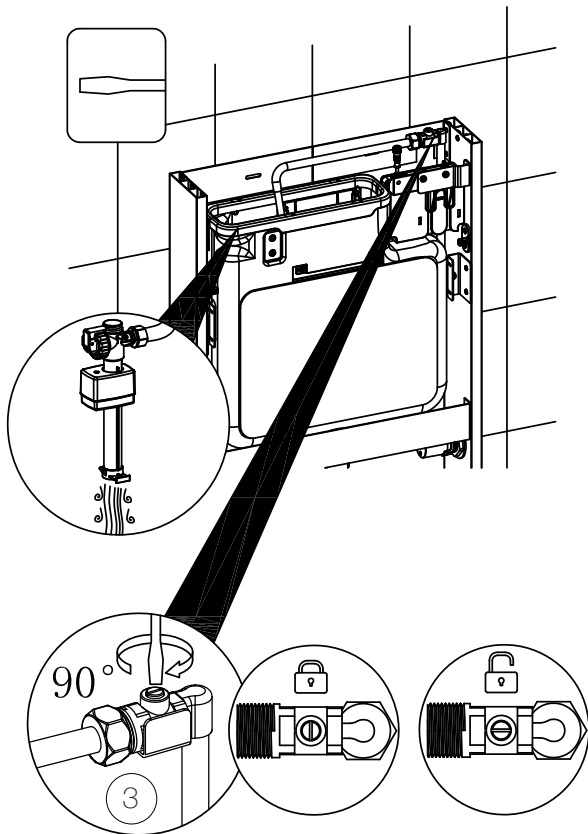
4



Insert the screws (Big) into the expansion nuts on the wall and mount the cistern body on the wall

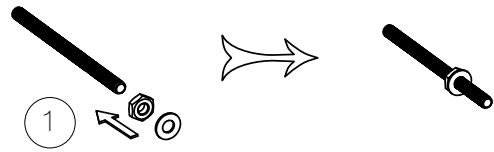


Insert the flexible hose into the hook on the backpanel, then connect the flexible hose to the stop valve and turn it open.

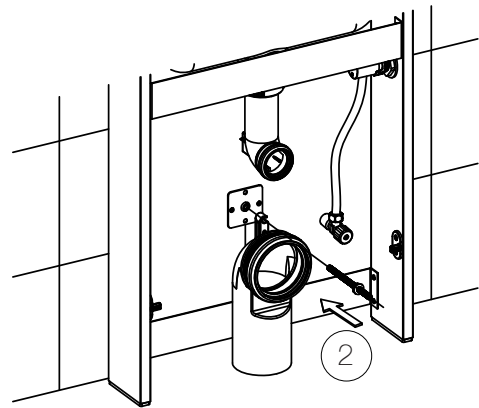


Open the stop valve on the hose to ensure that it is in working order with water entering the cistern tank. Also inspect if there are any leakage in the pipe and cistern

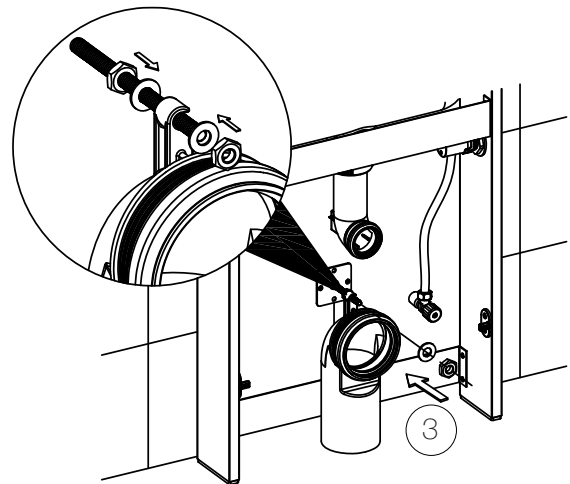
5



Screw the nut and washer onto the middle of the bolt.

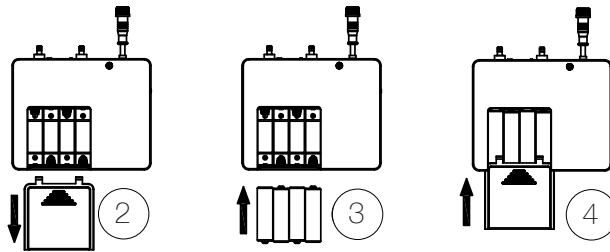
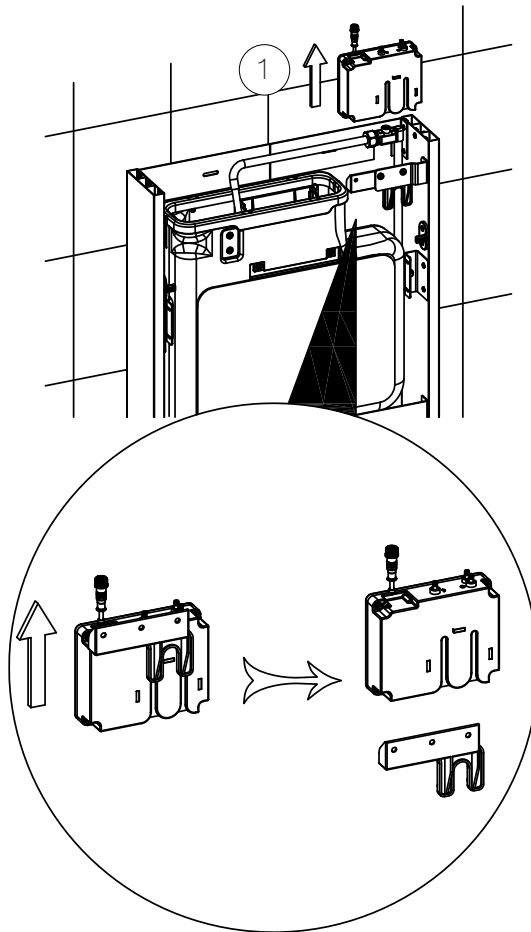


Screw the bolts onto the square plate

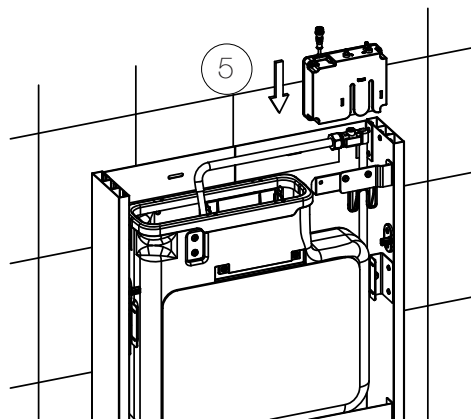


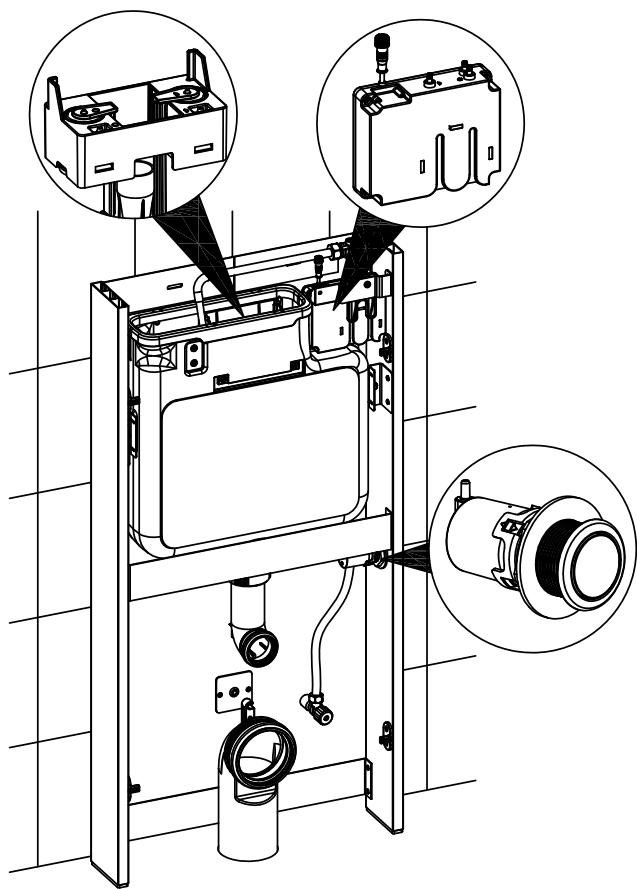
Mount the drainage pipe into the wall with the square plate.

6



Mark: All batteries should be AAA batteries.
Never mix old and new batteries in the appliance



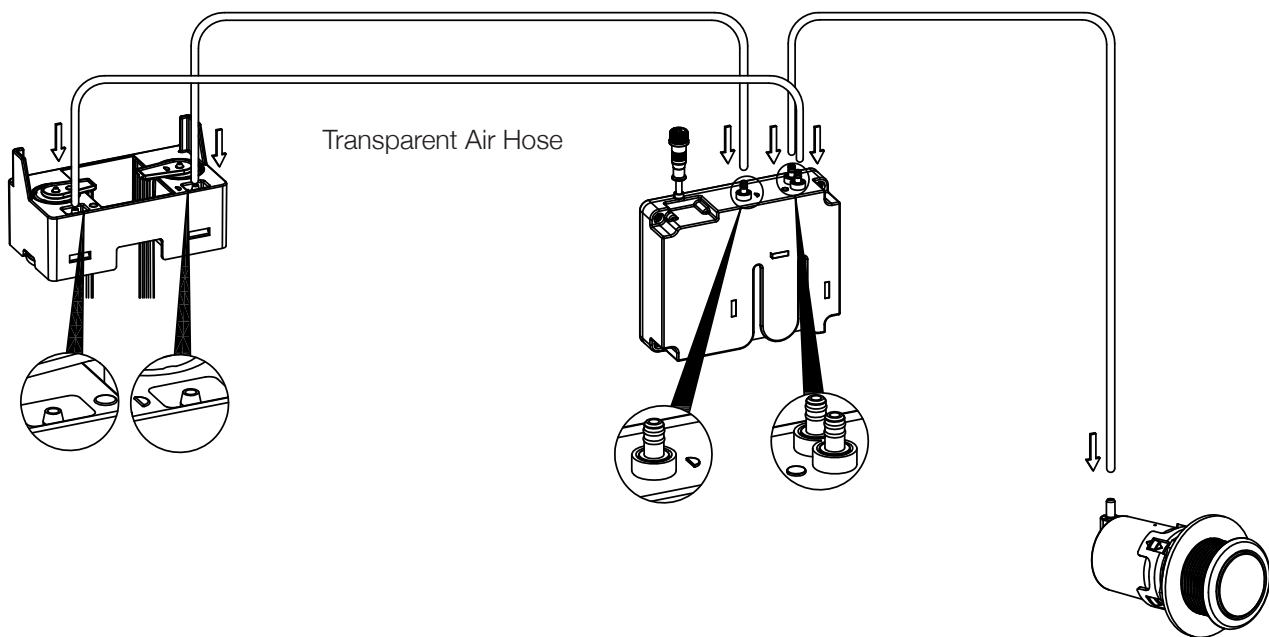


6

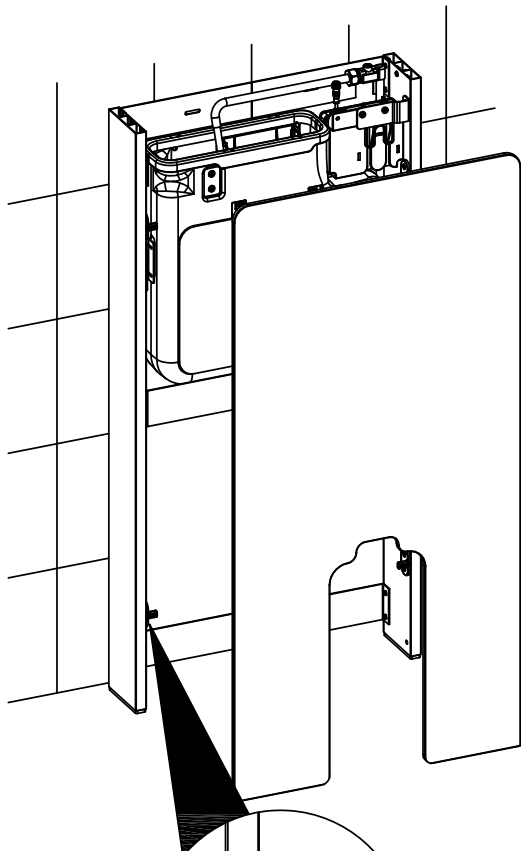
Blue Air Hose

Red Air Hose

Transparent Air Hose

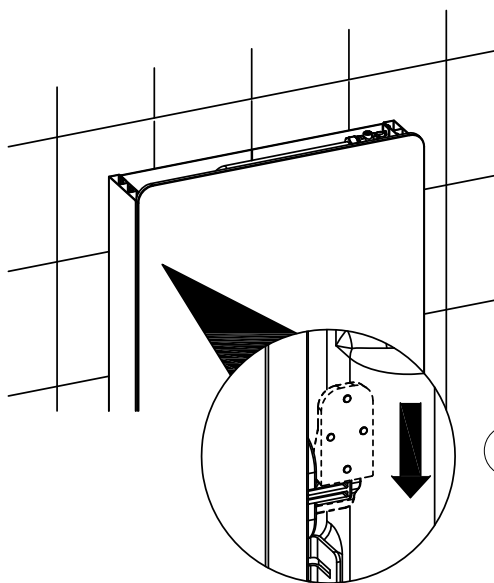


7



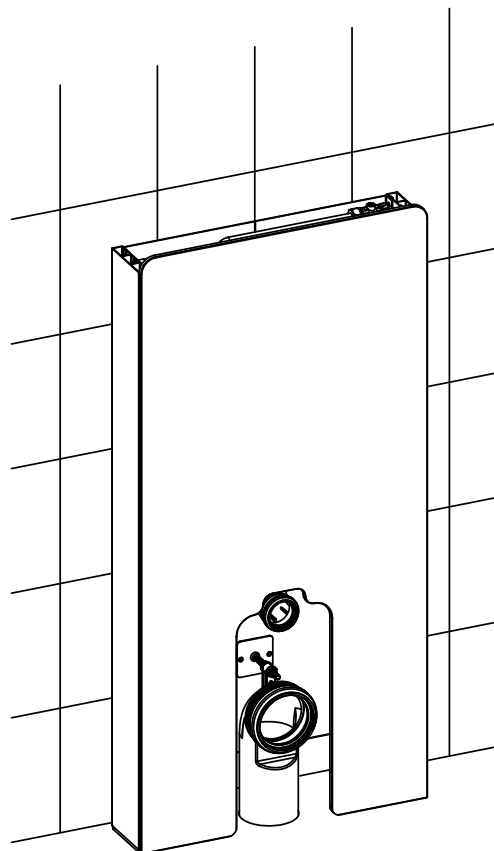
Glass support buckle mounted on glass (4pcs)

1

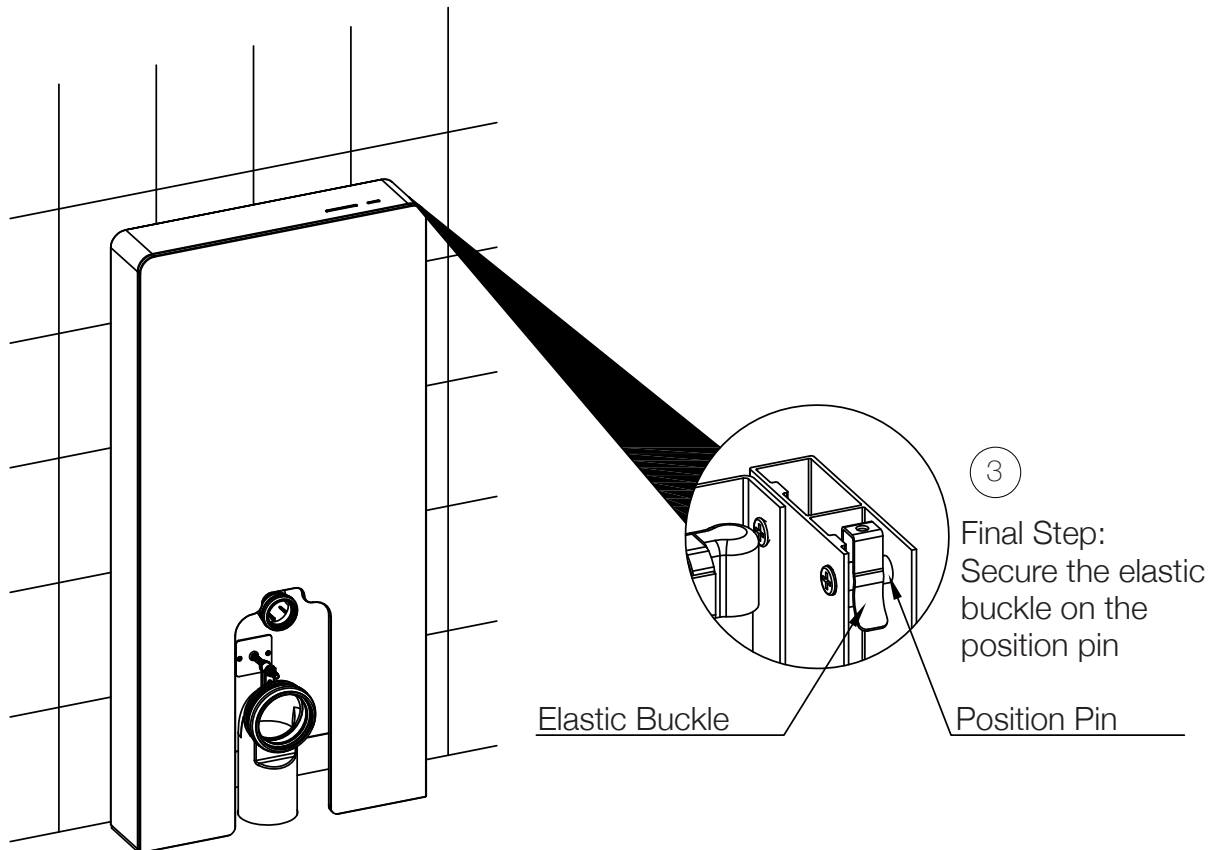
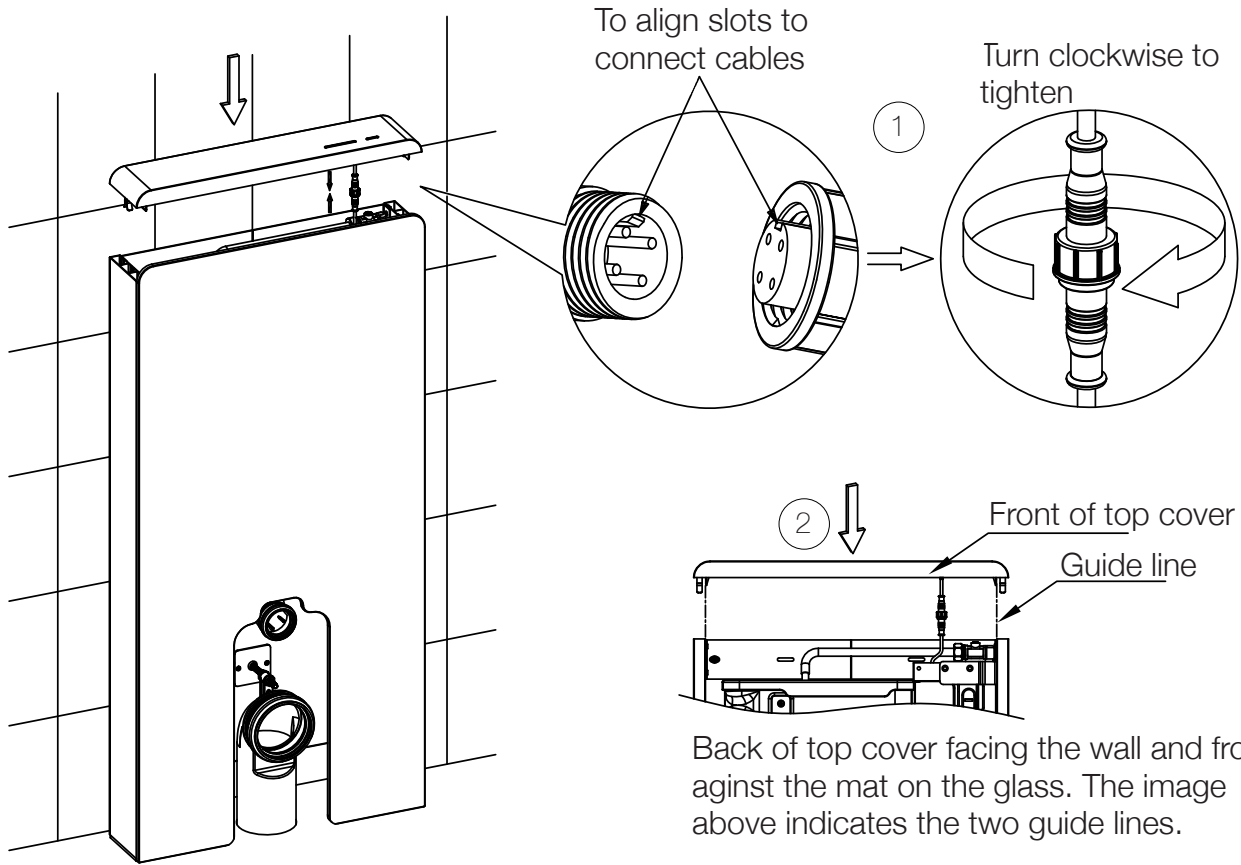


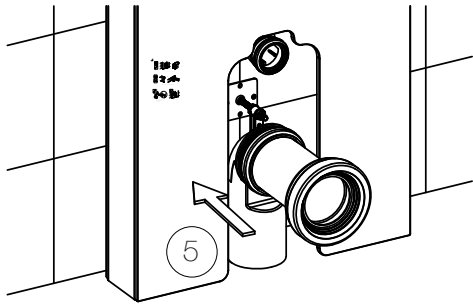
2

Install the glass into the frame and push the glass support buckle until the glass is mounted firmly

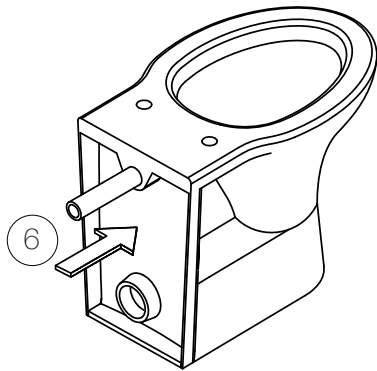


Top Cover Installation





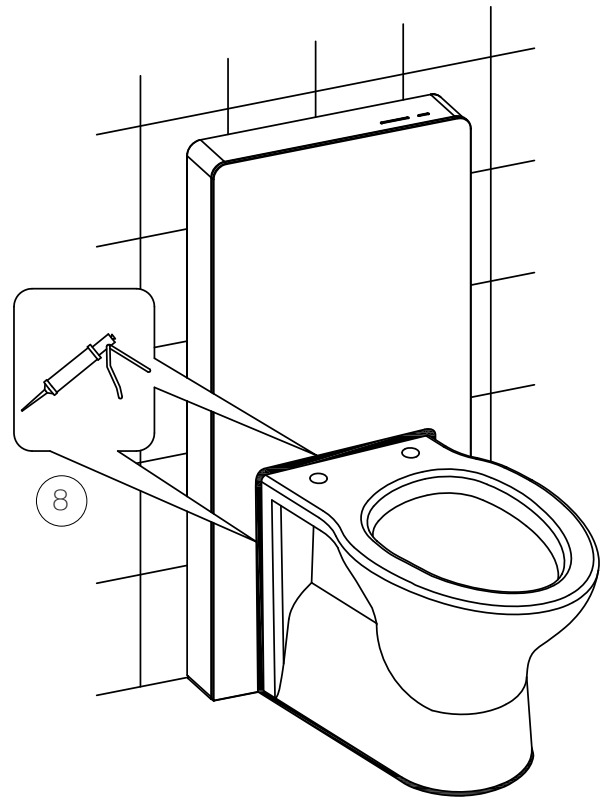
Install the flush pipe into the cistern.



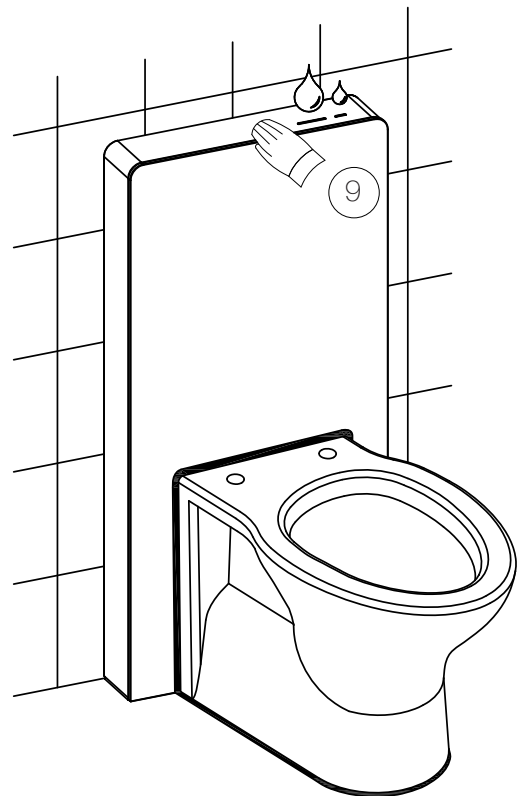
Install the flush pipe into the toilet.



Install the toilet



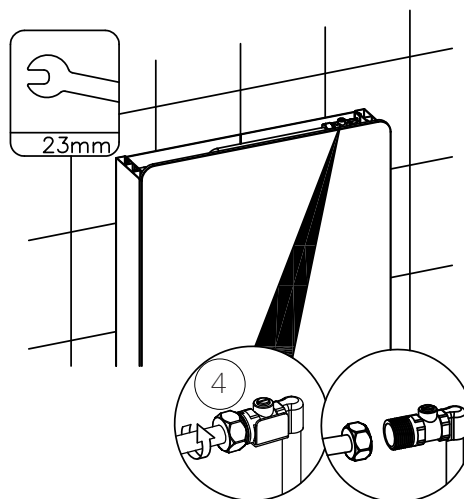
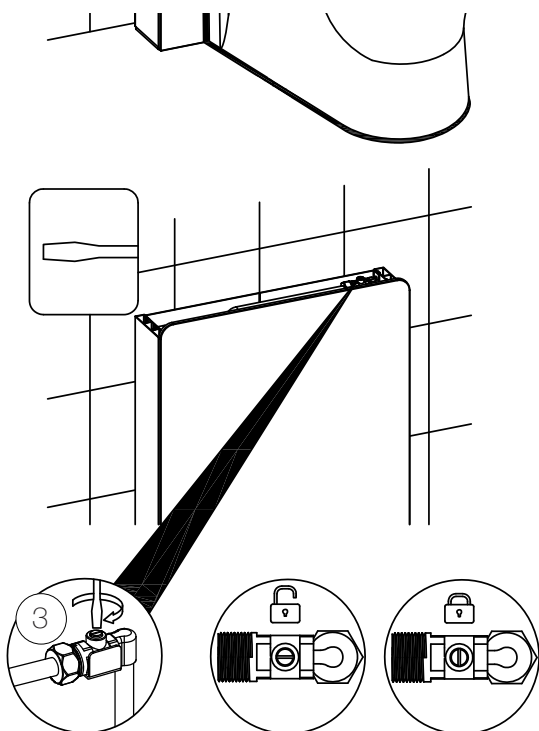
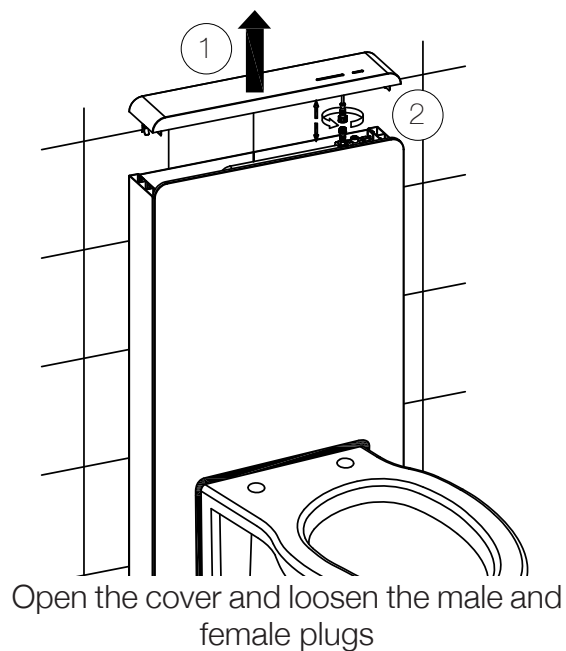
Apply glass cement.



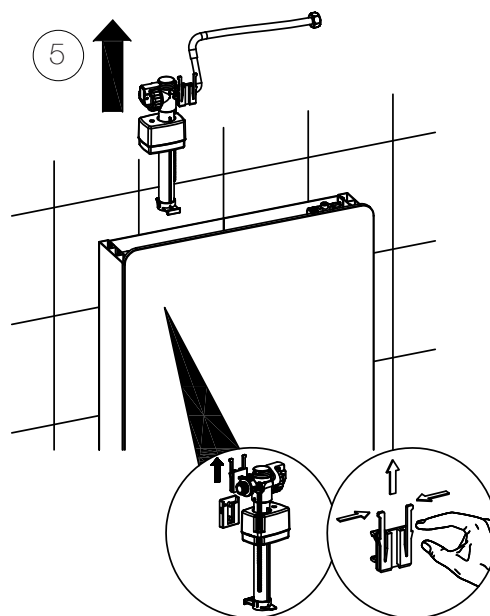
Test the toilet's half & full flush functions.

Maintenance and Daily Care

1.1 Inlet Valve removal

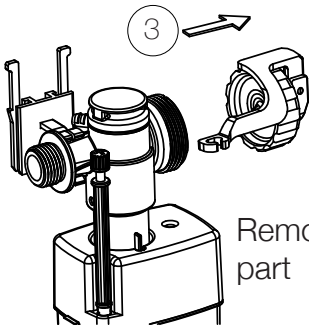
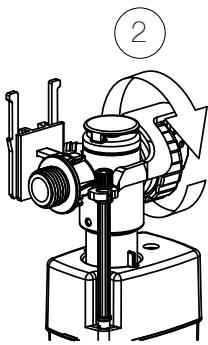
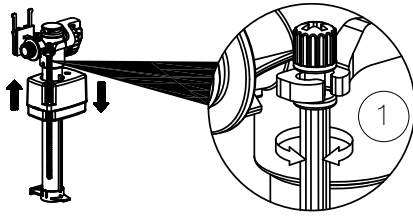


Unconnect hose and the valve

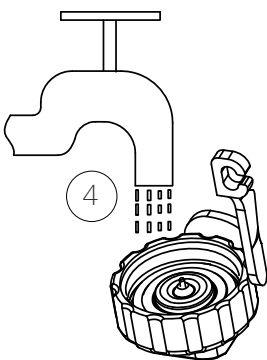


Take off the inlet valve upwards

1.2 Inlet Valve Adjustment & Clean

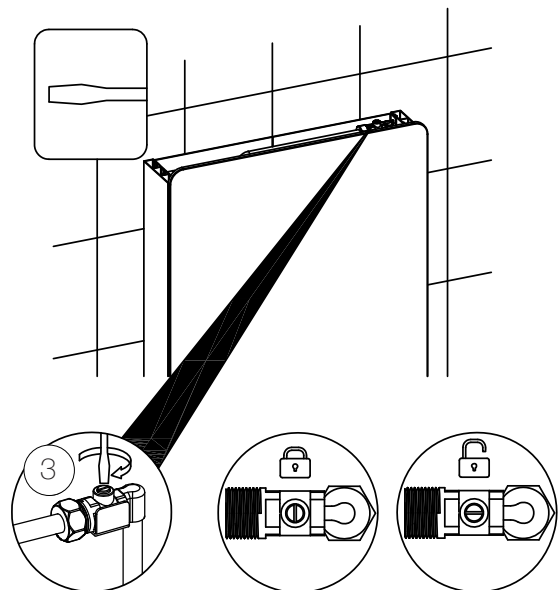
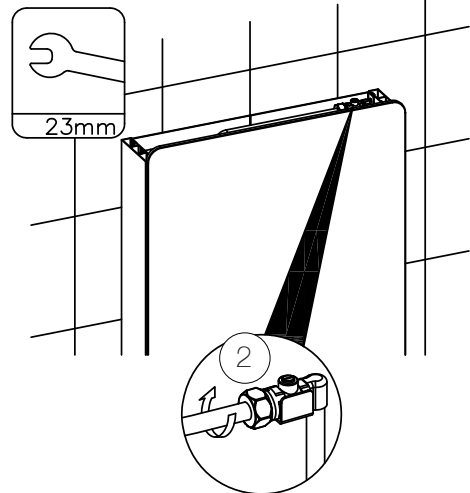
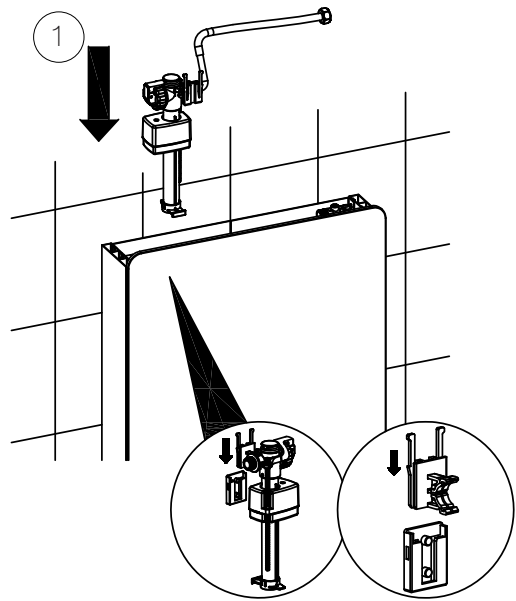


Remove the water-stopping part

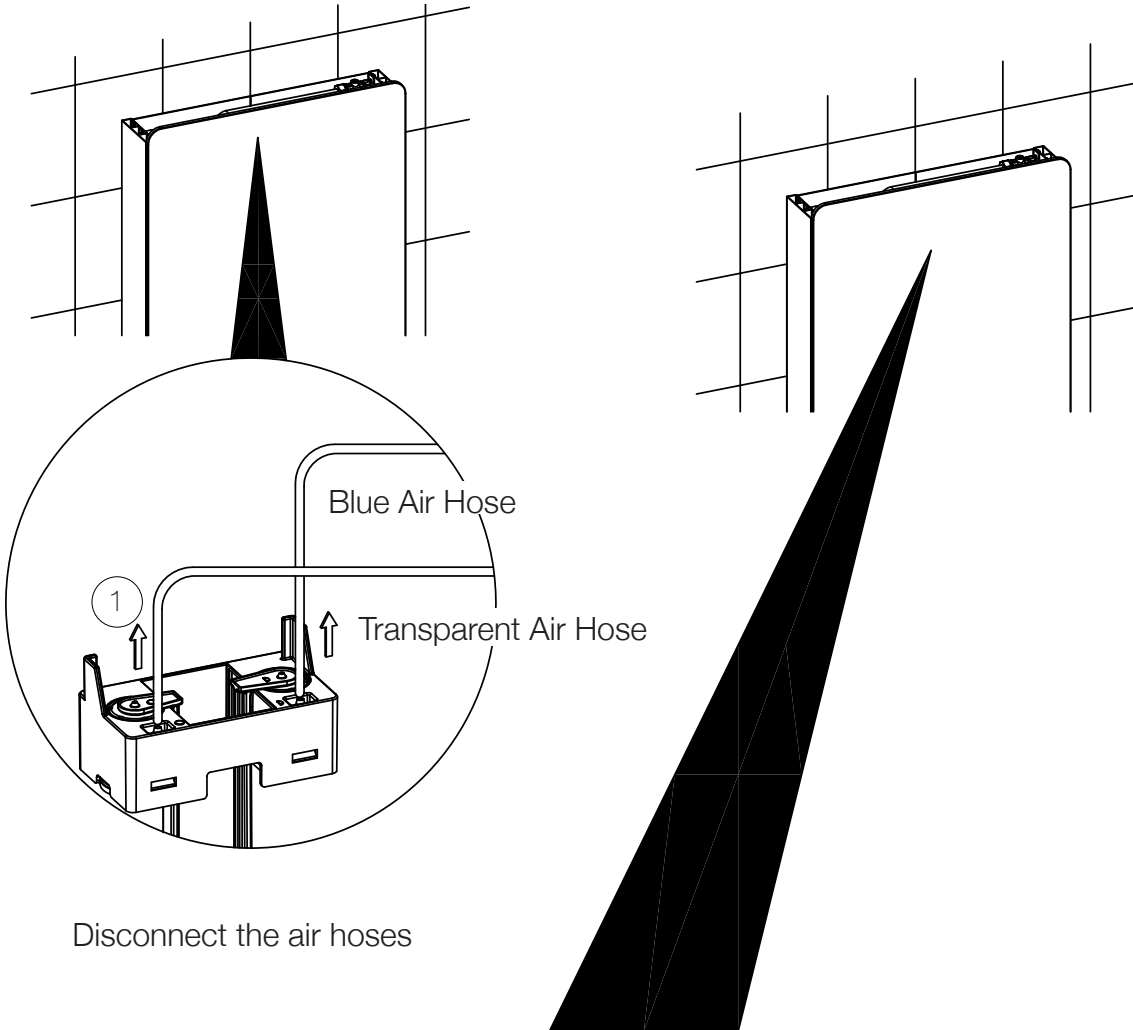


Wash the part removed

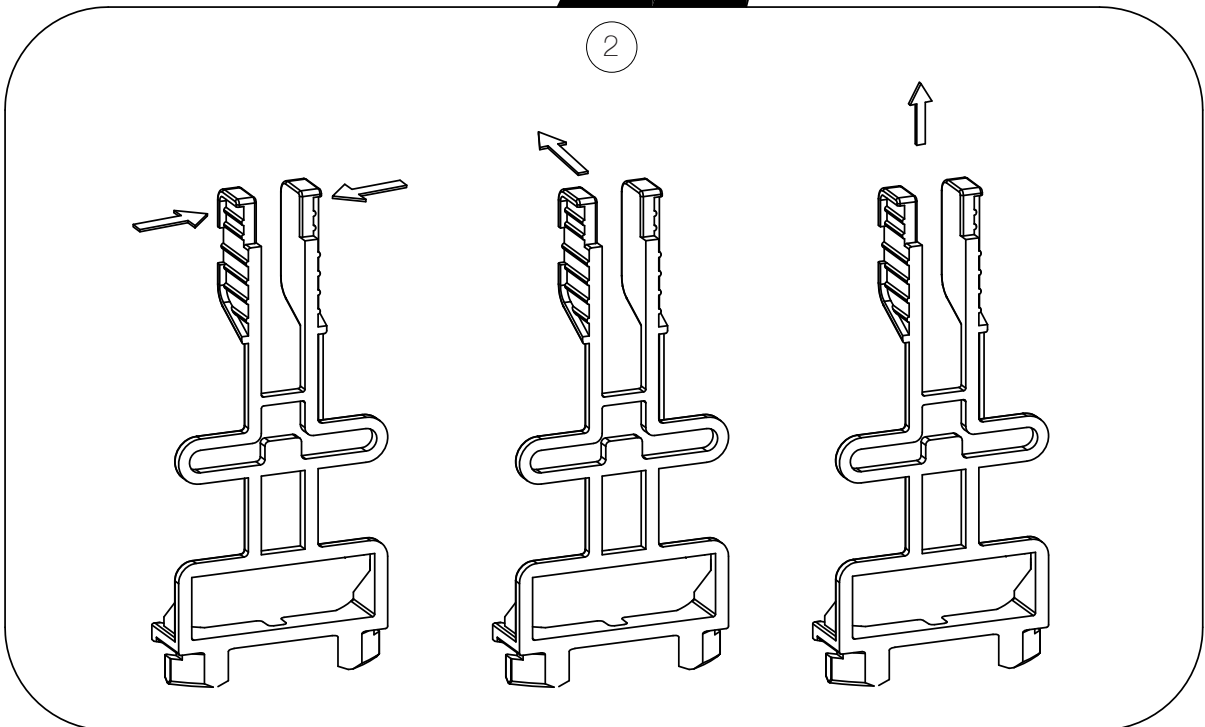
1.3 Inlet Valve Installation



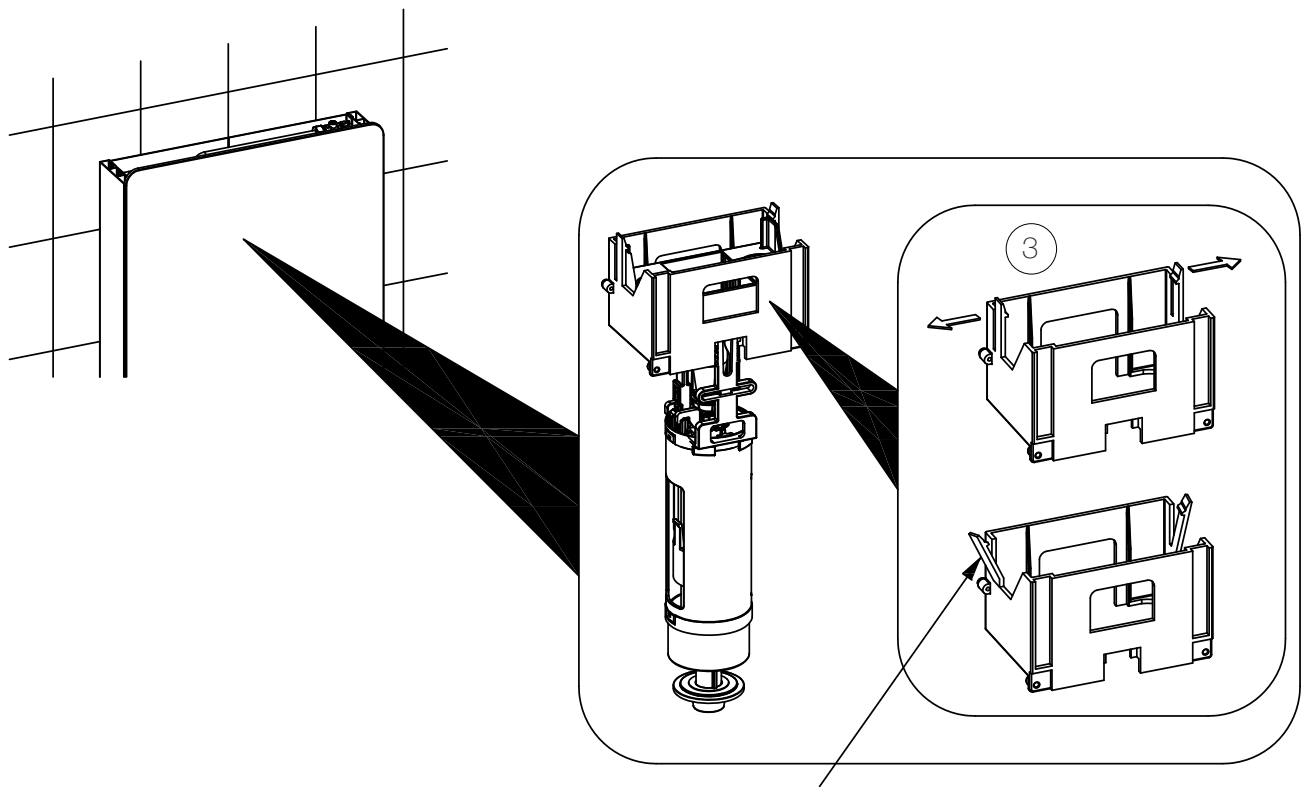
2.1 Flush Valve Removal



Disconnect the air hoses

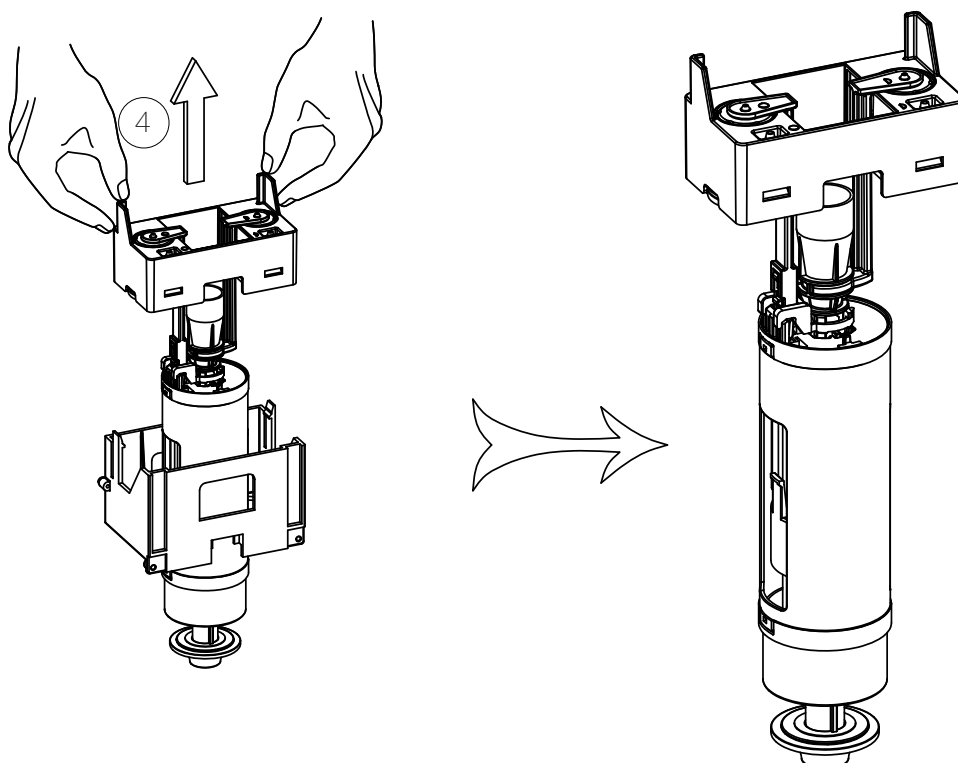


Remove the lever

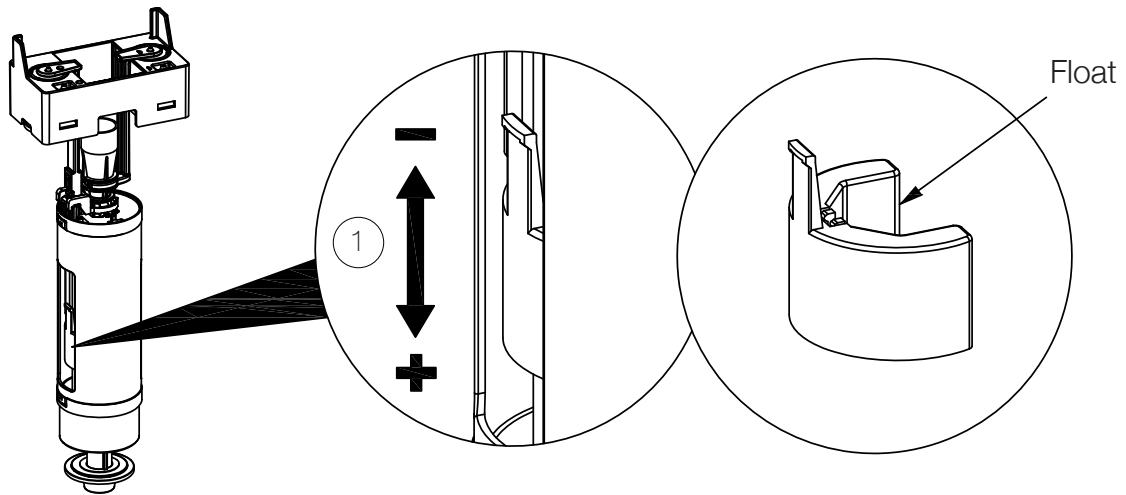


Buckles on the cistern hanger

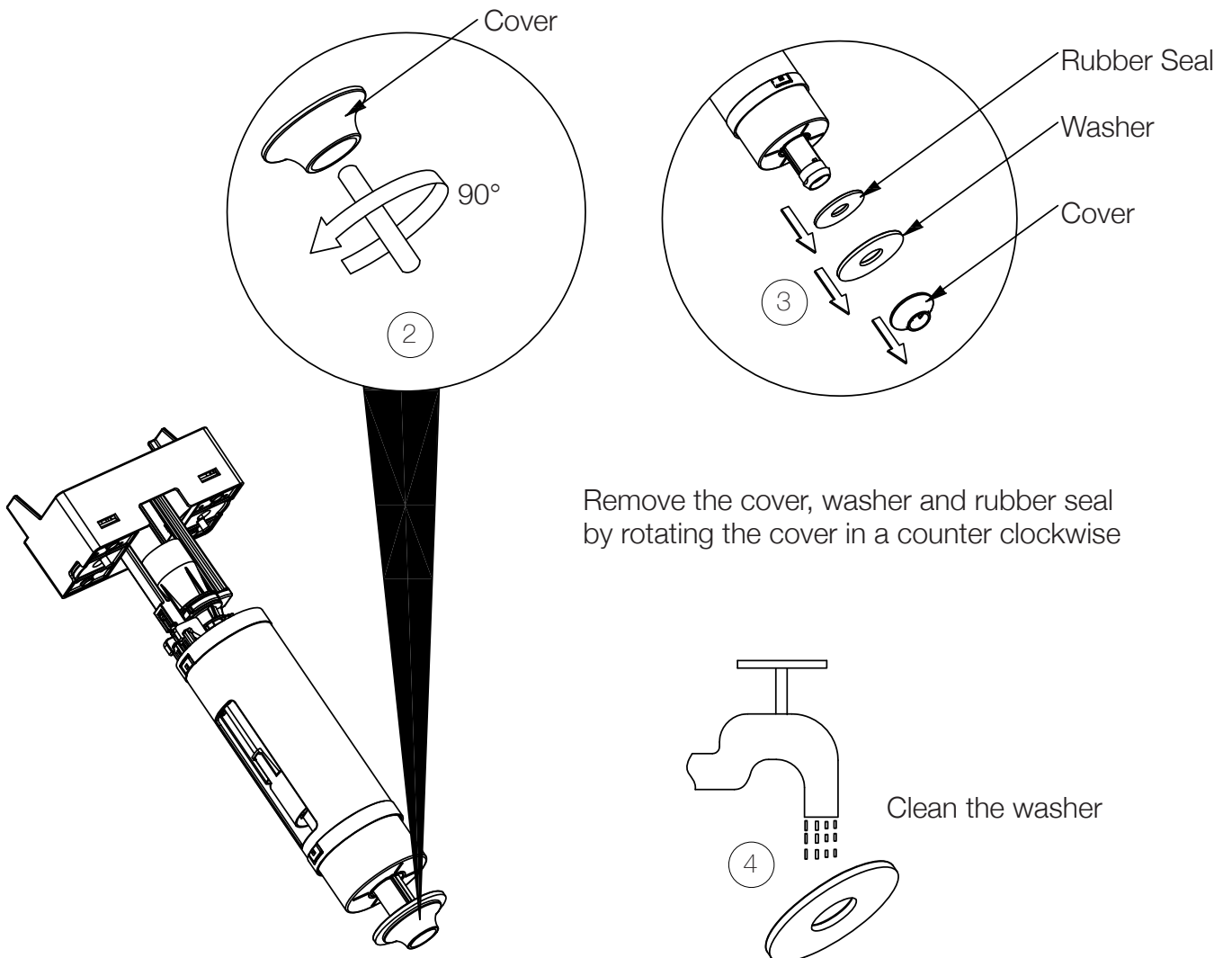
Lift the flush valve upwards after opening the buckles on the cistern hanger



2.2 Flush Valve Adjustment & Cleaning



Adjust the float upwards or downwards to reduce or increase the flush volume



Remove the cover, washer and rubber seal by rotating the cover in a counter clockwise

Clean the washer

2.3 Flush Valve Installation

