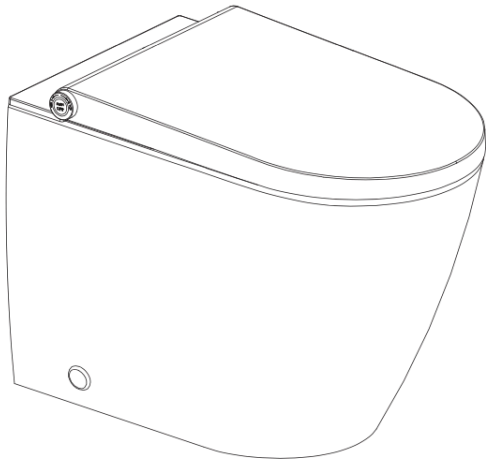


OPERATION INSTRUCTIONS

ALTACOMFORT+
WALL FACE PAN
CODE: AT210





ALTACOMFORT+

WALL FACE PAN

CODE: AT210

EXPLANATION OF SYMBOLS



DANGER

Refers to a potentially dangerous situation that may cause serious injury or death .



CAUTION

Refers to a potentially dangerous situation that may cause injury or damage to property.



STOP

Do not touch or interfere.



TAKE NOTICE

Follow the instructions accordingly.



CAUTION

Gallaria shall not be liable for any loss arising from the failure to comply with the following:

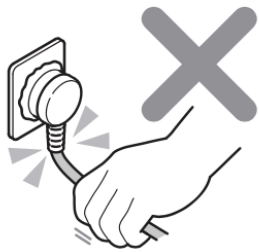
1. This toilet is considered to be a Class I (1) electric appliance, and therefore must be 'grounded' by a qualified and licensed electrician to prevent damage, injury or death.
2. Please ensure the electrical components are not installed where it can easily be splashed with water.
3. Please ensure the toilet is installed in a bathroom with adequate ventilation, e.g. window ventilation or a bathroom exhaust fan(s).
4. If the supply cord is damaged, please ensure it is replaced by a qualified service agent or similarly qualified persons in order to prevent damage, injury or death.

SAFETY ADVICE

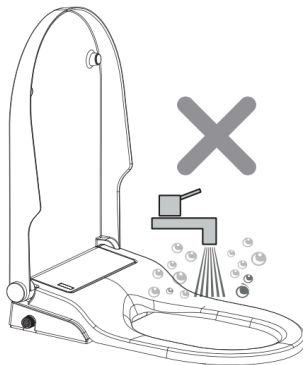
To avoid the risk of electric shock, short-circuiting, fire, water leakage and damage to the product:



DO NOT Insert or remove power plug with wet hands.

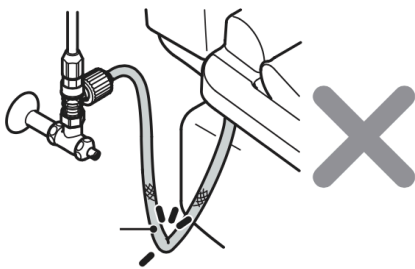


DO NOT damage the power cord and plug. Inspect both before installation to ensure all is intact.



DO NOT disassemble, attempt to repair or reassemble the product.

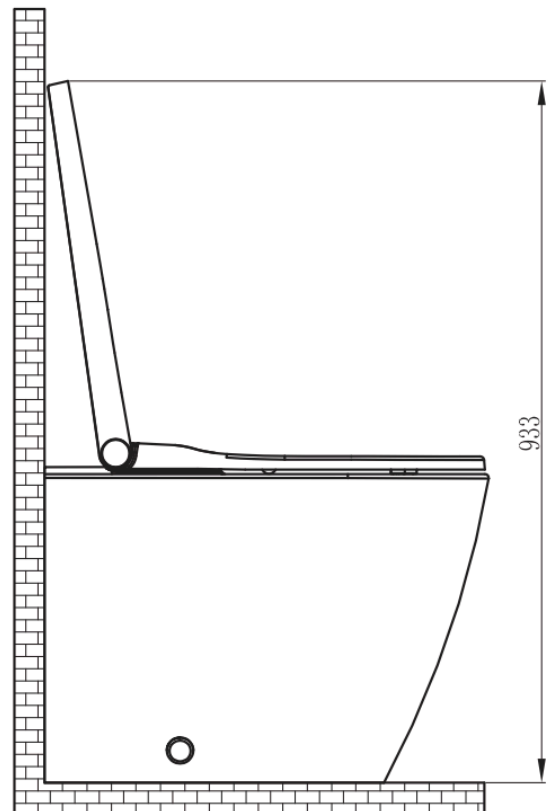
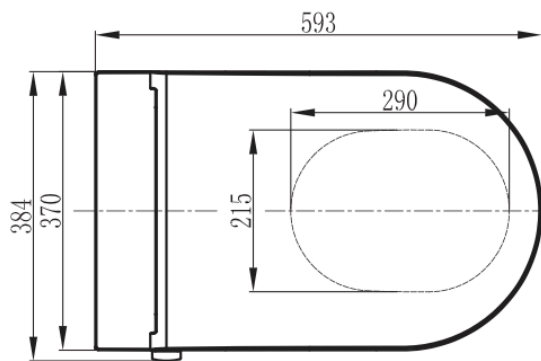
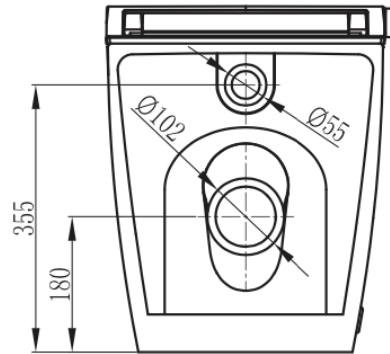
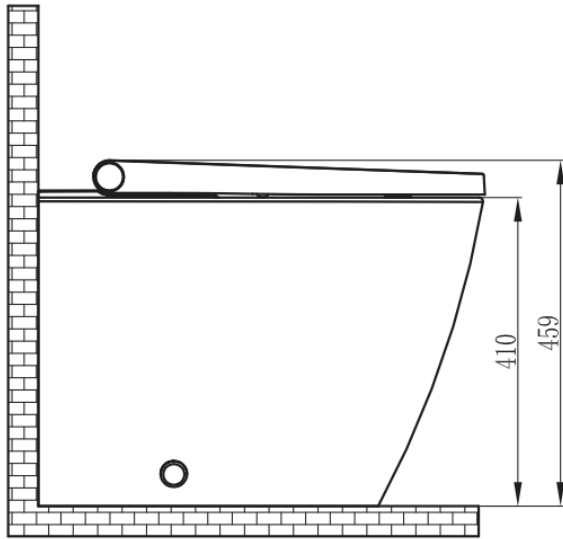
DO NOT splash water, detergents or urine on the product and the power plug.



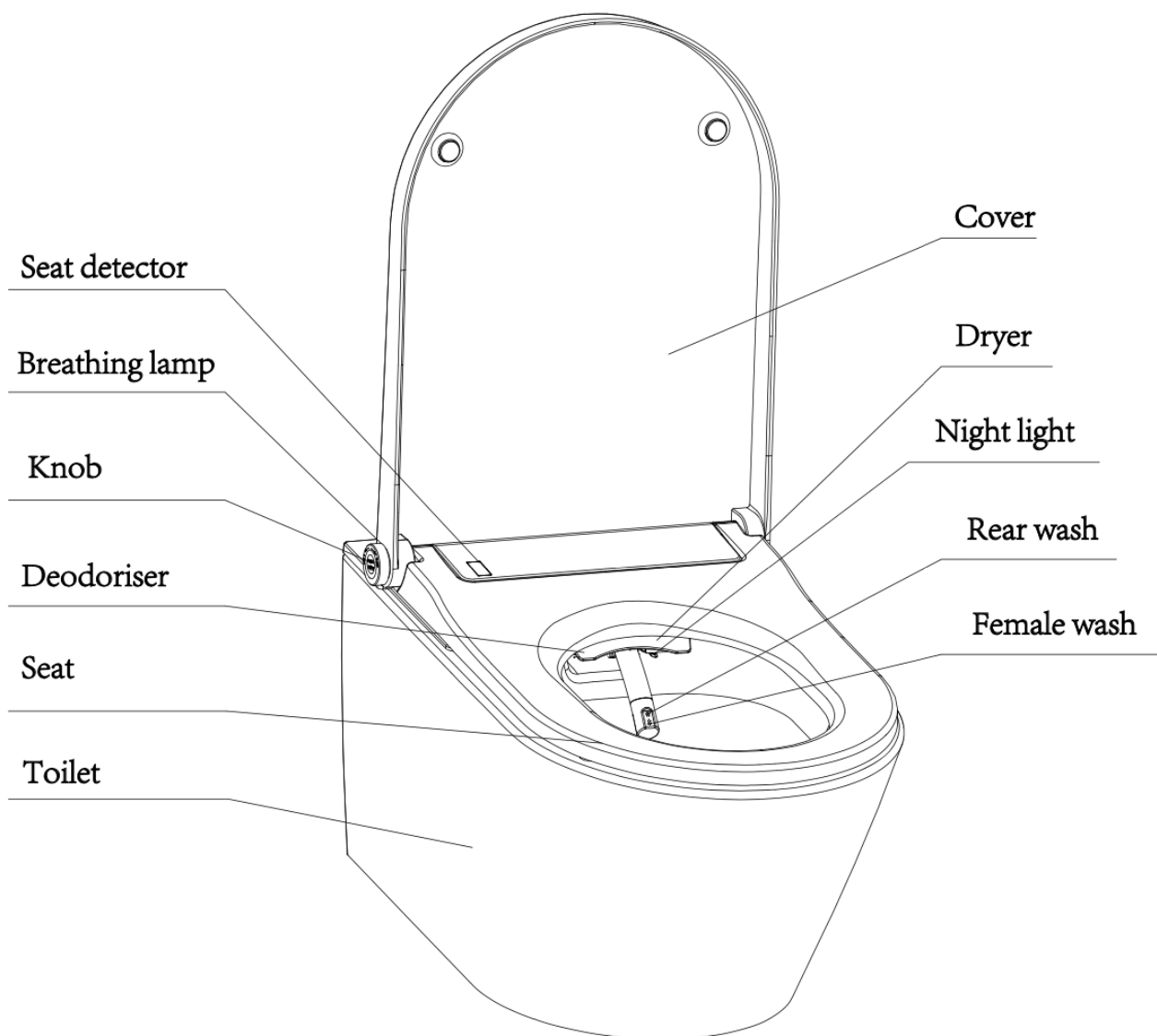
DO NOT bend or distort the inlet hose.

ALTACOMFORT+ (AT210)		Specifications
Wash	Rear Wash	●
	Female Wash	●
	Oscillating Spray	●
	Pulsating Spray	●
	Oscillating and Pulsating Spray	●
	Adjustable Water Temperature	5 Steps (Default 3rd)
	Adjustable Flow Rate	5 Steps (Default 3rd)
	Adjustable Spray Position	5 Steps (Default 5th)
Warm Air	Air Drying	●
	Adjustable Dryer Temperature	5 Steps (Default 3rd)
Hygiene	Deodoriser	●
	Nozzle Self Cleaning	●
	Nozzle Manually Cleaning	●
	User Mode	2 Users
	Night Light	●
	Ambient Light	●
	Soft Closing Seat And Cover	●
	Quick Release Seat And Cover	●
	Body Knob	●
	Remote Control	●
	Rimless Toilet	●
	Installation of the toilet	Pedestal
	Water Supply Connector	G 3/8
	Rated Voltage	AC220-240V, 50/60HZ
	Power	950W
	Length Of Power Cord	1.8m
	Water Supply Pressure	0.07~0.75MPa(0.7~7.5Bar)
	Water Supply Temperature	4~35°C
	Ambient Temperature	4~40°C
	Waterproof Rating	IPX4
Wash Device	Flow Rate	350~650mL/min
	Water Temperature	31~39°C
	Wash Cycle Time	3 Minutes
	Heating Mode	Tank
	Maximum Heater Power	1260W
	Safety Device	Thermal Cutoff Fuses\Liquid Level Switch\Thermostat
	Backflow Prevention	Air Gap
Dry Device	Maximum Speed Of Air	5m/S
	Maximum Dryer Power	280W
	Dry Cycle Time	3 Minutes
	Warm Air Temperature	35~50°C
	Safety Device	Thermal Cutoff Fuses\Thermostat
Deodorization	Deodorization Mode	Carbon filtration
	Deodorization Cycle Time	15 Minutes
Remote Control	Frequency Range	2460MHz
	Maximum RF Output Power	-10dBm
	Type of batteries	1.5V LR03 AAA
	Number of batteries	Two pieces
	Other Safety Device	Residual Current Devices
	Net Weight	35Kg
	Dimension	593*370*460 mm

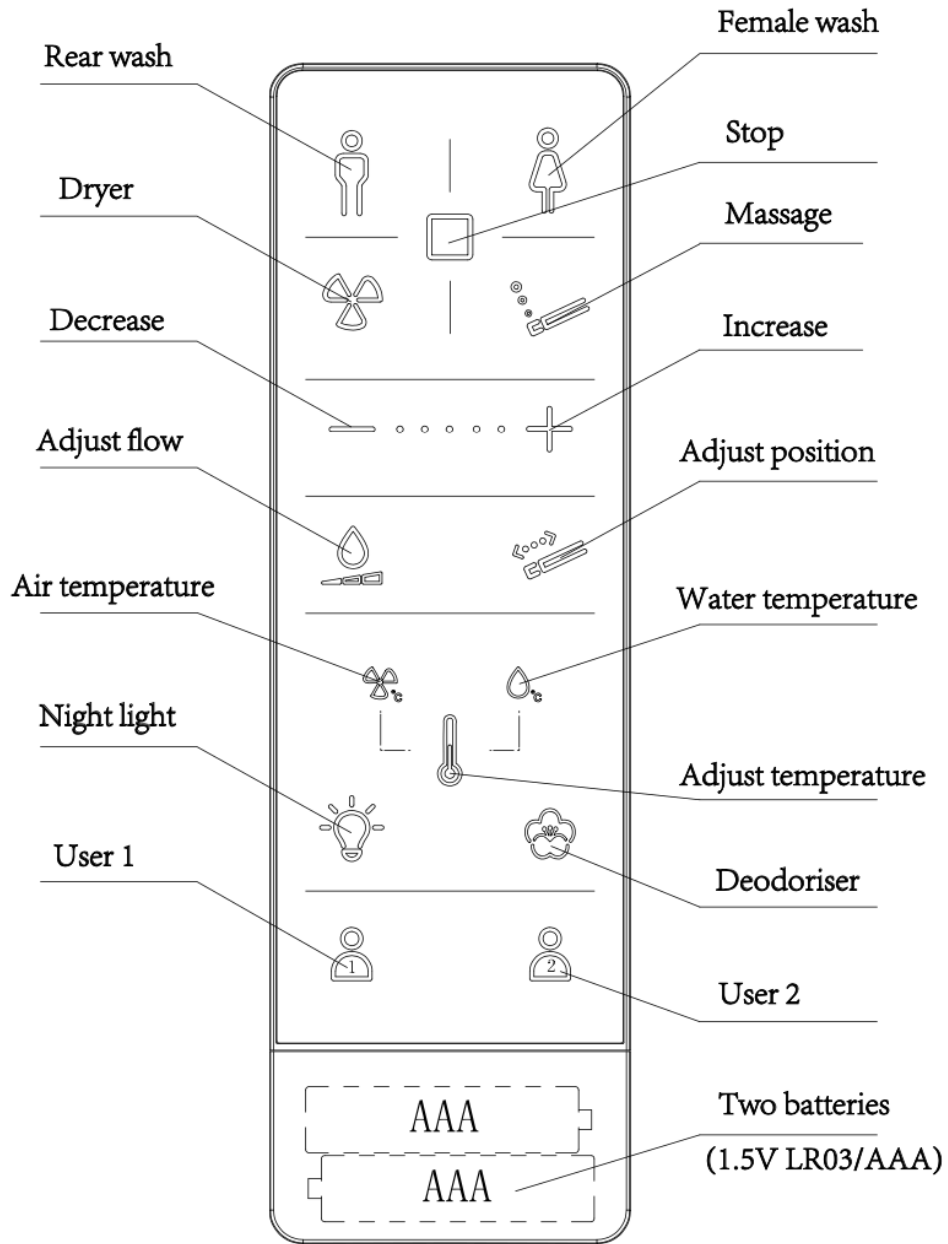
TECHNICAL DRAWING



OVERVIEW



REMOTE CONTROL



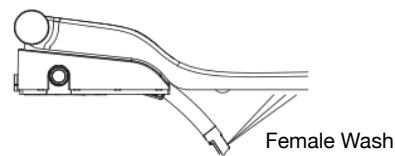
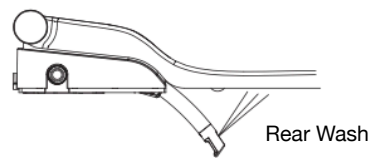
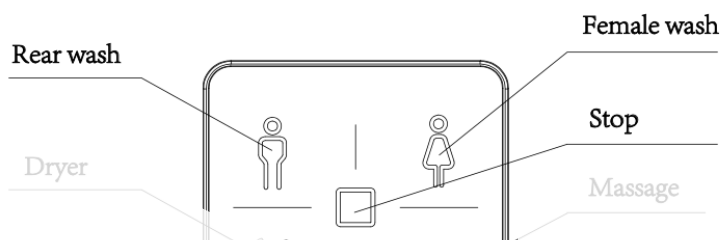
TAKE NOTICE

Note:

- The remote control requires 2 x AAA batteries (type 1.5V LR3/AAA) - which are not included.

- Software version : V1.0. Software updates will not be provided.

EXPLANATION OF FUNCTIONS

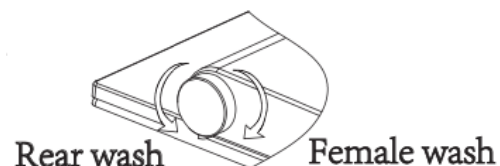


WASH MODES

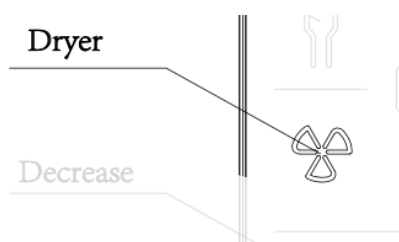
Press the 'Wash' button on the remote control or on the control knob. The bidet seat will commence washing.

Washing can be stopped by simply pressing the 'Stop' button on either the remote control on control knob.

Alternatively, the wash will automatically stop after 3 minutes.



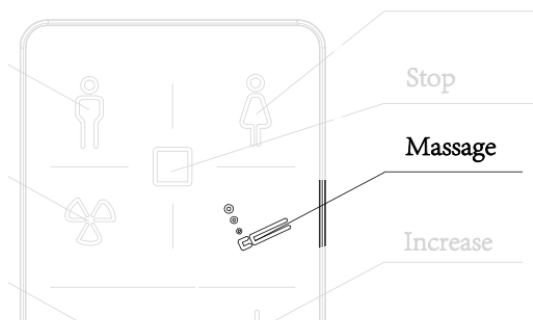
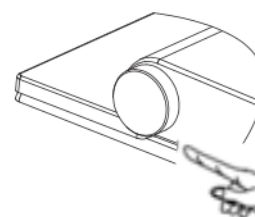
DRY FUNCTION



Press the "Dry" button on the remote control or centre button on the control knob to commence the drying process.

Drying can be stopped by pressing the 'Stop' button.

The drying function will automatically stop after 3 minutes.

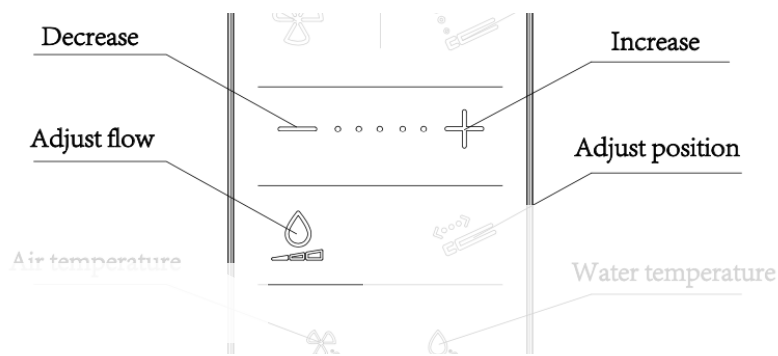


- · + **Oscillating:** indicated by one light
- · · + **Pulsating:** indicated by two lights
- · · · + **Oscillating & Pulsating:** indicated by three lights

MESSAGE FUNCTION

Repeatedly press the 'Massage' button on the remote control your desired spray mode is chosen.

EXPLANATION OF FUNCTIONS

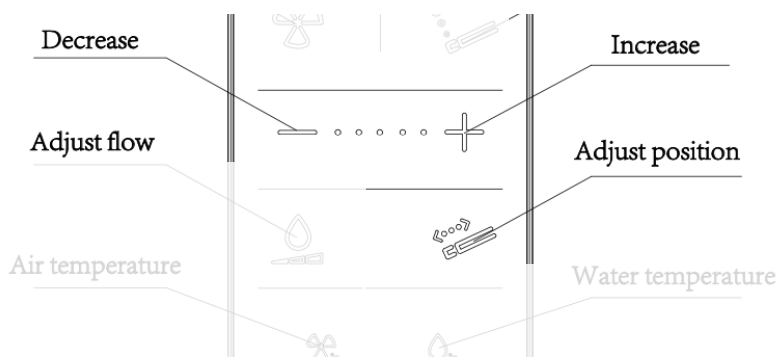
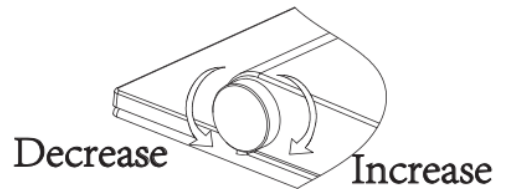


During the washing process, press the 'Adjust flow' button on the remote control to either decrease or increase the wash flow rate.

WASH FLOW RATE

Alternatively, the wash flow rate can be controlled via the control knob.

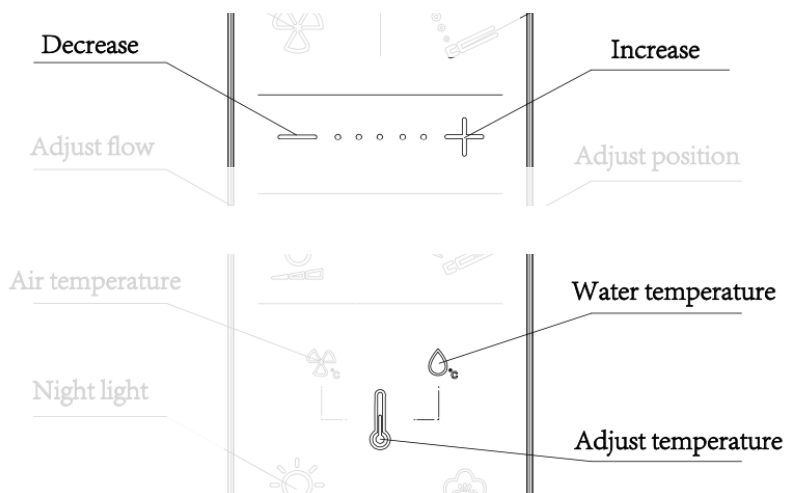
The flow rate will increase in the clockwise direction and decrease in the anticlockwise direction.



NOZZLE POSITION

During the washing process, press the 'Adjust position' button on the remote control.

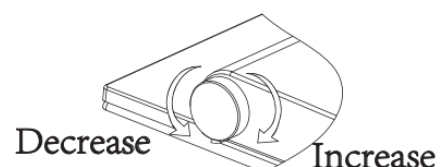
Press the 'Increase' or 'Decrease' button to adjust the nozzle position forward or backward.



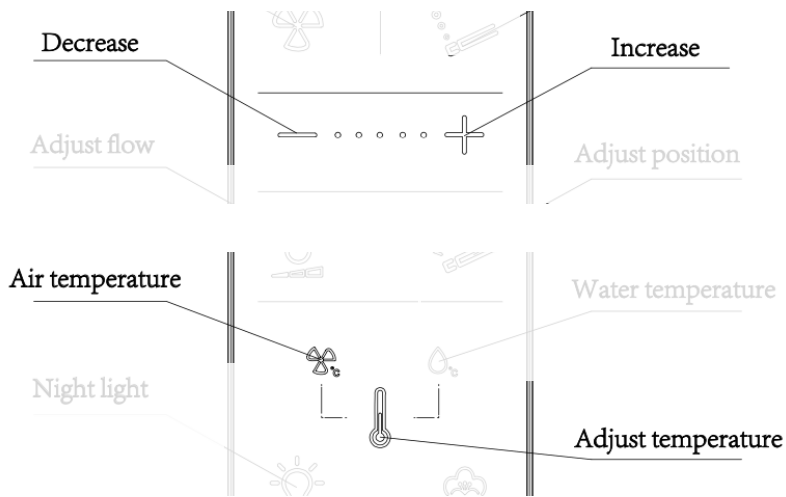
WATER TEMPERATURE

During the washing process, repeatedly press the 'Adjust temperature' button on the remote control until 'Water temperature' icon is highlighted, then press 'Increase' or 'Decrease' button to adjust the water temperature.

Alternatively press the control knob and rotate it clockwise direction to increase the temperature and anticlockwise to decrease the temperature.



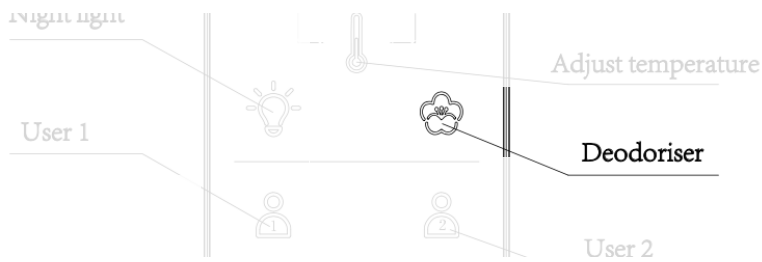
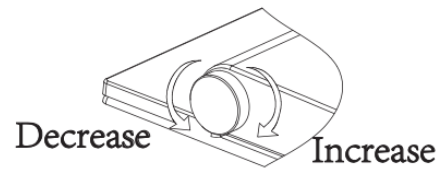
EXPLANATION OF FUNCTIONS



DRYING TEMPERATURE

During the drying process, repeatedly press the 'Adjust temperature' button on the remote control until 'Air temperature' icon is highlighted, then press 'Increase' or 'Decrease' button to adjust the air temperature.

Alternatively press the control knob and rotate it clockwise direction to increase the temperature and anticlockwise to decrease the temperature.



Repeatedly press the 'Deodorisation' button on the remote control to switch on or turn off the deodorisation function.

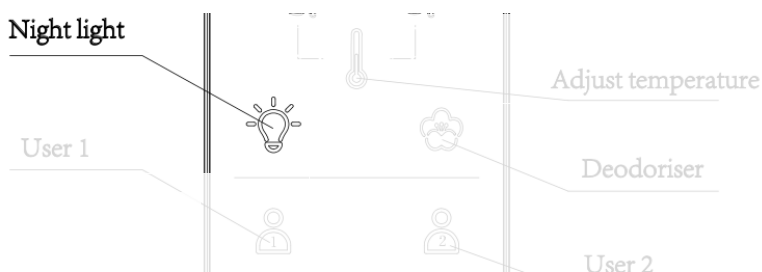
Deodorisation off: indicated by 1 light — . +

Smart mode: indicated by 2 lights — .. +

DEODORISER

Note: Smart deodorisation mode is set by default.

Deodorisation will automatically activate once the user is seated and will automatically shut off, 1 minute after the user leaves the unit.



Note: Smart night light mode is set by default. (Light will switch on in dark bathroom environments)

Night light off: indicated by 1 light — . +

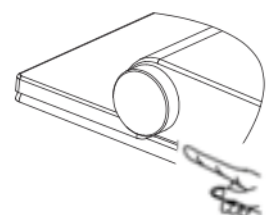
Night light on: indicated by 2 lights — .. +

Smart mode: indicated by 3 lights — ... +

NIGHT LIGHT

Repeatedly press the 'Night light' button on the remote control to select the desired mode.

Alternatively, open the cover (without sitting down). Pull the knob and rotate it in the anticlockwise direction to select the desired night light mode.



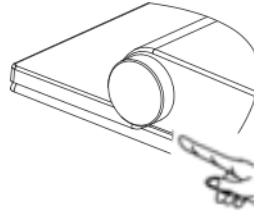
EXPLANATION OF FUNCTIONS

SOUND/BEEP SETTINGS

Open the cover and seat. Push control knob and turn:

- In a clockwise direction to turn **on**
- In an anticlockwise direction to turn **off**

Note: Sound is turned on by default.



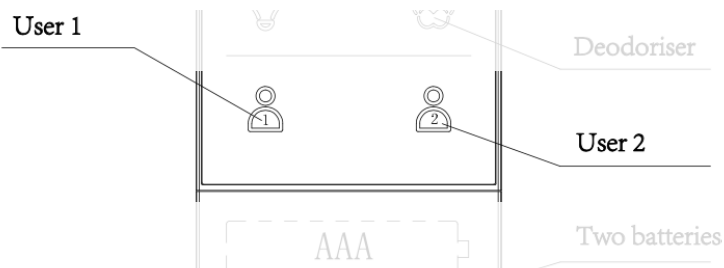
USER SETTINGS

To Save

Once all desired settings have been set, press and hold down either the 'User 1' or 'User 2' buttons for more than 3 seconds to save the current setting.

To Retrieve

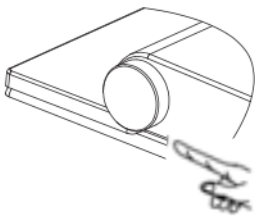
Simply press the 'User 1' or 'User 2' button prior to washing and drying to engage the respective user setting.



STANDBY MODE

To engage standby mode, press and hold the middle button of the control knob for more than 6 seconds.

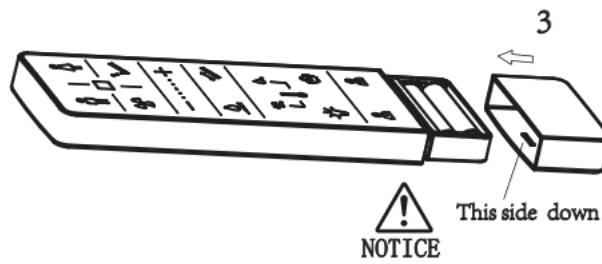
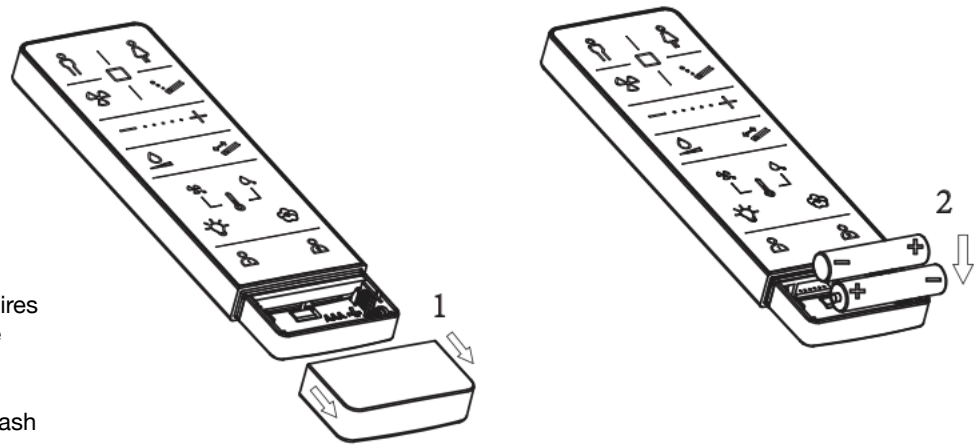
Press and hold the middle button again for more than 6 seconds to restart.



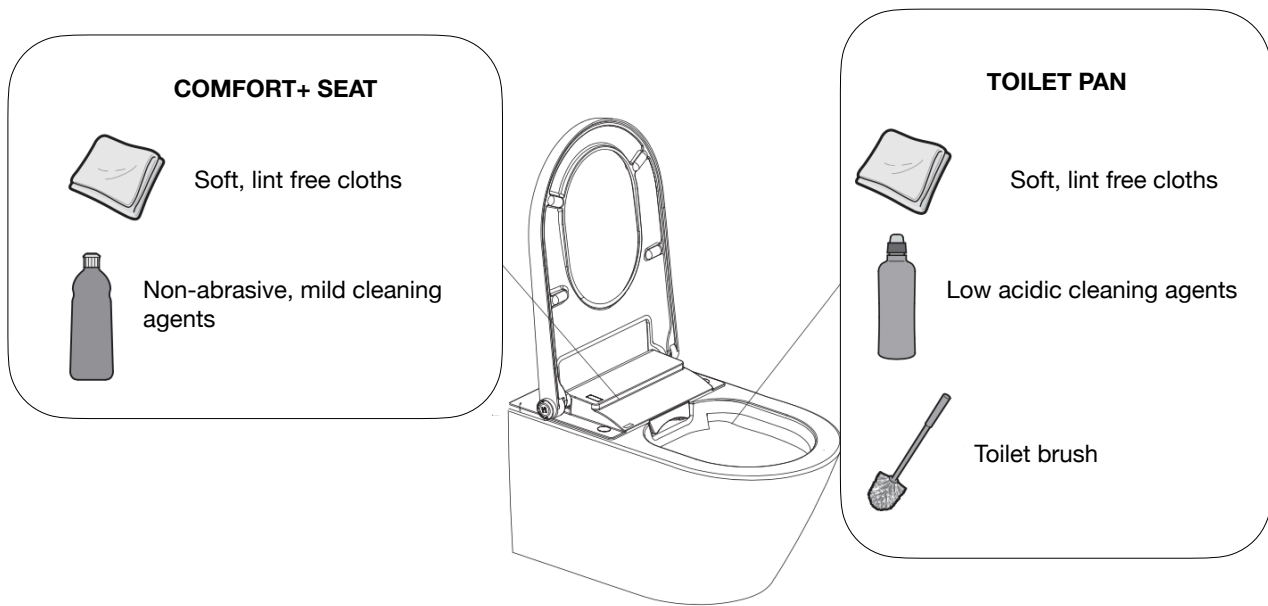
BATTERY REPLACEMENT OF REMOTE CONTROL

The remot control requires
2 x AAA batteries (type
1.5V LR3/AAA)

When the User lights flash
continuously, this is an
indication that the batteries
should be replaced.



GENERAL CARE & CLEANING ADVICE



SUGGESTED INTERVAL	SUGGESTED CLEANING ACTIVITY
Daily	Wipe down water droplets with a soft lint free cloth to avoid limescale stains.
Weekly	Thoroughly wipe down and clean all surfaces. Clean the spray nozzle if required (see Nozzle Cleaning).
Monthly	Clean the toilet pan with a low acidic cleaning agent.
Every 6 months	Replace the filter if required (see Replacing Filter').

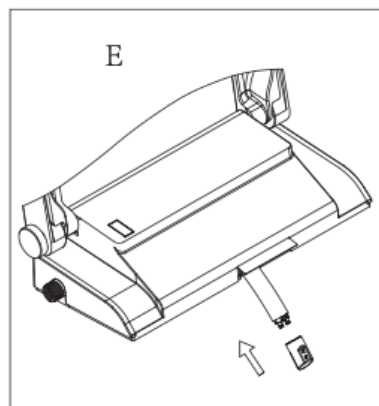
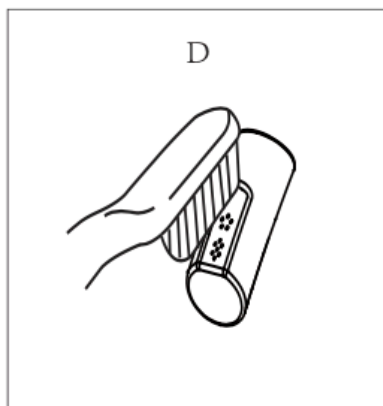
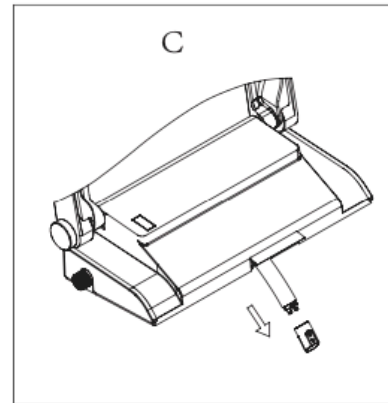
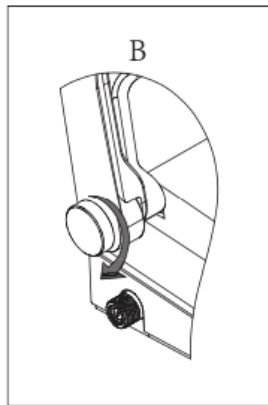
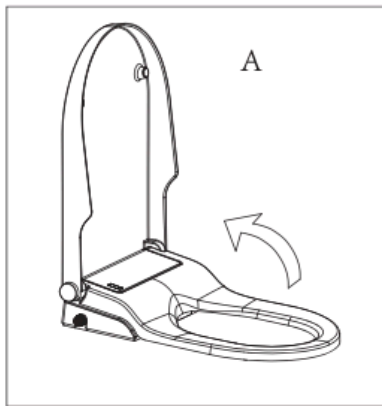


TAKE NOTICE

AUTOMATIC SELF CLEANING

If the unit is not used for more than 72 hours, the self-cleaning will operate for approximately 3 minutes when the user operates the wash function. All buttons on the remote control become invalid during the self-cleaning function.

NOZZLE CLEANING



The nozzle will automatically clean itself before washing and after washing.

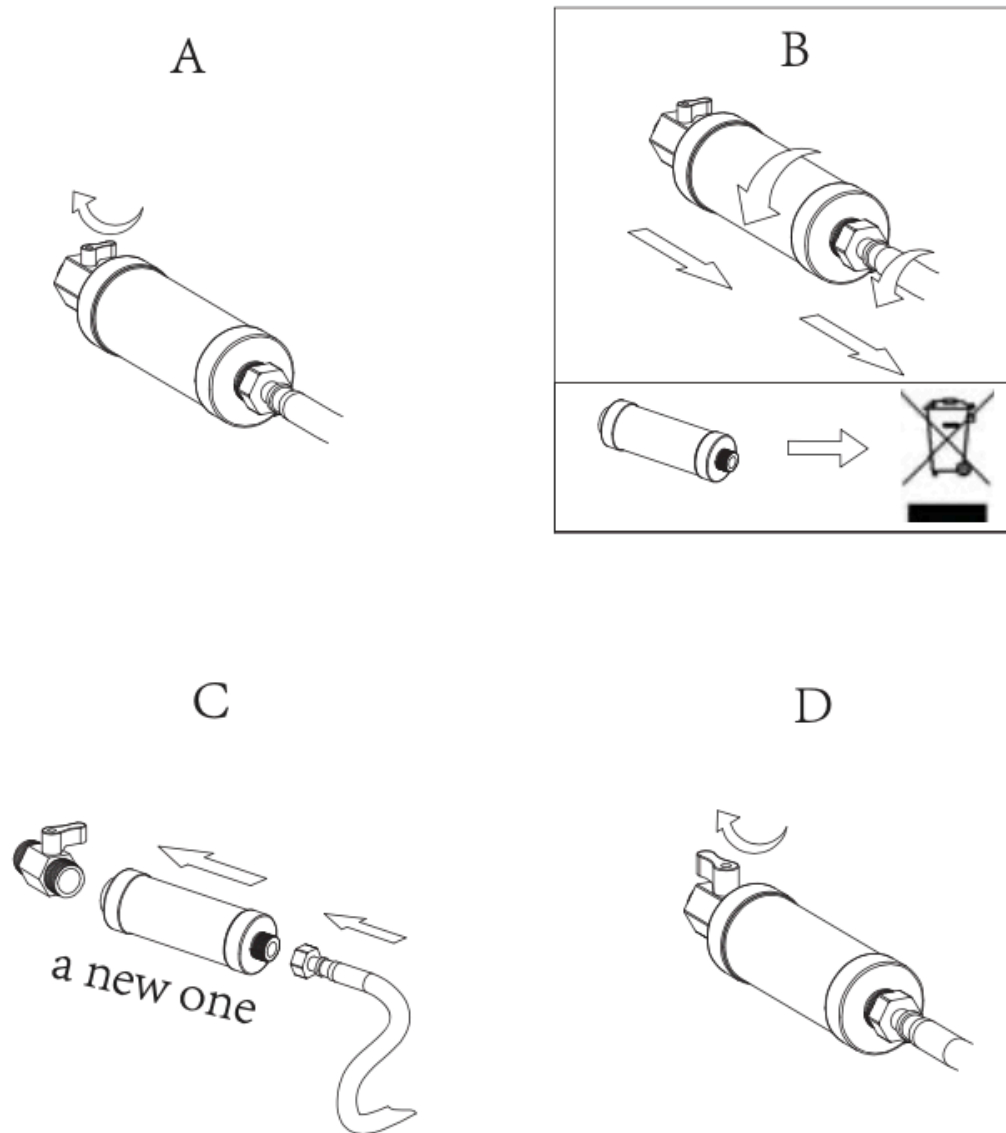
Should you wish to clean the nozzle manually, please do as follows:

- A. Open the cover and seat
- B. Rotate the knob in a clockwise direction
- C. The nozzle will extend itself and commence a water cleansing process
- D. If required, manually use a soft bristled brush to clean the nozzle
- E. Press the 'Stop' button once finished (nozzle will automatically return after 5 minutes if left unattended)

FILTER REPLACEMENT

The filter has a service life of approximately 6 months. Naturally, this is dependent on the harshness of water the filter is subjected to.

If the filter is not replaced at the suggested interval of 6 months, then we recommend that it be replaced when the wash flow is noticeably reduced. A reduced wash flow would be an indication of a blocked filter.

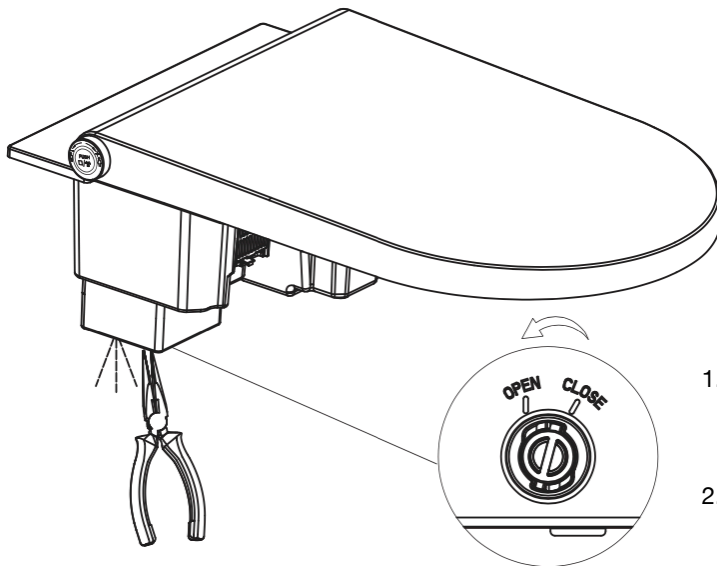
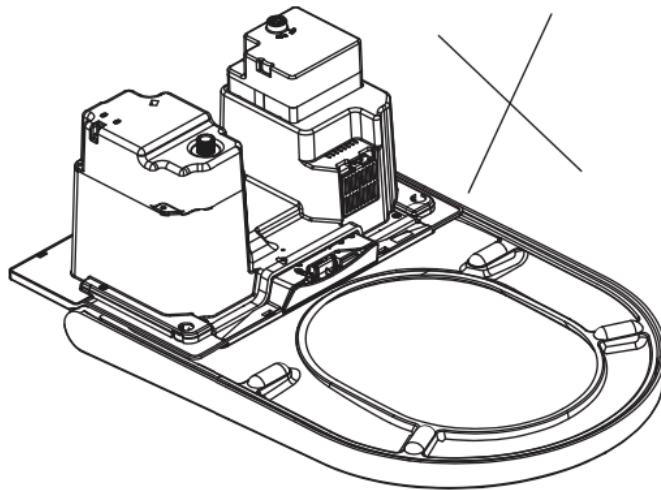


DRAINING THE WATER TANK



DANGER

1. The water and power must be cut before you disassemble the Comfort+ Seat
2. Do not invert or tilt the Comfort+ Seat before you finish draining the water tank



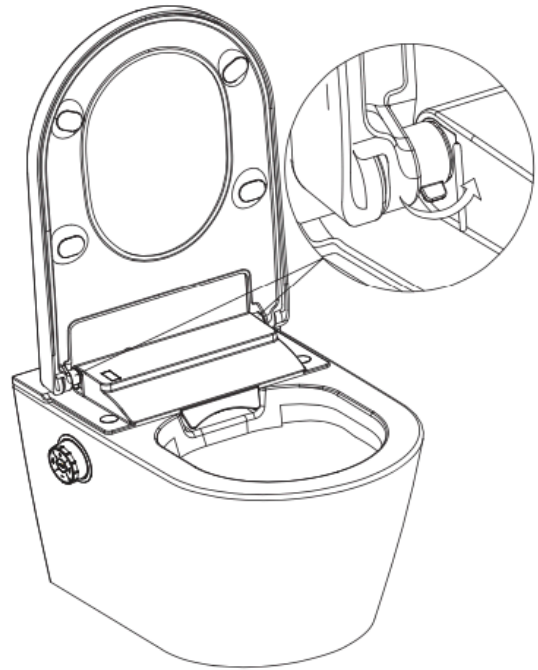
1. Turn the plug to the "OPEN" position and pullout. The water will start to drain.
2. After the tank has drained, insert the plug and turn to the "CLOSE" position.

RELEASING AND REASSEMBLING THE COVER AND SEAT

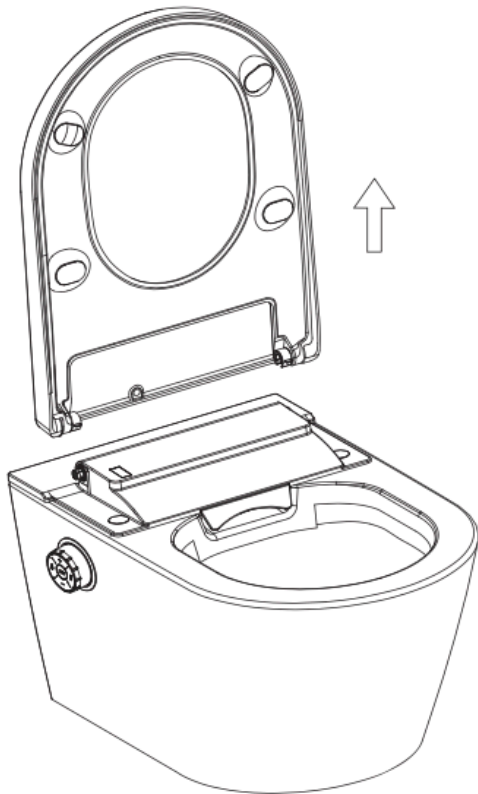
A



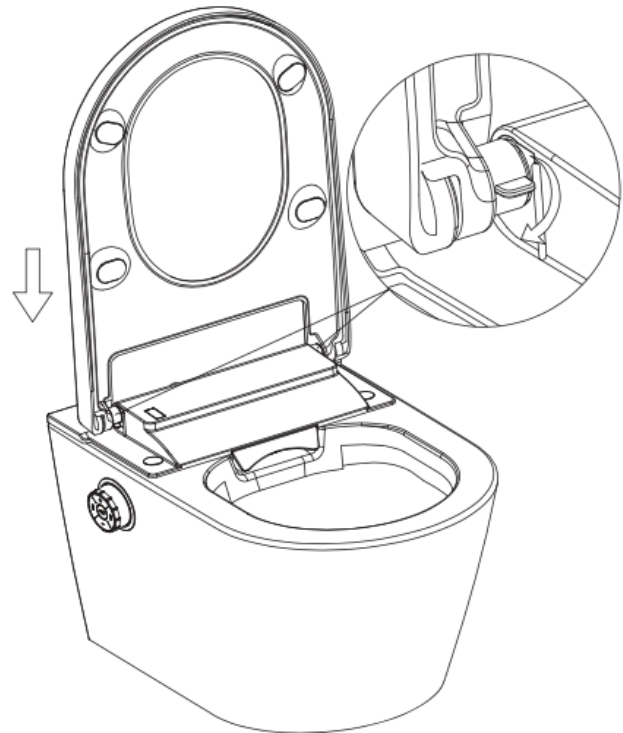
B



C



D Reassemble



TROUBLESHOOTING

Problem	Potential cause	Suggested action
The wash function is not working	1. The power supply may not be opened	Please turn on the power
	2. The water supply may not be opened	Please open the inlet water valve, or check if there is a water outage
	3. The filter may be blocked	Please replace a new filter .It has a service life of approx. half a year
	4.Maybe not in the seating state	Please sit on the seat and adjust sitting position
	5.Maybe the cover is closed	Please open the cover and sit on the seat
	6.Maybe it is not used for more than 72 hours	Not used for more than 72 hours ,when the user operates the washing ,it will open the self-cleaning for about 3 minutes. All the buttons are invalid during the self-cleaning and it will return to normal after the self-cleaning
The nozzle goes back suddenly	1.The washing cycle is 3mins. The nozzle will stop spraying after 3mins ,and then go back.	This is normal and please re-press the "wash" button to start washing again
	2.There may be some problems of water supply	Please check if there is a water outage
	3.Maybe the seated sensor detects the user left the seat	Please adjust sitting position
	4.Maybe the cover is closing	Do not put down the cover when it is washing
Low water flow rate	1.The water flow rate may be set at low grades	Please increase the flow rate as per "adjusting water flow rate" of operating instructions
	2.The water supply pressure may be too low	Please check and ensure the water supply pressure is $\geq 0.07\text{Mpa}$
	3.The filter may be blocked	Please replace a new filter .It has a service life of approx. half a year
	4.The nozzle may be blocked	Please replace a new nozzle
Low water temperature	1.The water temperature may be set at low grades	Please set the water temperature at high grade as per "adjusting temperature"of operating instructions
	2.Maybe the temperature of water supply is too low	Please set the water temperature at high grade as per "adjusting temperature"of operating instructions,or decrease the flow rate as per "adjusting water flow rate" of
The nozzle comes out slowly	When start washing function,the nozzle will be self-cleaning before coming out,and this will take some	This is normal
The water flows out but the nozzle do not come out	1.When start washing function,the nozzle will be self-cleaning before coming out .When the washing is over ,also have this feature	This is normal
	2.Maybe it is not used for more than 72 hours	This is normal. Not used for more than 72 hours ,when the user operates the washing ,it will open the self-cleaning for about 3 minutes
The drying function is not working	1. The power supply may not be opened	Please turn on the power
	2.Maybe not in the seating state	Please sit on the seat and adjust sitting position
	3.Maybe the cover is closed	Please open the cover and sit on the seat
	4.Maybe it is not used for more than 72 hours	Not used for more than 72 hours ,when the user operates the washing ,it will open the self-cleaning for about 3 minutes. All the buttons are invalid during the self-cleaning and it will return to normal after the self-cleaning
Low air temperature	1.The air temperature may be set at low grades	Please set the air temperature at high grade as per "adjusting temperature"of operating instructions
	2.The air heater can not work normally	Please contact local distributor
Night light is always off	1.Maybe in the bright environment.	When the night light is set at smart mode,the night light will not work when in the bright environment.
	2.The night light function may be closed.	Please open the night light function and adjust the night light mode as per "Light Setting" of operating instructions
Night light is always on	1.Maybe in the dark environment.	When the night light is set at smart mode,the night light will be always on when in the dark environment
	2.Something may be covered around the knob.	Recover the obstructions around the knob
	3.The night light may be set at always on mode	Please adjust the night light mode as per "Light Setting" of operating instructions
The nozzle goes back automatically when manual cleaning	1.The nozzle goes back after washing 5 minutes.	This is normal
	2.Maybe press the "stop" button	The manual cleaning will be stopped if press the knob or press the "stop" button on the remote control.
	3.Maybe the seated sensor detects that the seat is closing	Please do not put down the seat during the manual cleaning
The remote control is not functioning	1.Maybe there are not batteries in the remote control	Please install the correct batteries in the remote control
	2.Maybe the battery power is too low	When the battery power is too low the LED of grade will flash.Please replace the battery
	3.Maybe the code of the bidet and remote control is not the same	Please set the code of the remote control to the correct one .See "One-On-One Setting"
There are BEEP sounds when the bidet is working	There is a short BEEP when you are sitting down , and a long BEEP when you leave. Also there is a short BEEP when the bidet has received commands.	This is normal. You can turn off the sound. See "Sound Setting"
The bidet can not work normally	Maybe there is something abnormal	Please shut off the power and turn on after one minute. If the bidet still cannot work,please contact local distributor
The light around the knob flash twice with constantly BEEP	The water supply temperature may be too high	Please shut off the power and water supply,stop using the product,and then contact local distributor
The light around the knob keep flashing	There may be something wrong with the product	Please check if the electric power and water supply are normal,cut off the power and restart the product. If the bidet still cannot work,please contact local distributor



Do not dispose electrical appliances in general municipal waste. Use the appropriate separate collection facility provided by your local council.

Contact your local government for information regarding the collection and/or disposal options available.

Incorrect disposal of electrical appliances may cause hazardous substances to leak into groundwater and food chain supplies, damaging the health and well-being of natural environments.

When replacing old appliances with new ones, the retailer is legally obligated to take back your old appliance for disposals at least free of charge.

For further information or help, please contact us:

(02) 8985 2619

Head Office: 27 Helles Avenue,
Moorebank, NSW 2170

www.gallaria.com.au