

OPERATION INSTRUCTIONS

FOR THE FOLLOWING MODELS

WHITE

ALTACOLUMN+

WALL HUNG PAN

CODE: AT310RC-WT

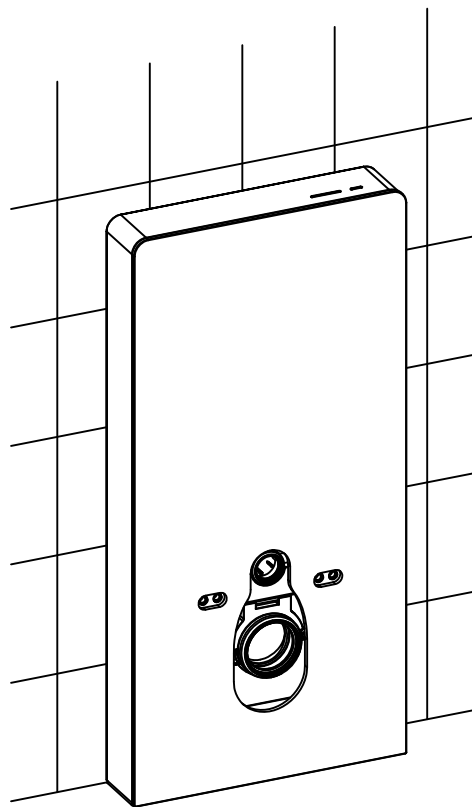
BLACK

ALTACOLUMN+

WALL HUNG PAN

CODE: AT310RC-BL





Sensor Cabinet Cistern Installation
Wall hung Version

Content

Item List pg. 3

























Technical Specifications pg. 5

Technical Drawing, Inlet System & Drainage System pg. 6

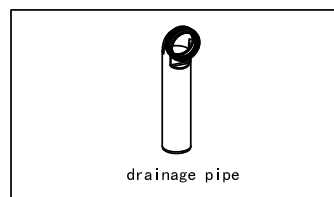
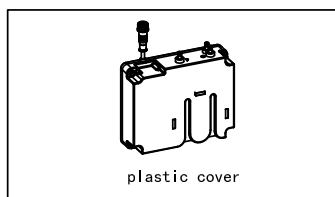
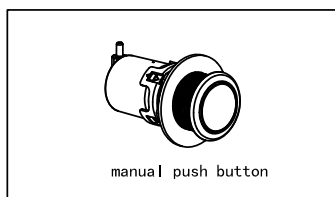
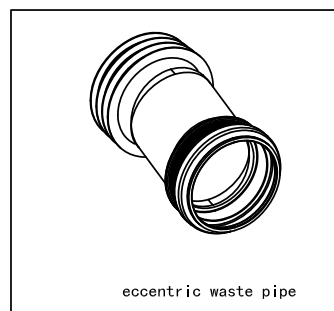
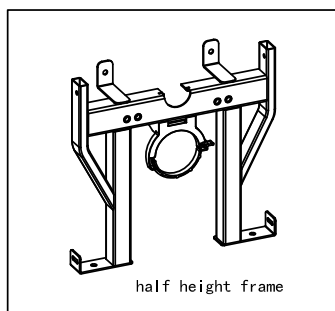
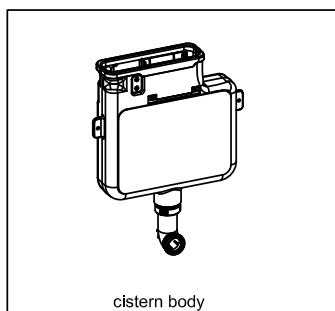
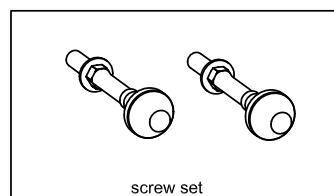
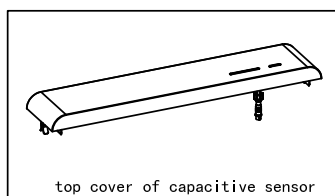
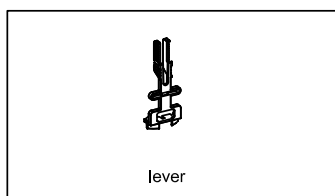
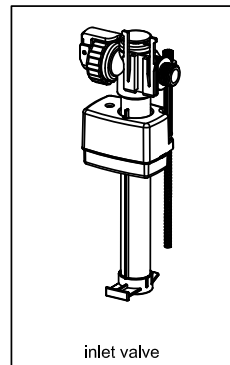
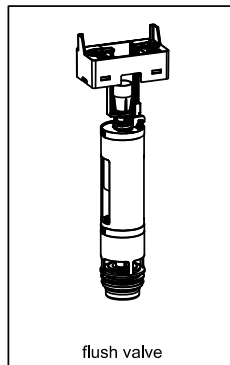
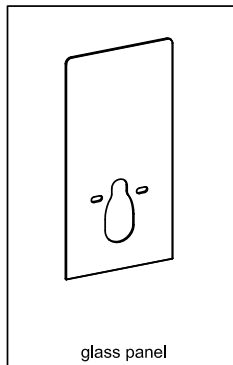
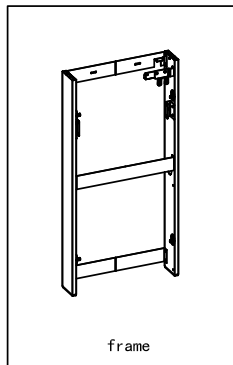
Cistern Installation pg. 7

Maintenance & Daily Care pg. 20

Item List

Item list	Names	Specification	Quantity	Item List	Names	Specifications	Quantity
	rubber seal	Ø110	1		expansion nut	SX10 Ø6-8	2
	straight flush pipe		1		screw	ST6.8*67	2
	flush pipe		1		washer	Ø22*2.0	2
	eccentric pipe		1		M12 bolt		2
	rubber seal		1		decorative cap		2
	transparent air hose	transparent L:350mm	1		M12 nut		2
	blue air hose	blue L:300mm	1		big washer	Ø32.5*2.5	2
	red air hose	red L:550mm	1		rubber sleeve		2
	flush pipe		1		decorative cap base		2
	rubber seal on above pipe	Ø60	1		steel bolts		2
	expansion nut	8*40	2		washer	Ø11*1.2	2
	screw	ST4.8*45	2		toilet mat		1

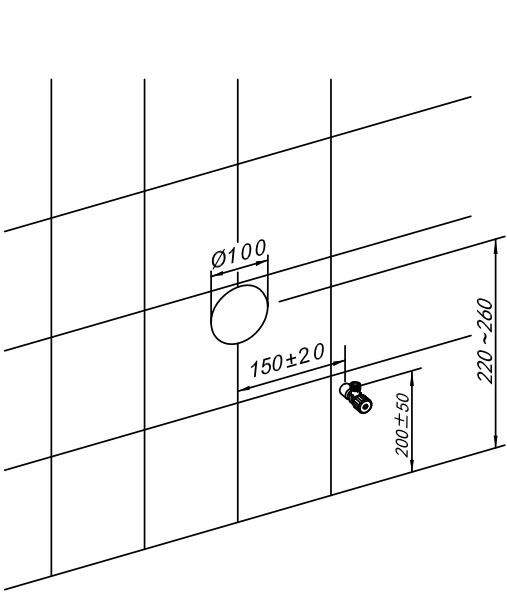
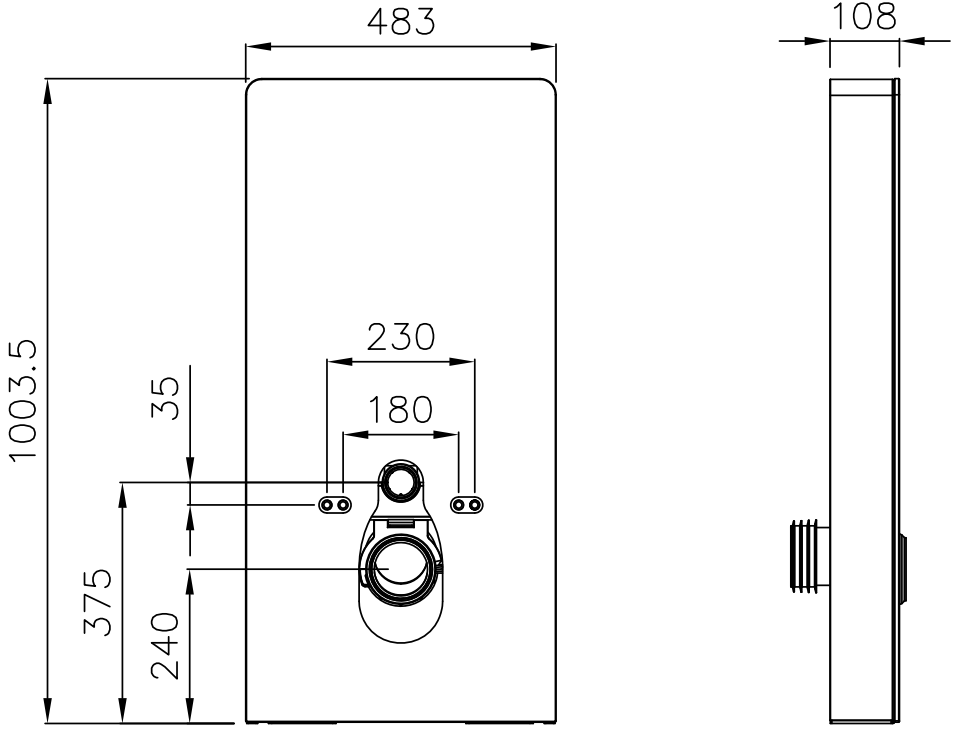
Item List



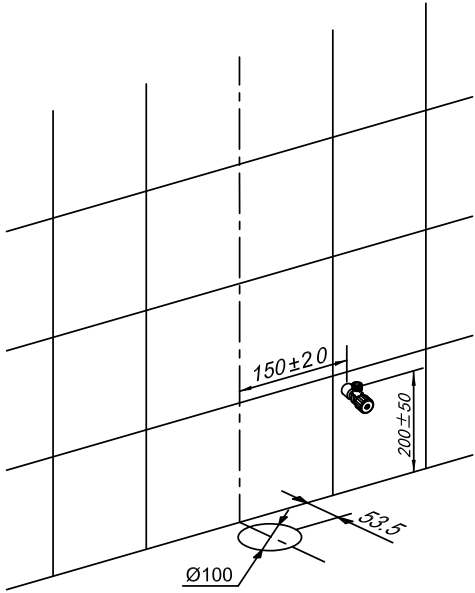
Technical Specifications

Name	ALTACOLUMN+ WH White / Black	
Model	White : AT310RC-WT Black : AT310RC-BL	
Technical Specifications	rated voltage	6V
	ambient temperature	3~40°C
	water supply pressure	0.07~0.75MPa
	water supply temperature	4~35°C
	waterproof rating	IPX4
	dimension	1003.5mm X 483mm X 108mm

Technical Drawing Inlet & Drainage System

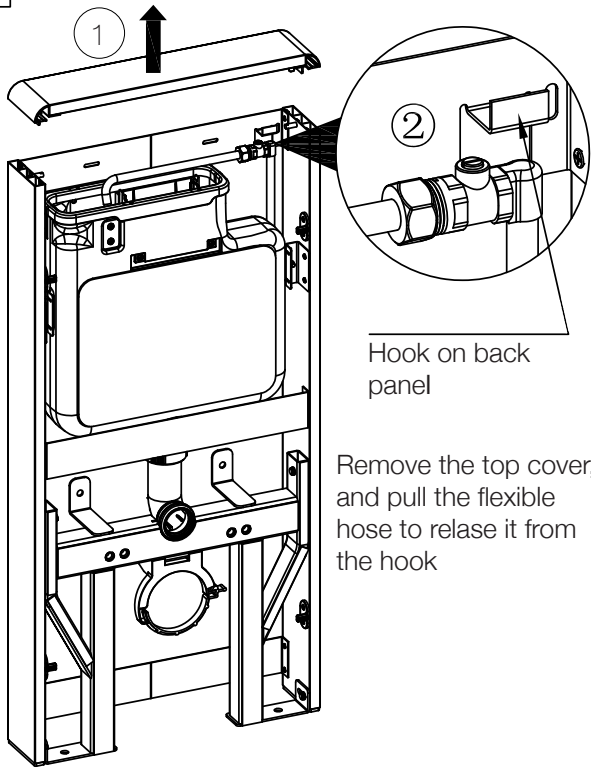


Wall drainage inlet and drain position



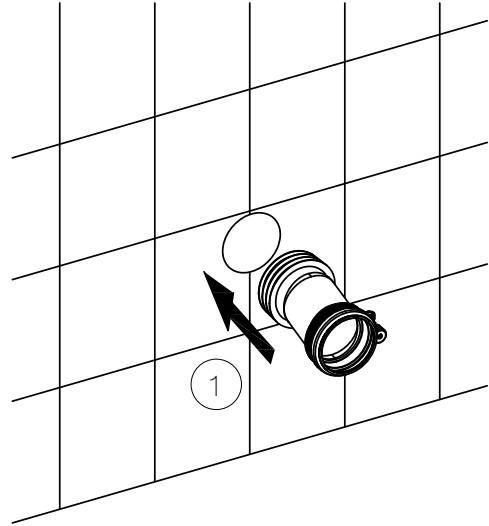
Ground inlet and drainage location

1



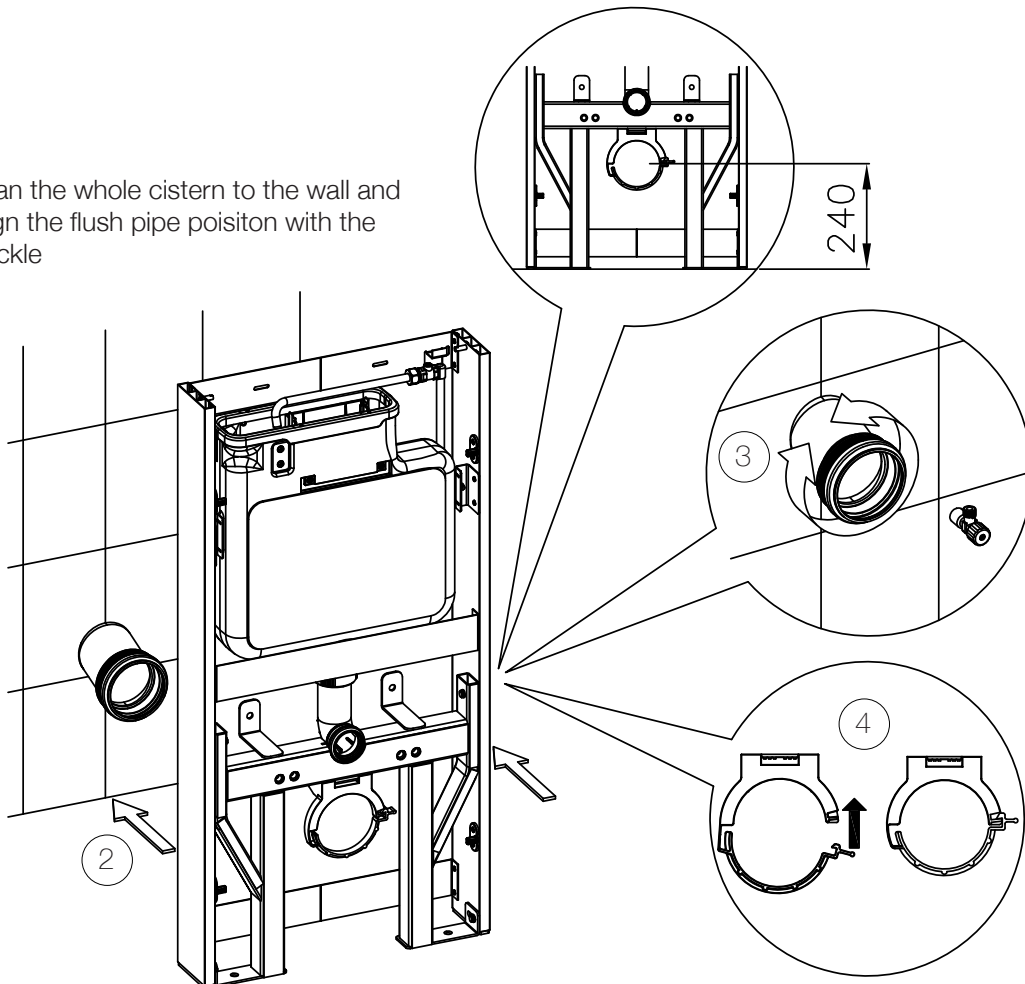
2

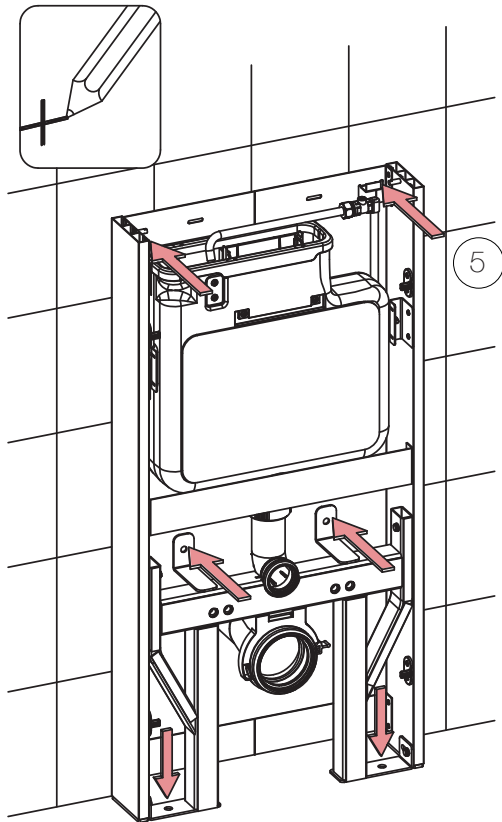
Wall Drainage Installation :



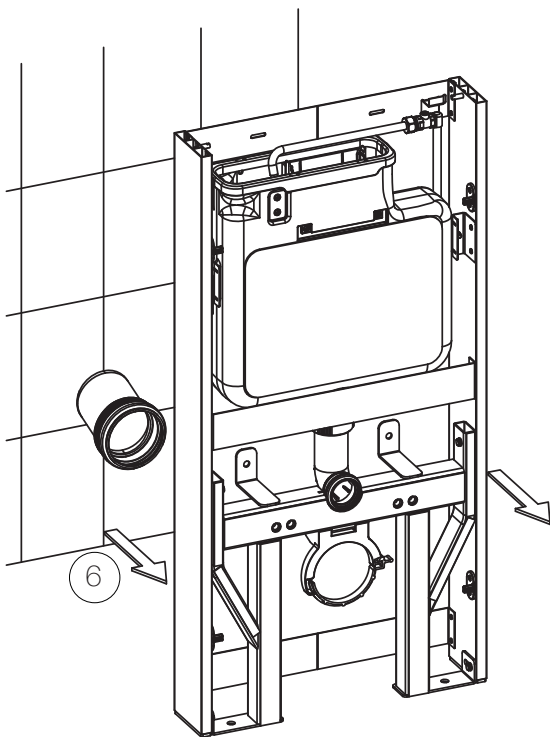
Insert the drainage pipe into the drainage hole in the wall

Lean the whole cistern to the wall and align the flush pipe position with the buckle

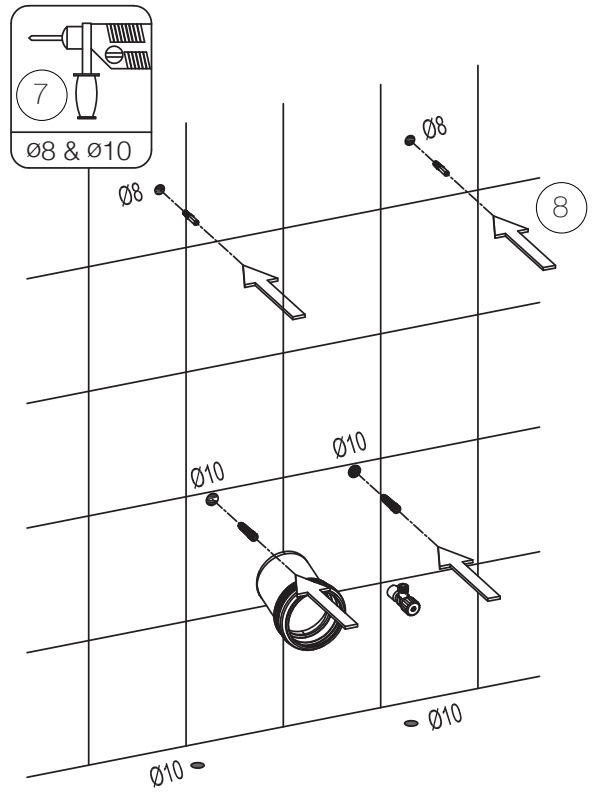




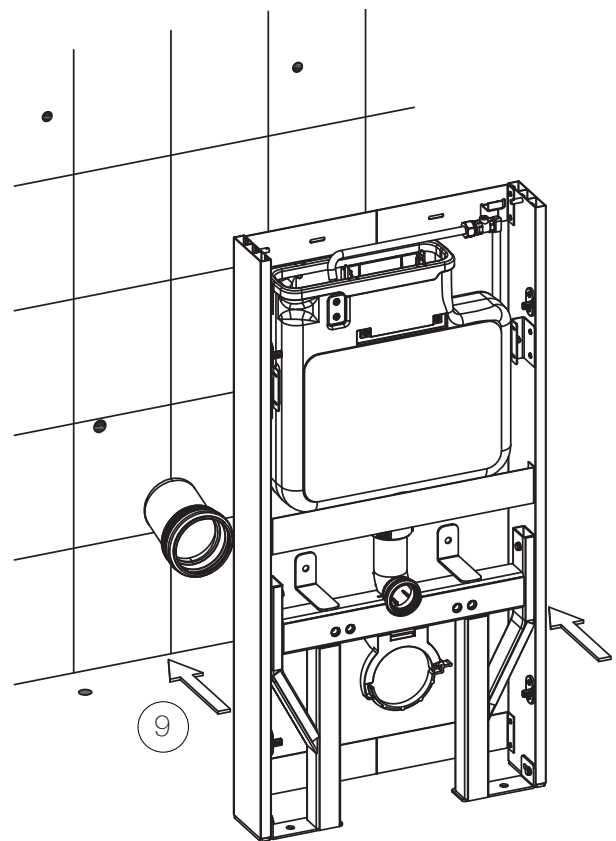
As indicated, mark out 4 points onto the wall and 2 points onto the ground



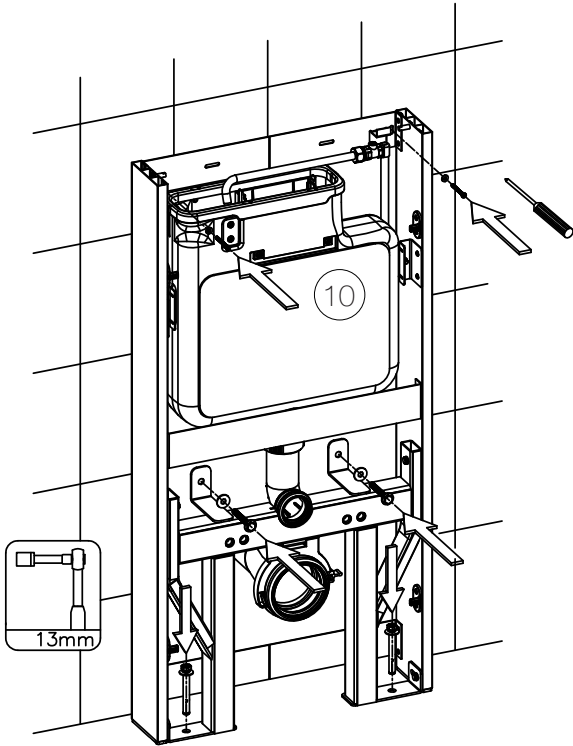
Move the cistern aside.



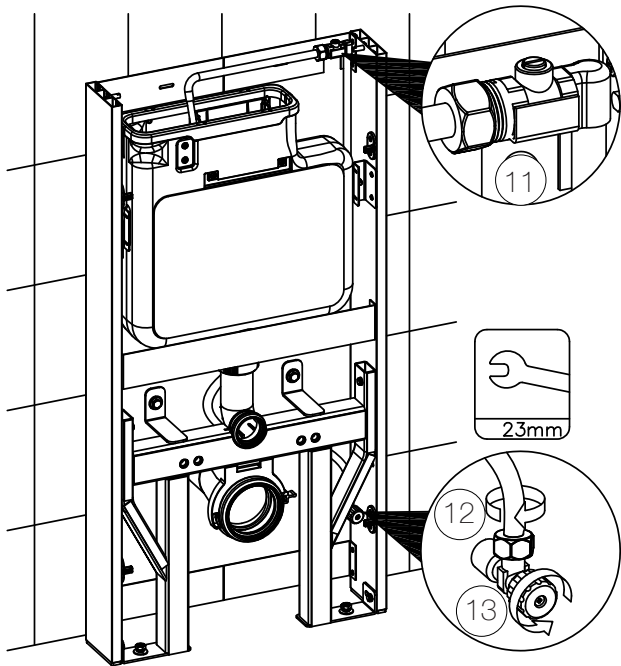
Drill onto the marked points (The depth of the holes have to be longer than the expansion nuts. Hole diameter as indicated above). Insert the expansion nuts into the holes after



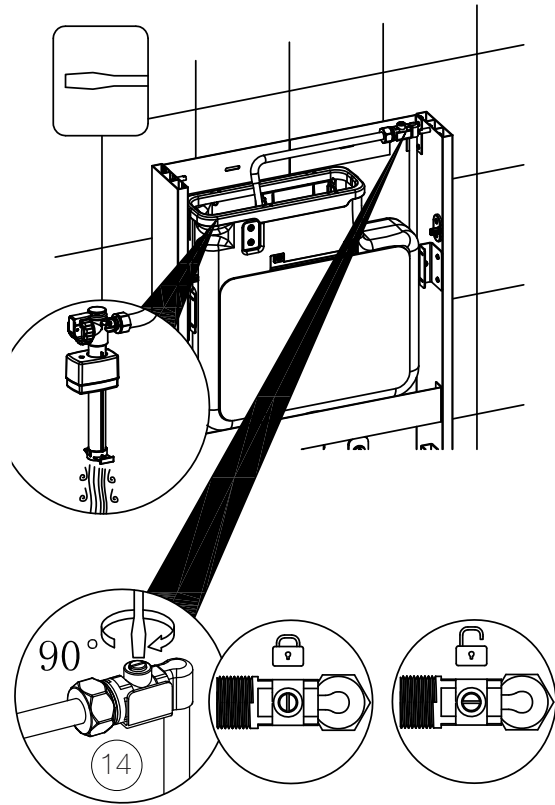
Align the cistern frame with the holes and buckle the flush pipe



Insert the indicated screws into the expansion nuts into the wall, and screw the steel bolts into the ground as well

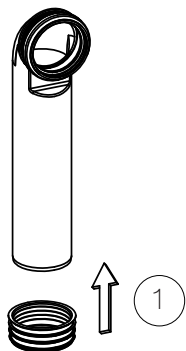


Insert the flexible hose into the hook on the backpanel, then connect the flexible hose to the stop valve and turn it open.

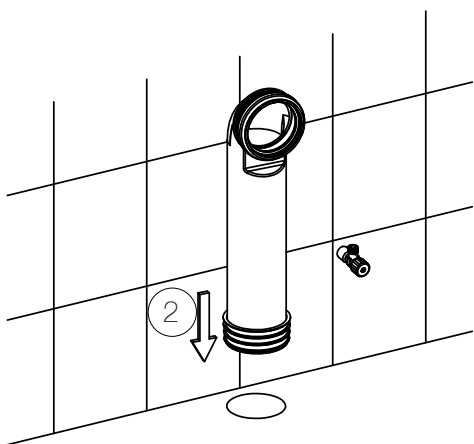


Open the stop valve on the hose and check the working condition of the cistern

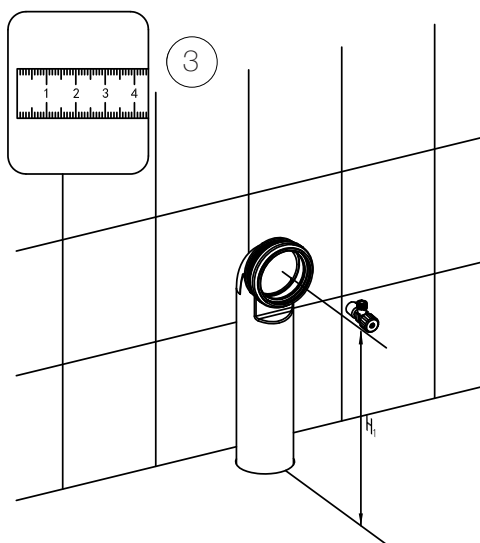
3 | Ground drainage Installation:



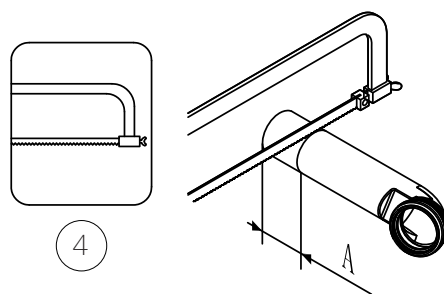
Insert the rubber seal to the drainage pipe.



Insert the drainage pipe into the hole on the floor.
(Ensure the pipe is thoroughly inserted)

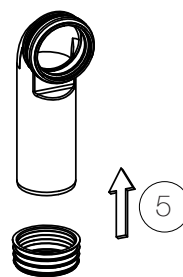


Measure the length H1 between the floor and
the center of the hole in the drainage pipe.

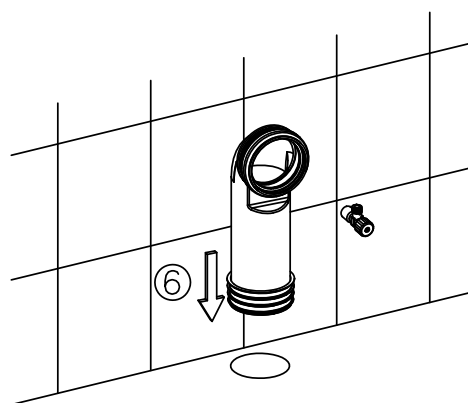


$$A = H_1 - 240$$

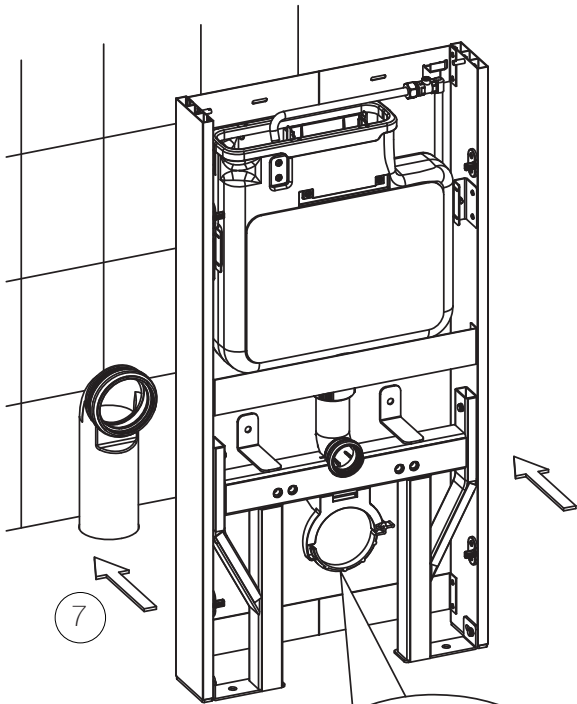
Cut the of the excess length of the pipe as
indicated (A)



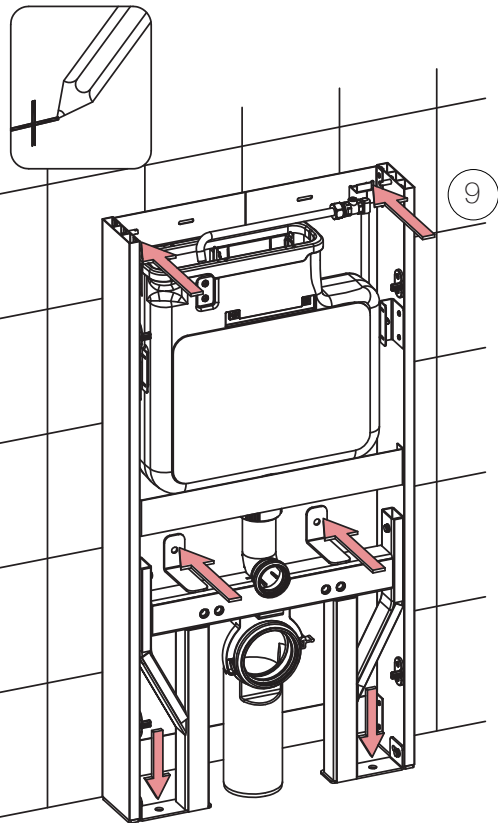
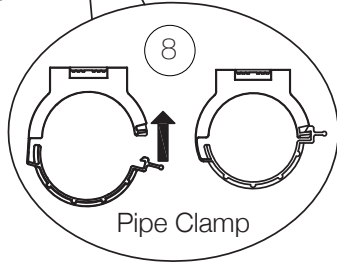
Reinsert the rubber seal into the drainage pipe



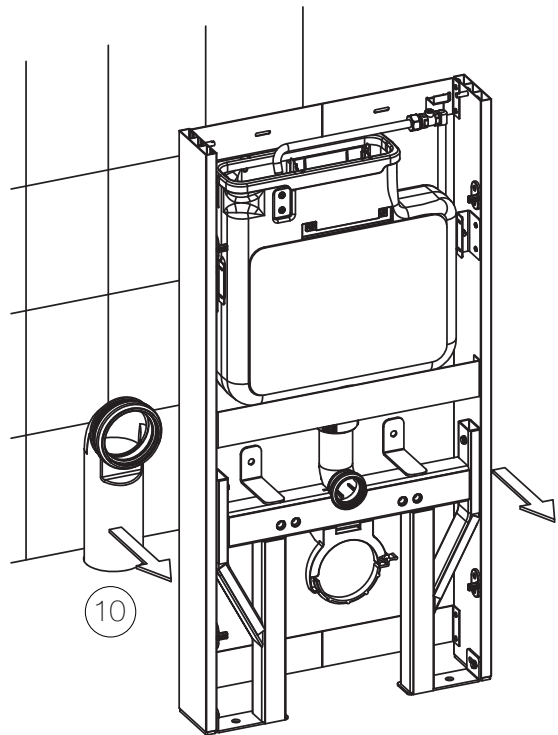
Reinsert the drainage pipe into the hole on the floor.
(Ensure the pipe is thoroughly inserted)



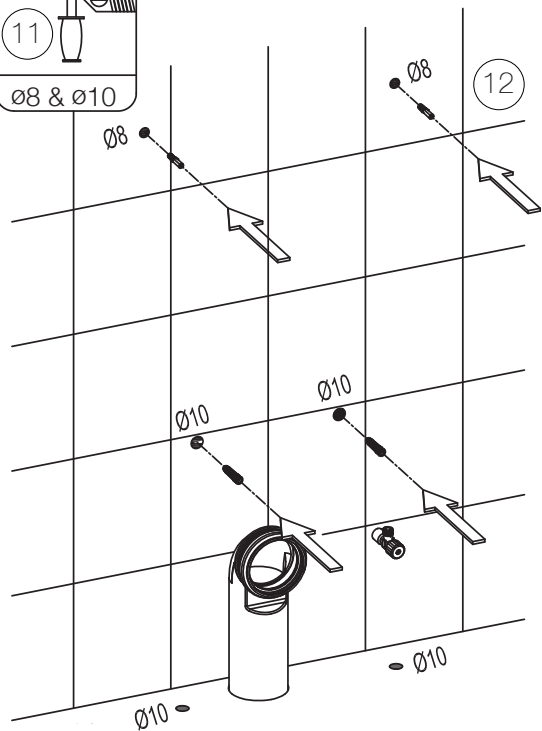
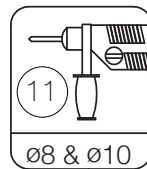
Lean the whole cistern to the wall and use the pipe clamp to fasten the drainage pipe



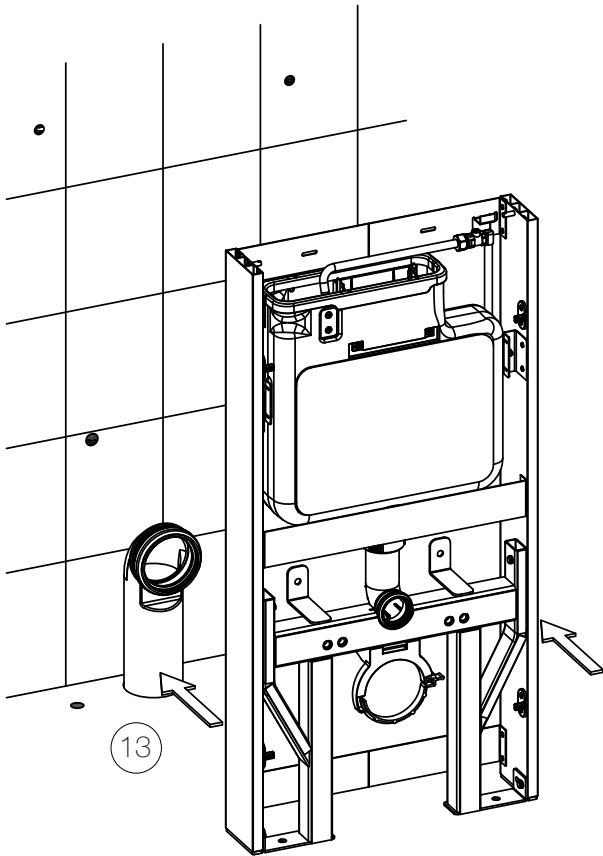
As indicated, mark out 4 points onto the wall and 2 points onto the ground



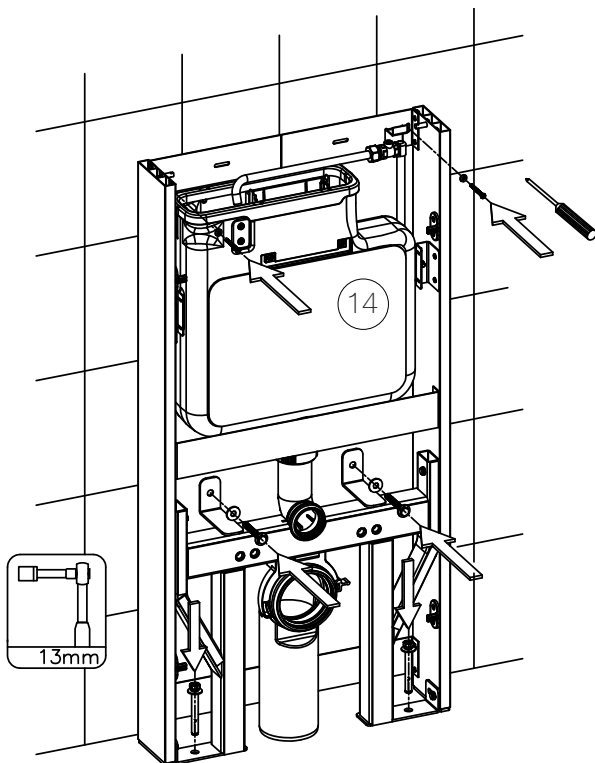
Move the cistern aside.



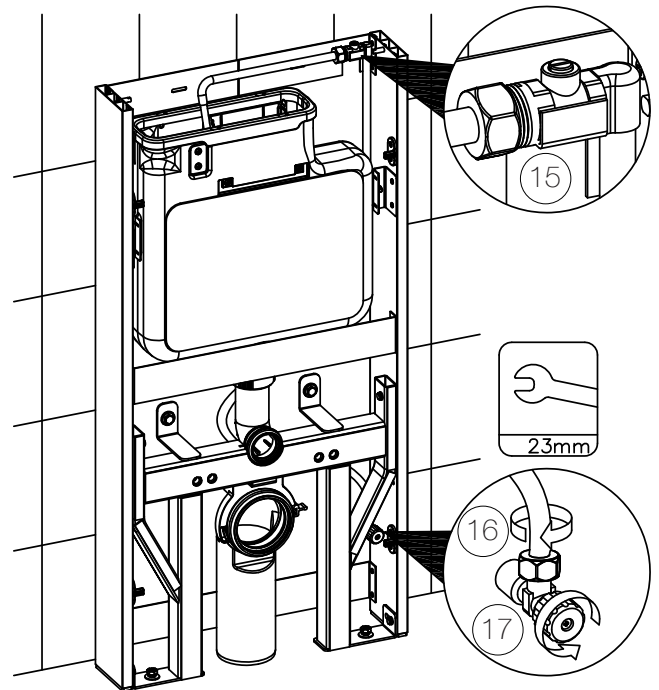
Drill onto the marked points (The depth of the holes have to be longer than the expansion nuts. Hole diameter as indicated above). Insert the expansion nuts into the holes after



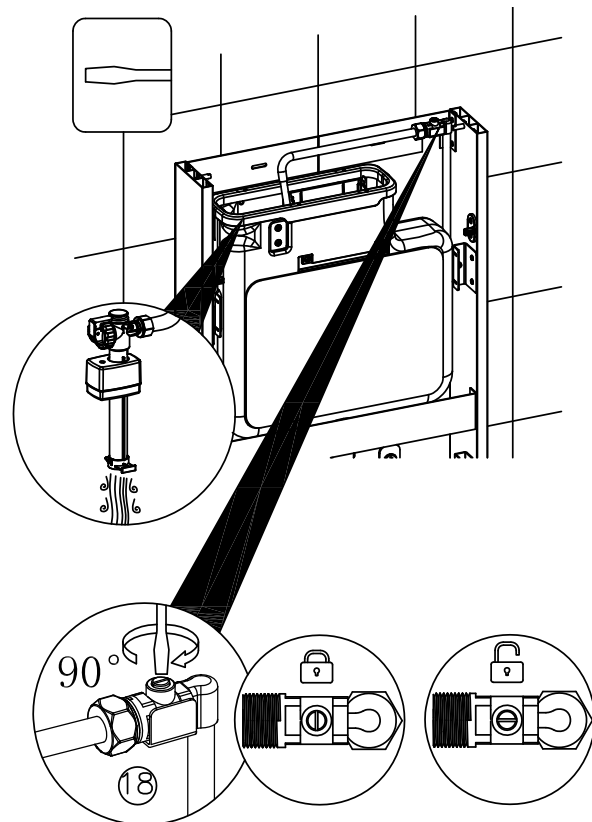
Align the cistern frame with the holes and buckle the flush pipe



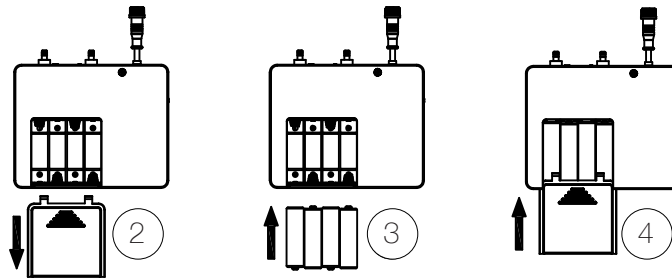
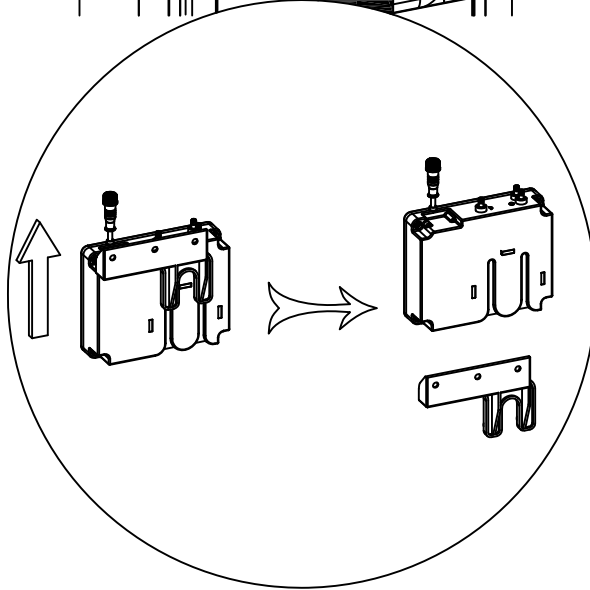
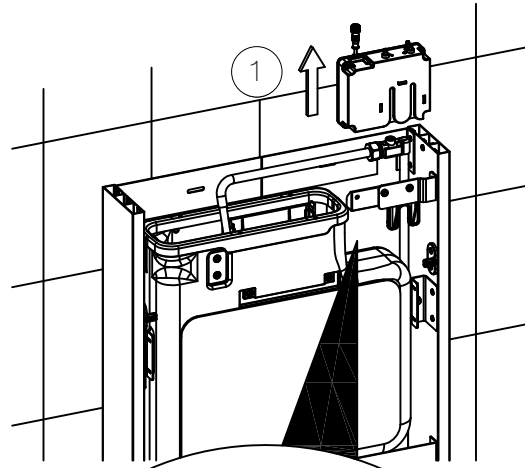
Insert the indicated screws into the expansion nuts into the wall, and screw the steel bolts into the ground as well



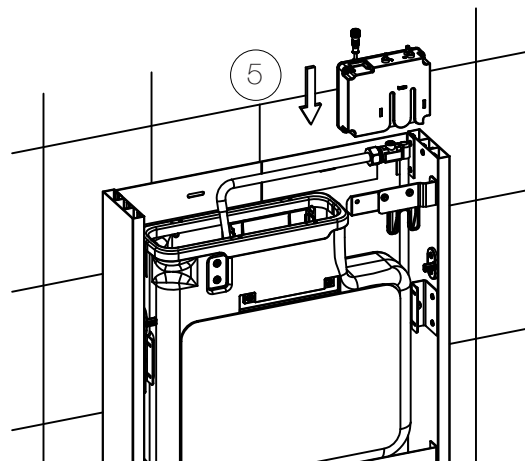
Insert the flexible hose into the hook on the backpanel, then connect the flexible hose to the stop valve and turn it open.

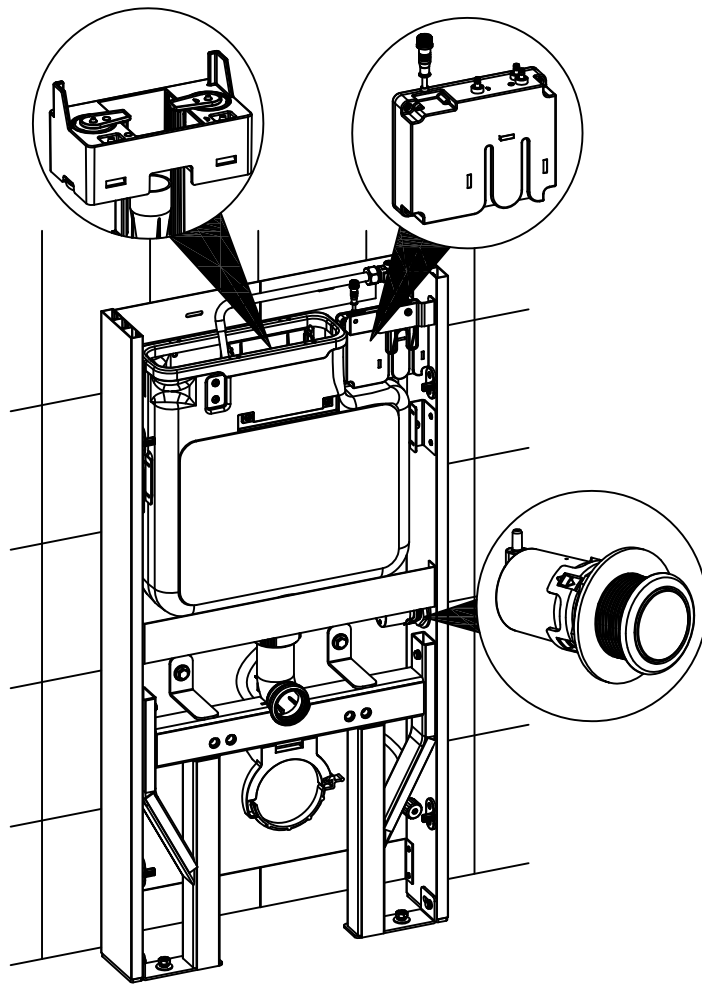


Open the stop valve on the hose and check the working condition of the cistern

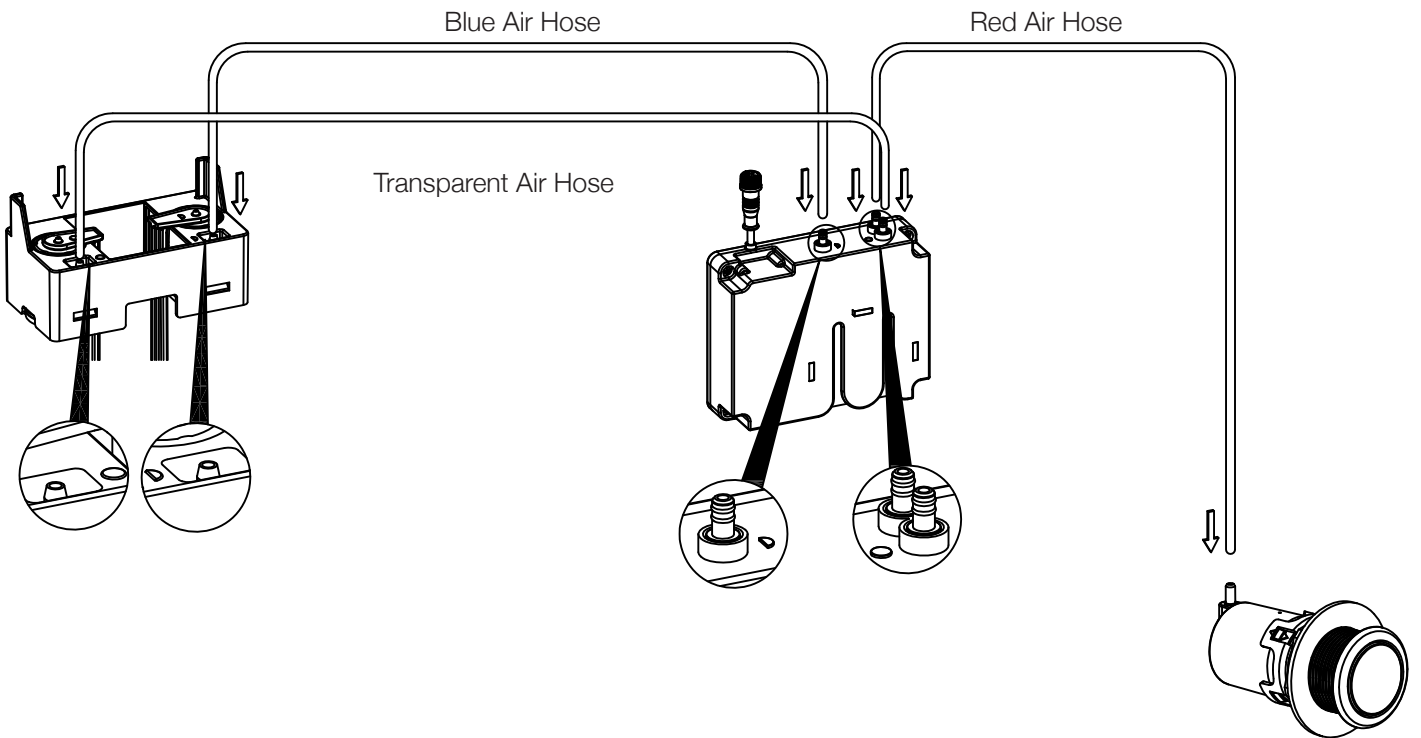


Mark: All batteries should be AAA batteries.
Never mix old and new batteries in the appliance

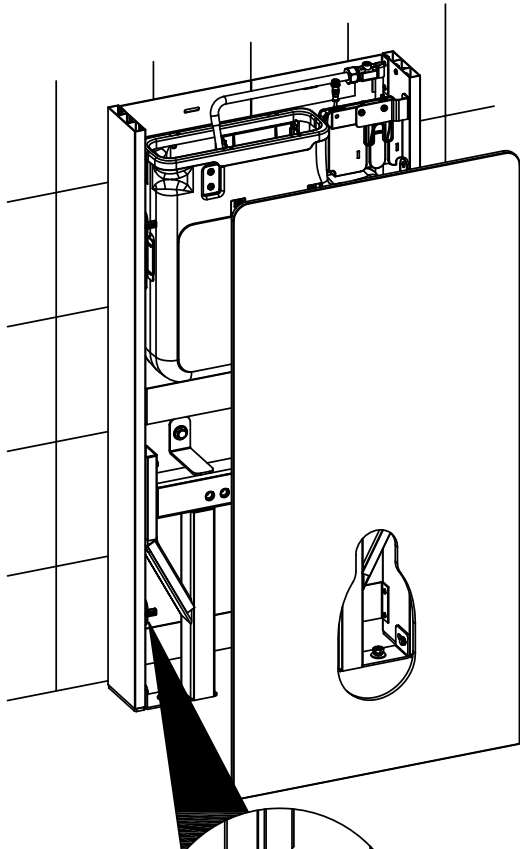




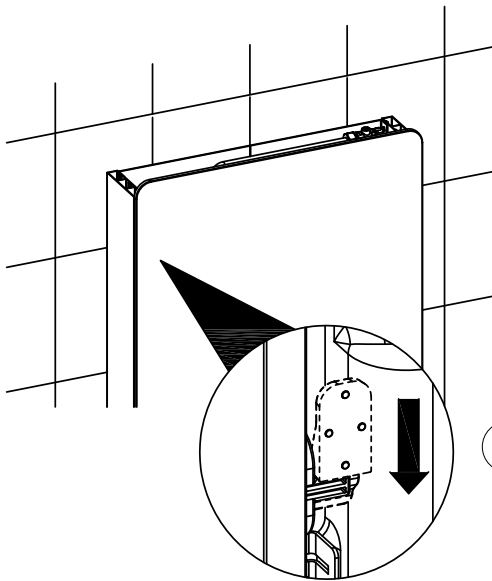
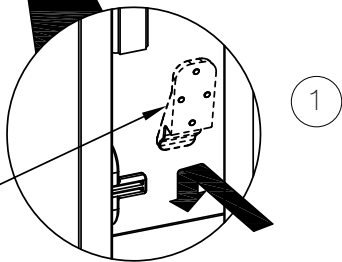
6



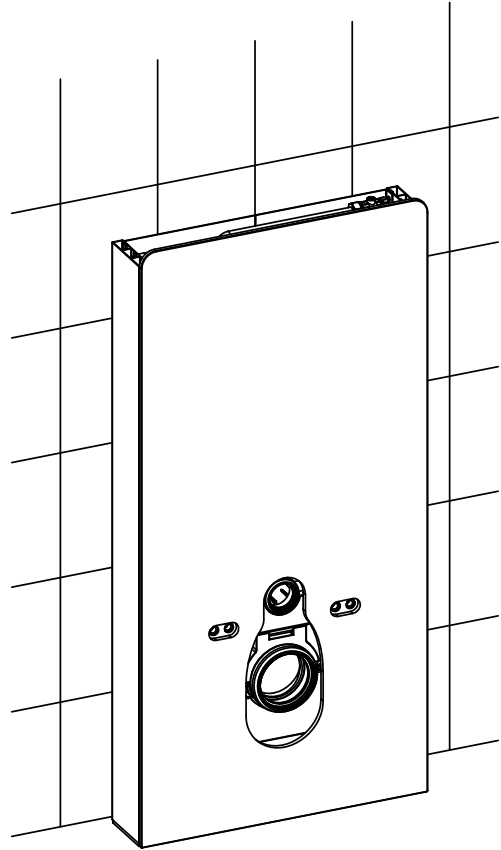
5



Glass support
buckle
mounted on
glass (4pcs)

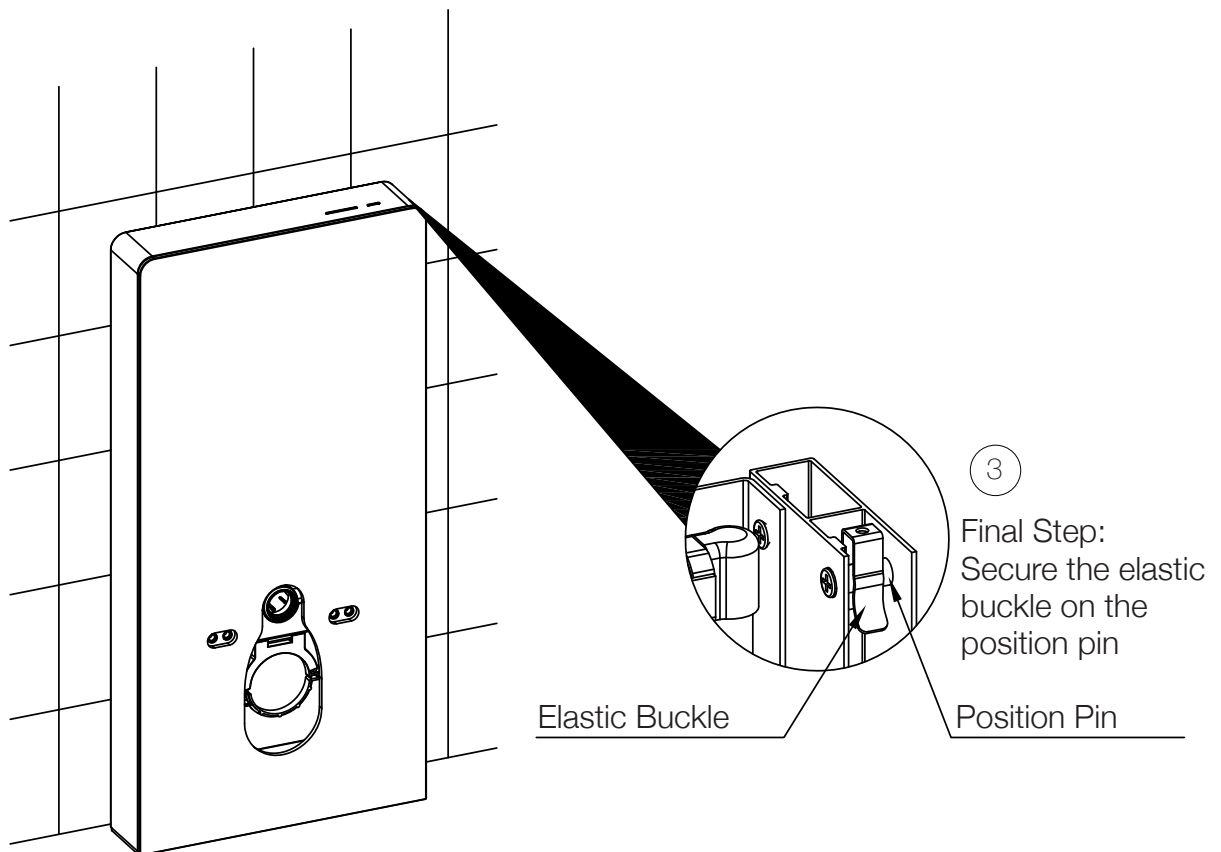
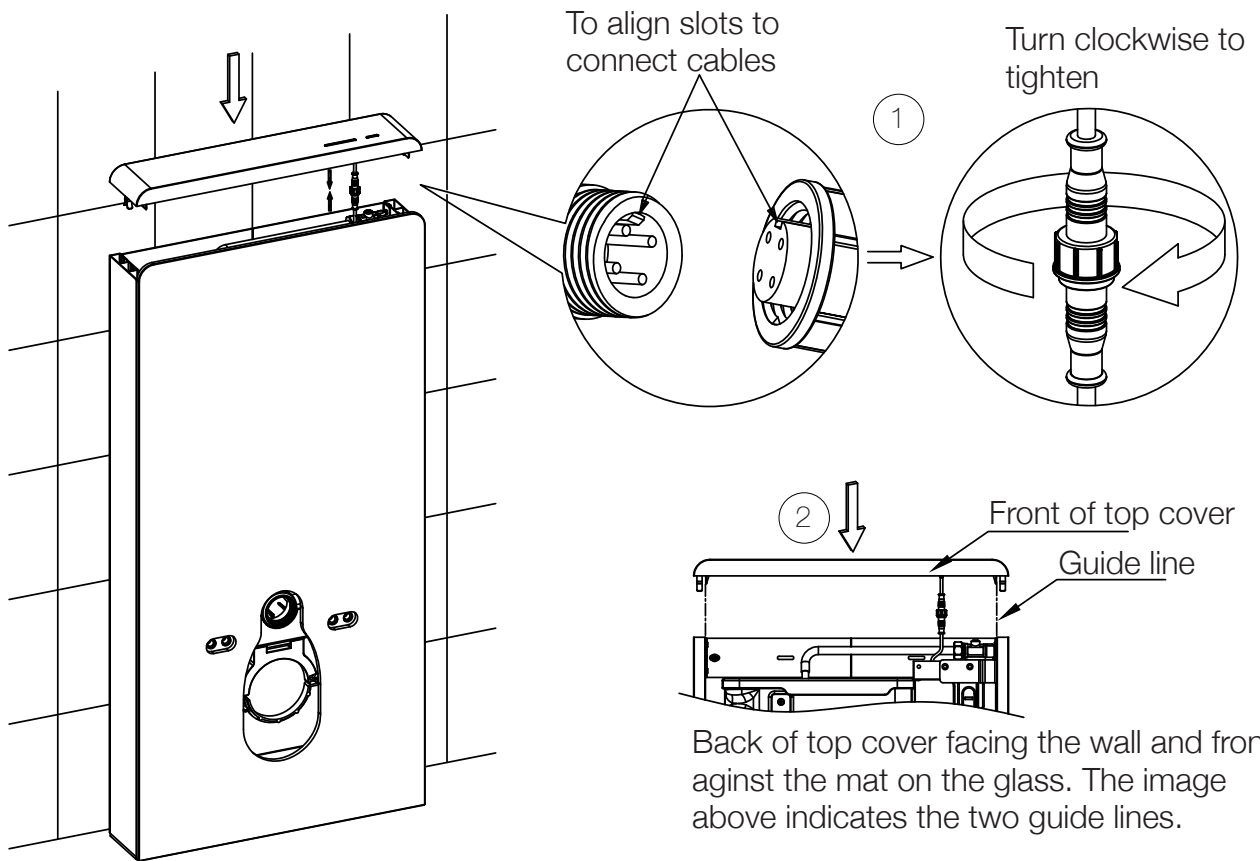


Install the glass into the frame and push
the glass support buckle until the glass is
mounted firmly

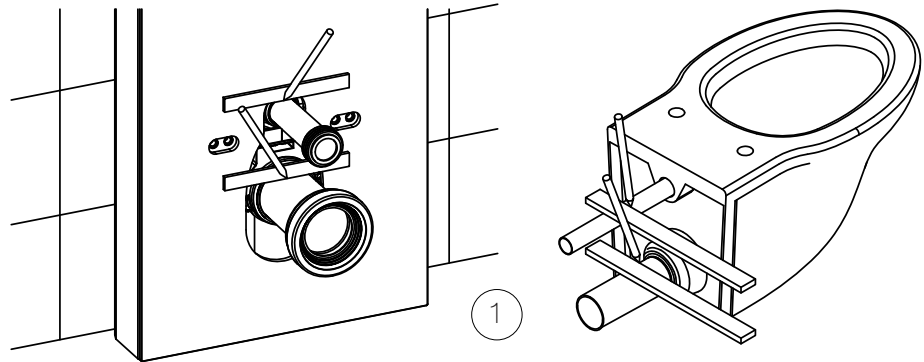
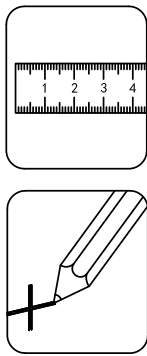


6

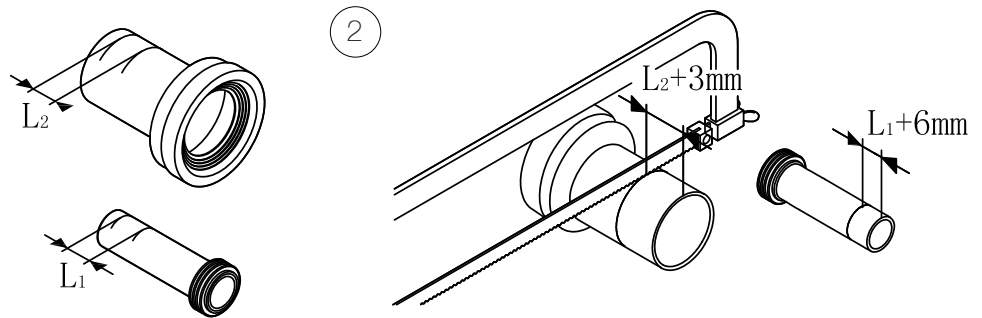
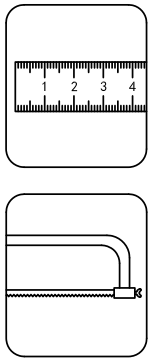
Top Cover Installation



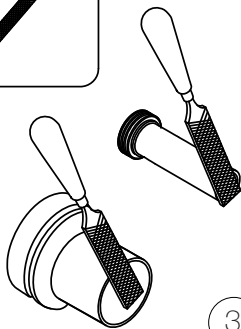
7



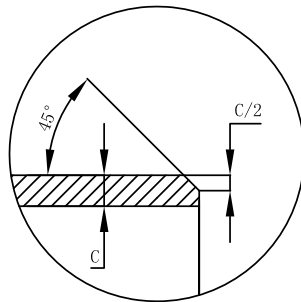
Mark out the position to cut on the flush pipe and the drainage pipe



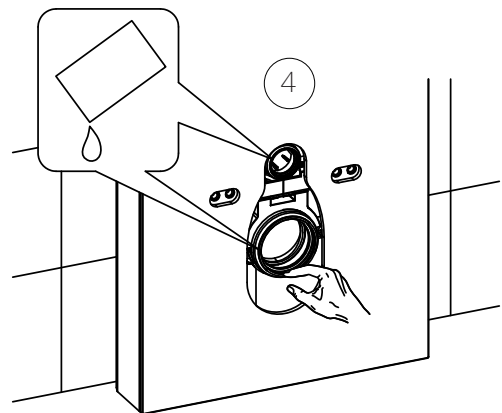
Cut along the marked out area on the flush pipe and drainage pipe



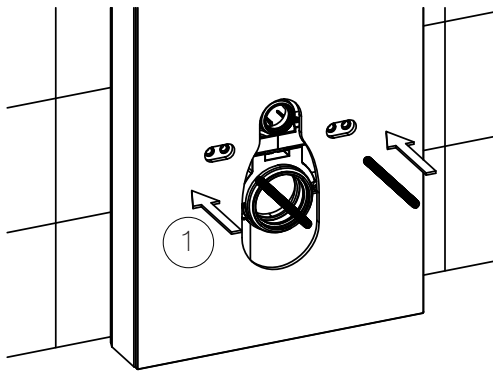
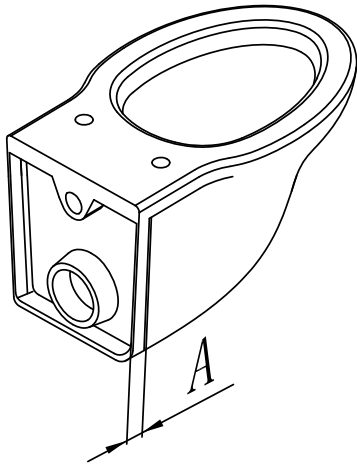
3



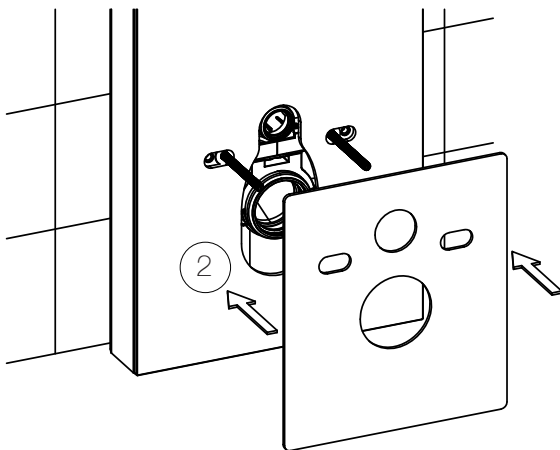
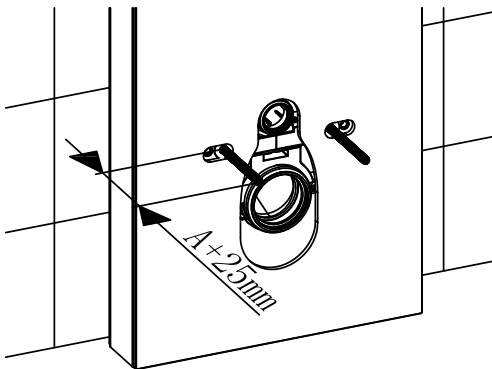
File a 45° chamfered edge on the flush pipe and drainage pipe



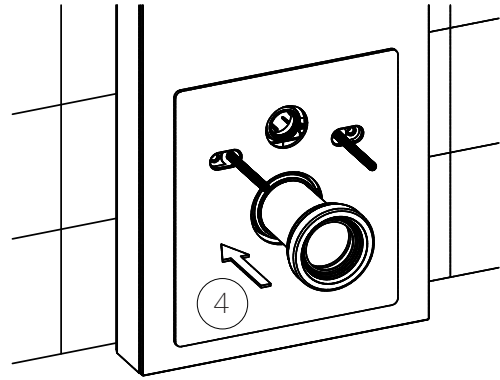
Apply silicon oil along the edges



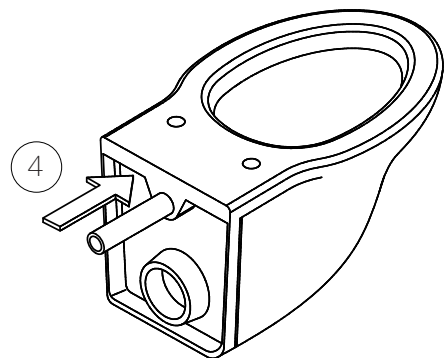
Screw the bolts into the cistern frame



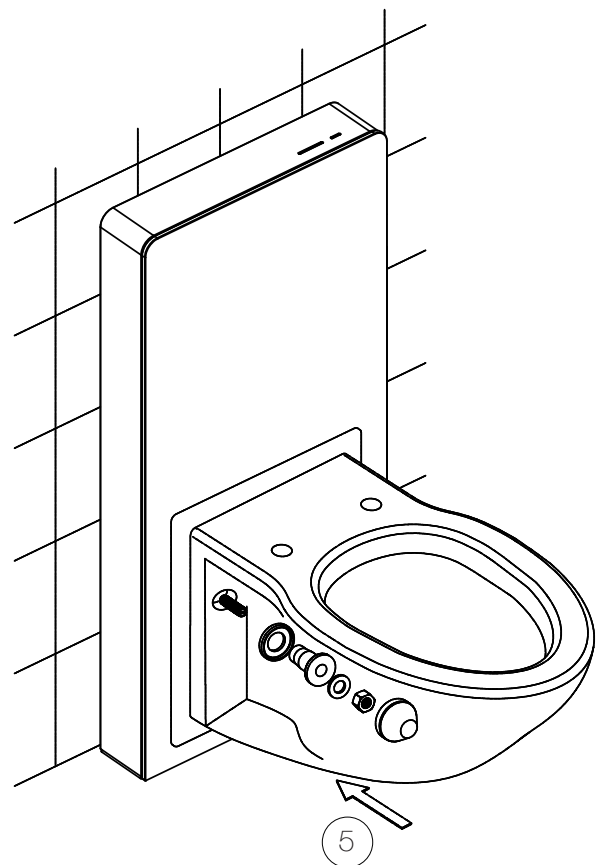
Install toilet mat



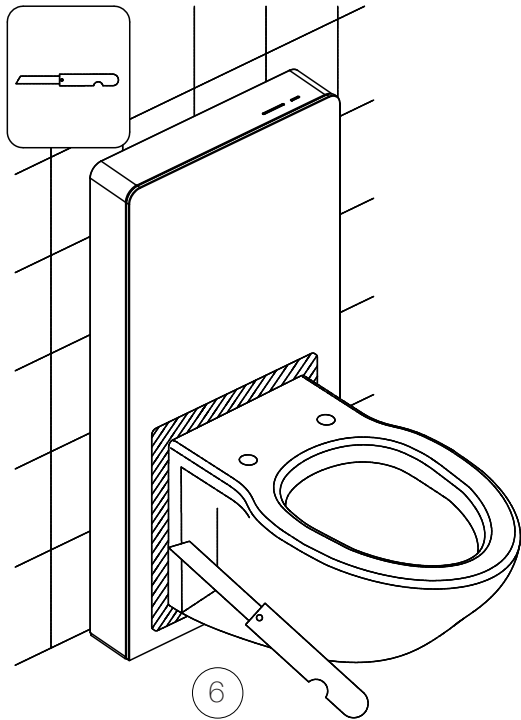
Install the flush pipe into the cistern



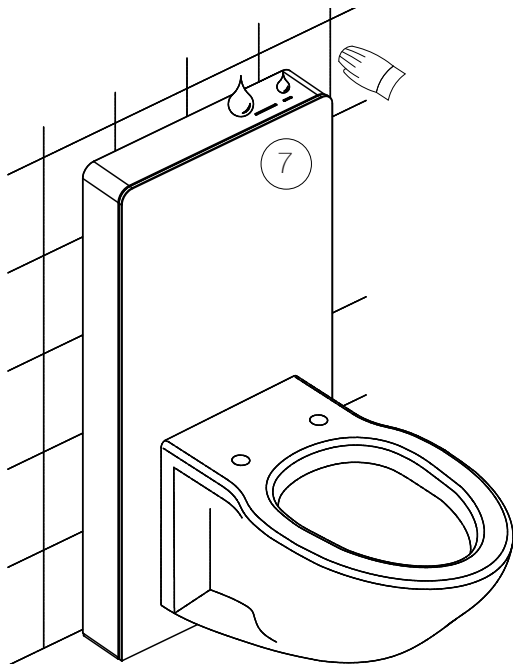
Install the flush pipe



Install toilet



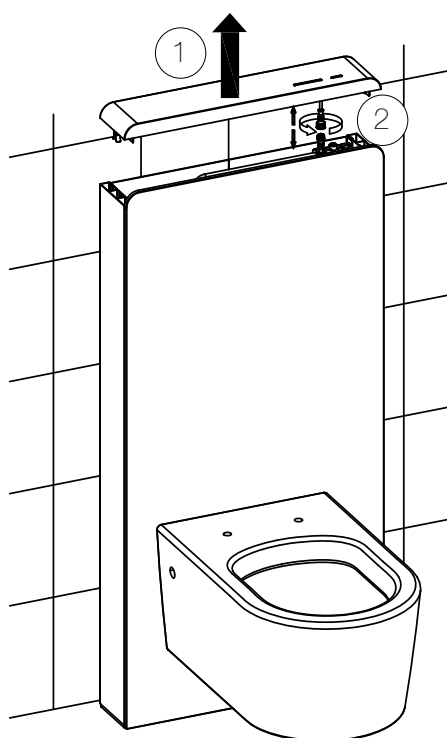
Cut off excess portions of the toilet mat



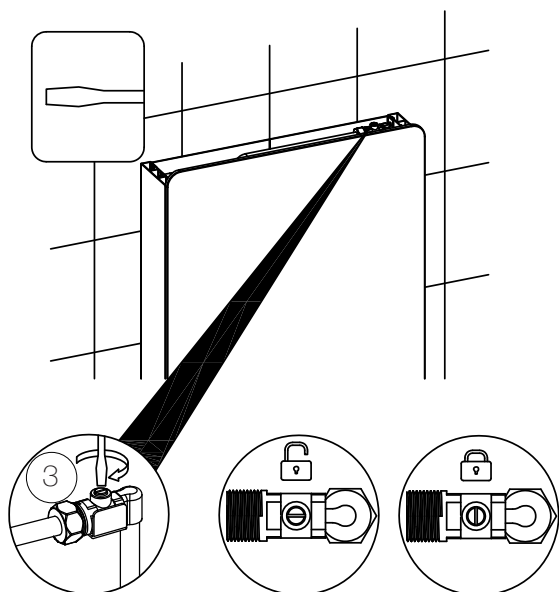
The effective range of the sensor is at 50mm from sensor surface. Wave hand above the sensor surface to test function of full flush and half flush

Maintenance and Daily Care

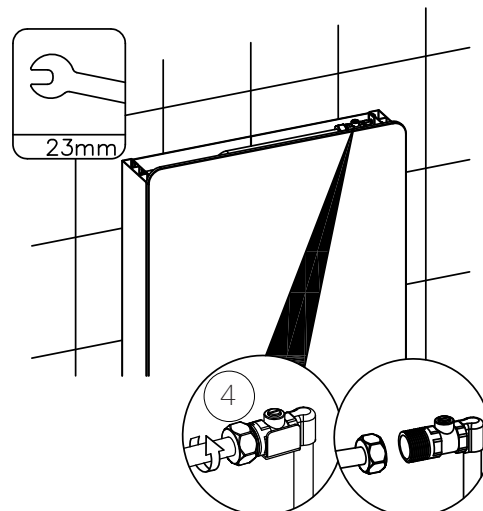
1.1 Inlet Valve removal



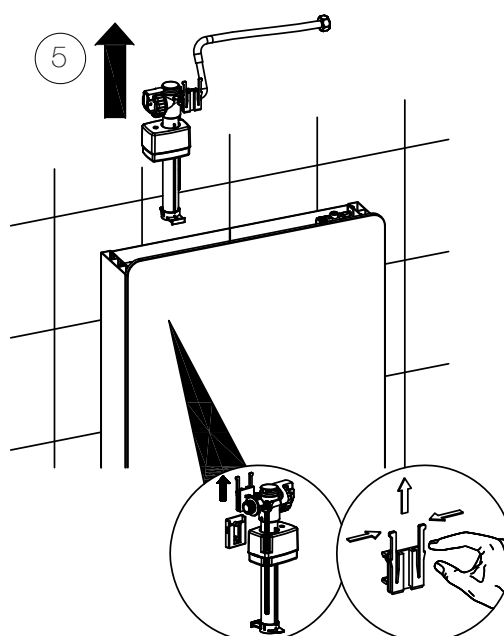
Open the cover and loosen the male and female plugs



Turn off the stop valve on the flexible hose

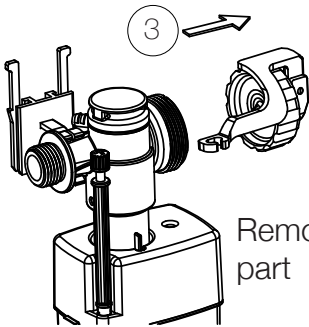
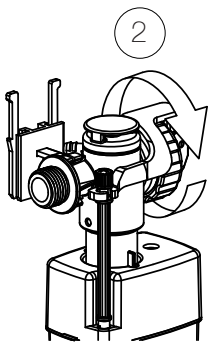
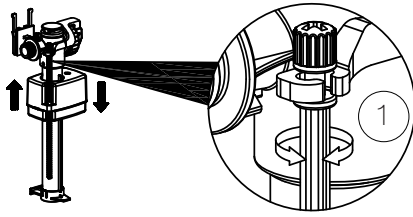


Unconnect hose and the valve

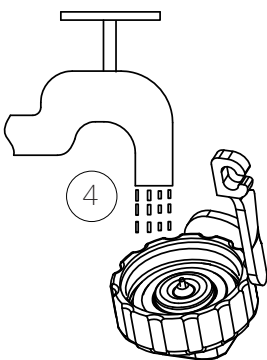


Take off the inlet valve upwards

1.2 Inlet Valve Adjustment & Clean

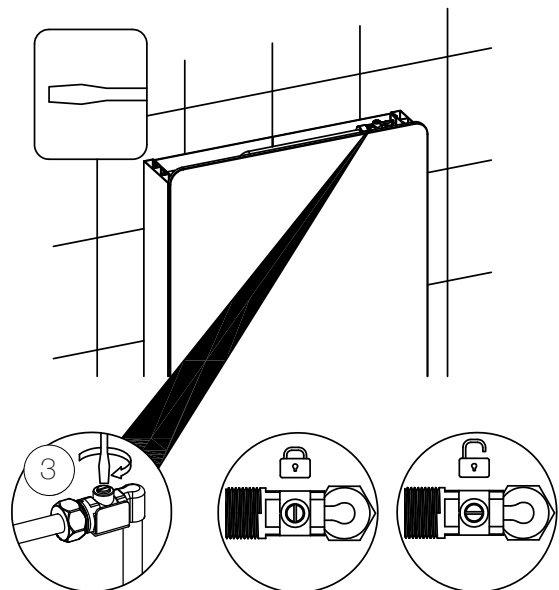
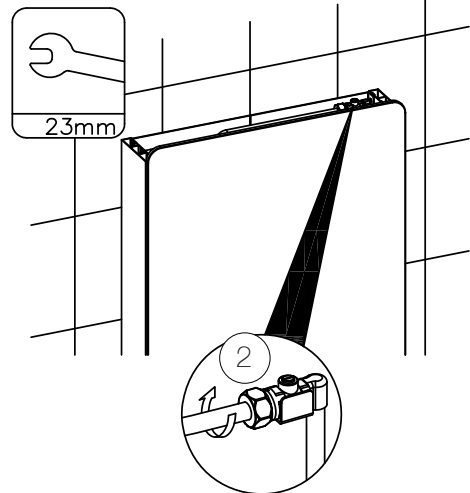
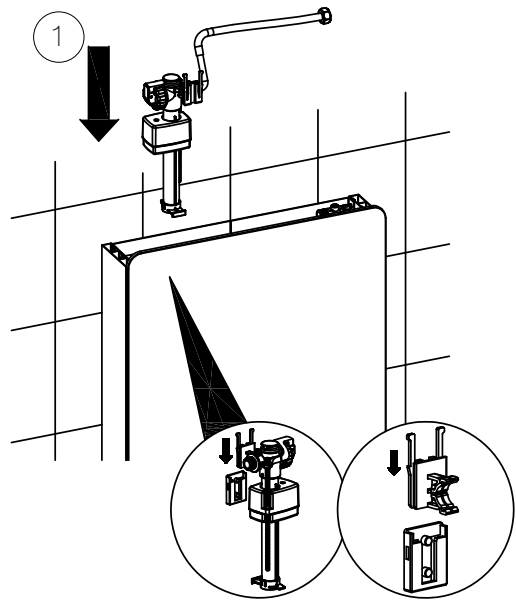


Remove the water-stopping part

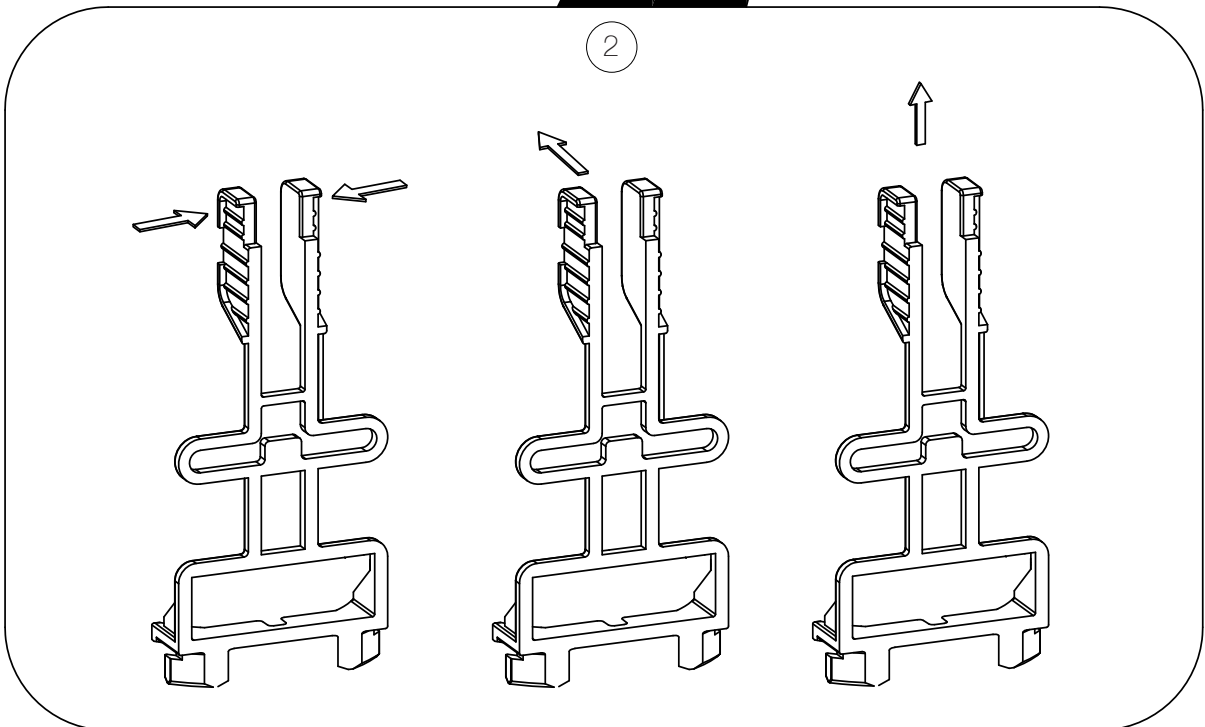
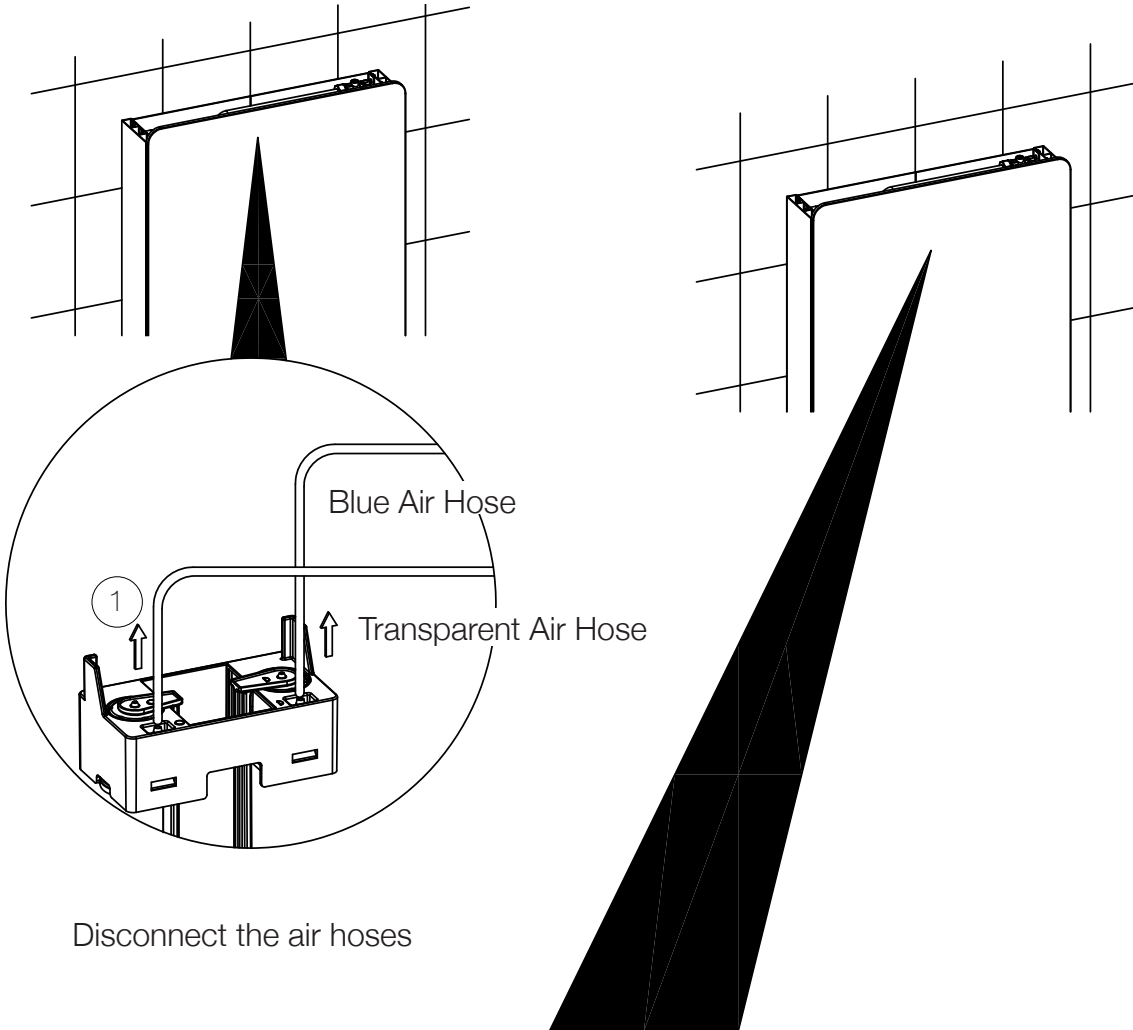


Wash the part removed

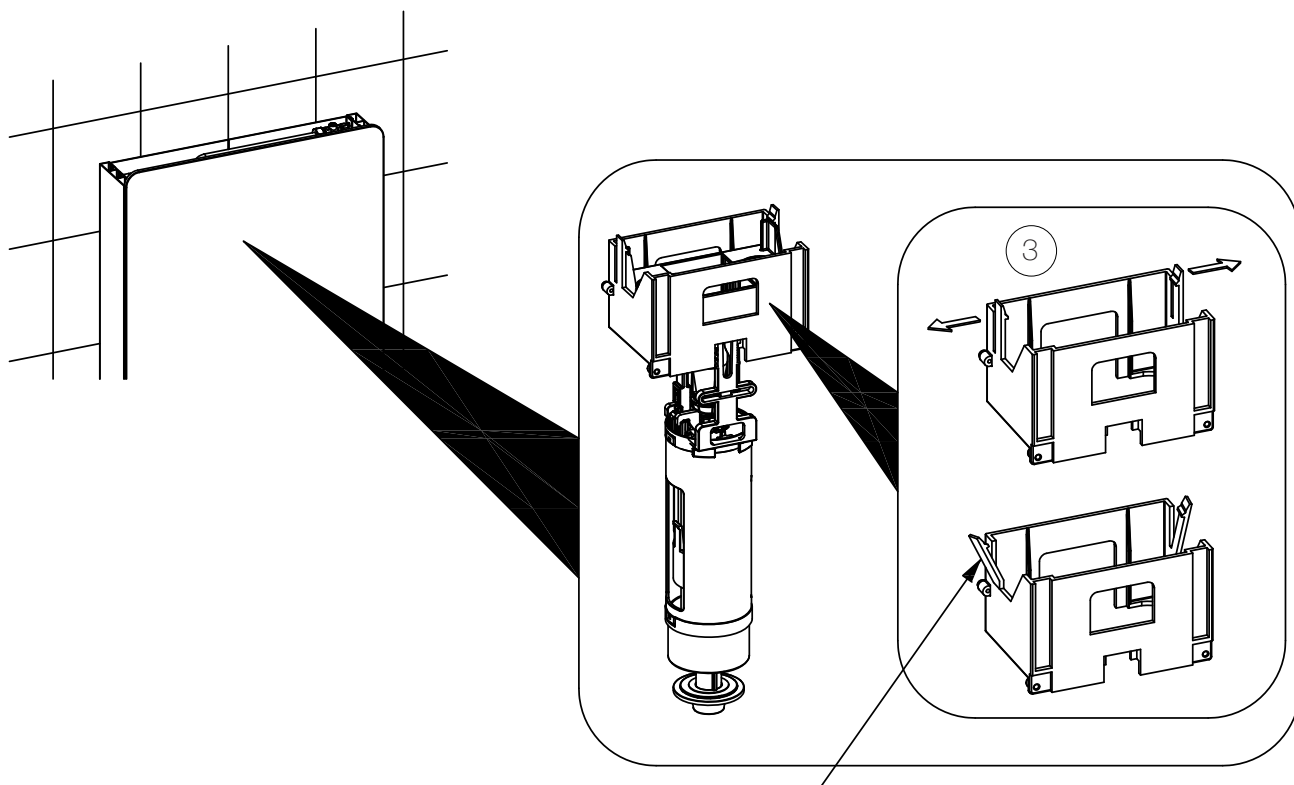
1.3 Inlet Valve Installation



2.1 Flush Valve Removal

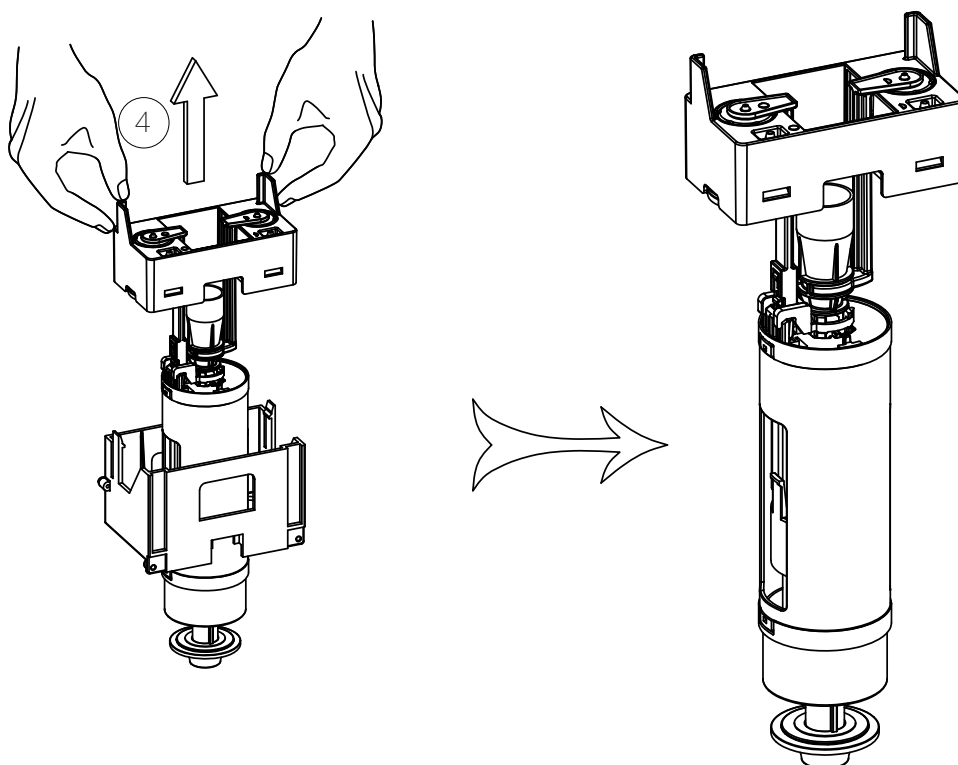


Remove the lever

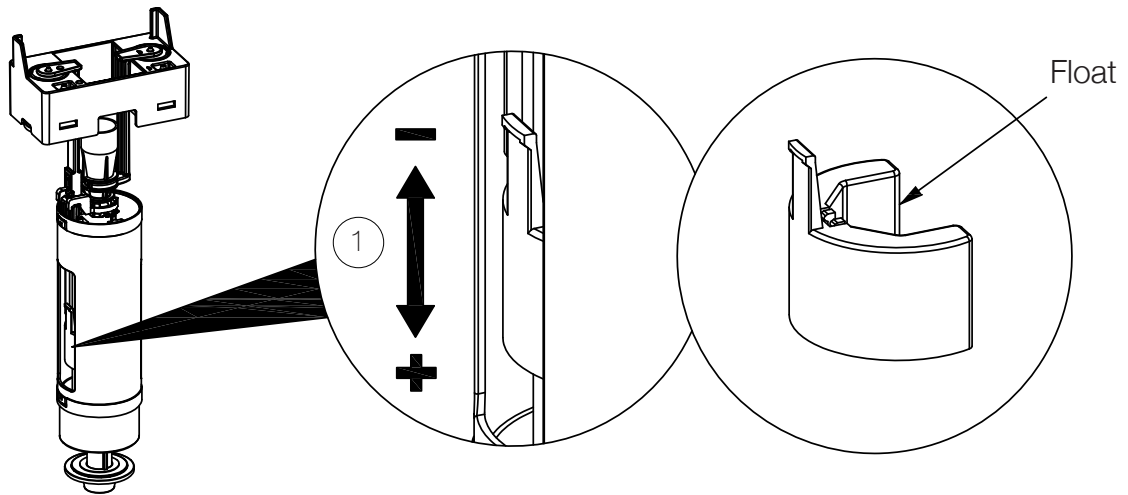


Buckles on the cistern hanger

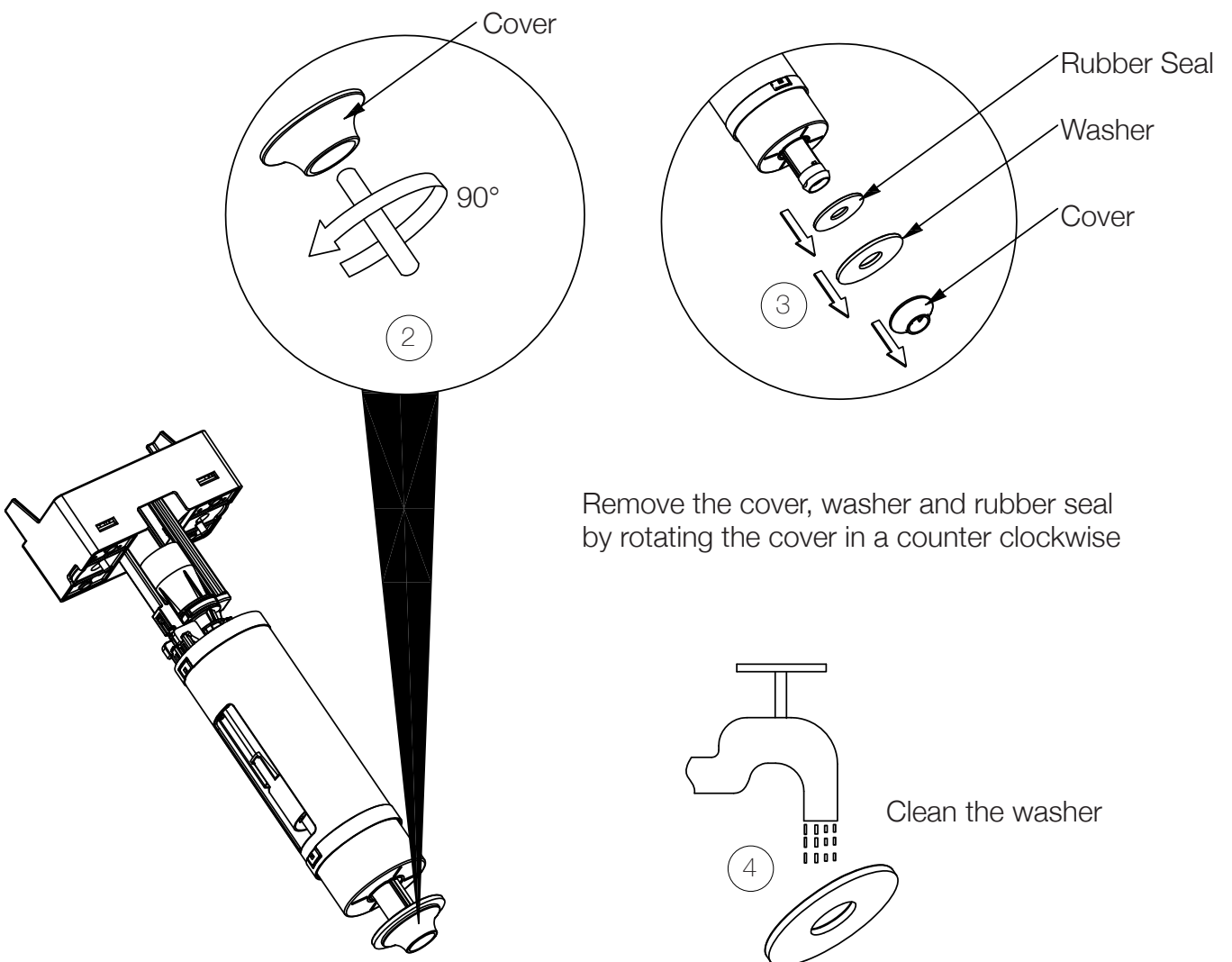
Lift the flush valve upwards after opening the buckles on the cistern hanger



2.2 Flush Valve Adjustment & Cleaning



Adjust the float upwards or downwards to reduce or increase the flush volume



2.3 Flush Valve Installation

