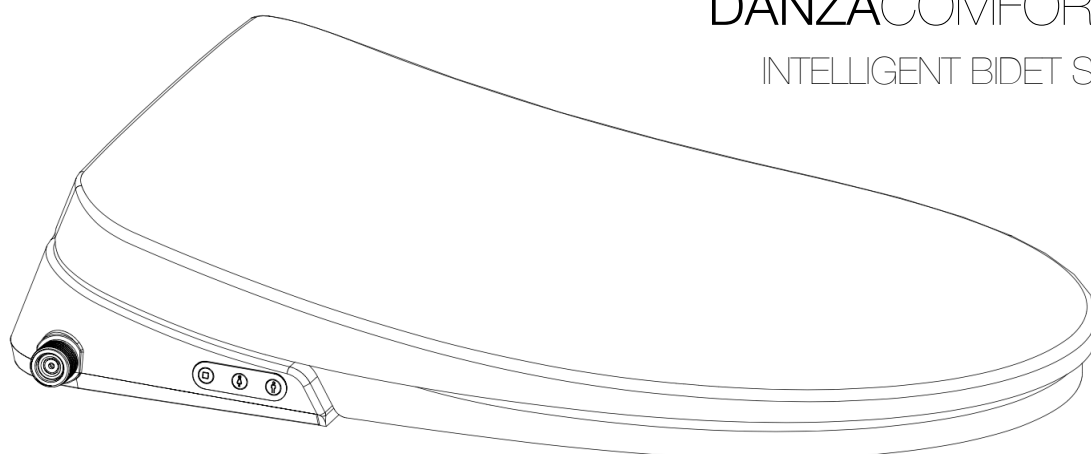


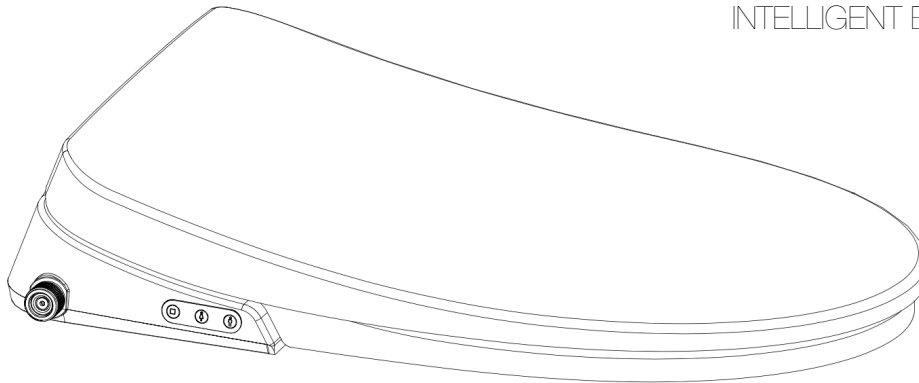
INSTALLATION & OPERATION INSTRUCTIONS

DANZACOMFORT+
INTELLIGENT BIDET SEAT



DANZACOMFORT+

INTELLIGENT BIDET SEAT



EXPLANATION OF SYMBOLS



DANGER

Refers to a potentially dangerous situation that may cause serious injury or death .



CAUTION

Refers to a potentially dangerous situation that may cause injury or damage to property.



STOP

Do not touch or interfere.



TAKE NOTICE

Follow the instructions accordingly.



CAUTION

Gallaria shall not be liable for any loss arising from the failure to comply with the following:

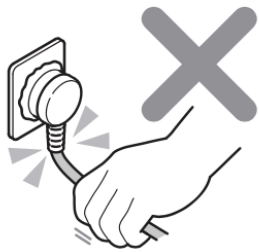
1. This toilet is considered to be a Class I (1) electric appliance, and therefore must be 'grounded' by a qualified and licensed electrician to prevent damage, injury or death.
2. Please ensure the electrical components are not installed where it can easily be splashed with water.
3. Please ensure the toilet is installed in a bathroom with adequate ventilation, e.g. window ventilation or a bathroom exhaust fan(s).
4. If the supply cord is damaged, please ensure it is replaced by a qualified service agent or similarly qualified persons in order to prevent damage, injury or death.

SAFETY ADVICE

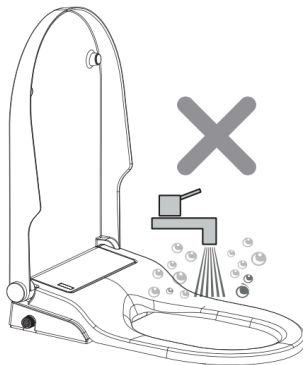
To avoid the risk of electric shock, short-circuiting, fire, water leakage and damage to the product:



DO NOT Insert or remove power plug with wet hands.

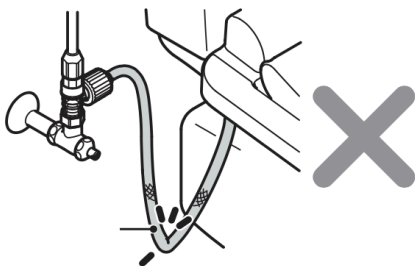


DO NOT damage the power cord and plug. Inspect both before installation to ensure all is intact.



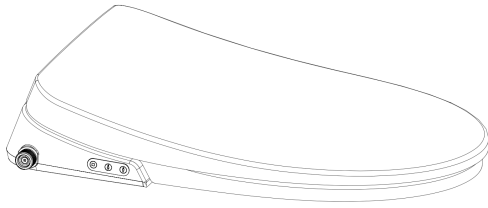
DO NOT disassemble, attempt to repair or reassemble the product.

DO NOT splash water, detergents or urine on the product and the power plug.

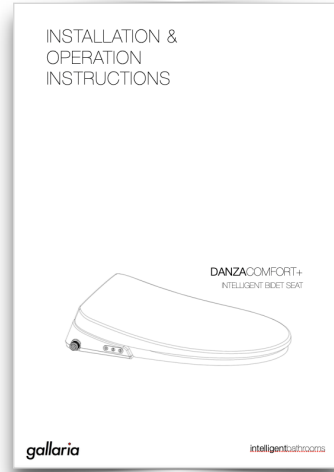


DO NOT bend or distort the inlet hose.

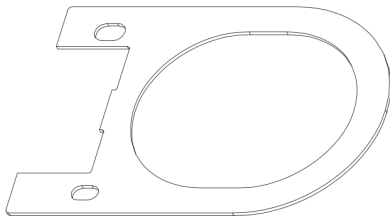
INCLUDED IN THE BOX



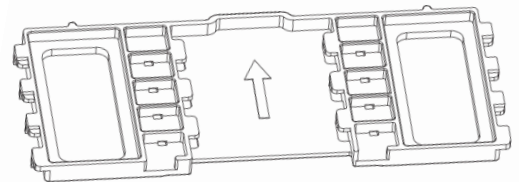
DANZACOMFORT+
Intelligent Bidet Seat



Installation & Operation
Instructions



Installation Template



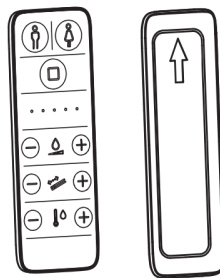
Fixing Plate



Tee Valve



Inlet Hose



Remote Control & Holder
(batteries not included)



Filter

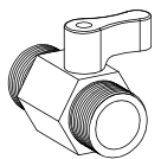


Expansion Screws

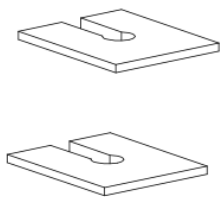


Adjustment Plates

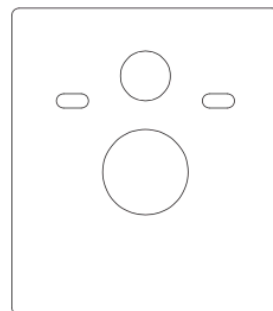
INCLUDED IN THE BOX



Ball Valve



Alignment Spacers



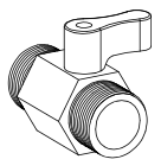
Installation Template

TOOLS REQUIRED

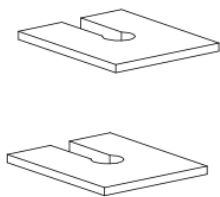


Phillips Head
Screwdriver

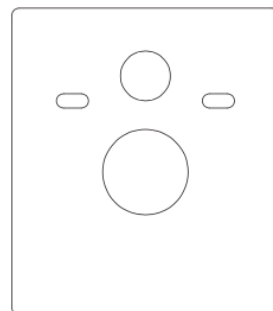
INCLUDED IN THE BOX



Ball Valve



Alignment Spacers



Installation Template

TOOLS REQUIRED

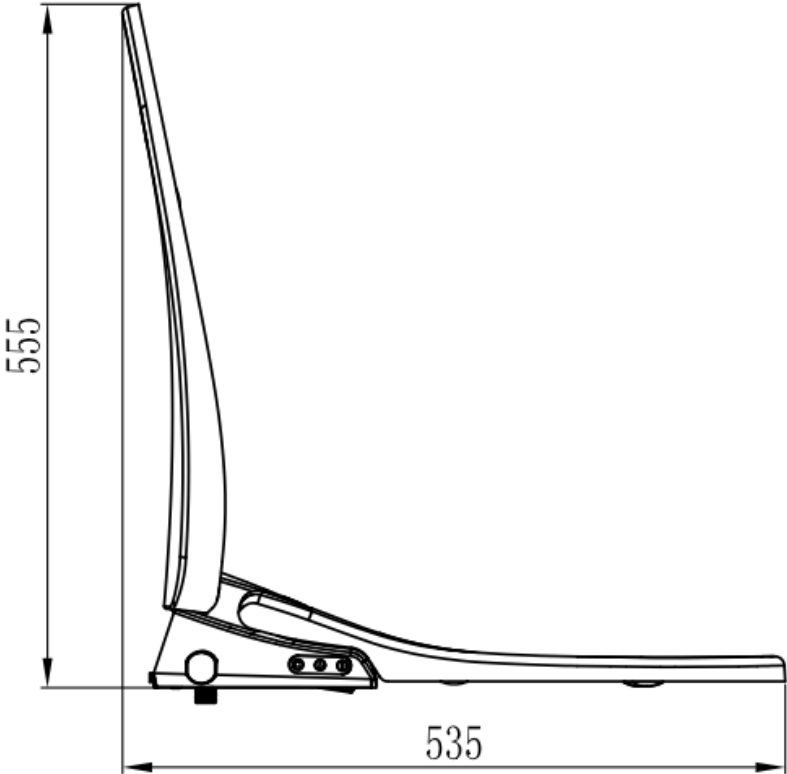
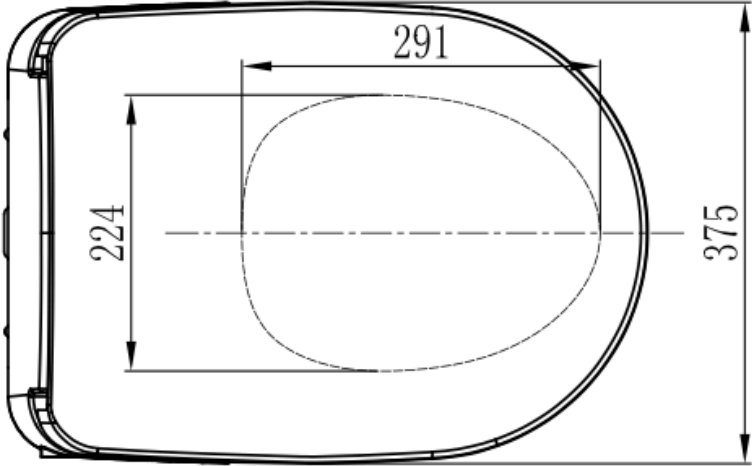
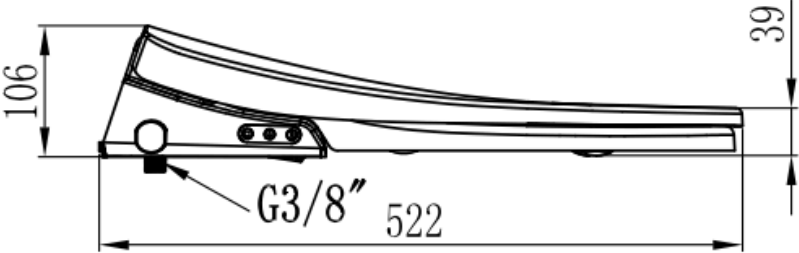


Phillips Head
Screwdriver

INCLUDED IN THE BOX

ESSENTIA COMFORT+		SPECIFICATIONS			
Wash	Rear Wash	●			
	Female Wash	●			
	Oscillating Spray	●			
	Pulsating Spray	●			
	Oscillating and Pulsating Spray	●			
	Adjustable Water Temperature	5 Steps (Default 3rd)			
	Adjustable Flow Rate	5 Steps (Default 3rd)			
	Adjustable Spray Position	5 Steps (Default 5th)			
Hygiene	Nozzle Self Cleaning	●			
	Nozzle Manually Cleaning	●			
	Night Light	●			
	Soft Closing Seat And Cover	●			
	Quick Release Seat And Cover	●			
	Body Keys	●			
	Remote Control	●			
	Descaling	●			
	Water Supply Connector	G 1/2	G 3/8	G 1/2	G 3/8
	Water Supply Direction	Right side	Bottom side	Right side	Bottom side
	Water Supply Pressure	0.07~0.75MPa(0.7~7.5Bar)			
	Water Supply Temperature	4~35°C			
	Rated Voltage	AC220-240V, 50/60HZ			
	Power	950W			
	Length Of Power Cord	about 1.8m			
	Ambient Temperature	4~40°C			
	Protection Degree	IPX4			
Wash Device	Flow Rate	350~650mL/min			
	Water Temperature	31~39°C			
	Wash Cycle Time	3 Minutes			
	Heating Mode	Tank			
	Maximum Heater Power	1260W			
	Safety Device	Thermal Cutoff Fuses\Liquid Level Switch\Thermostat			
	Backflow Prevention	Air Gap			
Remote Control	Frequency Range	2460MHz			
	Maximum RF Output Power	-10dBm			
	Type of batteries	3V CR2032 Lithium Manganese Dioxide button cell			
	Number of batteries	Two pieces			
	Other Safety Device	Residual Current Devices			
	Net Weight	7Kg			
	Dimension	521*375*106 mm			

TECHNICAL DRAWINGS

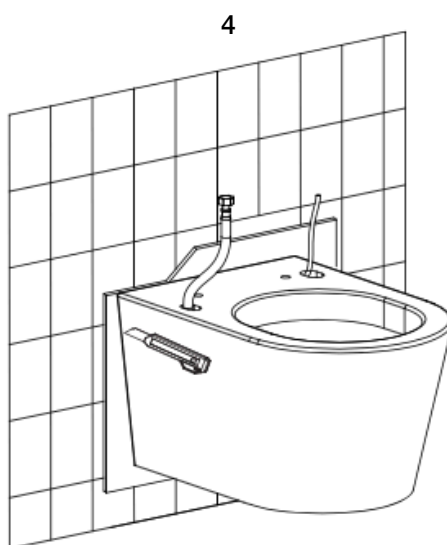
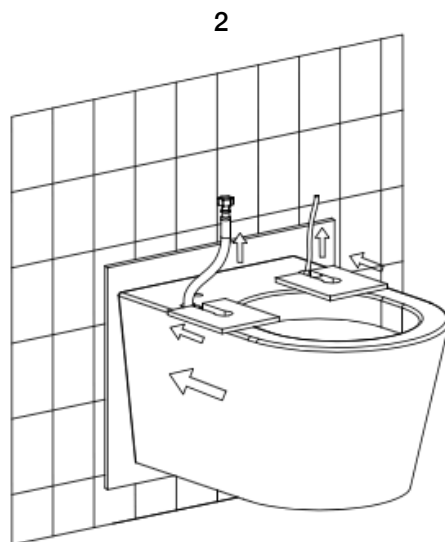
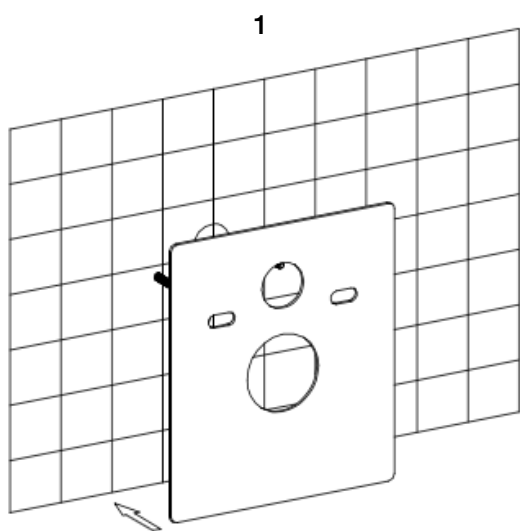
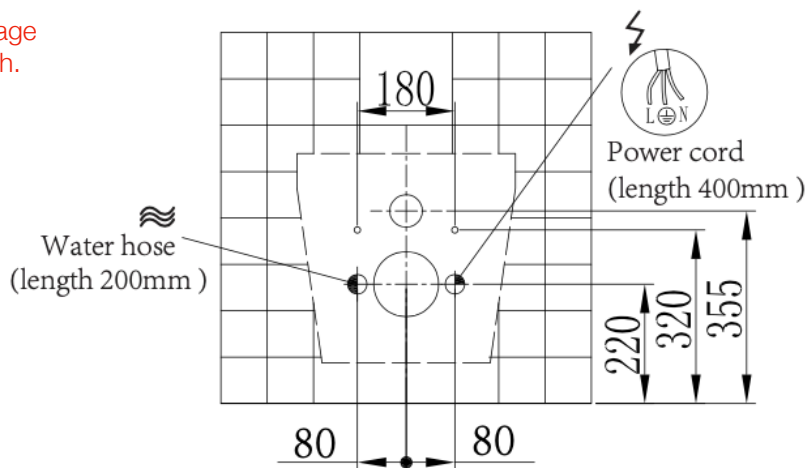




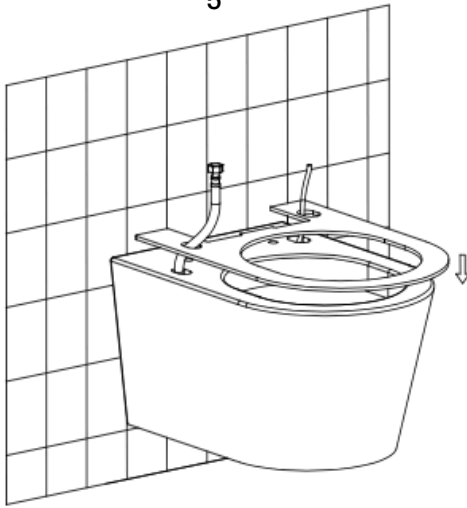
Installation must be performed by qualified and licensed tradesmen. Failure to do so may result in damage to property, personal injury or death.



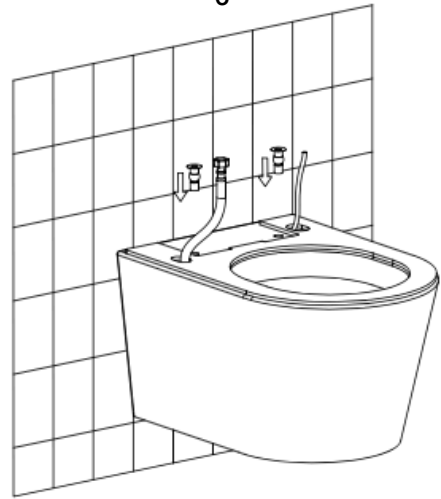
Ensure water and electrical connections are plumbed/roughed into place before installation.



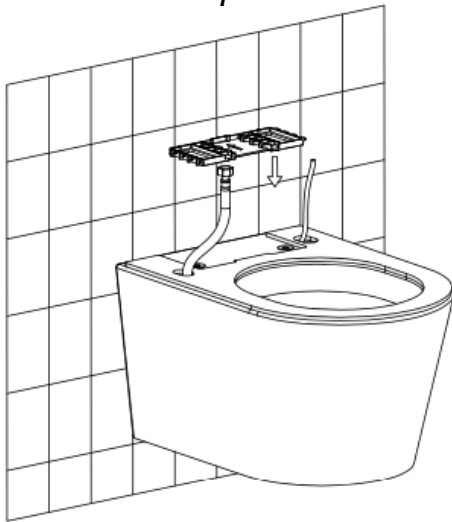
5



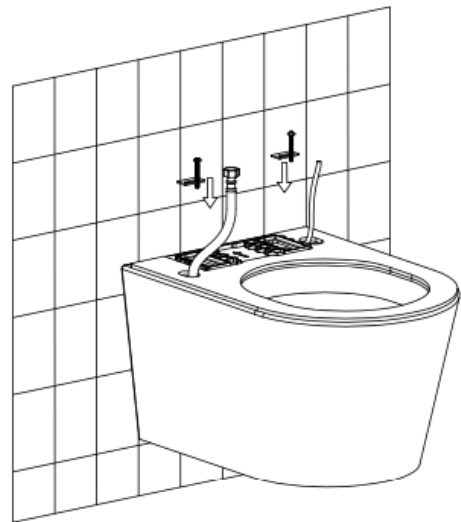
6



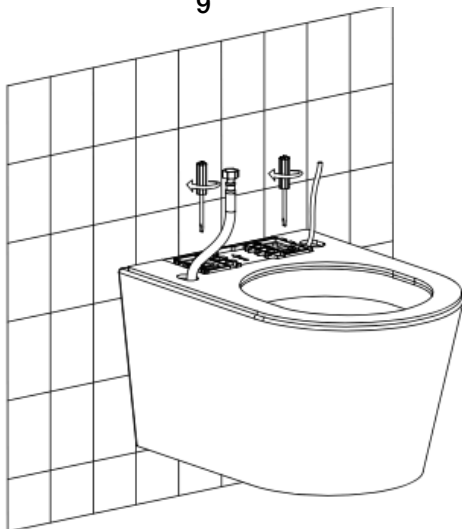
7



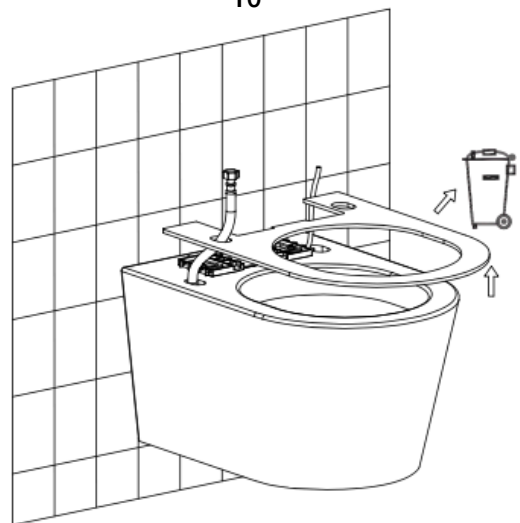
8

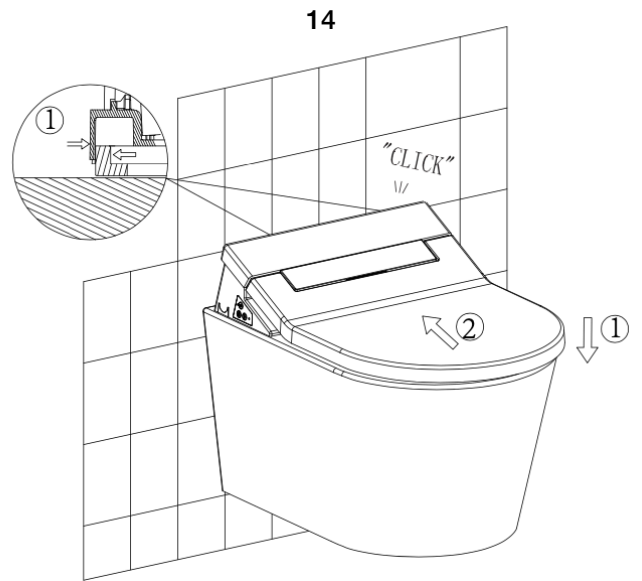
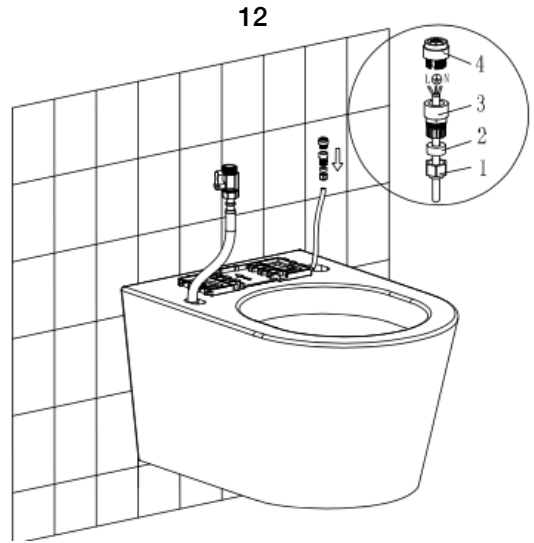


9



10

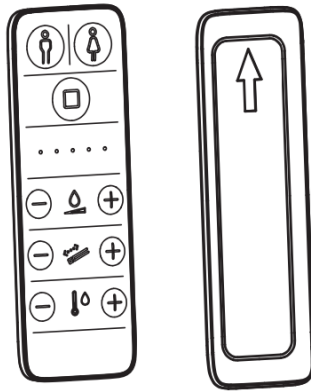




Model of bidet seat pictured above for illustrative purposes only.

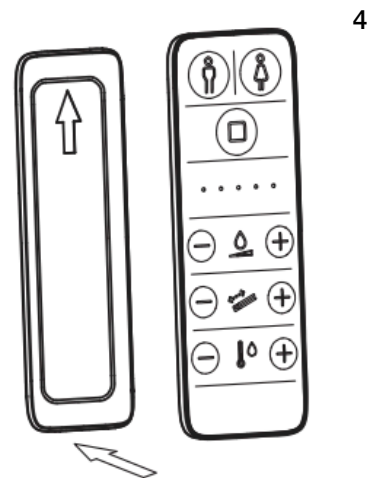
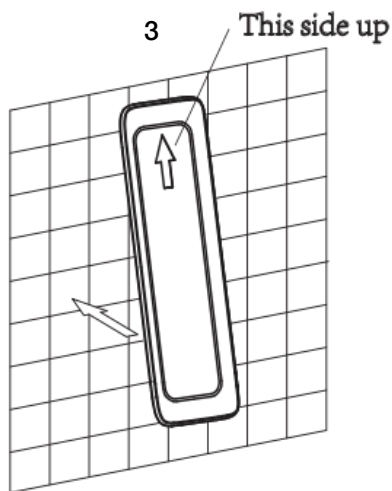
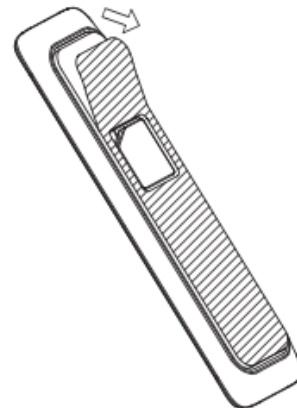
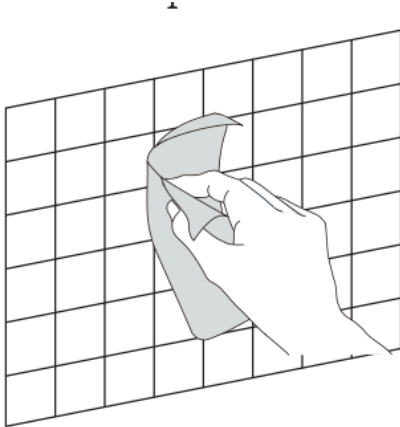
Model of bidet seat pictured above for illustrative purposes only.

REMOTE CONTROL INSTALLATION

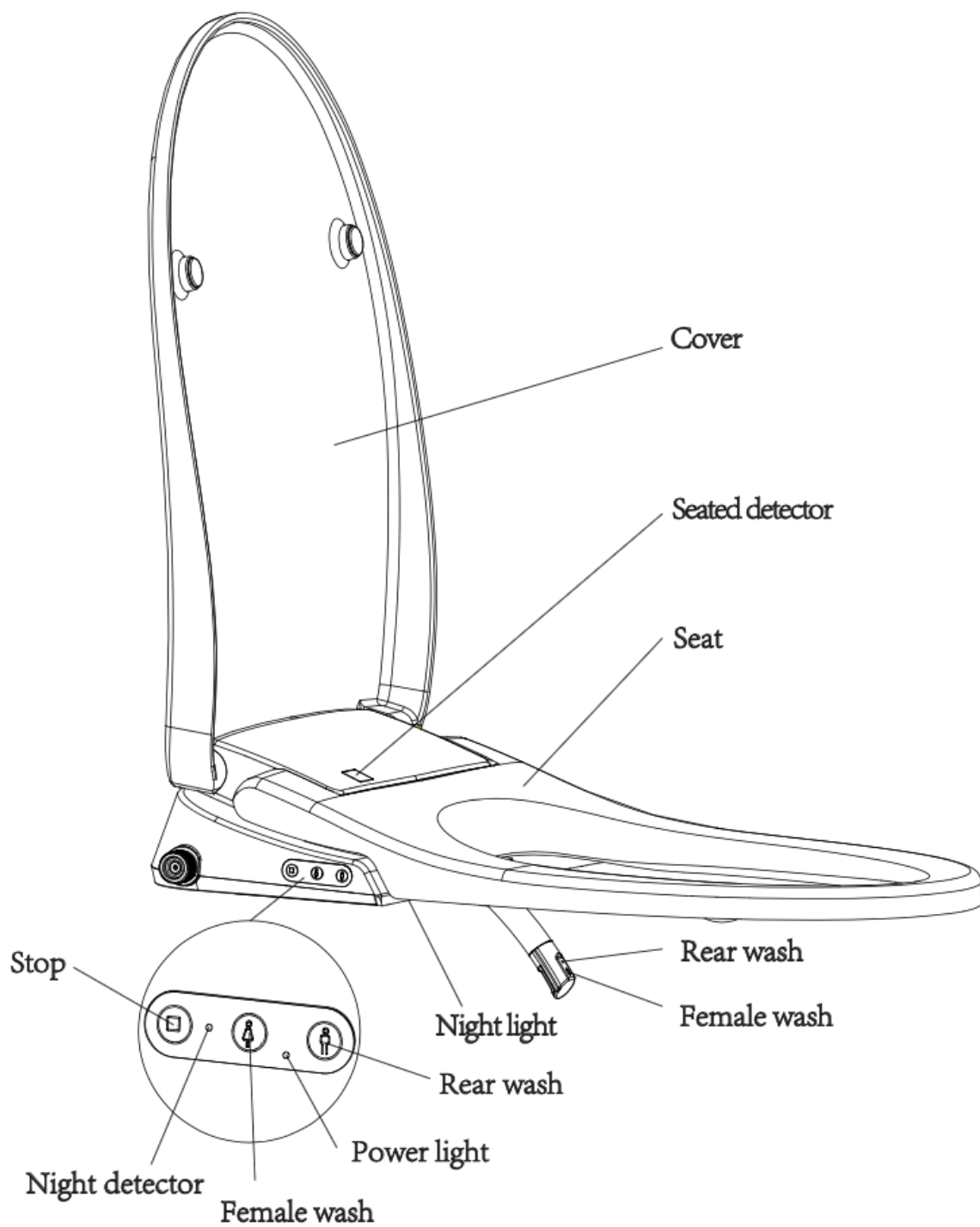


Remote Control & Holder
(batteries not included)

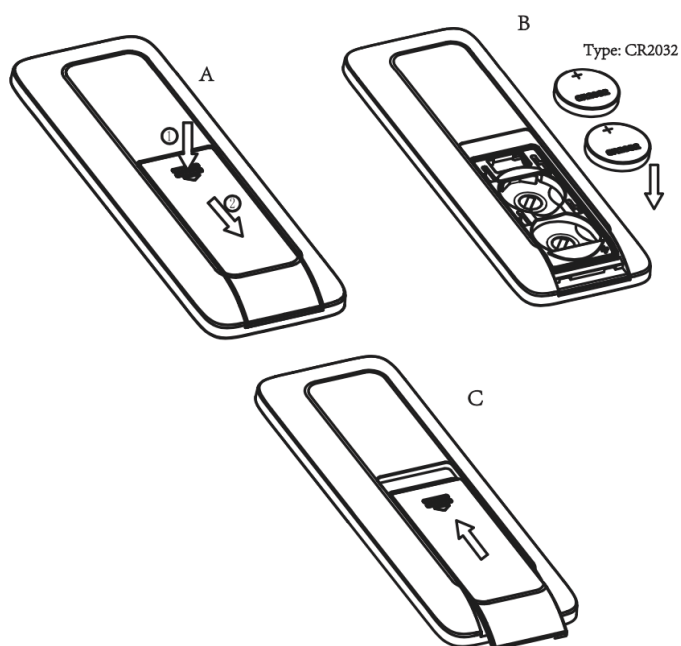
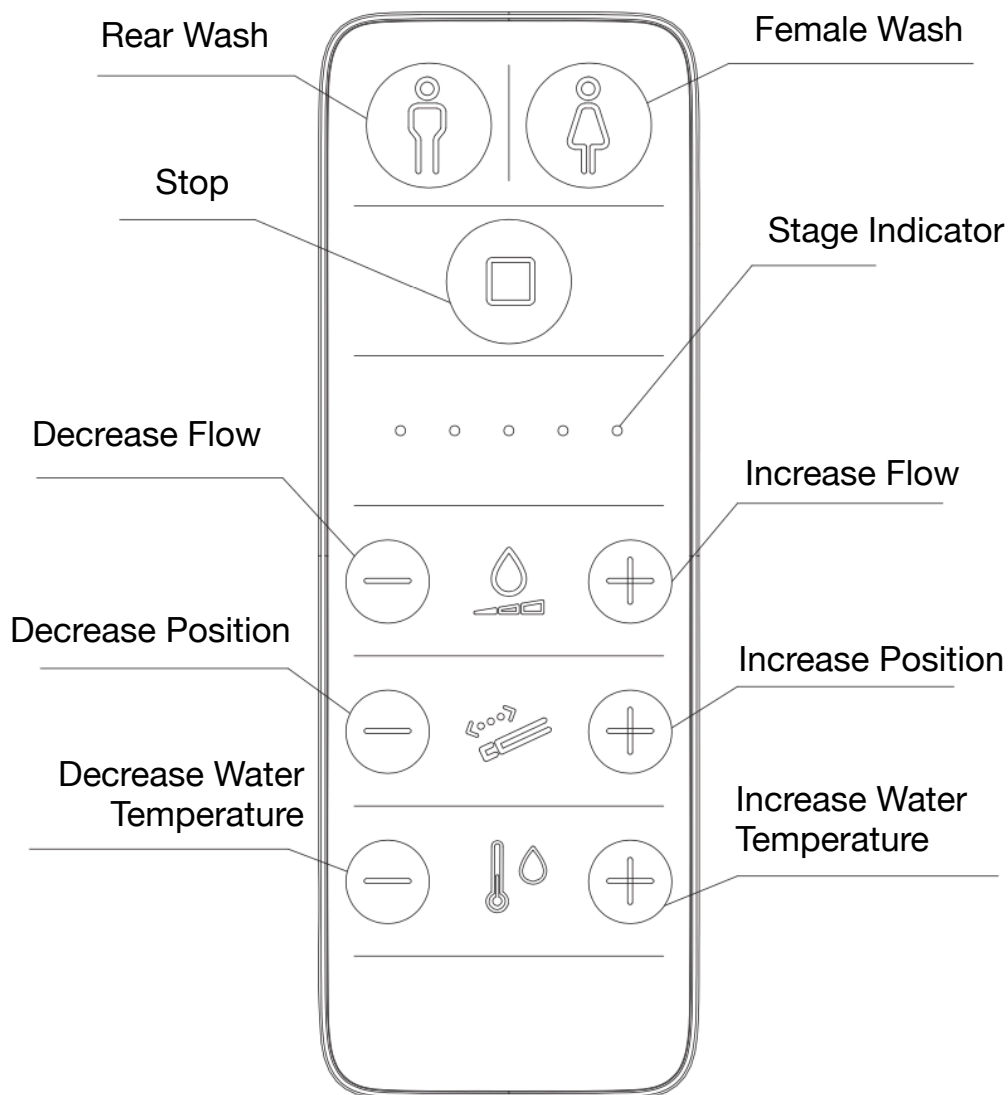
Installation Method



OVERVIEW



OVERVIEW

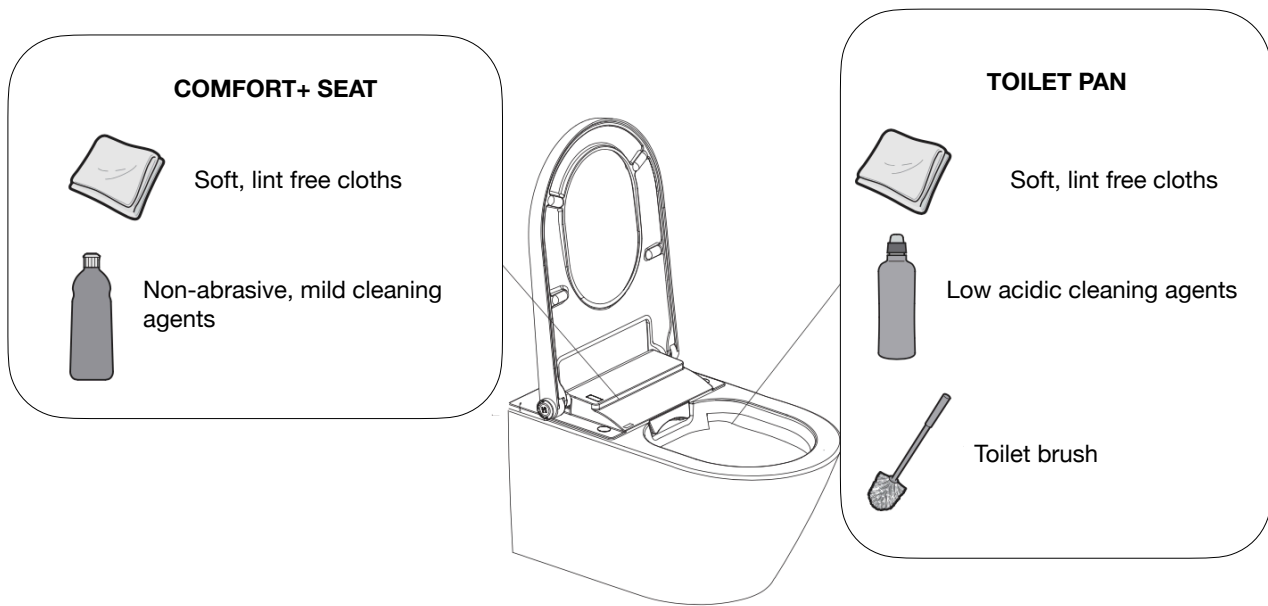


TAKE NOTICE

The remote control requires 2 x batteries, Type CR2032

(Batteries are not included)

GENERAL CARE & CLEANING ADVICE



SUGGESTED INTERVAL	SUGGESTED CLEANING ACTIVITY
Daily	Wipe down water droplets with a soft lint free cloth to avoid limescale stains.
Weekly	Thoroughly wipe down and clean all surfaces. Clean the spray nozzle if required (see Nozzle Cleaning).
Monthly	Clean the toilet pan with a low acidic cleaning agent.
Every 6 months	Replace the filter if required (see Replacing Filter').



TAKE NOTICE

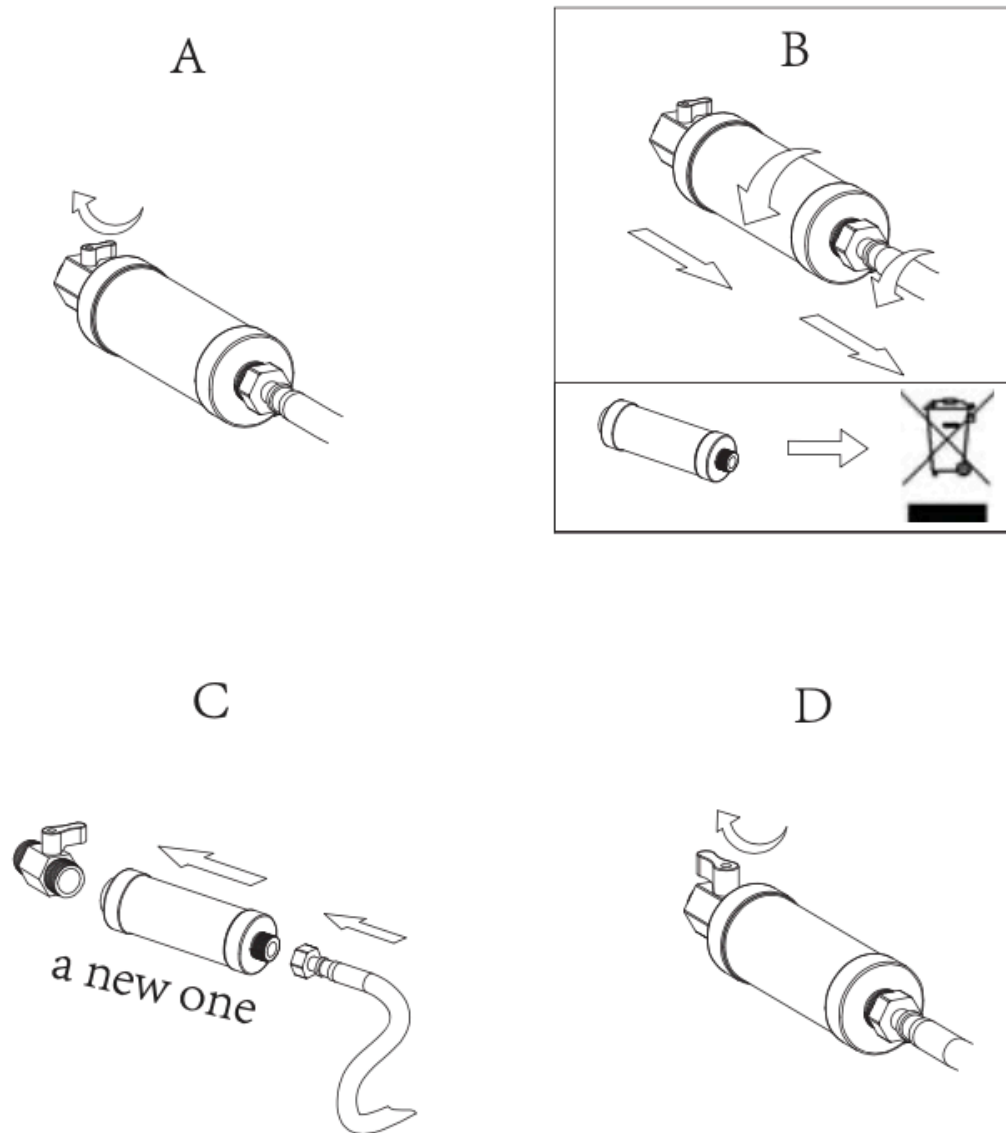
AUTOMATIC SELF CLEANING

If the unit is not used for more than 72 hours, the self-cleaning will operate for approximately 3 minutes when the user operates the wash function. All buttons on the remote control become invalid during the self-cleaning function.

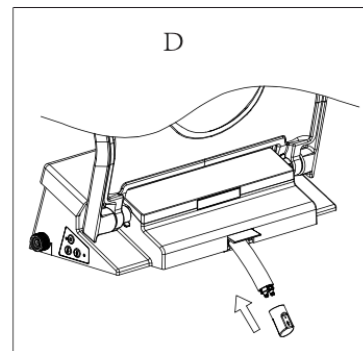
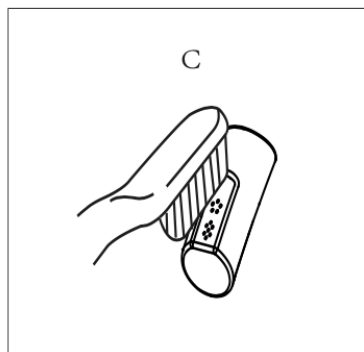
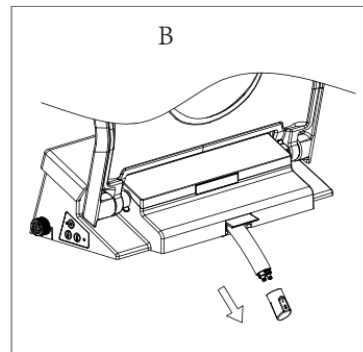
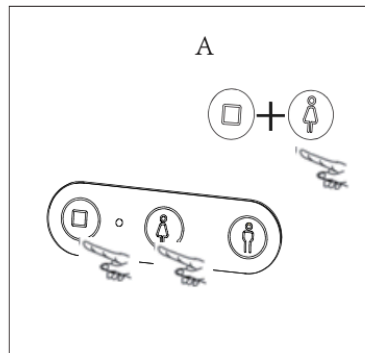
FILTER REPLACEMENT

The filter has a service life of approximately 6 months. Naturally, this is dependent on the harshness of water the filter is subjected to.

If the filter is not replaced at the suggested interval of 6 months, then we recommend that it be replaced when the wash flow is noticeably reduced. A reduced wash flow would be an indication of a blocked filter.



NOZZLE CLEANING



The nozzle will automatically clean itself before washing and after washing.

Should you wish to clean the nozzle manually, please do as follows:

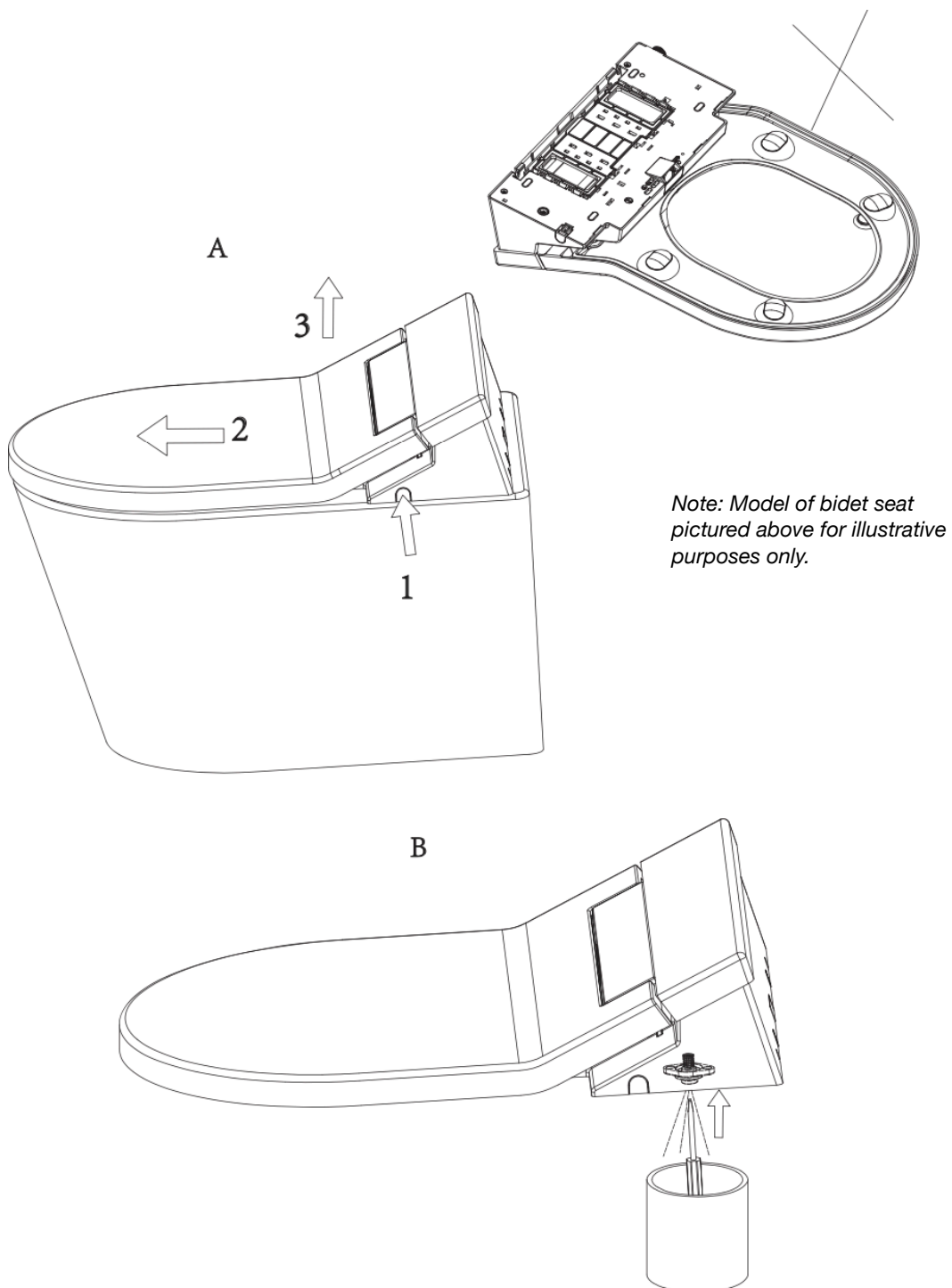
- A. Press and hold down simultaneously the Female Wash and Stop buttons on the bidet seat for approximately 5 seconds.
- B. The nozzle will extend itself and commence a water cleansing process
- C. If required, manually use a soft bristled brush to clean the nozzle
- D. Press the 'Stop' button once finished (nozzle will automatically return after 5 minutes if left unattended)

DRAINING THE WATER TANK

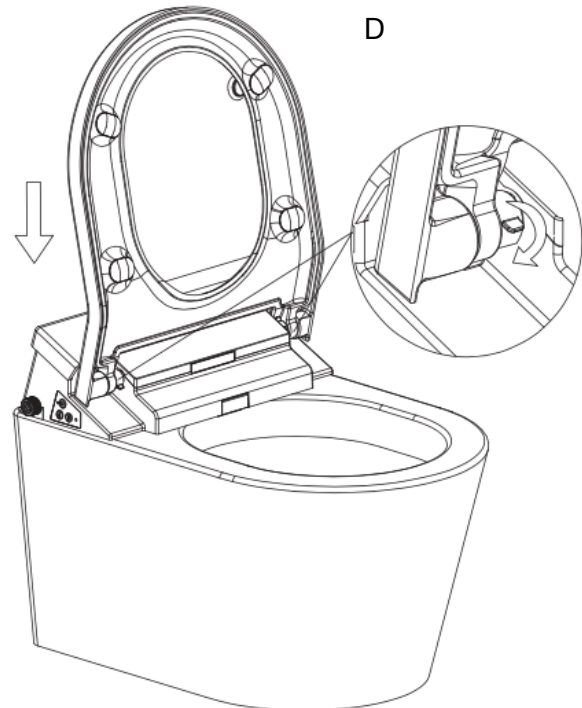
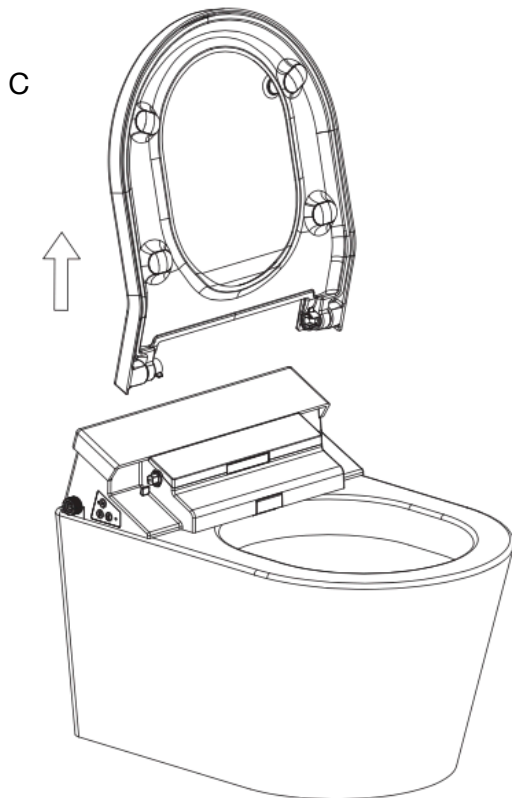
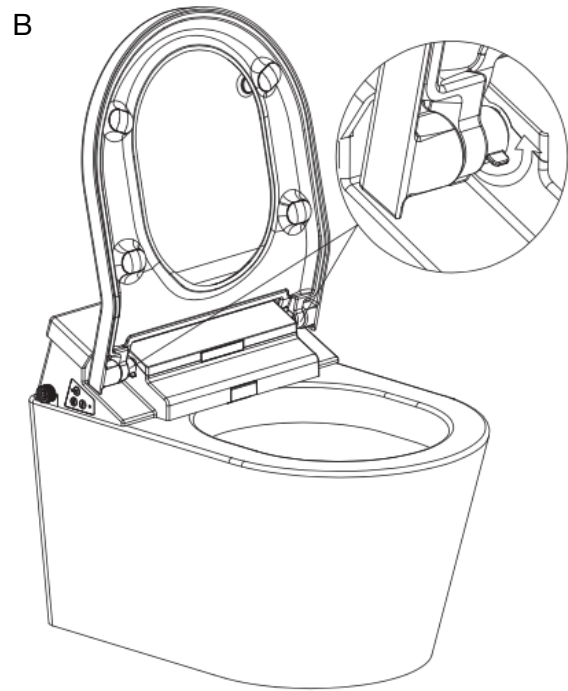
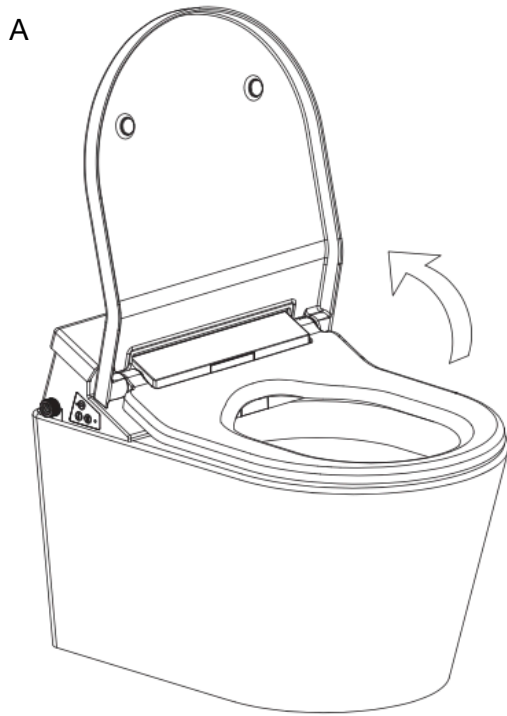


DANGER

1. The water and power must be cut before you disassemble the bidet seat
2. Do not invert or tilt the bidet seat before the water tank is fully drained



REMOVING THE SEAT COVER AND SEAT



For further information or help, please contact us:

(02) 8985 2619

Head Office: 27 Helles Avenue,
Moorebank, NSW 2170

www.gallaria.com.au