

DANZAPULSE+ WALLFACE

INSTALLATION GUIDE

gallaria

DANZAPULSE+

WALL FACE PAN

CODE: DZ210

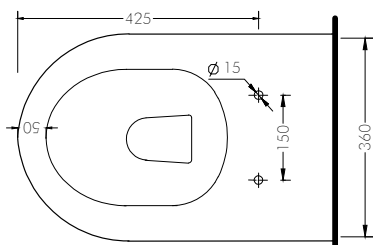
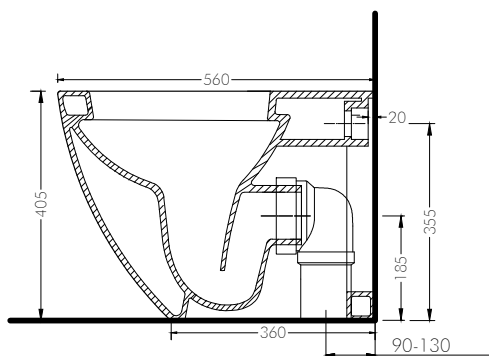
gallaria

intelligentbathrooms®



- Inclusions
- ✓ DANZAPULSE+ Wall Face Pan with Intelligent Bidet Seat
 - ✓ Waste pipes
 - ✓ Check valve/ball valve & inlet hose

- Features
- Heated seat
 - Instantly heated water 35°C-38°C
 - Self-cleaning shower spray nozzle with rear and woman's wash functions
 - Easy to use control knob to adjust and control wash
 - Adjustable flush volume
 - Aerated wash stream
 - Soft close seat
 - Rimless pan for reduced bacteria build-up



Notes for the installer

Standard setout: 90-130mm

The maximum water pressure for water supply is 500kpa.

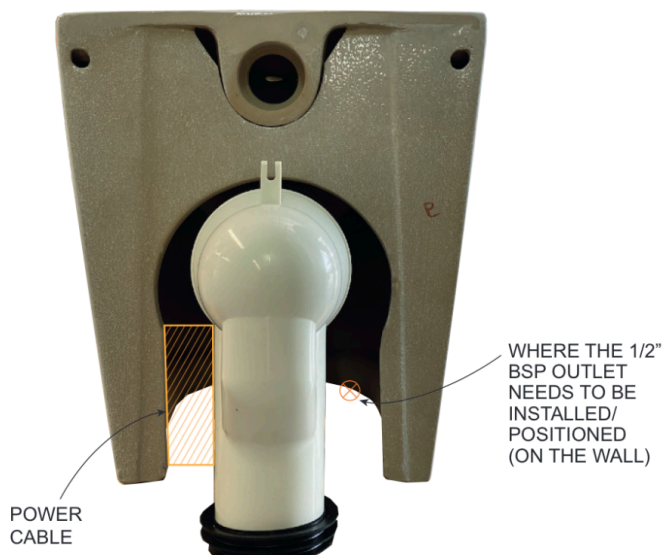
Power supply requirements:
Dedicated 10A min, 220~240V AC,
50/60Hz supply



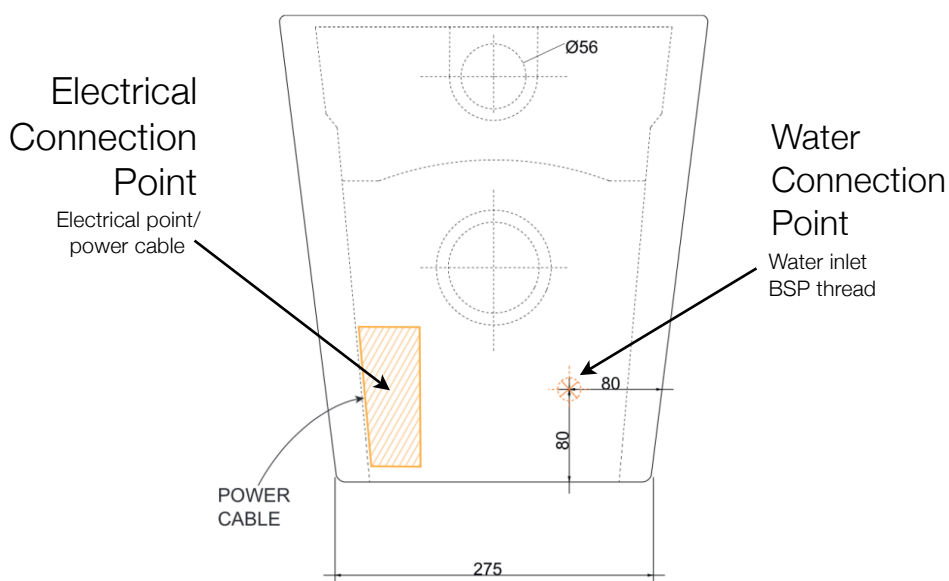
WELS: 0016
WM: 030025

REAR VIEW

WATER &
ELECTRICAL
CONNECTION
DETAILS



REAR VIEW

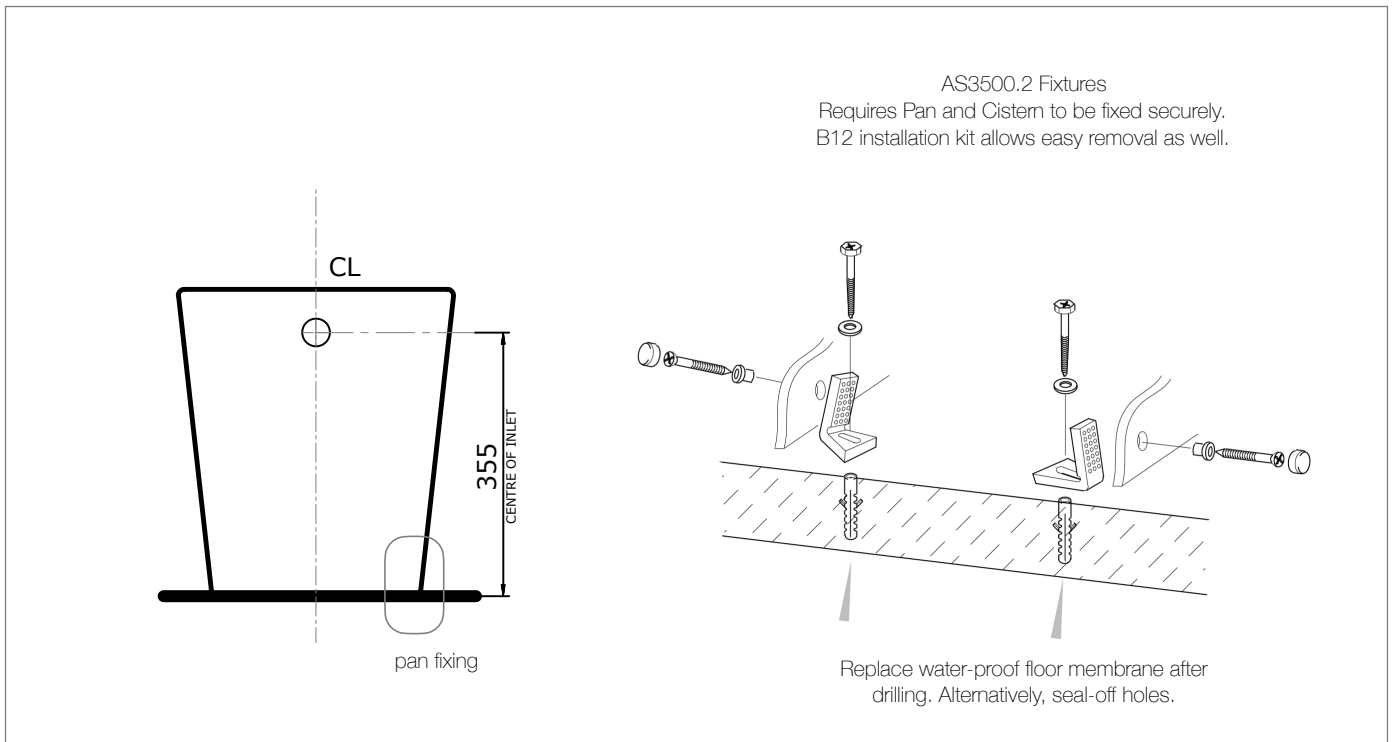


PAN FIXING TO THE FLOOR INSTALLATION

All installations and rectifications should be carried out by a licensed plumber

Applies to the following GALLARIA floor pan:

- XL1250 Luxx series
- XL4125 Highluxx series
- XL2015 Topical series
- DZ1000 Danza series
- XL2016 Deluxe series



Concealed cistern options

Refer to installation guide for cisterns for more details

