

# TROPICAL

XL2015WF

with

## INDIANA CISTERN

XL3001

## VOLE WHITE

XL5130-WT



**Pan Dimension:** L560 W360 H405

**Type:** NO Rimless

**Standard:** Complies to AS1172.1 and AS1172.2

**Flush:** 4.5/3.0 LPF 4 Star WER

**Cistern Options:** Indiana

**Button Options:** VOLE WHITE

**Waste outlet:** S-trap set out 90-130mm  
Order code: XLDFB09

**Wall outlet:** 185mm nominal

**Seat :** German Engineered Soft Close Seat  
**Order code:** TR/DZ-SEAT

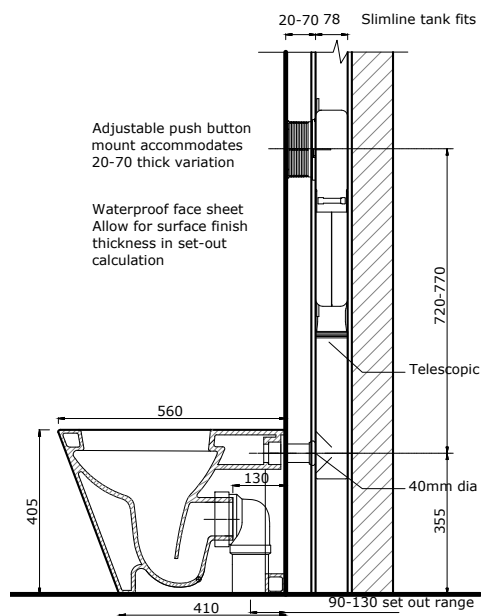
**WELS:** 0016

**WM:** 030025

**WARRANTY:** 10 years (Conditions Apply)

All Gallaria inlet valves (concealed cisterns & BTW suites) are warranted to perform under water pressure at up to 500Kpa. Anything above 500Kpa immediately voids warranty.

### technical detail



# gallaria

[gallaria.com.au](http://gallaria.com.au)

P. 1300 961 239

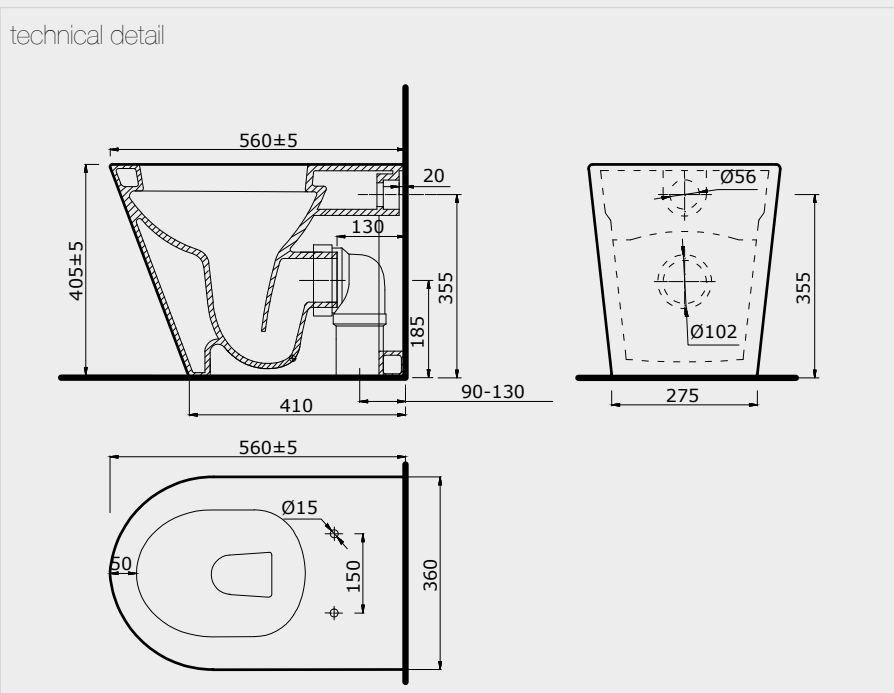
E. [info@gallaria.com.au](mailto:info@gallaria.com.au)



# COMPONENTS

## TOILET PAN: TROPICAL WALL FACE PAN

XL2015WF



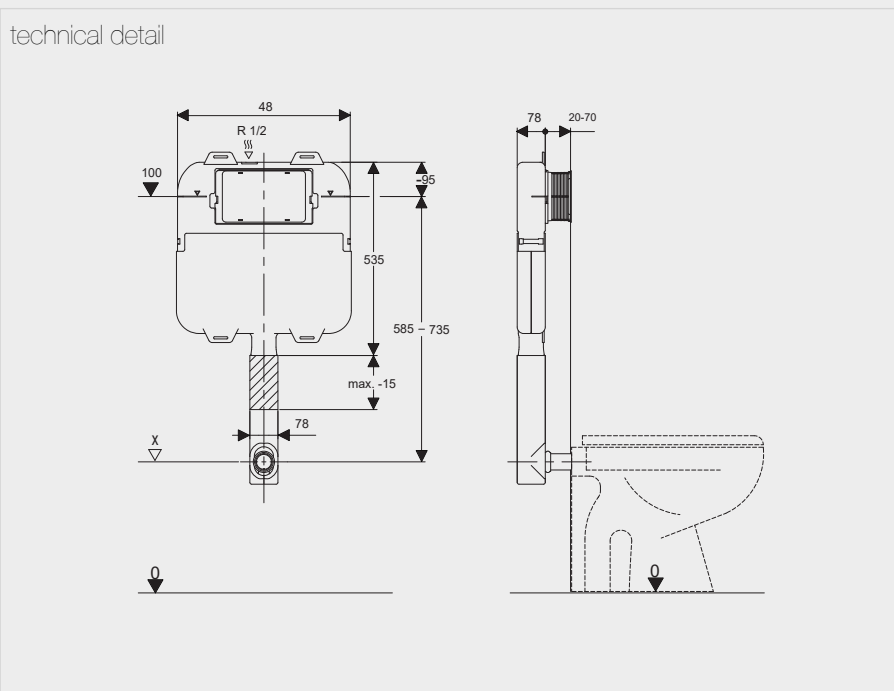
## FLUSH PLATE: VOLE WHITE

XL5130-WT



## CONCEALED CISTERN: INDIANA

XL3001 (Front or top press flushing)



**galleria**

[galleria.com.au](http://galleria.com.au)  
P. 1300 961 239  
E. [info@galleria.com.au](mailto:info@galleria.com.au)

SPECIFICATION