

OPERATION INSTRUCTIONS

LENZACOMFORT+

WALL FACE PAN

CODE: LZ210





LENZACOMFORT+

WALL FACE PAN

CODE: LZ210

EXPLANATION OF SYMBOLS



DANGER

Refers to a potentially dangerous situation that may cause serious injury or death .



CAUTION

Refers to a potentially dangerous situation that may cause injury or damage to property.



STOP

Do not touch or interfere.



TAKE NOTICE

Follow the instructions accordingly.



CAUTION

Gallaria shall not be liable for any loss arising from the failure to comply with the following:

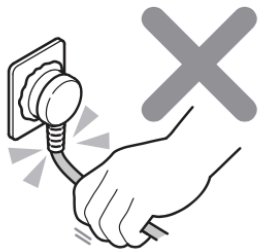
1. This toilet is considered to be a Class I (1) electric appliance, and therefore must be 'grounded' by a qualified and licensed electrician to prevent damage, injury or death.
2. Please ensure the electrical components are not installed where it can easily be splashed with water.
3. Please ensure the toilet is installed in a bathroom with adequate ventilation, e.g. window ventilation or a bathroom exhaust fan(s).
4. If the supply cord is damaged, please ensure it is replaced by a qualified service agent or similarly qualified persons in order to prevent damage, injury or death.

SAFETY ADVICE

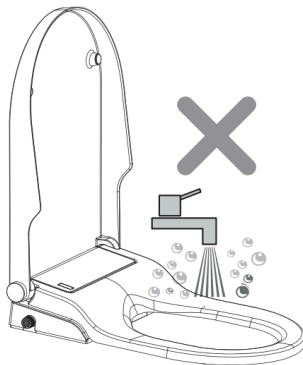
To avoid the risk of electric shock, short-circuiting, fire, water leakage and damage to the product:



DO NOT Insert or remove power plug with wet hands.

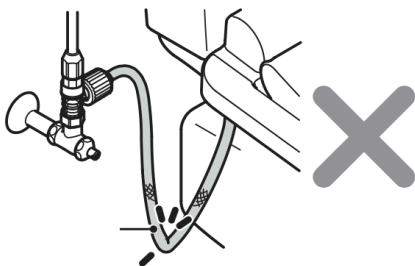


DO NOT damage the power cord and plug. Inspect both before installation to ensure all is intact.



DO NOT disassemble, attempt to repair or reassemble the product.

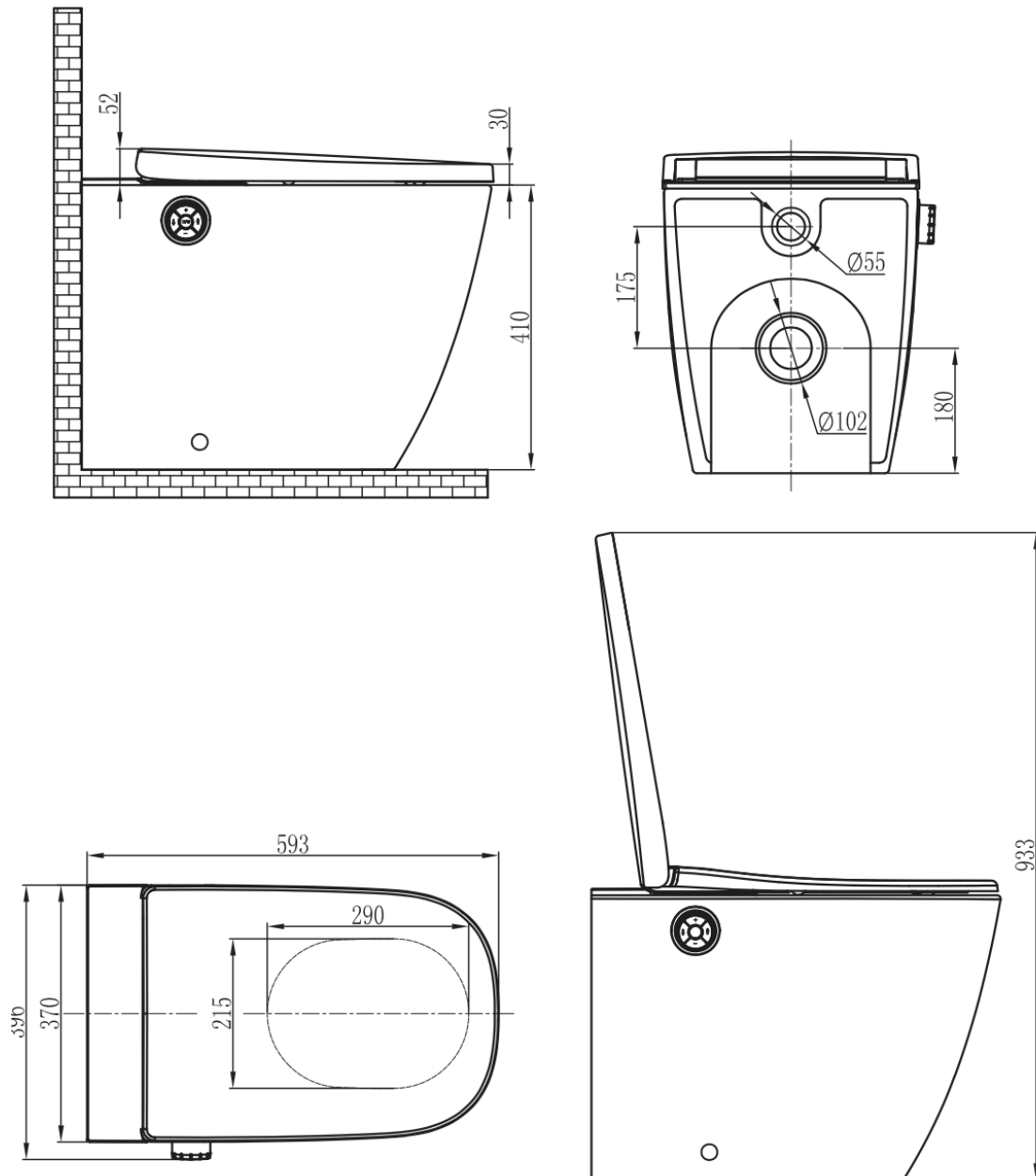
DO NOT splash water, detergents or urine on the product and the power plug.



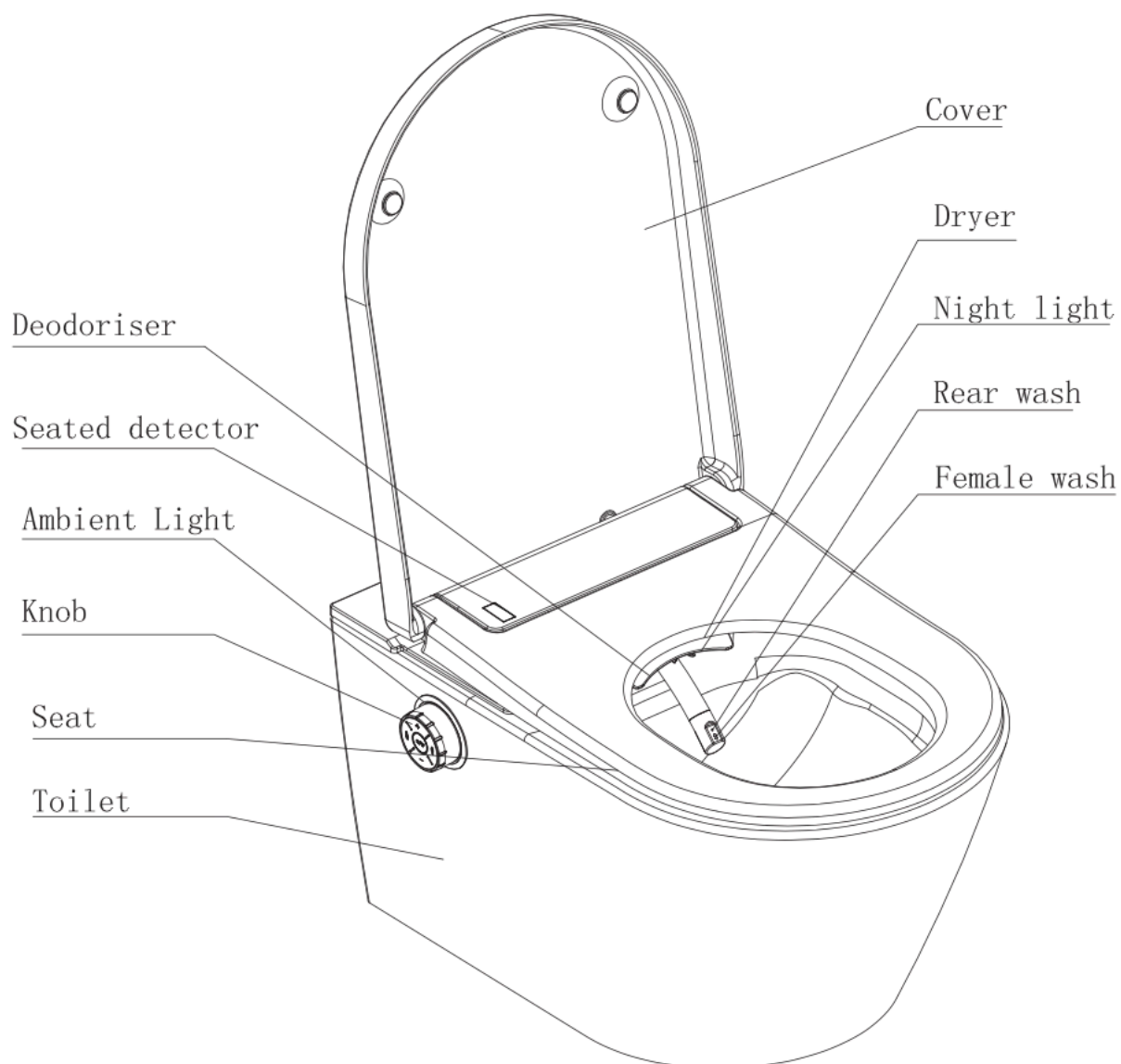
DO NOT bend or distort the inlet hose.

| LENZACOMFORT+ (LZ210) | | Specifications |
|-----------------------|---------------------------------|---|
| Wash | Rear Wash | ● |
| | Female Wash | ● |
| | Oscillating Spray | ● |
| | Pulsating Spray | ● |
| | Oscillating and Pulsating Spray | ● |
| | Adjustable Water Temperature | 5 Steps (Default 3rd) |
| | Adjustable Flow Rate | 5 Steps (Default 3rd) |
| | Adjustable Spray Position | 5 Steps (Default 5th) |
| Warm Air | Air Drying | ● |
| | Adjustable Dryer Temperature | 5 Steps (Default 3rd) |
| Hygiene | Deodoriser | ● |
| | Nozzle Self Cleaning | ● |
| | Nozzle Manually Cleaning | ● |
| | User Mode | 2 Users |
| | Night Light | ● |
| | Ambient Light | ● |
| | Soft Closing Seat And Cover | ● |
| | Quick Release Seat And Cover | ● |
| | Body Knob | ● |
| | Remote Control | ● |
| | Rimless Toilet | ● |
| | | |
| | Water Supply Connector | G 3/8 |
| | Rated Voltage | AC220-240V, 50/60HZ |
| | Power | 950W |
| | Length Of Power Cord | 1.8m |
| | Water Supply Pressure | 0.07~0.75MPa(0.7~7.5Bar) |
| | Water Supply Temperature | 4~35°C |
| | Ambient Temperature | 4~40°C |
| | Waterproof Rating | IPX4 |
| Wash Device | Flow Rate | 350~650mL/min |
| | Water Temperature | 31~39°C |
| | Wash Cycle Time | 3 Minutes |
| | Heating Mode | Tank |
| | Maximum Heater Power | 1260W |
| | Safety Device | Thermal Cutoff Fuses\Liquid Level Switch\Thermostat |
| | Backflow Prevention | Air Gap |
| Dry Device | Maximum Speed Of Air | 5m/S |
| | Maximum Dryer Power | 280W |
| | Dry Cycle Time | 3 Minutes |
| | Warm Air Temperature | 35~50°C |
| | Safety Device | Thermal Cutoff Fuses\Thermostat |
| Deodorization | Deodorization Mode | Carbon filtration |
| | Deodorization Cycle Time | 15 Minutes |
| Remote Control | Frequency Range | 2460MHz |
| | Maximum RF Output Power | -10dBm |
| | Type of batteries | 1.5V LR03 AAA |
| | Number of batteries | Two pieces |
| | Other Safety Device | Residual Current Devices |
| | Net Weight | 35Kg |
| | Dimension | 593*370*460 mm |

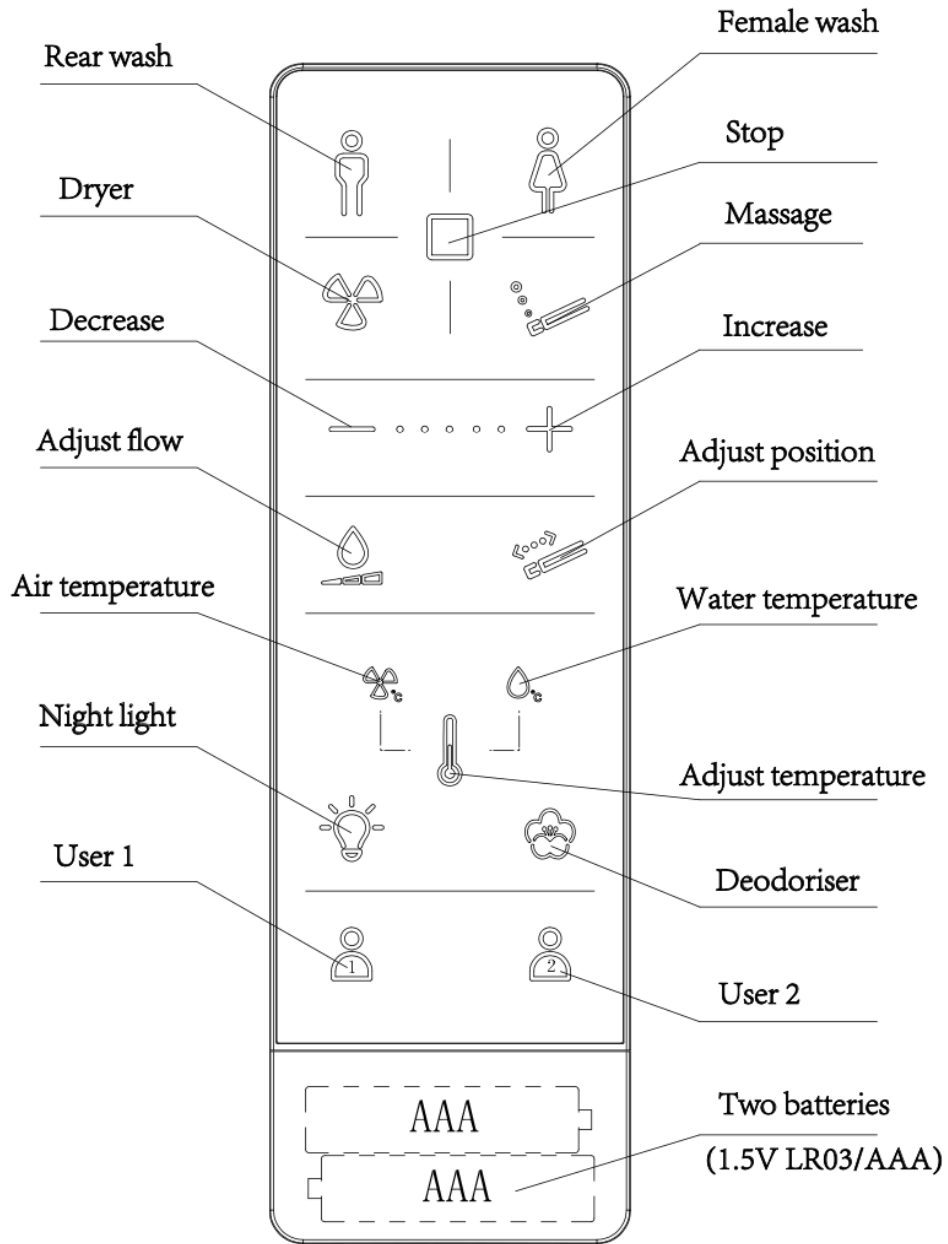
TECHNICAL DRAWING



OVERVIEW



REMOTE CONTROL



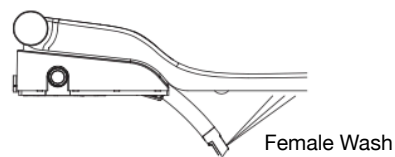
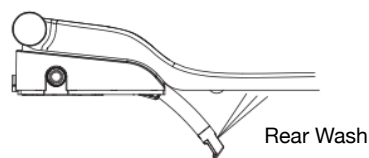
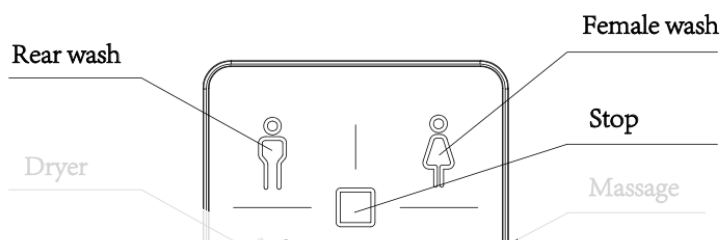
TAKE NOTICE

Note:

- The remote control requires 2 x AAA batteries (type 1.5V LR3/AAA) - which are not included.

- Software version : V1.0. Software updates will not be provided.

EXPLANATION OF FUNCTIONS

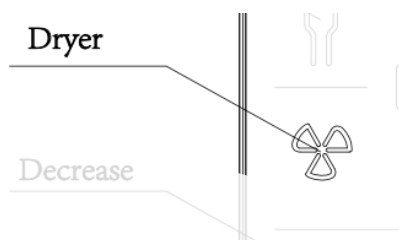


WASH MODES

Press the 'Wash' button on the remote control or on the control knob. The bidet seat will commence washing.

Washing can be stopped by simply pressing the 'Stop' button on either the remote control on control knob.

Alternatively, the wash will automatically stop after 3 minutes.

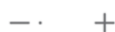
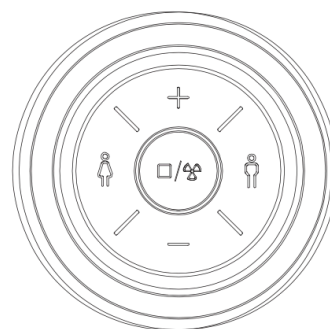


DRY FUNCTION

Press the "Dry" button on the remote control or centre button on the control knob to commence the drying process.

Drying can be stopped by pressing the 'Stop' button.

The drying function will automatically stop after 3 minutes.



Oscillating: indicated by one light



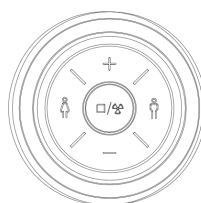
Pulsating: indicated by two lights



Oscillating & Pulsating: indicated by three lights

MASSAGE FUNCTION

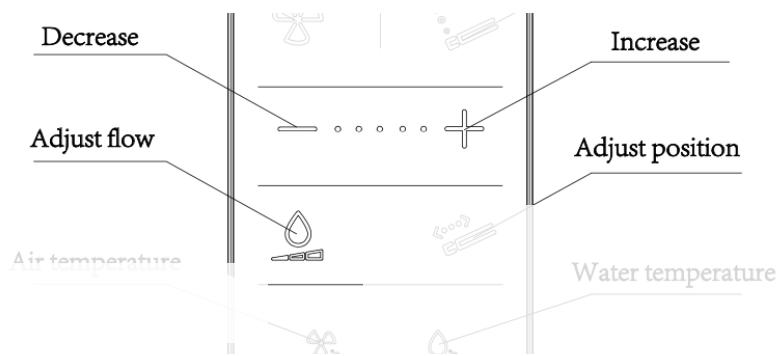
Repeatedly press the 'Massage' button on the remote control your desired spray mode is chosen.



OR

Press the 'rear wash' or 'female wash' button on the control knob to activate oscillation. Press either button again to stop oscillation.

EXPLANATION OF FUNCTIONS

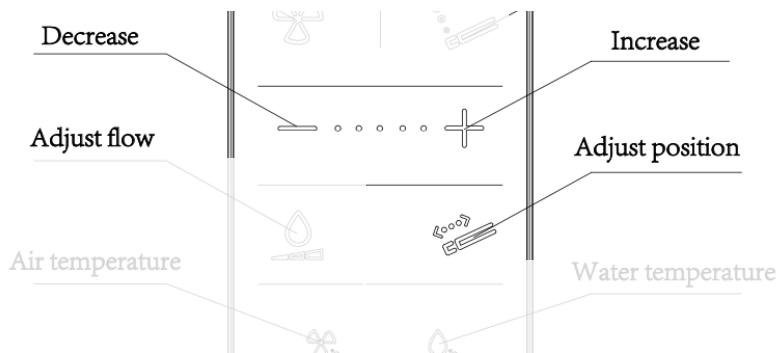
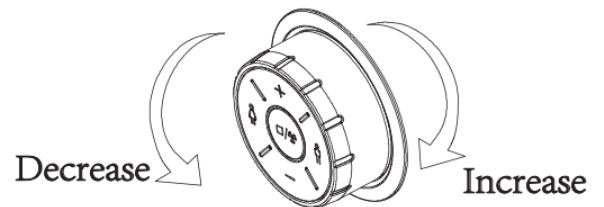


During the washing process, press the 'Adjust flow' button on the remote control to either decrease or increase the wash flow rate.

WASH FLOW RATE

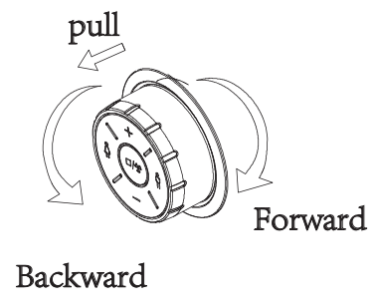
Alternatively, the wash flow rate can be controlled via the control knob.

The flow rate will increase in the clockwise direction and decrease in the anticlockwise direction.



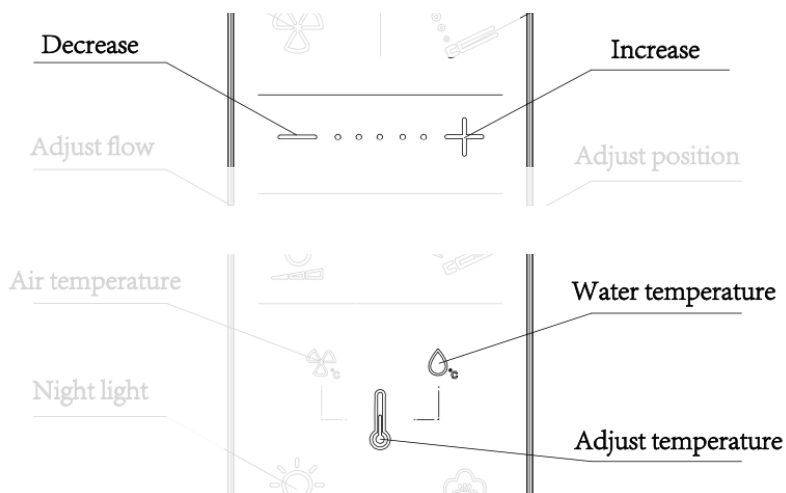
Alternatively, the nozzle position can be adjusted using the control knob.

The nozzle will move forward when the knob is turned clockwise, and move backward when turned in anticlockwise direction.



NOZZLE POSITION

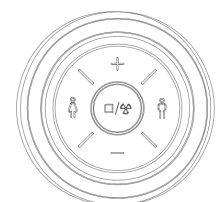
During the washing process, press the 'Adjust position' button on the remote control. Press the '+' or '-' button to adjust the nozzle position forward or backward.



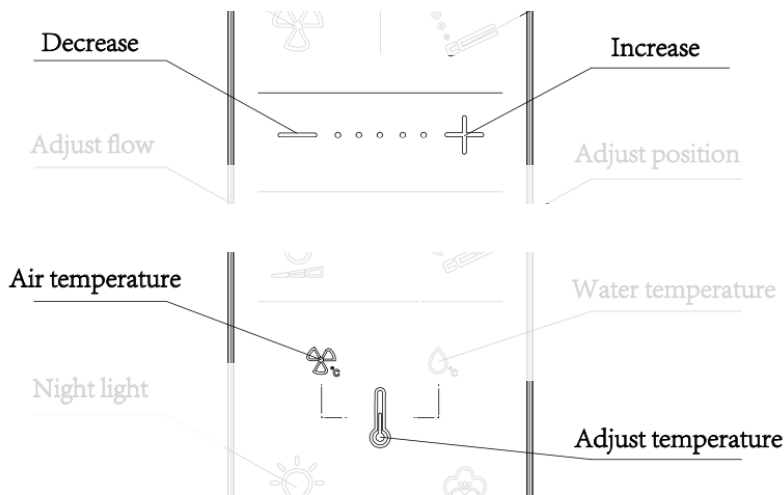
WATER TEMPERATURE

During the washing process, repeatedly press the 'Adjust temperature' button on the remote control until 'Water temperature' icon is highlighted, then press 'Increase' or 'Decrease' button to adjust the water temperature.

Alternatively, press the "+" or "-" button on the control knob to increase or decrease the temperature level.



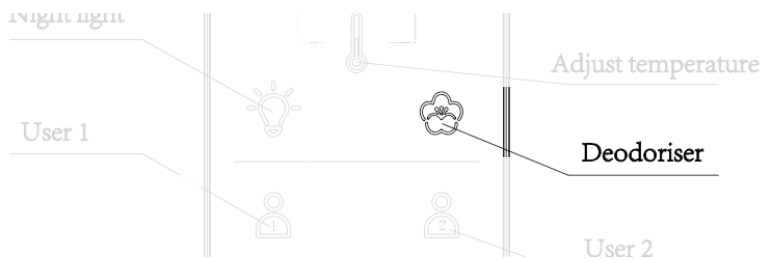
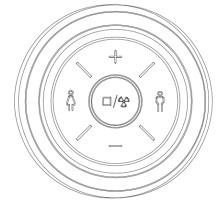
EXPLANATION OF FUNCTIONS



DRYING TEMPERATURE

During the drying process, repeatedly press the 'Adjust temperature' button on the remote control until 'Air temperature' icon is highlighted, then press 'Increase' or 'Decrease' button to adjust the air temperature.

Alternatively, press the "+" or "-" button on the control knob to increase or decrease the air temperature level.



Repeatedly press the 'Deodorisation' button on the remote control to switch on or turn off the deodorisation function.

Dedorisation off: indicated by 1 light



Smart mode: indicated by 2 lights



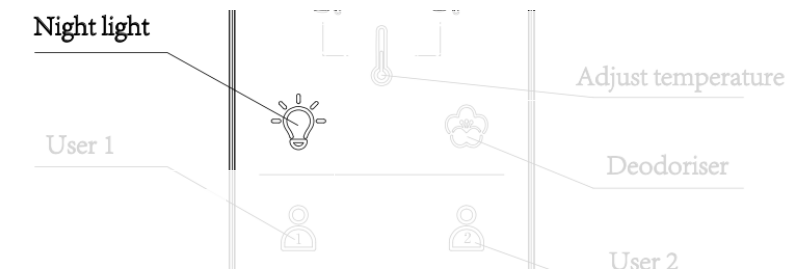
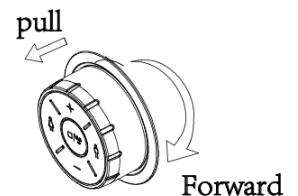
DEODORISER

Note: Smart deodorisation mode is set by default.

Deodorisation will automatically activate once the user is seated and will automatically shut off, 1 minute after the user leaves the unit.

Repeatedly press the 'Deodorisation' button on the remote control to switch on or turn off the deodorisation function.

Alternatively, pull out the control knob and turn clockwise to deactivate deodorisation. Turn clockwise again to activate.



Note: Smart night light mode is set by default. (Light will switch on in dark bathroom environments)

Night light off: indicated by 1 light



Night light on: indicated by 2 lights



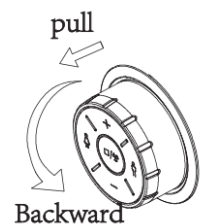
Smart mode: indicated by 3 lights



NIGHT LIGHT

Repeatly press the 'Night light' button on the remote control to select the desired mode.

Alternatively, lift open the cover and seat (without sitting down). Pull the knob and rotate it in an anticlockwise direction to turn the night light off. Rotate it anticlockwise again to turn night light on.



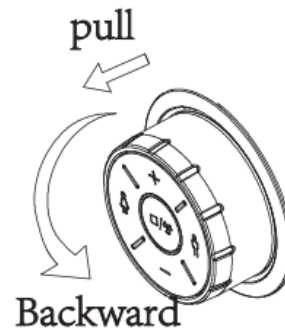
EXPLANATION OF FUNCTIONS

SOUND/BEEP SETTINGS

Open the cover and be seated. Pull out the control knob and turn in an anticlockwise direction:

- A long beep indicates the beeps are turned **off**
- A short bell indicates the beeps are turned **on**

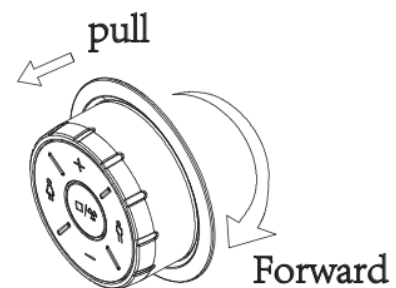
Note: Sound is turned on by default.



AMBIENT LIGHTING

Open the cover and be seated. Pull out the control knob and turn in a clockwise direction:

- The ambient light will be turned off
- A further turn in a clockwise direction will activate the Ambient Lighting mode



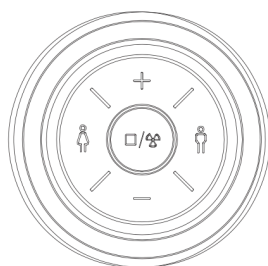
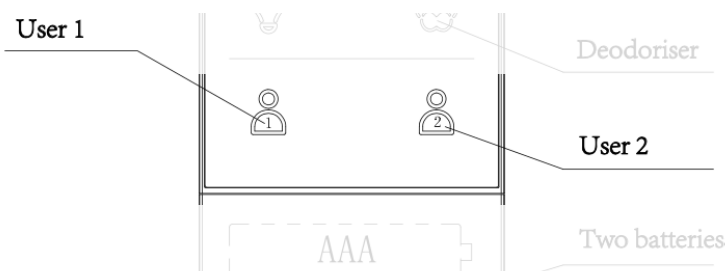
USER SETTINGS

To Save

Once all desired settings have been set, press and hold down either the 'User 1' or 'User 2' buttons for more than 3 seconds to save the current setting.

To Retrieve

Simply press the 'User 1' or 'User 2' button prior to washing and drying to engage the respective user setting.



STANDBY MODE

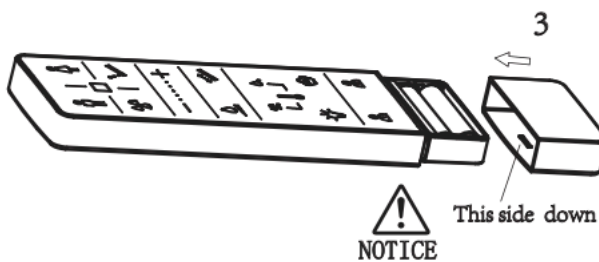
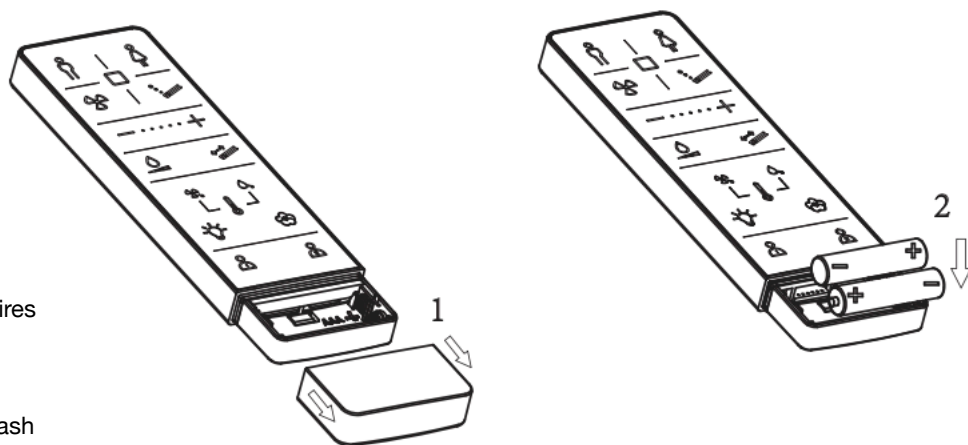
To engage standby mode, press and hold the middle button of the control knob for more than 6 seconds.

Press and hold the middle button again for more than 6 seconds to restart.

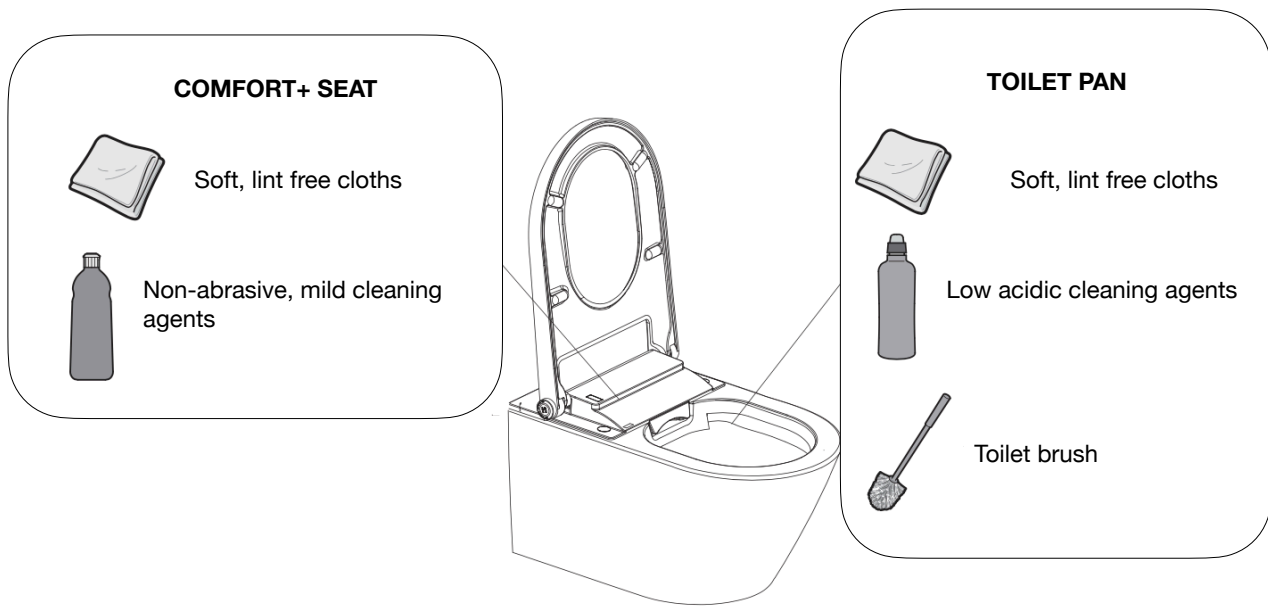
BATTERY REPLACEMENT OF REMOTE CONTROL

The remot control requires
2 x AAA batteries (type
1.5V LR3/AAA)

When the User lights flash
continuously, this is an
indication that the batteries
should be replaced.



GENERAL CARE & CLEANING ADVICE



| SUGGESTED INTERVAL | SUGGESTED CLEANING ACTIVITY |
|--------------------|--|
| Daily | Wipe down water droplets with a soft lint free cloth to avoid limescale stains. |
| Weekly | Thoroughly wipe down and clean all surfaces. Clean the spray nozzle if required (see Nozzle Cleaning). |
| Monthly | Clean the toilet pan with a low acidic cleaning agent. |
| Every 6 months | Replace the filter if required (see Replacing Filter'). |

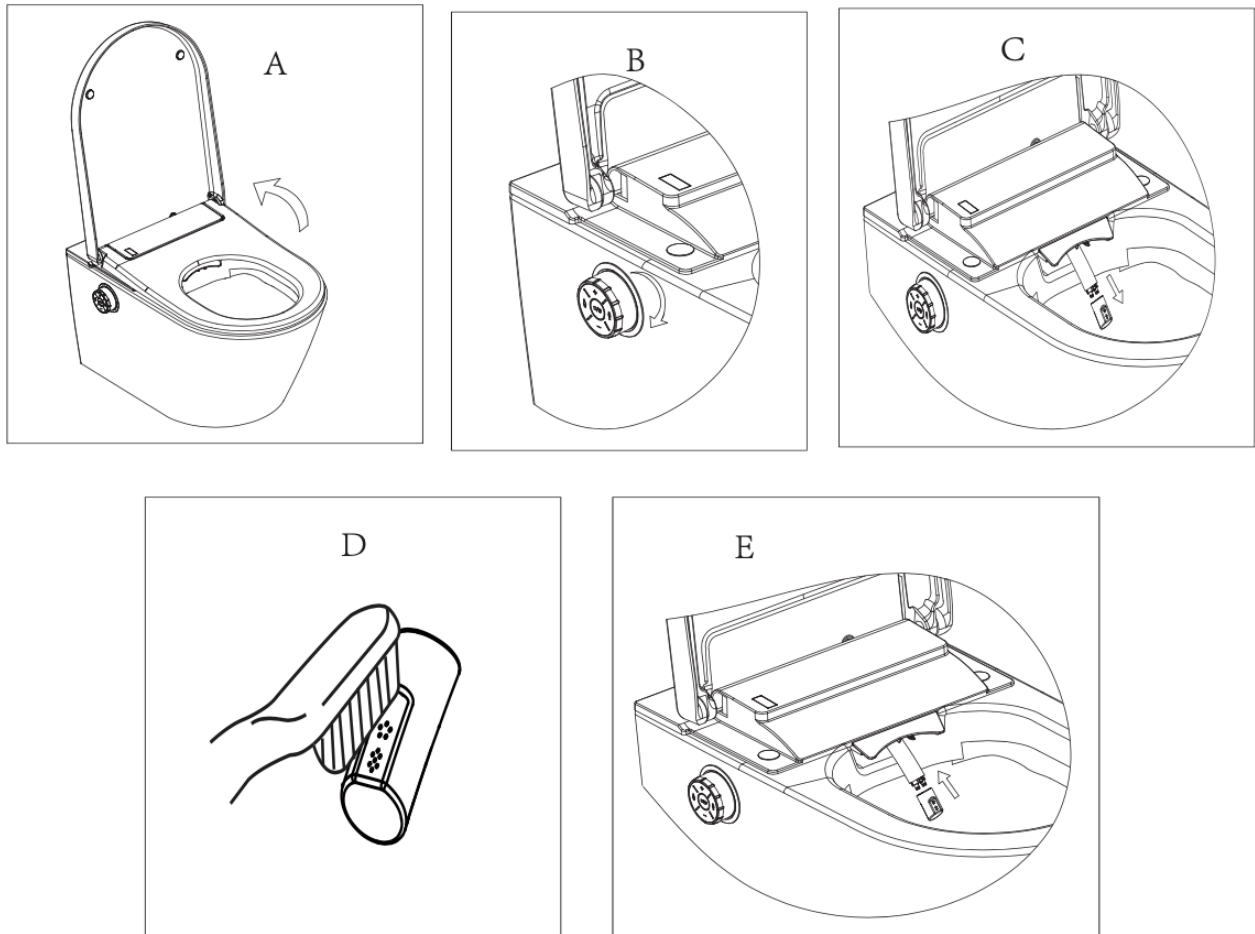


TAKE NOTICE

AUTOMATIC SELF CLEANING

If the unit is not used for more than 72 hours, the self-cleaning will operate for approximately 3 minutes when the user operates the wash function. All buttons on the remote control become invalid during the self-cleaning function.

NOZZLE CLEANING



The nozzle will automatically clean itself before washing and after washing.

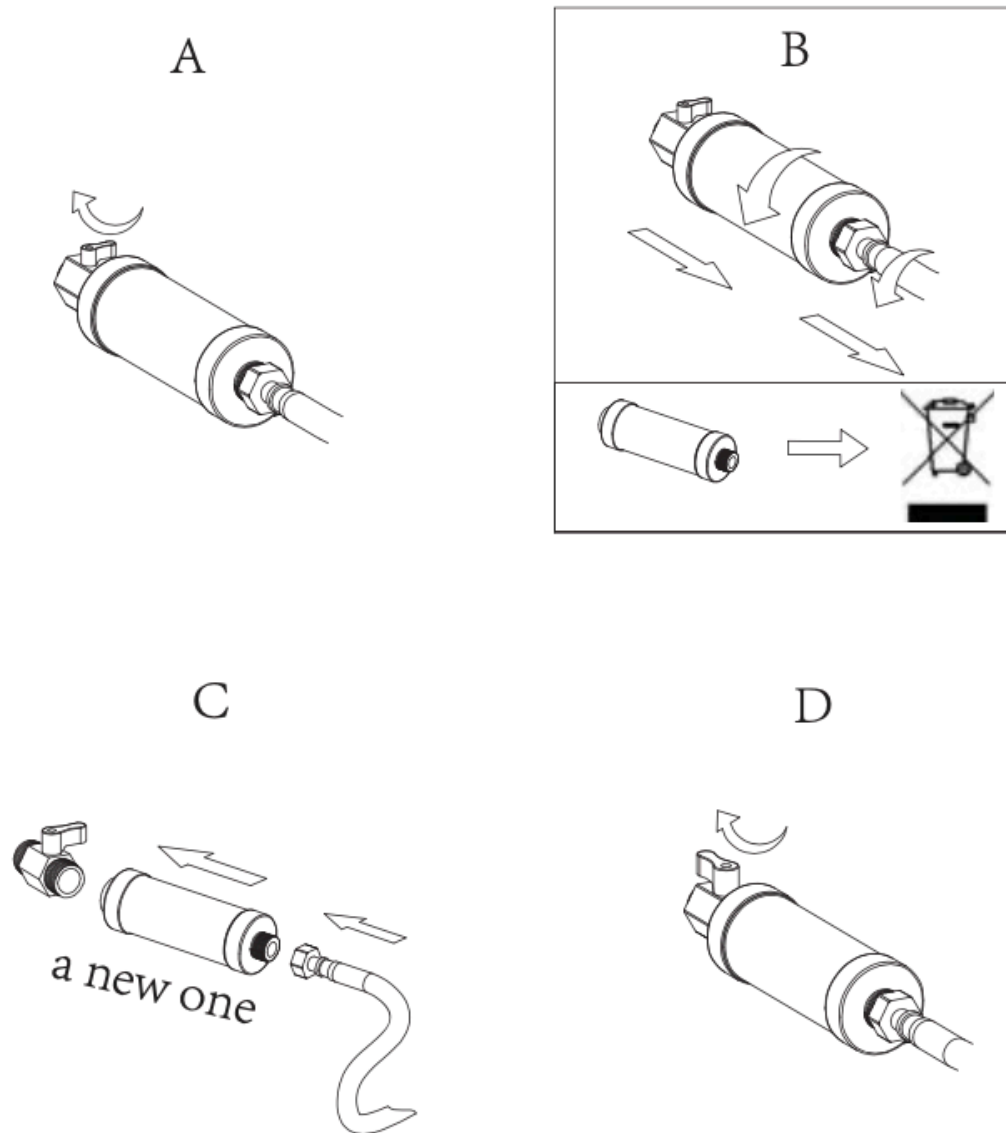
Should you wish to clean the nozzle manually, please do as follows:

- A. Open the cover and seat
- B. Rotate the knob in a clockwise direction
- C. The nozzle will extend itself commence a water cleansing process
- D. If required, manually use a soft bristled brush to clean the nozzle
- E. Press the 'Stop' button once finished (nozzle will automatically return after 5 minutes if left unattended)

FILTER REPLACEMENT

The filter has a service life of approximately 6 months. Naturally, this is dependent on the harshness of water the filter is subjected to.

If the filter is not replaced at the suggested interval of 6 months, then we recommend that it be replaced when the wash flow is noticeably reduced. A reduced wash flow would be an indication of a blocked filter.

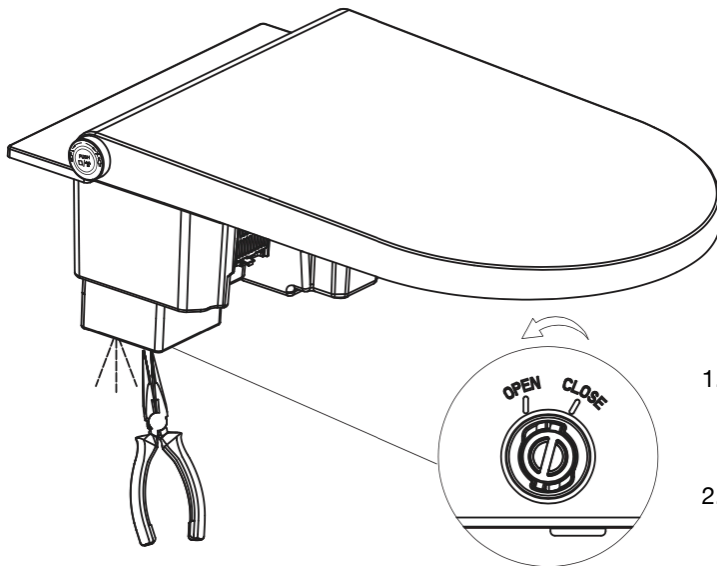
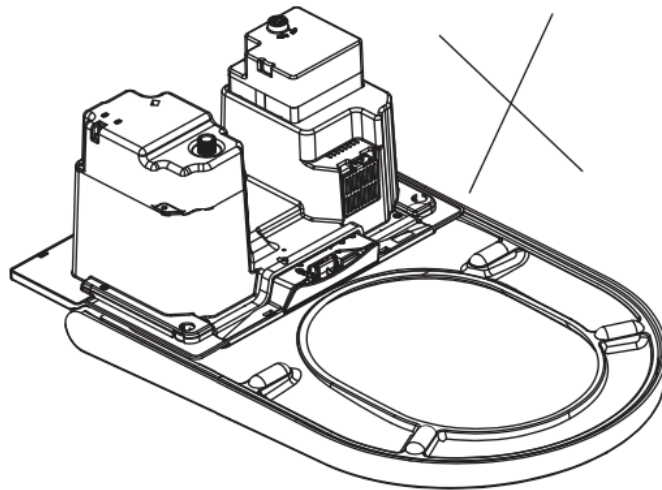


DRAINING THE WATER TANK



DANGER

1. The water and power must be cut before you disassemble the Comfort+ Seat
2. Do not invert or tilt the Comfort+ Seat before you finish draining the water tank



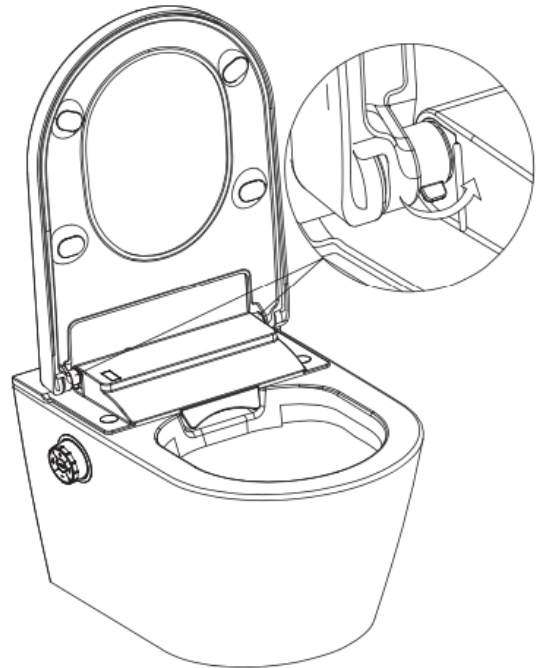
1. Turn the plug to the "OPEN" position and pullout. The water will start to drain.
2. After the tank has drained, insert the plug and turn to the "CLOSE" position.

RELEASING AND REASSEMBLING THE COVER AND SEAT

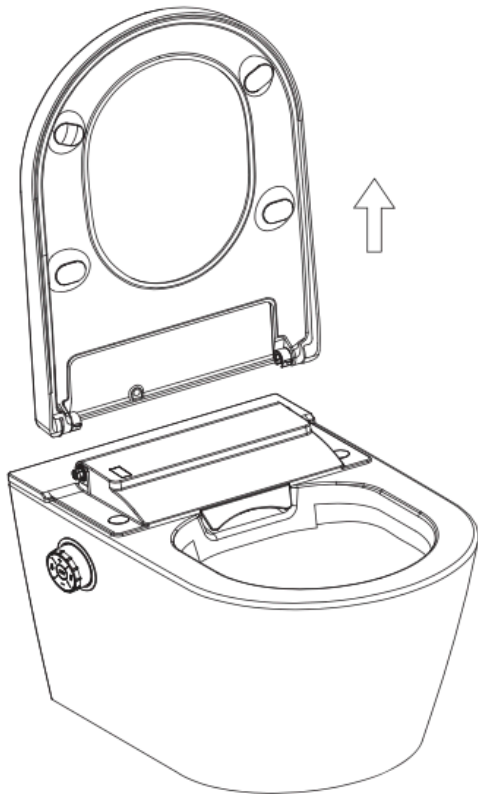
A



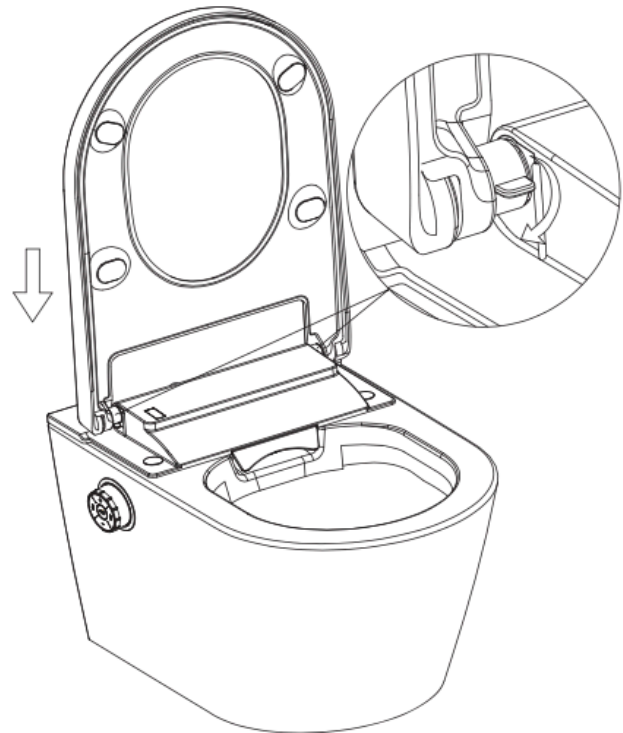
B



C



D Reassemble



TROUBLESHOOTING

| Problem | Potential cause | Suggested action |
|--|--|--|
| The wash function is not working | 1. The power supply may not be opened | Please turn on the power |
| | 2. The water supply may not be opened | Please open the inlet water valve, or check if there is a water outage |
| | 3. The filter may be blocked | Please replace a new filter .It has a service life of approx. half a year |
| | 4.Maybe not in the seating state | Please sit on the seat and adjust sitting position |
| | 5.Maybe the cover is closed | Please open the cover and sit on the seat |
| | 6.Maybe it is not used for more than 72 hours | Not used for more than 72 hours ,when the user operates the washing ,it will open the self-cleaning for about 3 minutes. All the buttons are invalid during the self-cleaning and it will return to normal after the self-cleaning |
| The nozzle goes back suddenly | 1.The washing cycle is 3mins. The nozzle will stop spraying after 3mins ,and then go back. | This is normal and please re-press the "wash" button to start washing again |
| | 2.There may be some problems of water supply | Please check if there is a water outage |
| | 3.Maybe the seated sensor detects the user left the seat | Please adjust sitting position |
| | 4.Maybe the cover is closing | Do not put down the cover when it is washing |
| Low water flow rate | 1.The water flow rate may be set at low grades | Please increase the flow rate as per "adjusting water flow rate" of operating instructions |
| | 2.The water supply pressure may be too low | Please check and ensure the water supply pressure is $\geq 0.07\text{Mpa}$ |
| | 3.The filter may be blocked | Please replace a new filter .It has a service life of approx. half a year |
| | 4.The nozzle may be blocked | Please replace a new nozzle |
| Low water temperature | 1.The water temperature may be set at low grades | Please set the water temperature at high grade as per "adjusting temperature"of operating instructions |
| | 2.Maybe the temperature of water supply is too low | Please set the water temperature at high grade as per "adjusting temperature"of operating instructions,or decrease the flow rate as per "adjusting water flow rate" of |
| The nozzle comes out slowly | When start washing function,the nozzle will be self-cleaning before coming out,and this will take some | This is normal |
| The water flows out but the nozzle do not come out | 1.When start washing function,the nozzle will be self-cleaning before coming out .When the washing is over ,also have this feature | This is normal |
| | 2.Maybe it is not used for more than 72 hours | This is normal. Not used for more than 72 hours ,when the user operates the washing ,it will open the self-cleaning for about 3 minutes |
| The drying function is not working | 1. The power supply may not be opened | Please turn on the power |
| | 2.Maybe not in the seating state | Please sit on the seat and adjust sitting position |
| | 3.Maybe the cover is closed | Please open the cover and sit on the seat |
| | 4.Maybe it is not used for more than 72 hours | Not used for more than 72 hours ,when the user operates the washing ,it will open the self-cleaning for about 3 minutes. All the buttons are invalid during the self-cleaning and it will return to normal after the self-cleaning |
| Low air temperature | 1.The air temperature may be set at low grades | Please set the air temperature at high grade as per "adjusting temperature"of operating instructions |
| | 2.The air heater can not work normally | Please contact local distributor |
| Night light is always off | 1.Maybe in the bright environment. | When the night light is set at smart mode,the night light will not work when in the bright environment. |
| | 2.The night light function may be closed. | Please open the night light function and adjust the night light mode as per "Light Setting" of operating instructions |
| Night light is always on | 1.Maybe in the dark environment. | When the night light is set at smart mode,the night light will be always on when in the dark environment |
| | 2.Something may be covered around the knob. | Recover the obstructions around the knob |
| | 3.The night light may be set at always on mode | Please adjust the night light mode as per "Light Setting" of operating instructions |
| The nozzle goes back automatically when manual cleaning | 1.The nozzle goes back after washing 5 minutes. | This is normal |
| | 2.Maybe press the "stop" button | The manual cleaning will be stopped if press the knob or press the "stop" button on the remote control. |
| | 3.Maybe the seated sensor detects that the seat is closing | Please do not put down the seat during the manual cleaning |
| The remote control is not functioning | 1.Maybe there are not batteries in the remote control | Please install the correct batteries in the remote control |
| | 2.Maybe the battery power is too low | When the battery power is too low the LED of grade will flash.Please replace the battery |
| | 3.Maybe the code of the bidet and remote control is not the same | Please set the code of the remote control to the correct one .See "One-On-One Setting" |
| There are BEEP sounds when the bidet is working | There is a short BEEP when you are sitting down , and a long BEEP when you leave. Also there is a short BEEP when the bidet has received commands. | This is normal. You can turn off the sound. See "Sound Setting" |
| The bidet can not work normally | Maybe there is something abnormal | Please shut off the power and turn on after one minute. If the bidet still cannot work,please contact local distributor |
| The light around the knob flash twice with constantly BEEP | The water supply temperature may be too high | Please shut off the power and water supply,stop using the product,and then contact local distributor |
| The light around the knob keep flashing | There may be something wrong with the product | Please check if the electric power and water supply are normal,cut off the power and restart the product. If the bidet still cannot work,please contact local distributor |



Do not dispose electrical appliances in general municipal waste. Use the appropriate separate collection facility provided by your local council.

Contact your local government for information regarding the collection and/or disposal options available.

Incorrect disposal of electrical appliances may cause hazardous substances to leak into groundwater and food chain supplies, damaging the health and well-being of natural environments.

When replacing old appliances with new ones, the retailer is legally obligated to take back your old appliance for disposals at least free of charge.

For further information or help, please contact us:

(02) 8985 2619

Head Office: 27 Helles Avenue,
Moorebank, NSW 2170

www.gallaria.com.au