

INSTALLATION INSTRUCTIONS

FOR THE FOLLOWING MODELS

ALTACOMFORT+

WALL HUNG PAN

CODE: AT310



EVOCOMFORT+

WALL HUNG PAN

CODE: EV310



OMNICOMFORT+

WALL HUNG PAN

CODE: OM310



LENZACOMFORT+

WALL HUNG PAN

CODE: LZ310





CAUTION

Gallaria shall not be liable for any loss arising from the failure to comply with the following:

1. This toilet is considered to be a Class I (1) electric appliance, and therefore must be 'grounded' by a qualified and licensed electrician to prevent damage, injury or death.
2. Please ensure the electrical components are not installed where it can easily be splashed with water.
3. Please ensure the toilet is installed in a bathroom with adequate ventilation, e.g. window ventilation or a bathroom exhaust fan(s).
4. If the supply cord is damaged, please ensure it is replaced by a qualified service agent or similarly qualified persons in order to prevent damage, injury or death.

EXPLANATION OF SYMBOLS



DANGER

Refers to a potentially dangerous situation that may cause serious injury or death .



STOP

Do not touch or interfere.



CAUTION

Refers to a potentially dangerous situation that may cause injury or damage to property.



TAKE NOTICE

Follow the instructions accordingly.

SAFETY ADVICE

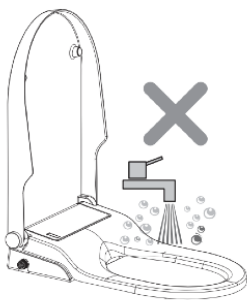
To avoid the risk of electric shock, short-circuiting, fire, water leakage and damage to the product:



DO NOT Insert or remove power plug with wet hands.

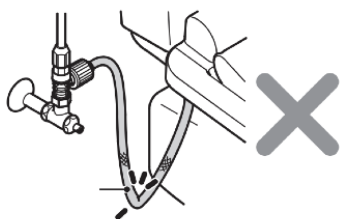


DO NOT damage the power cord and plug. Inspect both before installation to ensure all is intact.



DO NOT disassemble, attempt to repair or reassemble the product.

DO NOT splash water, detergents or urine on the product and the power plug.

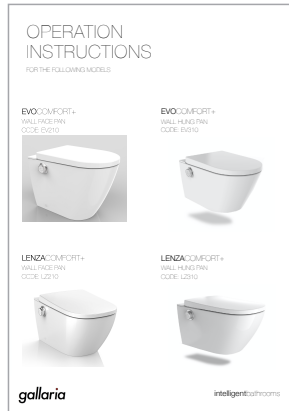


DO NOT bend or distort the inlet hose.

INCLUDED IN THE BOX



Installation Instructions



Operation Instructions
(EVO&LENZA)



Operation Instructions
(ALTA&OMNI)



Remote Control
(batteries not included)



Remote Control
Holder



Expansion Screws



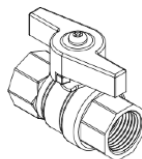
Screw
Washers



Adhesive
Tape



Inlet Hose



Ball Valve



Filter



Flush Rate Limiter

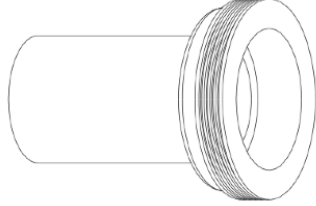


Coupler
Connection Set

INCLUDED IN THE BOX



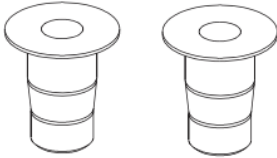
Inlet Pipe
(with gasket)



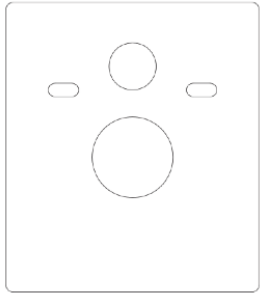
Waste Pipe



2 x M12 Bolts



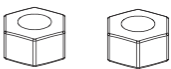
2 x Plugs



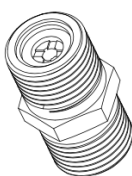
Installation
Template



2 x Washers



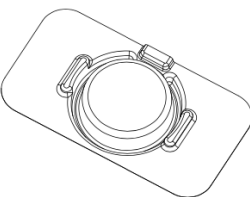
2 x M12 Nuts



Check Valve

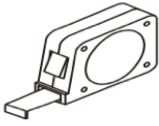


Seated Block



Washing Test Block

TOOLS REQUIRED



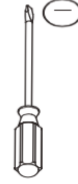
Measuring Tape



Pencil or Marker



Phillips Head Screwdriver



Slotted Head Screwdriver



Knife



File



Adjustable Wrench



Wire Stripper



Electric Drill



12mm Drill Bit

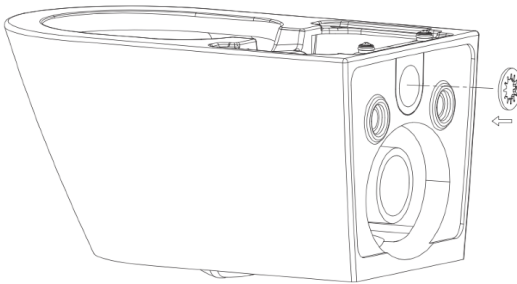


Hacksaw



Ruler

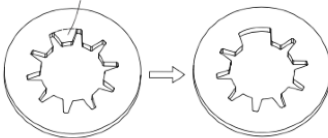
FLUSH ADJUSTMENT



TAKE NOTICE

If the water volume of the flushing cistern is too powerful, the flush rate limiter may assist with reducing the velocity of the flush.

Cut off

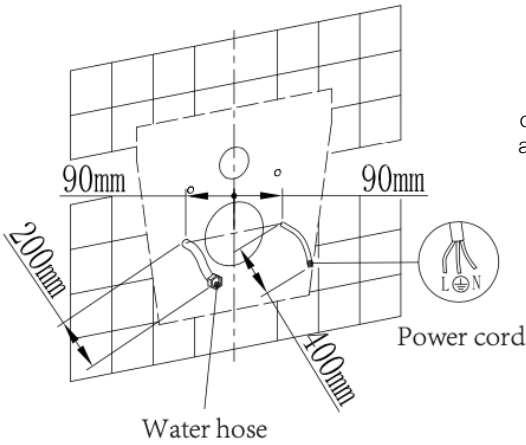


If, after installing the flush limiter, the flush velocity is not adequate, cut one or more of the teeth on the limiter to increase water flush volume.

TOILET PAN INSTALLATION

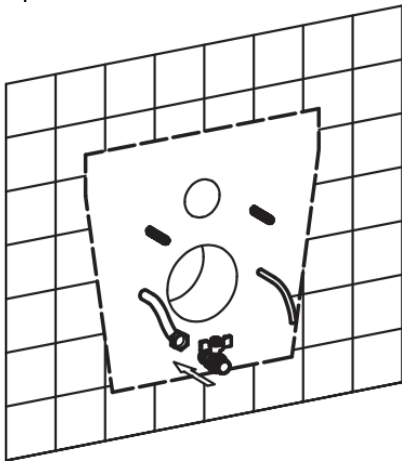


Installation must be performed by qualified and licensed tradesmen. Failure to do so may result in damage to property, personal injury or death.



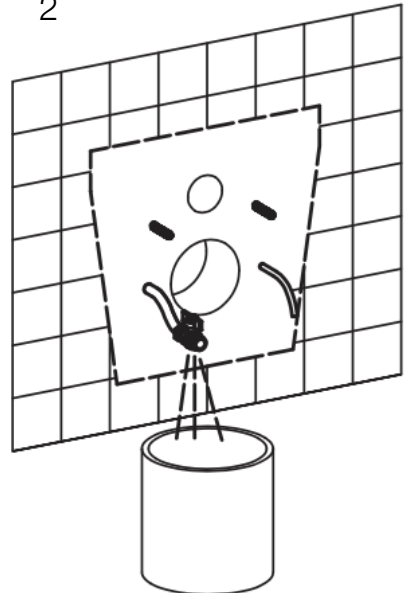
Before installation, ensure the water inlet hose and power connection cord is marked out/accommodated for accordingly.

1

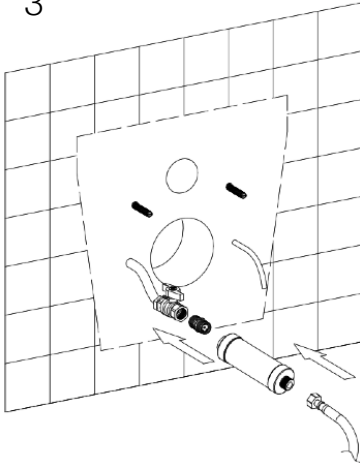


10 Sec

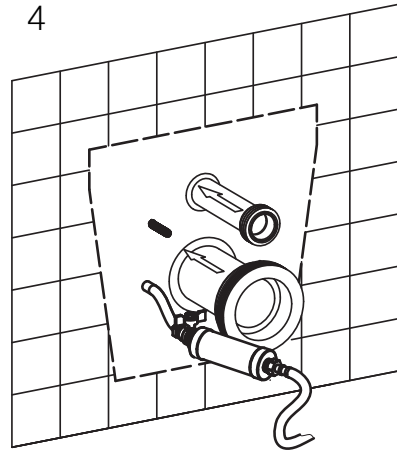
2



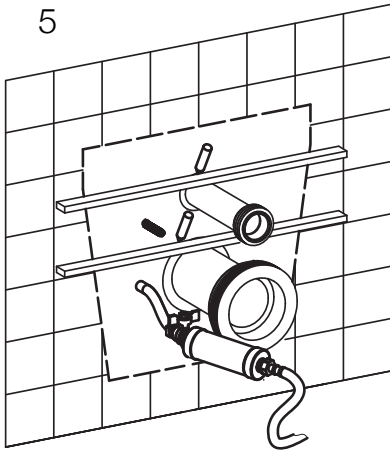
3



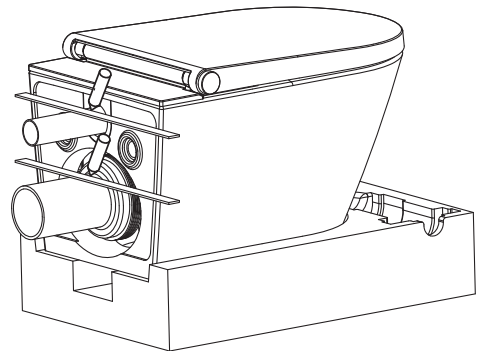
4



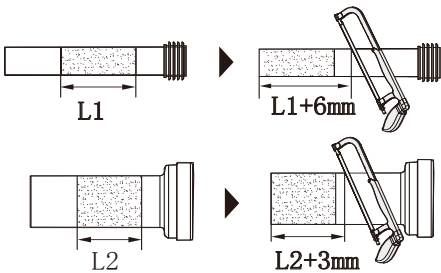
5



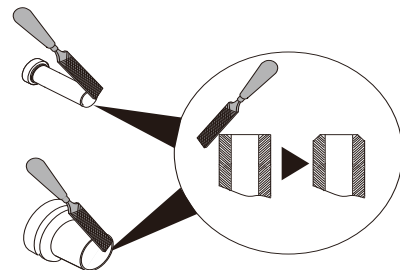
6



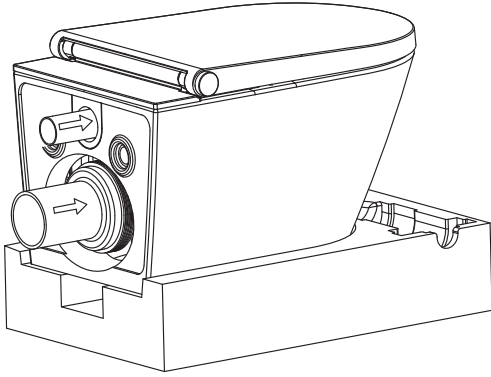
7



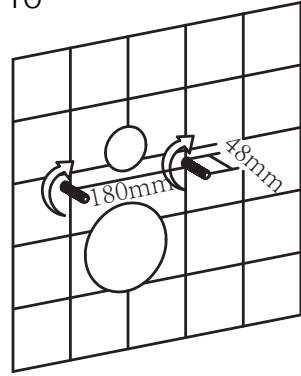
8



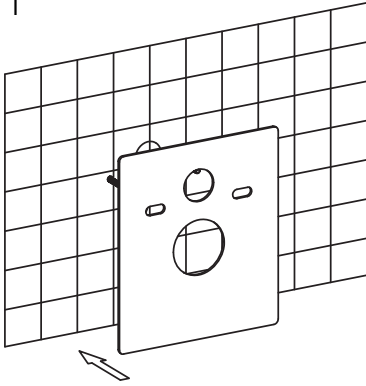
9



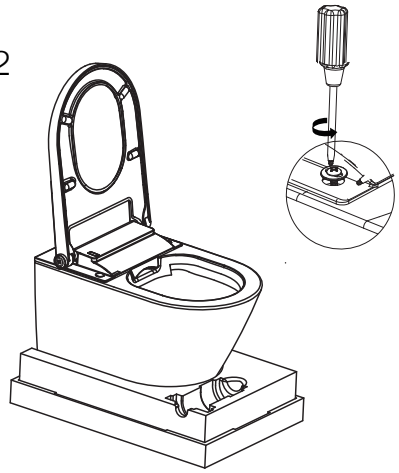
10



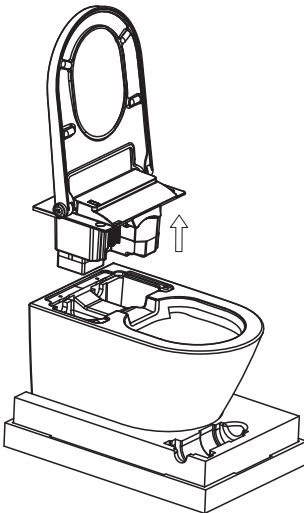
11



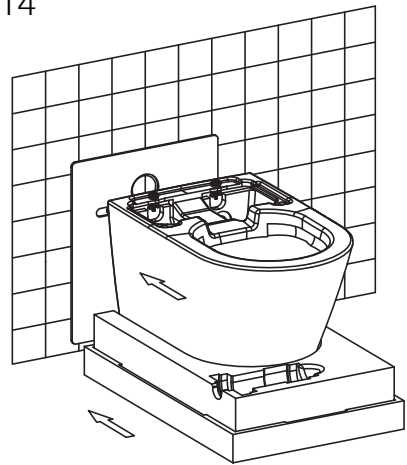
12



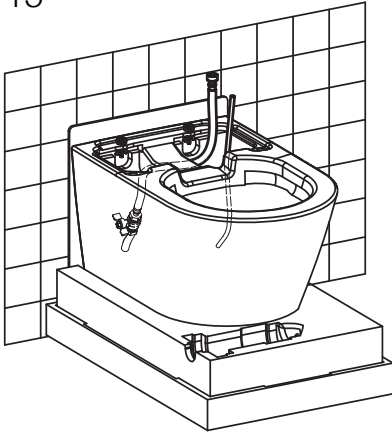
13



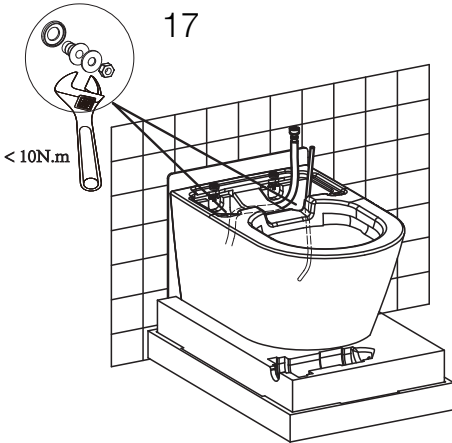
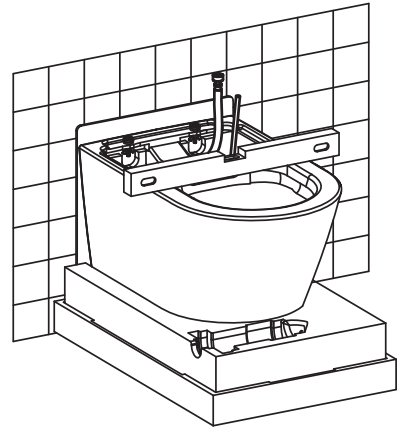
14



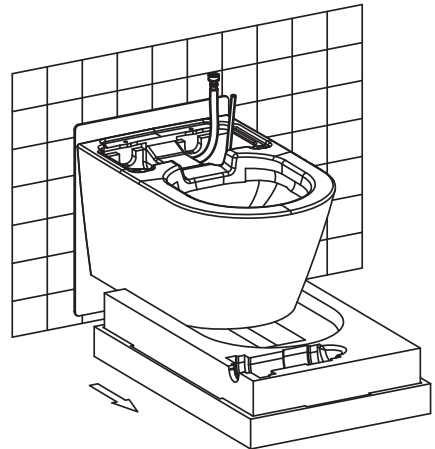
15



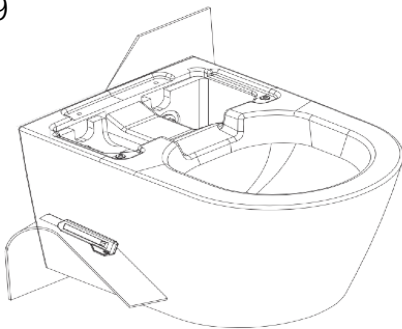
16



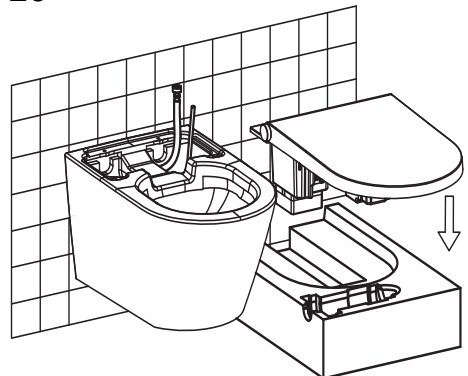
18



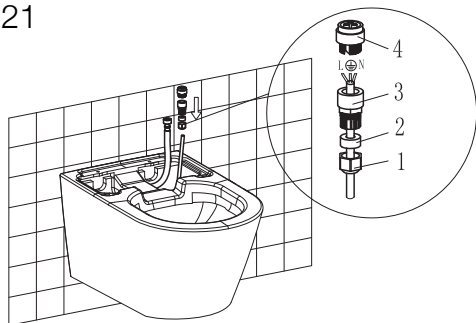
19



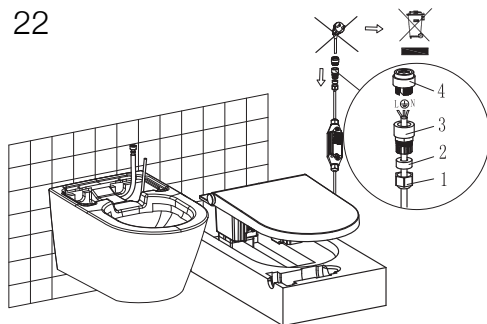
20



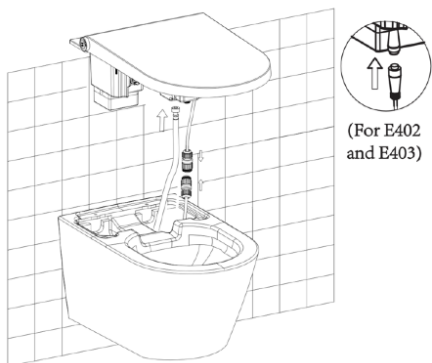
21



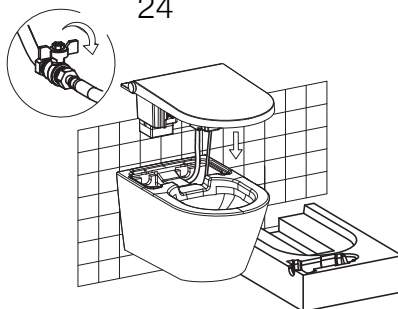
22



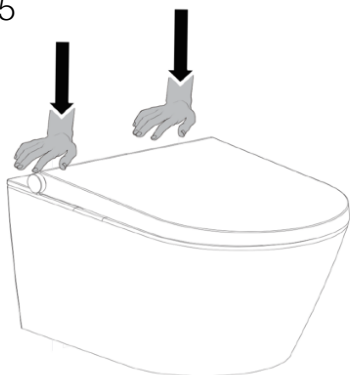
23



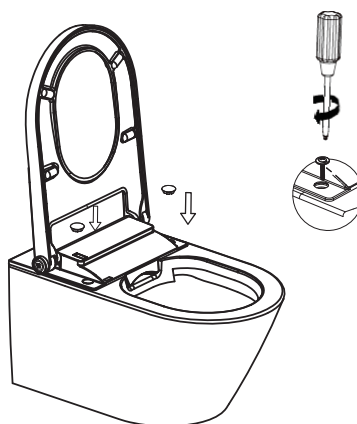
24



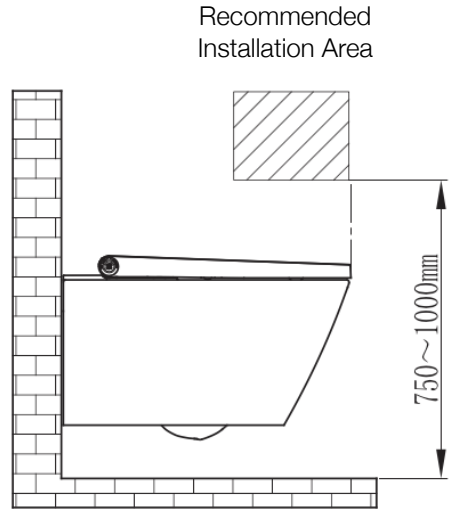
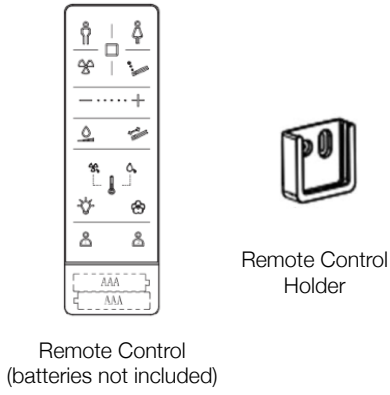
25



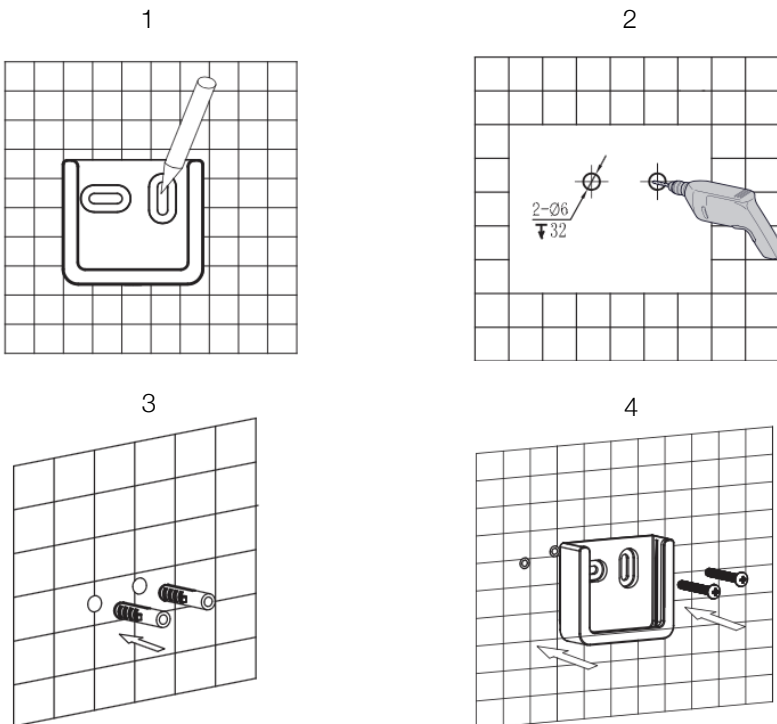
26



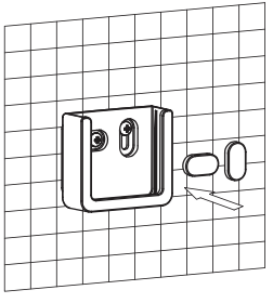
REMOTE CONTROL INSTALLATION



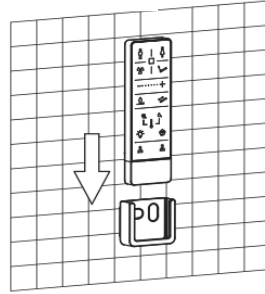
Installation Method A



5

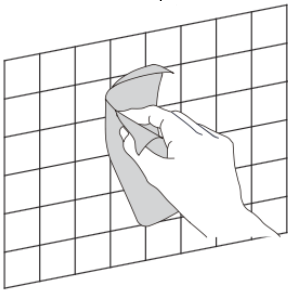


6

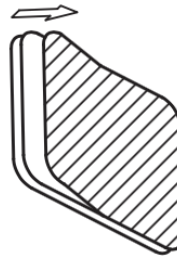


Installation Method B

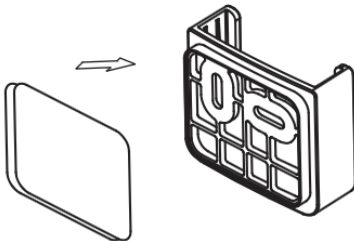
1



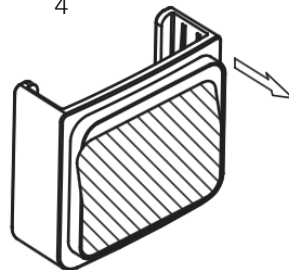
2



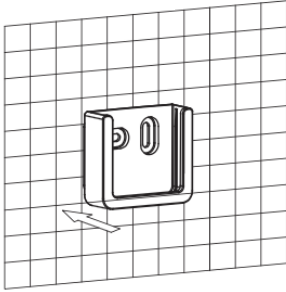
3



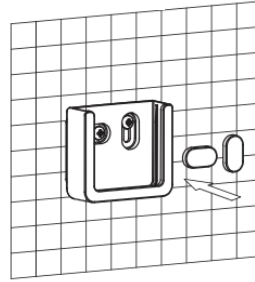
4



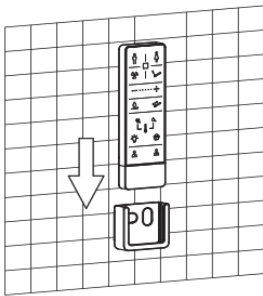
5



6



7



For further information or help, please contact us:

P: 1300 961 239

Head Office: 27 Helles Avenue,
Moorebank, NSW 2170

www.gallaria.com.au