

TROPICALPULSE+

WALL FACE PAN

CODE: TR210

gallaria

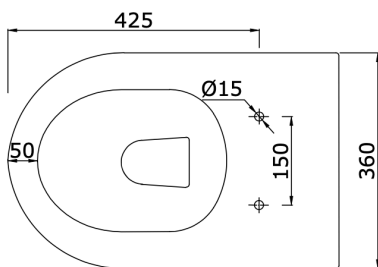
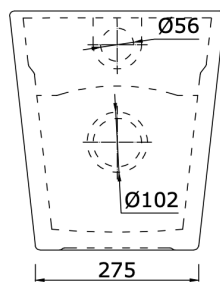
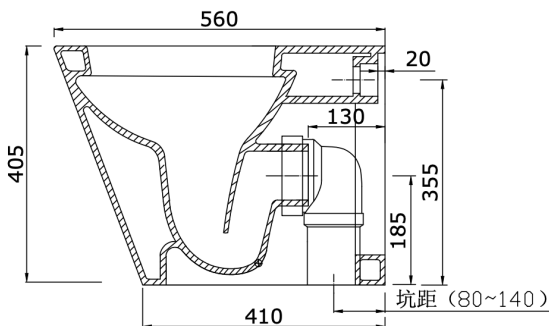
intelligentbathrooms®



- Inclusions**
- ✓ TROPICALPULSE+ Wall Face Pan with Intelligent Bidet Seat
 - ✓ Waste pipes
 - ✓ Check valve/ball valve & inlet hose

- Features**
- Heated seat
 - Instantly heated water 35°C-38°C
 - Self-cleaning shower spray nozzle with rear and woman's wash functions
 - Easy to use control knob to adjust and control wash
 - Adjustable flush volume
 - Aerated wash stream
 - Soft close seat
 - Rimless pan for reduced bacteria build-up
 - IPX4 Waterproof rating

- Note**
- Integrated Bidet Seat Complies with WMTS-051
- Bidet Seat includes integrated break tank with air gap, complying with AS 2845.2
 - Integrated high hazard back flow prevention device complies with installation standards outlined in AS/NZS 3500.1 without the need for a RPZ valve.



Notes for the installer

Connection to rain water or grey water is not recommended. It should only be operated with potable/drinking water.

Standard setout: 80-140mm

The maximum water pressure for water supply is 500kpa.

Power supply requirements: Dedicated 10A min, 220~240V AC, 50/60Hz supply

WELS: 0016
WM: 030025

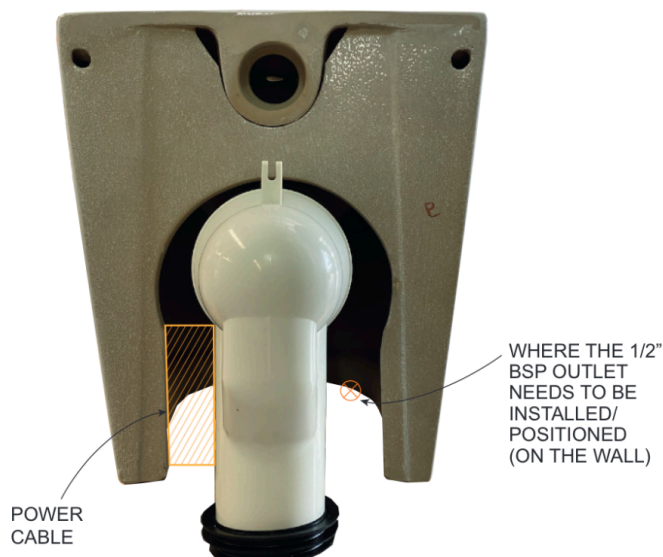
WATER & ELECTRICAL CONNECTION DETAILS

IMPORTANT

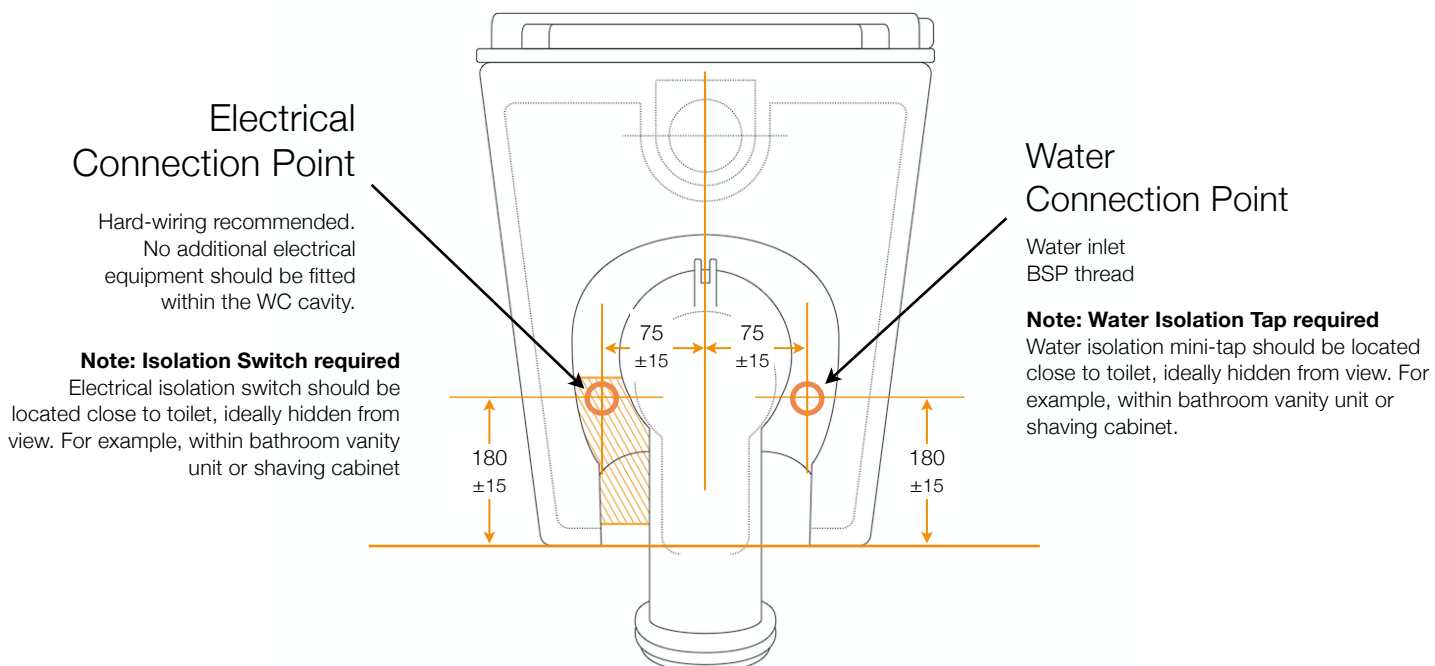
ALL ELECTRICAL CONNECTIONS MUST BE INSTALLED BY A QUALIFIED ELECTRICIAN IN ACCORDANCE TO AS/NZS 3000.

The electrical components must be protected by a 10A Residual Circuit Breaker/RCD and a 10A magnothermic switch. Both switches **MUST** be located outside of the bathroom.

REAR VIEW



REAR VIEW



WELS: 0016
WM: 030025