

GEMMOLOGICAL REPORT

image is approximate

Date ..... 20-Aug-20  
 Report number ..... R-202031974

Weight ..... 3.699 carats  
 Measurements ..... 11.46 x 8.08 x 4.43 mm  
 Shape ..... Octagonal

Identification ..... Natural Spinel  
 Colour ..... Deep Orangi Red

Comment : No indication of any treatment

Origin determination: Burma (Myanmar)  
 Spinel from Burma were formed some 35 million years ago.

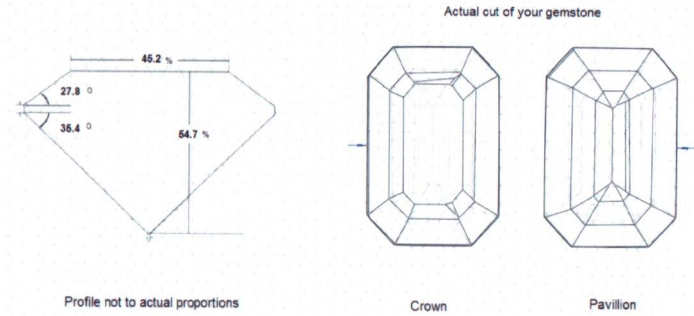
Dr. D. Schwarz



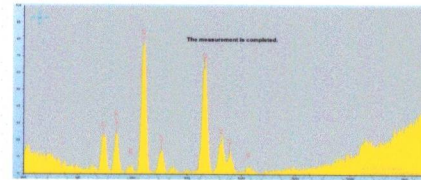
M.P.H Curti, GG

GEMMOLOGICAL PROPERTIES

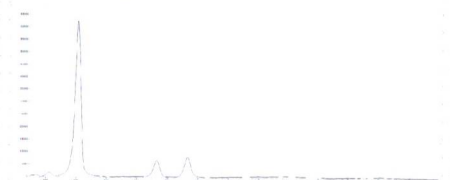
The data collected on your item is valid at the issuance date of this report



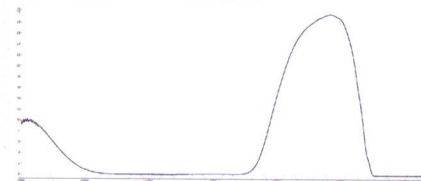
Energy-dispersive X-ray fluorescence spectroscopy



Raman Spectroscopy



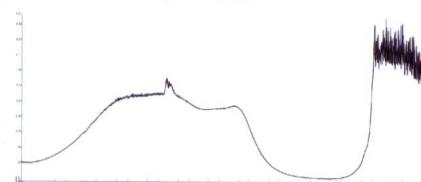
Fourier-transform infrared spectroscopy (T%)



Photoluminescence



Fourier-transform infrared spectroscopy (A)



Ultraviolet-visible spectroscopy



Verify this report at [gemlabanalysis.com](http://gemlabanalysis.com). Download digital report. 360 video & 3D scan

