

GEMMOLOGICAL REPORT

image is approximate

Date ..... 20-Aug-20  
 Report number ..... R-202031971

Weight ..... 6.669 carats  
 Measurements ..... 11.95 x 9.15 x 6.60 mm  
 Shape ..... Octagonal

Identification ..... Natural Spinel  
 Colour ..... Orangi Pink

Comment : No indication of any treatment

Origin determination: Burma (Myanmar)  
 Spinel from Burma were formed some 35 million years ago.

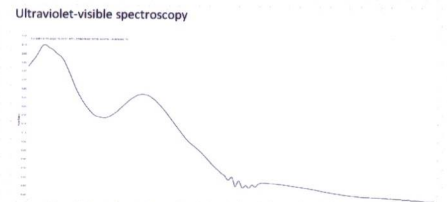
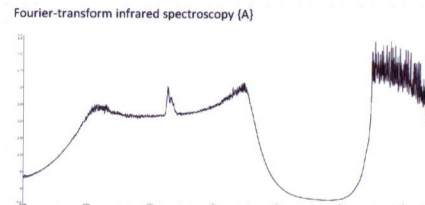
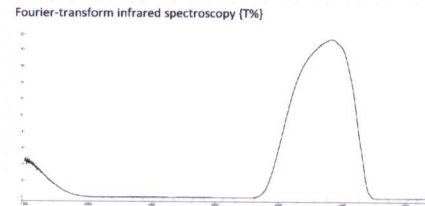
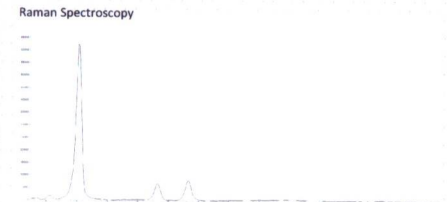
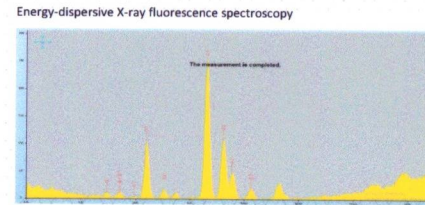
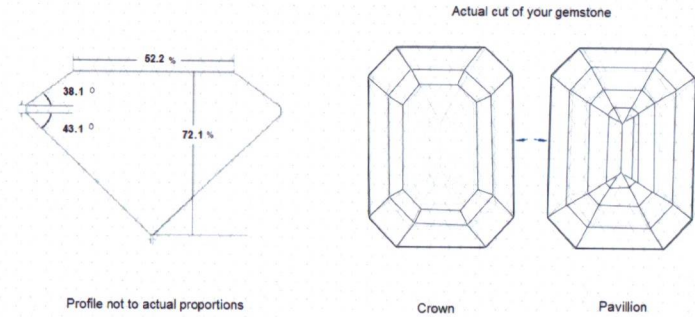
Dr. D. Schwarz



M.P.H Curti, GG

GEMMOLOGICAL PROPERTIES

The data collected on your item is valid at the issuance date of this report



Verify this report at [gemlabanalysis.com](http://gemlabanalysis.com). Download digital report, 360 video & 3D scan

