

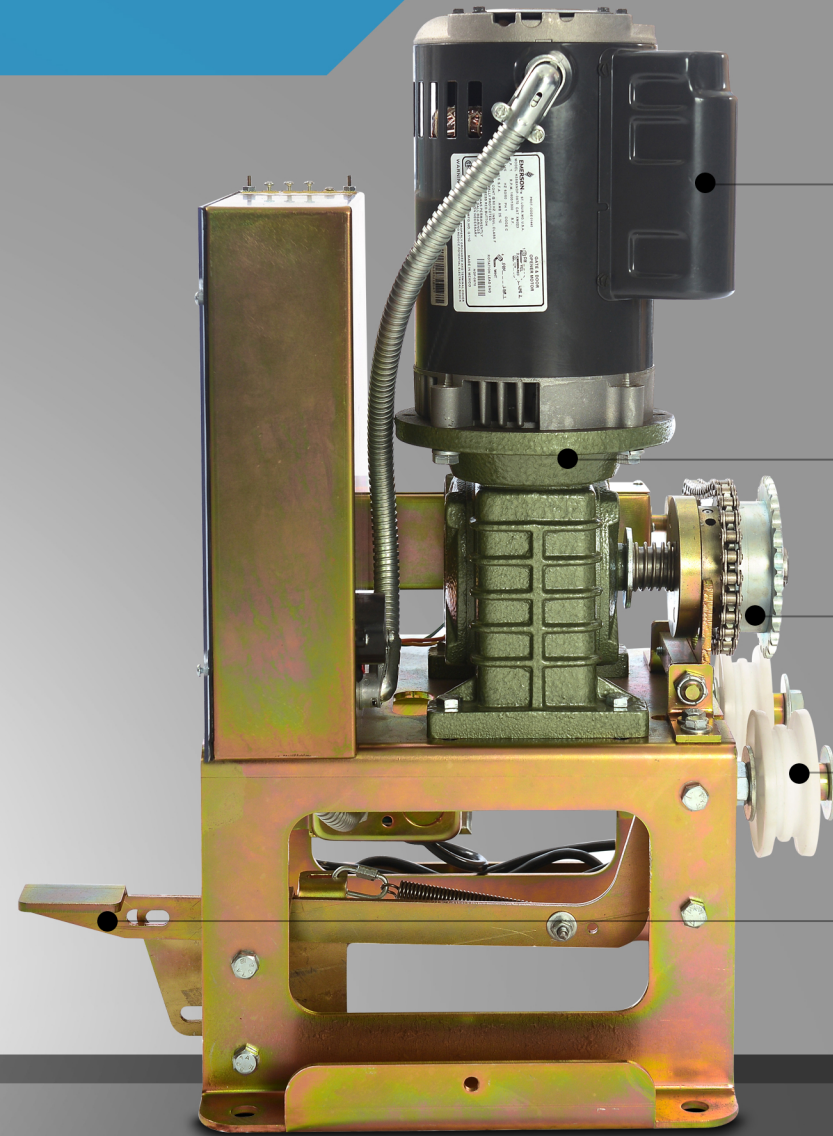


# EAGLE-1000-FR

## SLIDE GATE OPERATOR Gate Capacity 27' & 600 lbs



# EAGLE-1000-FR



**MOTOR**  
Continuous duty  
½ horsepower AC motor

**GEAR REDUCER**  
Heavy duty, size 50 gear  
reducer for efficiency

**RELEASE MECHANISM**  
Disengages the operator  
from the chain

**IDLER WHEELS**  
Quiet and smooth  
operation

**FOOT PEDAL**  
Foot Pedal to open

### KEY FEATURES



**LIGHTNING AND SURGE SUPPRESSION**  
Built in state of the art lightning and surge protection.



**FOOT PEDAL RELEASE**  
Simply step on the foot pedal and push the gate open when power is not available.



**RESIDENTIAL/LIGHT COMMERCIAL**  
This operator is perfect for a home or for a business that utilizes a smaller gate.

For easy access the Foot Release Model allows you to push the gate open during a power outage in case of an emergency with the use of a foot pedal, that disengages the operator from the gate. The foot pedal can be secured with a pad lock in the closed or open position and can be used for gates up to 27 feet or 600 pounds. Like all operators in the Eagle-1000 series, the Foot Release Model utilizes the Diamond control board. The most featured packed control board in the industry.



UL325 Compliant  
UL991 Compliant



ADVANCED FEATURES 5 YEAR WARRANTY QUIET OPERATION

[www.EagleOperators.com](http://www.EagleOperators.com)