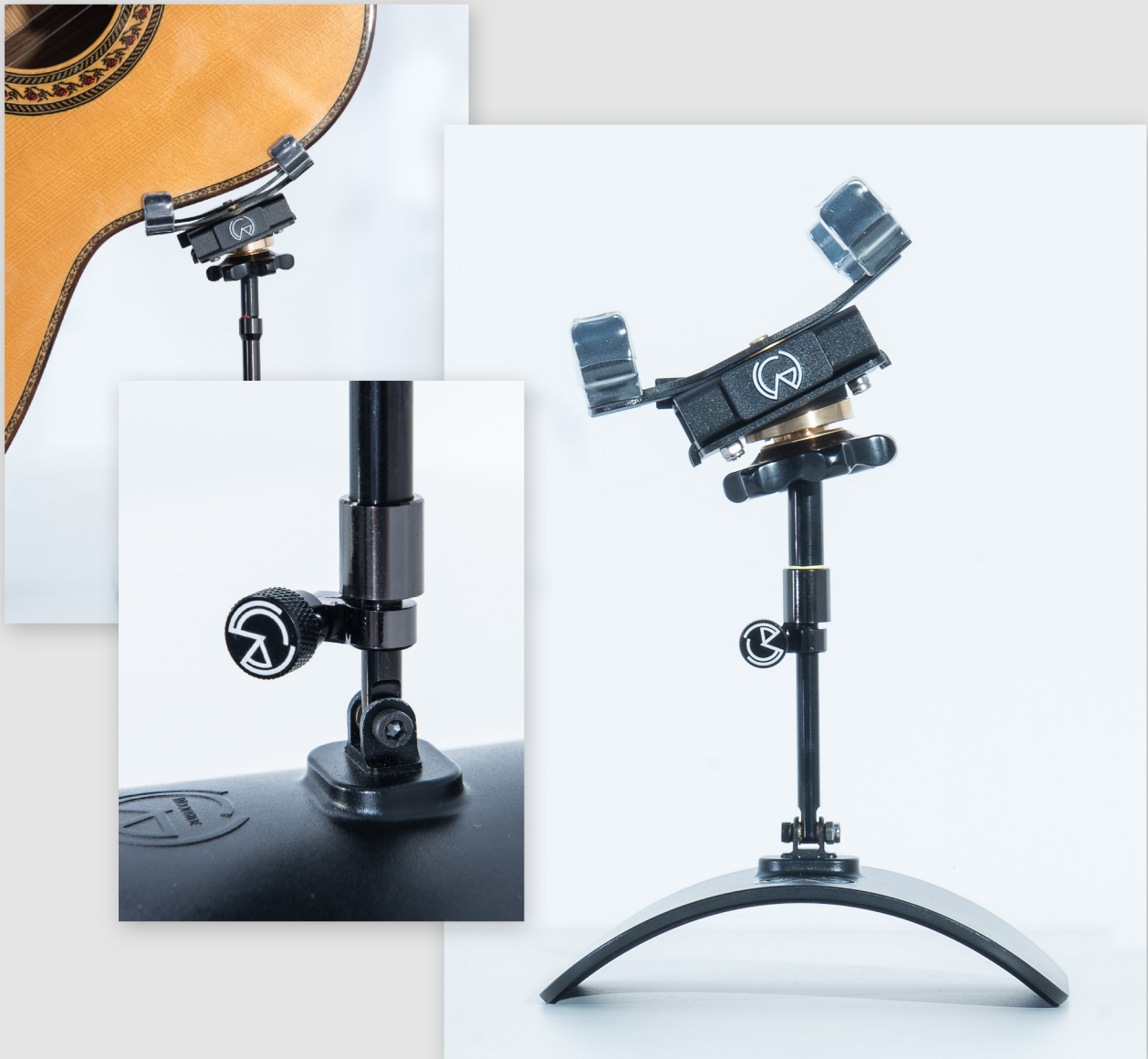


Woodside GS4-PCL Guitar Support

Latest update to the world's most adaptable and comfortable GS4 Guitar Support - enhanced to include the "Pro" Collar. Now with exceptional precision and stability.

Experience immediate benefits to performance and comfort - lasting benefits realized through improved posture and reduced body strain.



Patented and professional player-tested features:

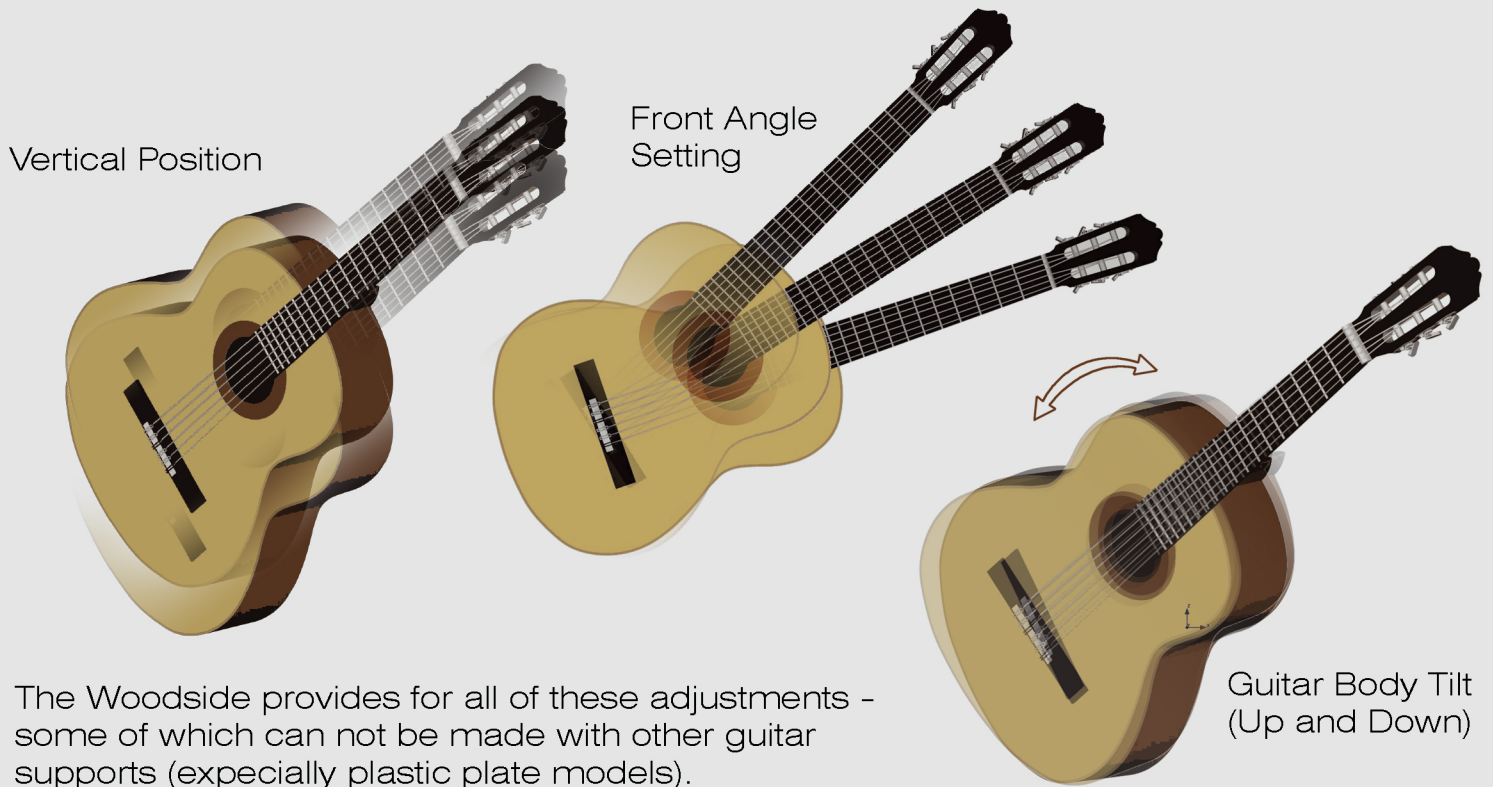
- Fully pivoting gripper system (conventional and raised fingerboard compatible).
- Locking Ball & Socket system for angular adjustment relative to support pillar
- Cradle rotates freely relative to leg rest
- Wide range of accessories for additional customization and positioning
- Easy disassembly for compact stowage and transport



WOODSIDEGUITARS.COM

Woodside Allows You to Get YOUR Unique Playing Position

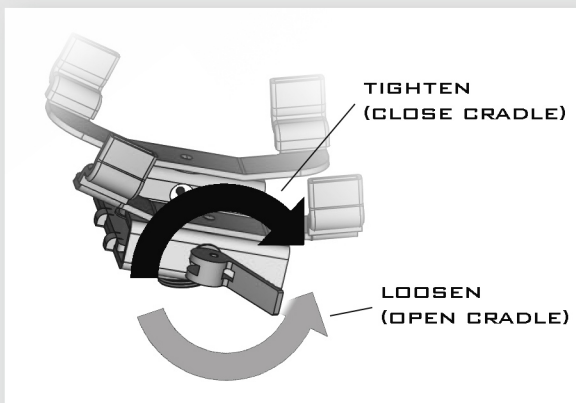
Freedom and flexibility of the footstool, but with the improved ergonomics and posture retention of a guitar support.



The Woodside provides for all of these adjustments - some of which can not be made with other guitar supports (especially plastic plate models).

Once set up, the Woodside “remembers” your settings. It’s literally a “snap” to attach and remove the support.

The only guitar support with quick attach and detach mechanism

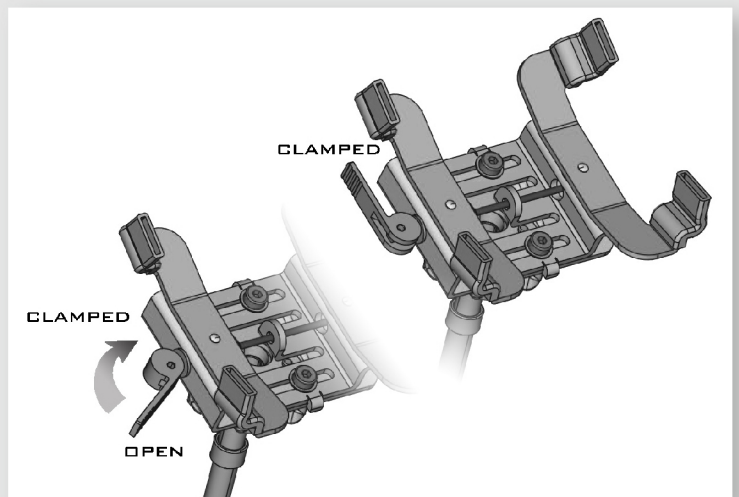


Make basic size adjustment by turning the Lever screw in and out to match the body width of your guitar.

Note - It is highly precise and repeatable. If you have more than one guitar just note how many turns it takes to go from one to the other.

Once the basic Cradle opening size is set, it’s a simple flip of the lever to enact a firm and stable clamp to the guitar.

Note - The clamping action will not harm the guitar in any way (ask your luthier if you have concerns).



Unique Woodside Gripper System

The patented Woodside pivoting gripper system provides advantages found in no other guitar support.



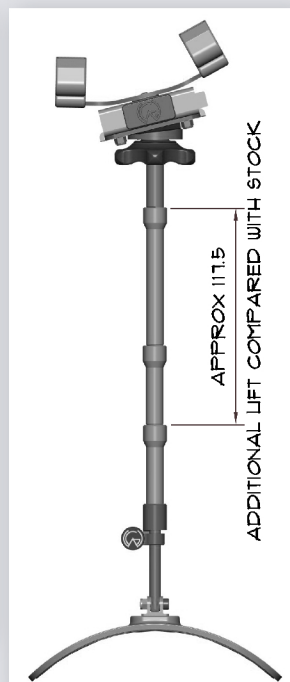
Not only compatible with raised fingerboard guitars, the grippers automatically align with body depth variations found in every guitar. This translates into lower overall gripping force required and ensures uniform grip on all four contact points. No other product has it.

Available Accessories

In cases where the standard product fit and adjustment need to be further extended, Woodside offers additional accessories that can be attached to the guitar support. You're sure get the fit and positioning that's perfect for you.



HLK-3 ~117mm Additional Height



AB-2 • Provides 15 or 25° Additional Angle Offset

(Note - HLK-1/2 are not compatible with GS4-PCL)

Specifications & Additional Information

- Clamping Width Range: 79 – 113 mm
- Height Range* (Upper part of leg rest to instrument resting position): 90 – 178 mm
- Angle Range – 13° (Ball & Socket) in all directions (base has 14° bias/offset)
- Weight: Approx 190 g
- Materials: Anodized aluminum, brass, stainless steel, PC/ABS Injection Molded
- Folded Size (for stowage): 130 x 100 x 59 (high)

** Specifications are approximate and subject to change without notice*

Use Case Examples

* Not all photos showing this model, some examples require accessories, sold separately.



The Finest Accessory for Any Guitar Player



Every unit comes complete with Cradle Assembly, Leg Rest, Pro-level Collar Collar Extender, Ball End Rod, and Retainer Cup.

* Visit our website or contact your local dealer for more information.
www.woodsideguitars.com

