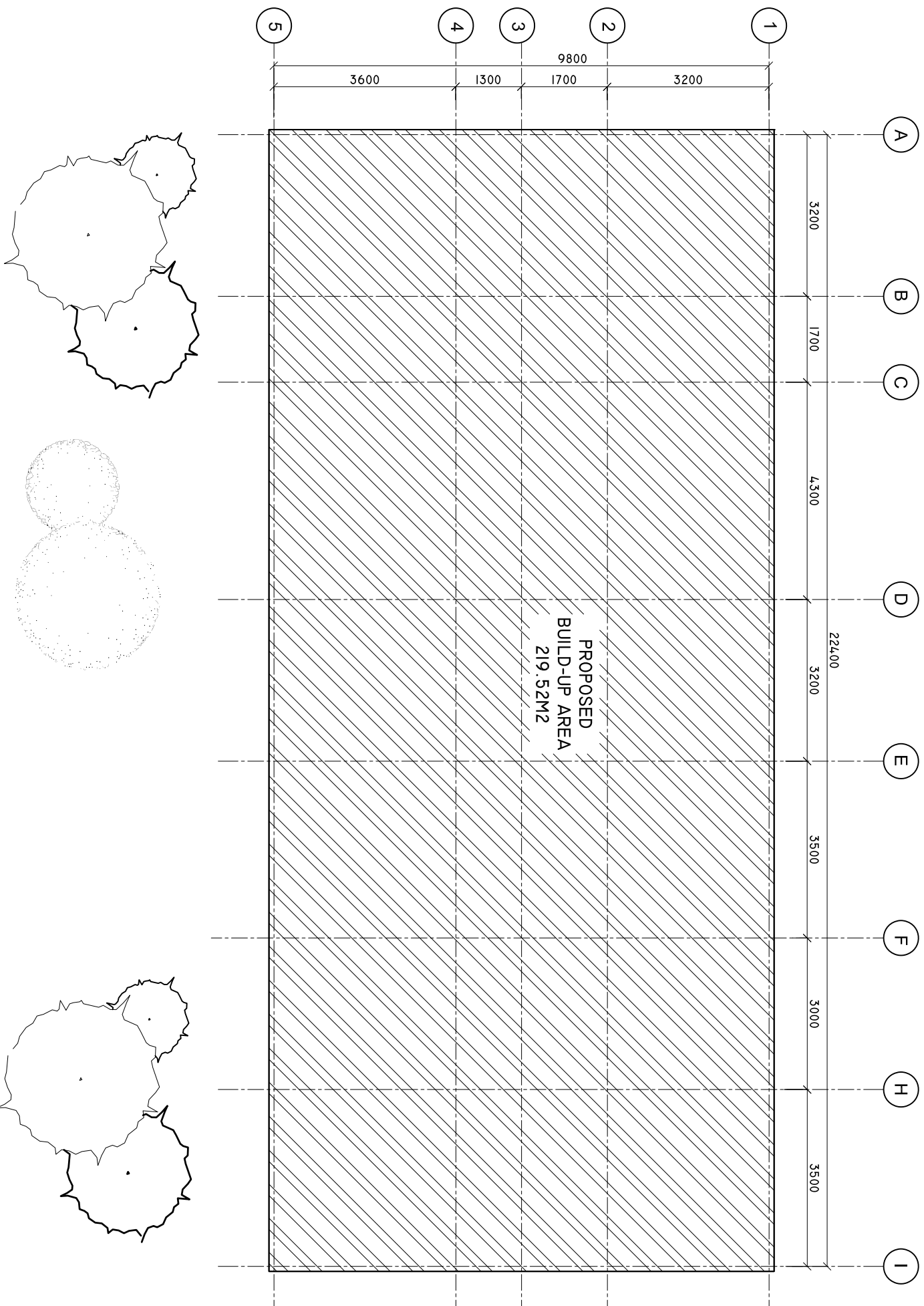
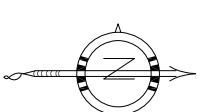


SITE PLAN

SCALE: 1 : 100



A B C D E F G H I

1 2 3 4 5

PROPOSED
BUILD-UP AREA
219.52M²

SHEET CONTENTS :

REVISION NOTES:
REVISED ON APRIL 2021.

PROJECT:
CONSTRUCTION OF
OFFICE AND SERVICE
BLOCK

CLIENT:
MINISTRY OF HEALTH

LOCATION:
DIFFERENT ISLANDS

CONTENTS: AS GIVEN

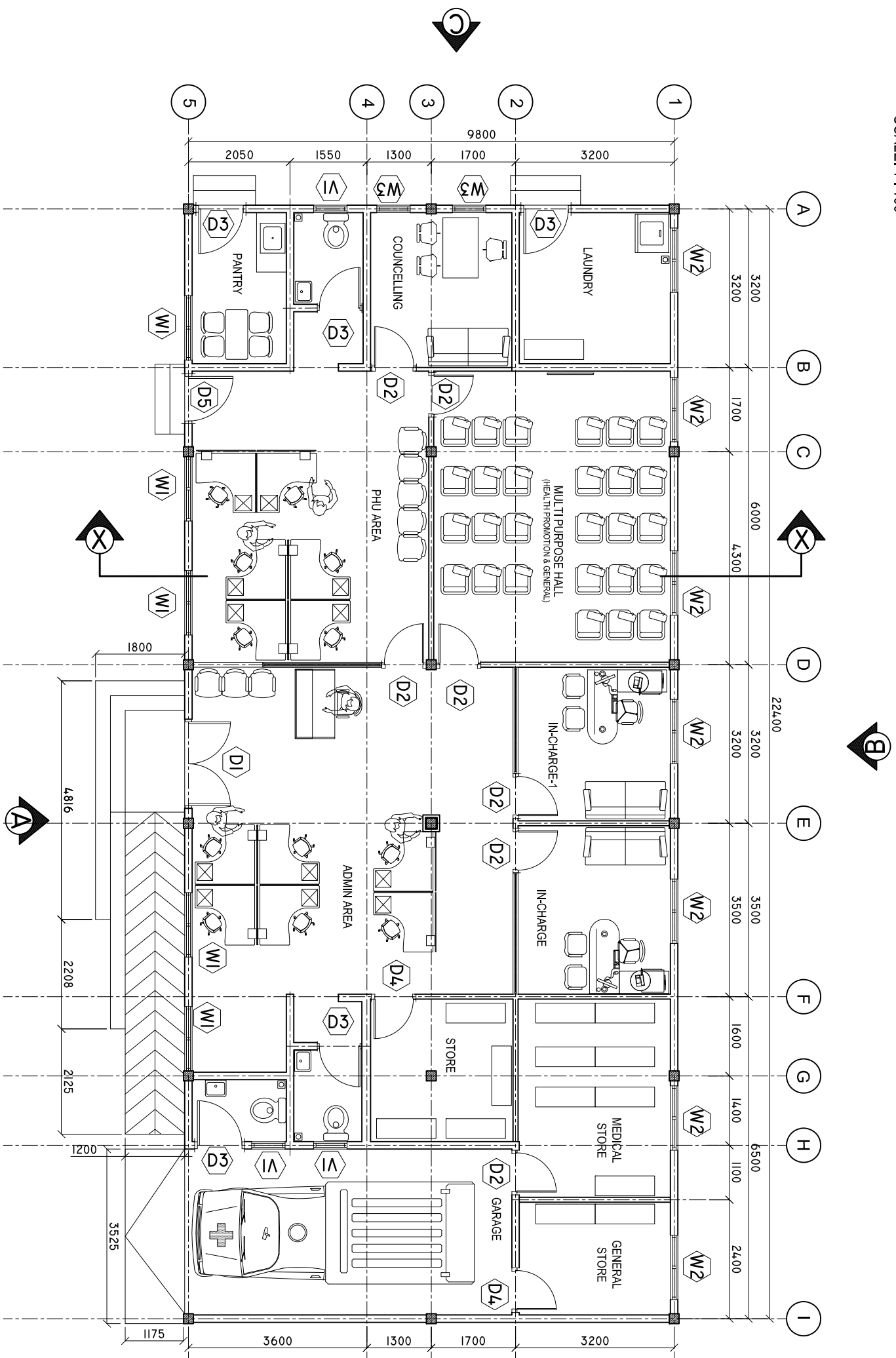
PROJECT MANAGER:
DESIGNER: ARIZ
CIV/STR. ENGINEER: ISMAIL
SURVEYED BY: -
DRAWN BY: ARIZ
CHECKED BY:
DATE : APRIL 2021
SHEET NO. : /
PAPER SIZE: A3



Infrastructure Development Unit,
Ministry of Health
Koshaneh Building
Sosun Magar
Tel: 332 8887, Fax: 3328889
Email: project@health.gov.mv

FLOOR PLAN

SCALE: 1 : 100



SHEET CONTENTS :

REVISION NOTES:

REVISED ON MAY 2022 AS PER SITE VISIT ON 3 MAY 2022.

PROJECT:
CONSTRUCTION OF OFFICE AND SERVICE BLOCK

CLIENT:
MINISTRY OF HEALTH

LOCATION:
DIFFERENT ISLANDS

CONTENTS: AS GIVEN
PROJECT MANAGER:

DESIGNER: ARIZ

CIV/STR. ENGINEER: ISMAIL

SURVEYED BY: -

DRAWN BY: ARIZ

CHECKED BY:

DATE : APRIL 2021

SHEET NO. : /

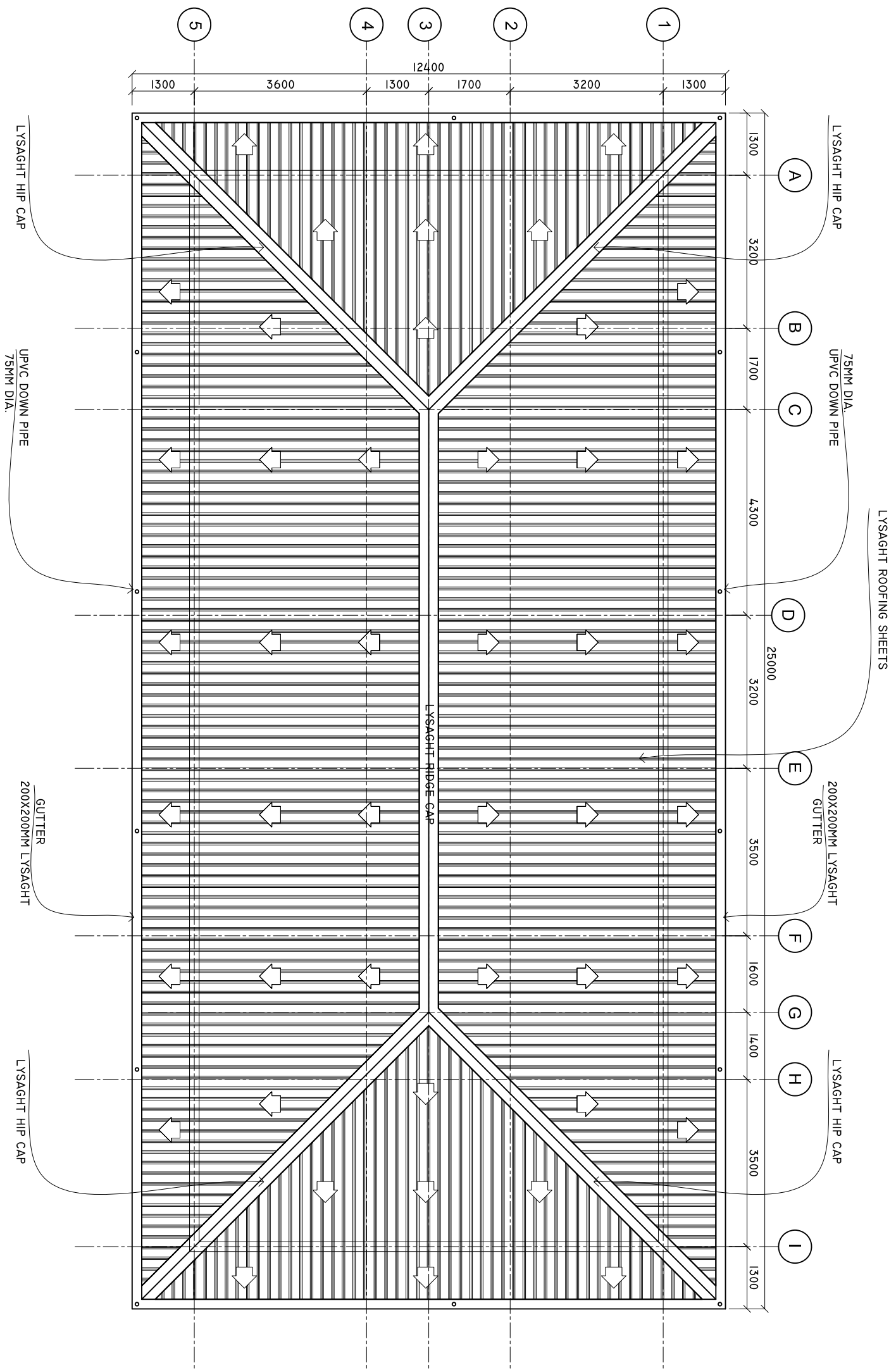
PAPER SIZE: A3



Infrastructure Development Unit,
Ministry of Health
Roshaneh Building
Sosun Magut
Tel: 332 8887, Fax: 3328889
Email: project@health.gov.mv

ROOF PLAN

SCALE: 1 : 100



SHEET CONTENTS :

REVISION NOTES:	
REVISED ON:	APRIL 2021.

PROJECT:
CONSTRUCTION OF
OFFICE AND SERVICE
BLOCK

CLIENT:
MINISTRY OF HEALTH

LOCATION:
DIFFERENT ISLANDS

CONTENTS: AS GIVEN
PROJECT MANAGER:

DESIGNER: ARIZ
CIV/STR. ENGINEER: ISMAIL

SURVEYED BY: -
DRAWN BY: ARIZ
CHECKED BY:

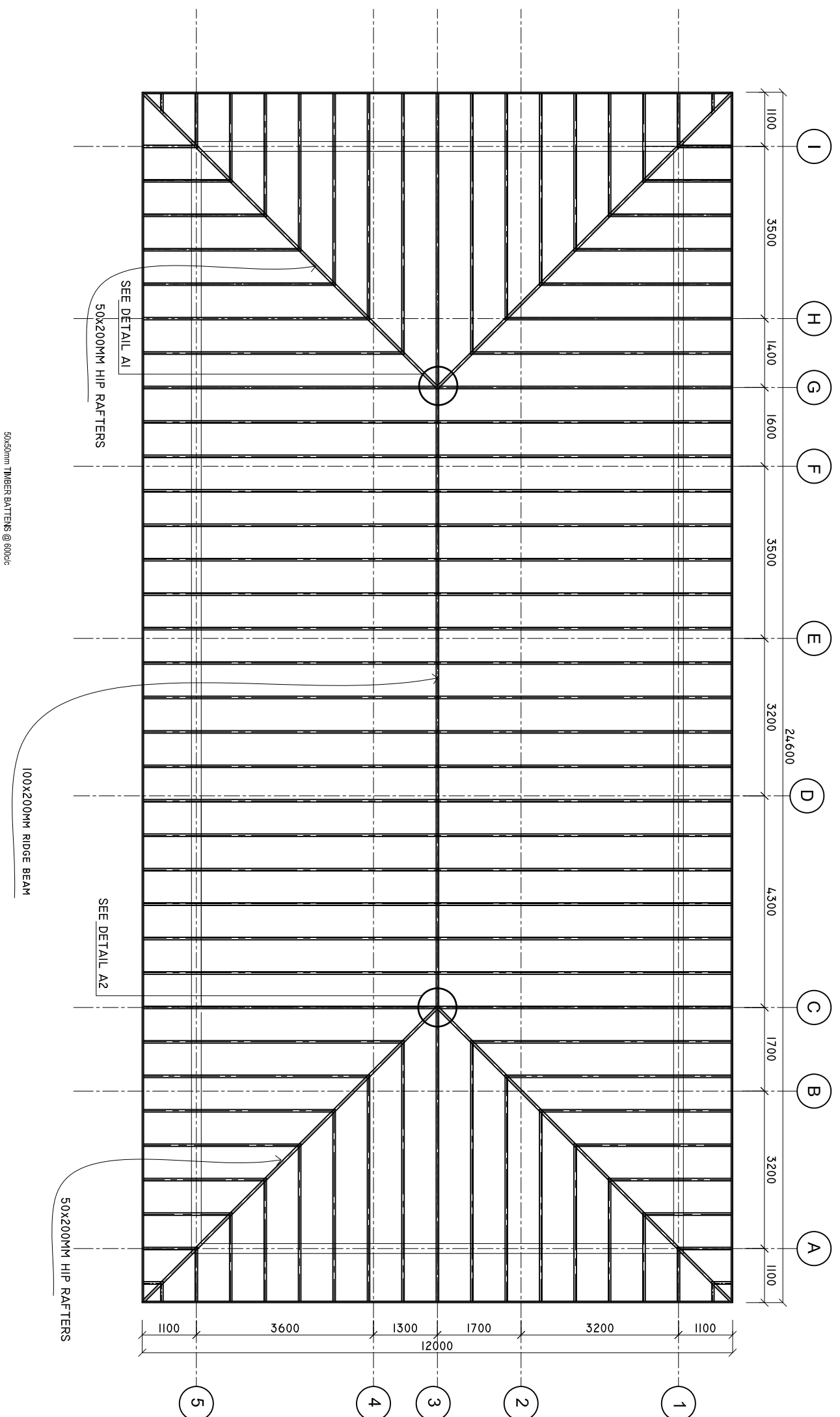
DATE : APRIL 2021
SHEET NO. : /
PAPER SIZE: A3



Infrastructure Development Unit,
Ministry of Health
Roshaneh Building
Sosun Magu'
Tel: 332 8887, Fax: 3328889
Email: project@health.gov.mv

ROOF FRAMING PLAN

SCALE: 1 : 100



SHEET CONTENTS :

REVISION NOTES:

REVISED ON MAY 2022 AS PER SITE VISIT ON 3 MAY 2022.

PROJECT:
CONSTRUCTION OF
OFFICE AND SERVICE
BLOCK

CLIENT:
MINISTRY OF HEALTH

LOCATION:
DIFFERENT ISLANDS

CONTENTS: AS GIVEN
PROJECT MANAGER:

DESIGNER: ARIZ

CIV/STR. ENGINEER: ISMAIL

SURVEYED BY: -

DRAWN BY: ARIZ

CHECKED BY:

DATE : APRIL 2021

SHEET NO. : /

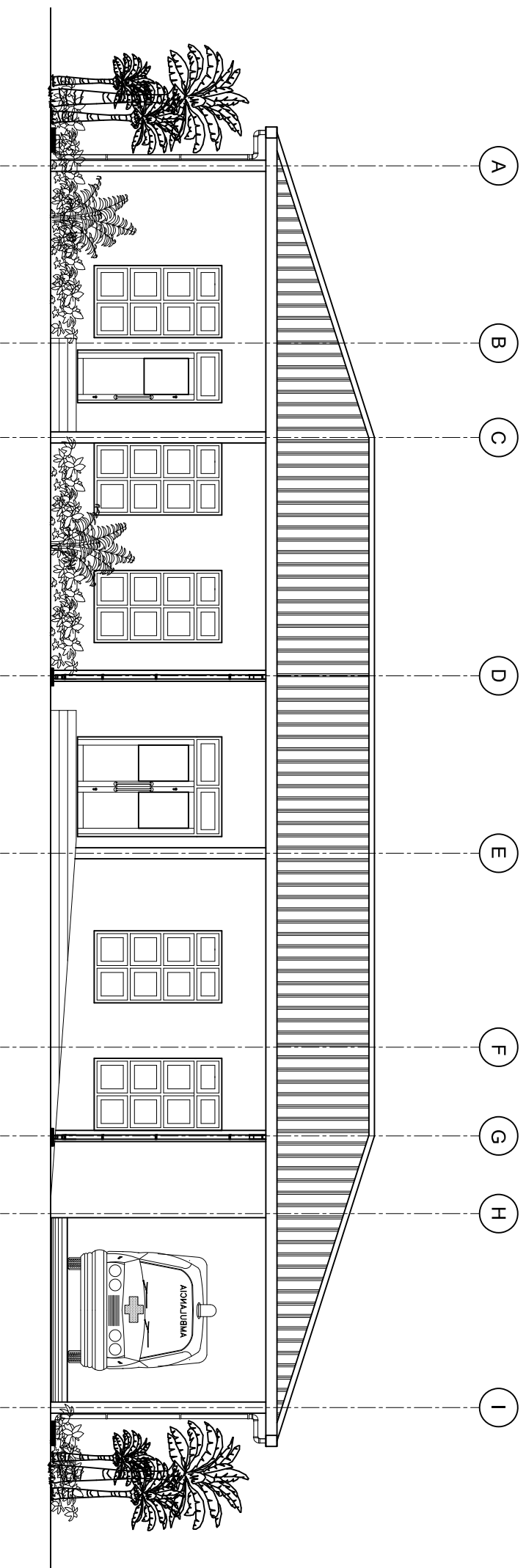
PAPER SIZE: A3



Infrastructure Development Unit,
Ministry of Health
Koshaneh Building
Sosun Magar
Tel: 332 8887, Fax: 3328889
Email: project@health.gov.mv

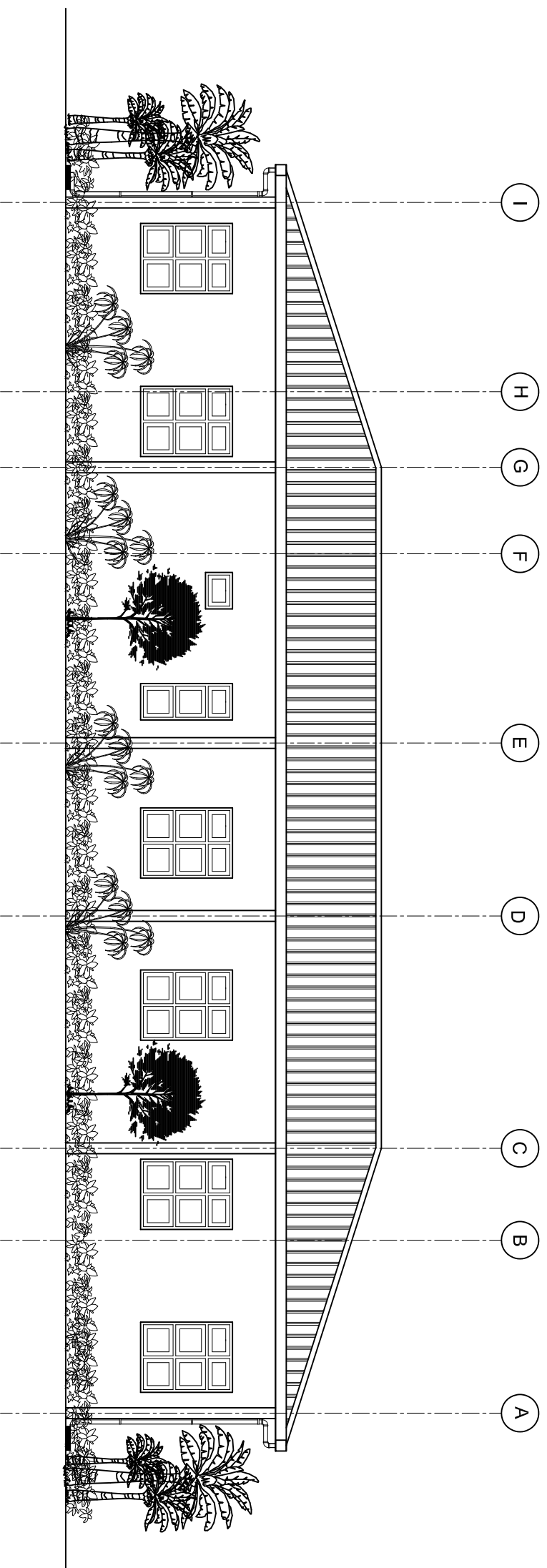
ELEVATION 'A'

SCALE: 1 : 100



ELEVATION 'B'

SCALE: 1 : 100



SHEET CONTENTS :

REVISION NOTES:

REVISED ON MAY 2022 AS PER
SITE VISIT ON 3 MAY 2022.

PROJECT:
CONSTRUCTION OF
OFFICE AND SERVICE
BLOCK

CLIENT:
MINISTRY OF HEALTH

LOCATION:
DIFFERENT ISLANDS

CONTENTS: AS GIVEN
PROJECT MANAGER:

DESIGNER: ARIZ

CIV/STR. ENGINEER: ISMAIL

SURVEYED BY: -

DRAWN BY: ARIZ

CHECKED BY:

DATE : APRIL 2021

SHEET NO. : /

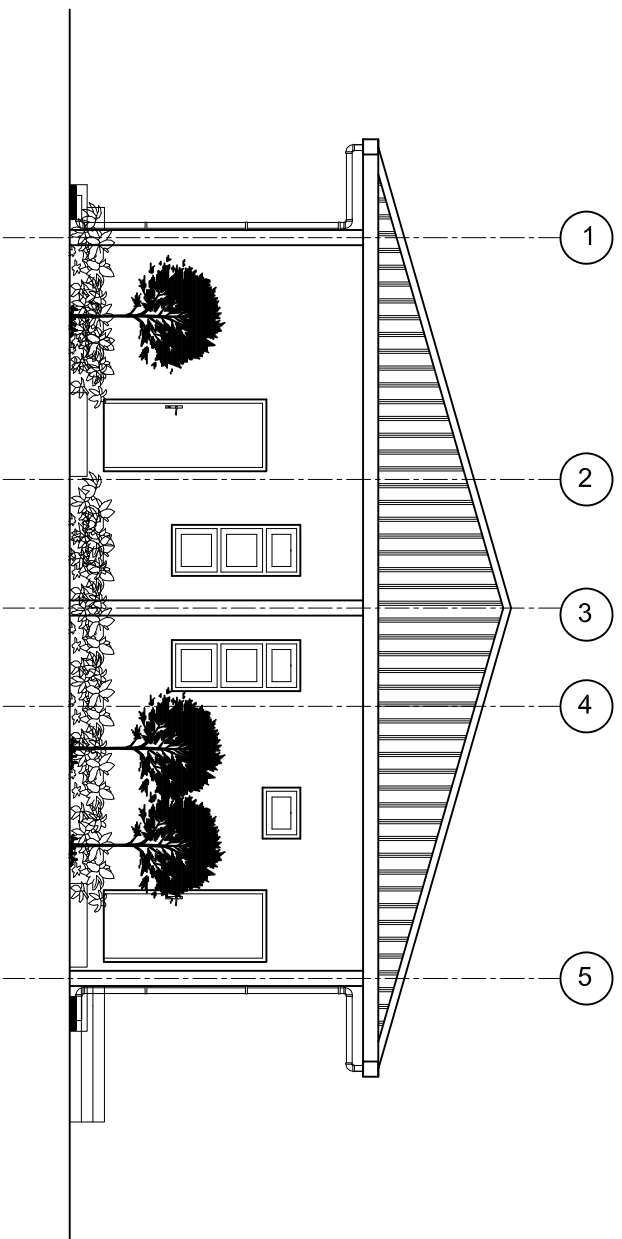
PAPER SIZE: A3



Infrastructure Development Unit,
Ministry of Health
Koshane Building
Sosun Magu'
Tel: 332 8887, Fax: 3328889
Email: project@health.gov.mv

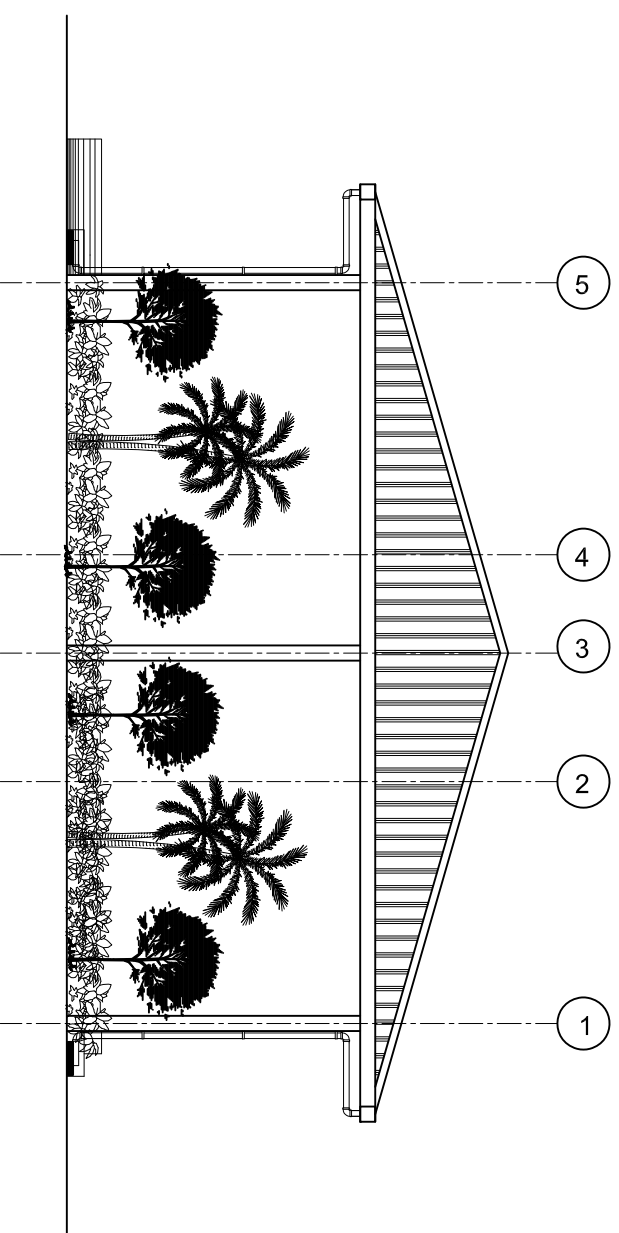
ELEVATION 'C'

SCALE: 1 : 100



ELEVATION 'D'

SCALE: 1 : 100



SHEET CONTENTS :

REVISION NOTES:
REVISED ON APRIL 2021.

PROJECT:
CONSTRUCTION OF
OFFICE AND SERVICE
BLOCK

CLIENT:
MINISTRY OF HEALTH

LOCATION:
DIFFERENT ISLANDS

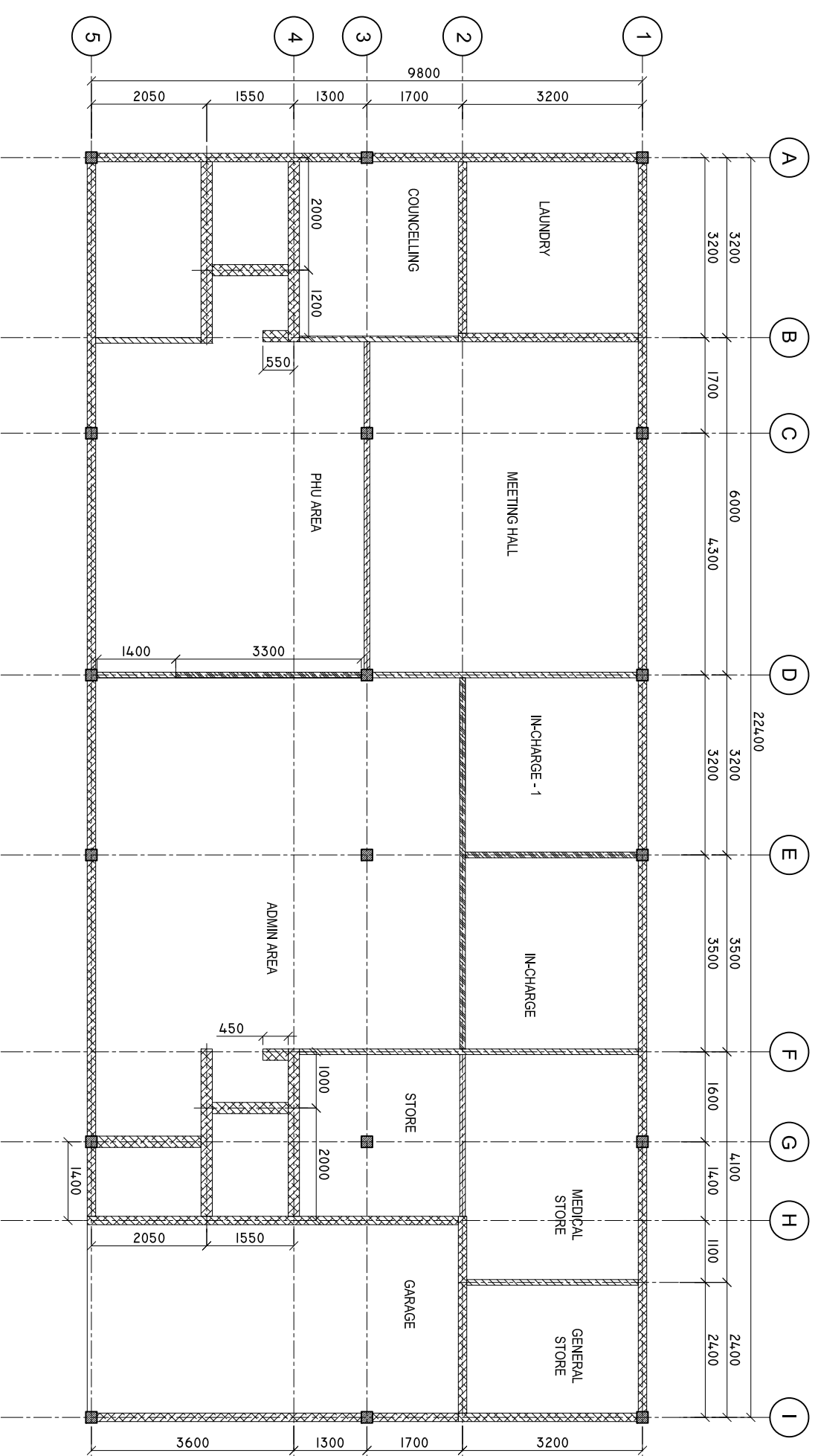
CONTENTS: AS GIVEN
PROJECT MANAGER:
DESIGNER: ARIZ
CIV/STR. ENGINEER: ISMAIL
SURVEYED BY: -
DRAWN BY: ARIZ
CHECKED BY:
DATE : APRIL 2021
SHEET NO. : /
PAPER SIZE: A3






Infrastructure Development Unit,
Ministry of Health
Koshaneh Building
Sosun Magu'
Tel: 332 8887, Fax: 3328889
Email: project@health.gov.mv

WALL DETAILS

SCALE: 1 : 100



-  MASONRY WALL (FULL HEIGHT)
-  PARTITION WALL (FULL HEIGHT)
-  GLASS PARTITION WALL (FULL HEIGHT)

SHEET CONTENTS :

REVISION NOTES:

REVISED ON MAY 2022 AS PER SITE VISIT ON 3 MAY 2022.

PROJECT:
CONSTRUCTION OF
OFFICE AND SERVICE
BLOCK

CLIENT:
MINISTRY OF HEALTH

LOCATION:
DIFFERENT ISLANDS

CONTENTS: AS GIVEN

PROJECT MANAGER:

DESIGNER: ARIZ

CIV/STR. ENGINEER: ISMAIL

SURVEYED BY: -

DRAWN BY: ARIZ

CHECKED BY:

DATE : APRIL 2021

SHEET NO. : /

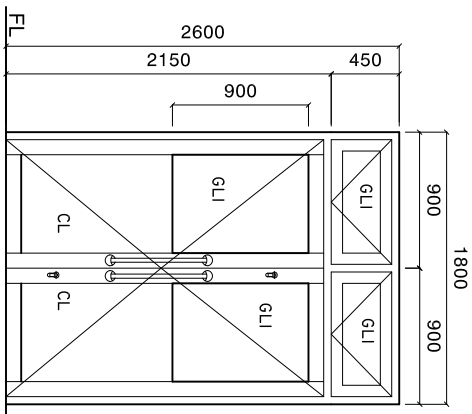
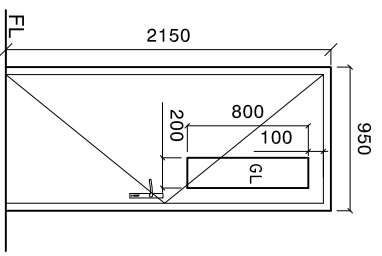
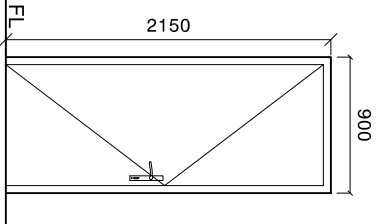
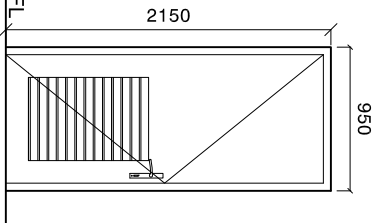
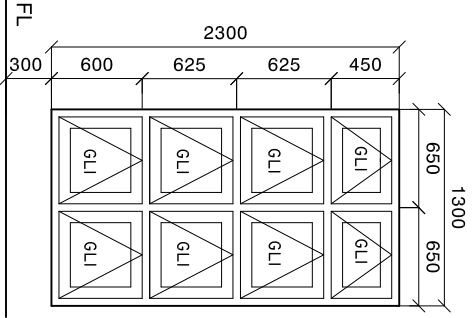
PAPER SIZE: A3

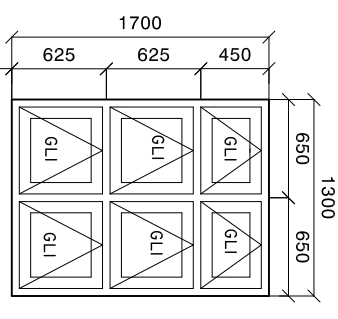
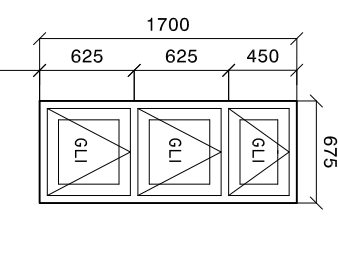
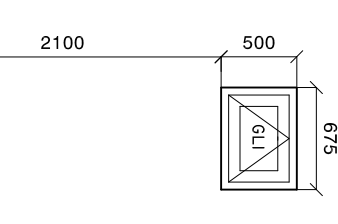
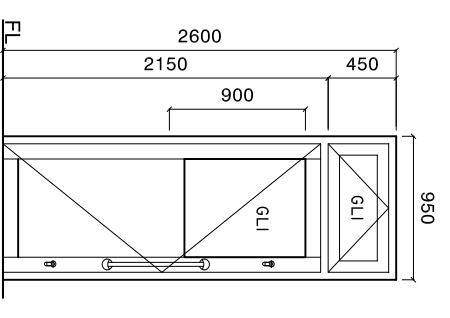


Infrastructure Development Unit,
Ministry of Health
Roshaneh Building
Sosun Magu
Tel: 332 8887, Fax: 3328889
Email: project@health.gov.mv

DOORS AND WINDOWS SCHEDULE

Scale 1:50

SYMBOL	D1	D2	D3	D4	W1
ELEVATION					
LOCATION	GROUND FLOOR	GROUND FLOOR	GROUND FLOOR	GROUND FLOOR	GROUND FLOOR
DESCRIPTION	40MM THICK TOP HUNG DOOR	50MM THICK OPENABLE TIMBER FRAMED DOOR	40MM THICK OPENABLE ALUMINIUM FRAMED DOOR	50MM THICK OPENABLE TIMBER FRAMED DOOR	ALUMINIUM FRAMED TOP HUNG WINDOW
FRAME	120MM ALUMINIUM FRAME	FRAME: 120MM TIMBER FRAME WITH BORDER.	120MM ALUMINIUM FRAME	FRAME: 120MM TIMBER FRAME WITH BORDER.	120MM ALUMINIUM FRAME
HARDWARE	80 MICRON POWDER COATED, BLACK SANDY GRAY	PANEL, TIMBER FRAME WITH 6MM PLYWOOD, ON BOTH SIDE	80 MICRON POWDER COATED, BLACK SANDY GRAY	PANEL, TIMBER FRAME WITH 6MM PLYWOOD, ON BOTH SIDE	80 MICRON POWDER COATED, BLACK SANDY GRAY
GLAZING	DOOR CLOSER HANDLE LOCK BUTT HINGE STOPPER HOLDER KICKER	DOOR CLOSER HANDLE LOCK BUTT HINGE STOPPER HOLDER KICKER	DOOR CLOSER HANDLE LOCK BUTT HINGE STOPPER HOLDER KICKER	DOOR CLOSER HANDLE LOCK BUTT HINGE STOPPER HOLDER KICKER	DOOR CLOSER HANDLE LOCK BUTT HINGE STOPPER HOLDER KICKER
NOTE	C-6MM ALL FIXED PANELS TO BE DOUBLE GLASSED ALL MEASUREMENTS TO BE CHECKED ON SITE	C-6MM ALL FIXED PANELS TO BE DOUBLE GLASSED ALL MEASUREMENTS TO BE CHECKED ON SITE	C-6MM ALL FIXED PANELS TO BE DOUBLE GLASSED ALL MEASUREMENTS TO BE CHECKED ON SITE	C-6MM ALL FIXED PANELS TO BE DOUBLE GLASSED ALL MEASUREMENTS TO BE CHECKED ON SITE	6MM THICK HEAT REFLECTIVE GLASS ALL MEASUREMENTS TO BE CHECKED ON SITE

SYMBOL	W2	W3	V1	D5
ELEVATION				
LOCATION	GROUND FLOOR	GROUND FLOOR	GROUND FLOOR	GROUND FLOOR
DESCRIPTION	ALUMINIUM FRAMED TOP HUNG WINDOW	ALUMINIUM FRAMED TOP HUNG WINDOW	ALUMINIUM FRAMED TOP HUNG WINDOW	40MM THICK OPENABLE ALUMINIUM FRAMED DOOR
FRAME	120MM ALUMINIUM FRAME	120MM ALUMINIUM FRAME	120MM ALUMINIUM FRAME	120MM ALUMINIUM FRAME
HARDWARE	80 MICRON POWDER COATED, BLACK SANDY GRAY	80 MICRON POWDER COATED, BLACK SANDY GRAY	80 MICRON POWDER COATED, BLACK SANDY GRAY	80 MICRON POWDER COATED, BLACK SANDY GRAY
GLAZING	6MM THICK HEAT REFLECTIVE GLASS	6MM THICK HEAT REFLECTIVE GLASS	6MM THICK HEAT REFLECTIVE GLASS	C-6MM ALL FIXED PANELS TO BE DOUBLE GLASSED ALL MEASUREMENTS TO BE CHECKED ON SITE
NOTE	ALL MEASUREMENTS TO BE CHECKED ON SITE	ALL MEASUREMENTS TO BE CHECKED ON SITE	ALL MEASUREMENTS TO BE CHECKED ON SITE	ALL MEASUREMENTS TO BE CHECKED ON SITE

NOTE:

PROVIDE RC LINTEL ABOVE ALL DOOR/WINDOW/VENTILATOR UNITS NOT FIXED TO BEAMS
AND PROVIDE RC SILL BEAMS UNDER ALL WINDOW UNITS
ALL TIMBER DOORS TO BE MADE OF TIMBER, PUTTY SMOOTHED AND FINISHED WITH ENAMEL PAINT AS SPECIFIED

ALL MEASUREMENTS TO BE CHECKED ON SITE BEFORE FABRICATION
GL = 6MM THICK CLEAR GLASS
GLI = 6MM THICK HEAT REFLECTIVE BLUE GLASS
FGI = 6MM THICK CLEAR GLASS

FOR GLASS PARTITION: ALUMINUM FRAME WITH 6MM THICK CLEAR GLASS
ALL THE ALUMINUM PROFILE MUST BE MINIMUM 2MM THICK.

SHEET CONTENTS :

REVISION NOTES:

REVISED ON MAY 2022 AS PER SITE VISIT ON 3 MAY 2022.

PROJECT:
CONSTRUCTION OF
OFFICE AND SERVICE
BLOCK

CLIENT:
MINISTRY OF HEALTH

LOCATION:
DIFFERENT ISLANDS

CONTENTS: AS GIVEN

PROJECT MANAGER:

DESIGNER: ARIZ

CIV/STR. ENGINEER: ISMAIL

SURVEYED BY: -

DRAWN BY: ARIZ

CHECKED BY:

DATE : APRIL 2021

SHEET NO. : /

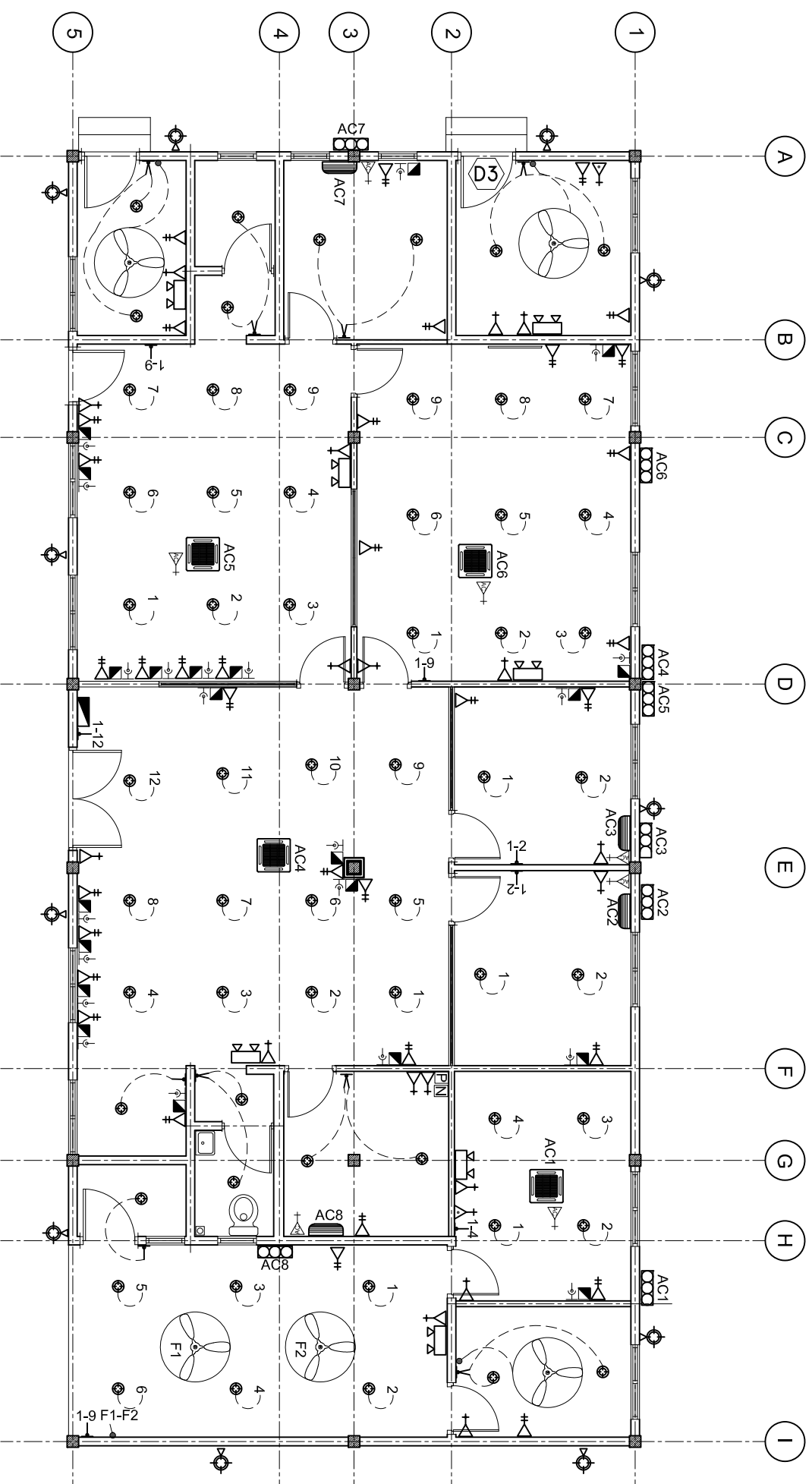
PAPER SIZE: A3



Infrastructure Development Unit,
Ministry of Health
Koshaneh Building
Sosun Magar
Tel: 332 8887, Fax: 3328889
Email: projects@health.gov.mv

ELECTRICAL LAYOUT

SCALE: 1 : 100



LEGEND

SYMBOL	DESCRIPTION
	LED BULB WITH 150MM DOWN LIGHT
	1 x 13 AMP SOCKET OUTLET (1600MM ABOVE FFL)
	2 x 13 AMP SOCKET OUTLET (600MM ABOVE FFL)
	1 x 15 AMP SOCKET OUTLET (600MM ABOVE FFL)
	1 x 15 AMP AC SOCKET OUTLET (300MM BLW, CEILING)
	TWO GANG SWITCH
	ONE WAY SWITCH
	EMERGENCY LIGHT
	DISTRIBUTION BOARD (WALL EMBEDDED)
	AC WALL MOUNT UNIT
	TELEPHONE SOCKET
	NETWORK SOCKET
	METER WITH OUT DOOR WATER PROOF BOX WITH TRANSPARENT FRONT DOOR

LEGEND

SYMBOL	DESCRIPTION
	1 x 13 AMP SOCKET OUTLET (200MM BELOW CEILING)
	WALL MOUNT FAN
	FAN REGULATOR
	SW BULB WITH COVERED
	CEILING FAN 1200MM DIA.
	AC INDOOR UNIT, CEILING CASSETTE TYPE
	OUTDOOR LIGHT
	AC OUTDOOR UNIT
	NETWORK SWITCH
	PABX

SHEET CONTENTS :

REVISION NOTES:

REVISED ON MAY 2022 AS PER SITE VISIT ON 3 MAY 2022.

PROJECT:
CONSTRUCTION OF
OFFICE AND SERVICE
BLOCK

CLIENT:
MINISTRY OF HEALTH

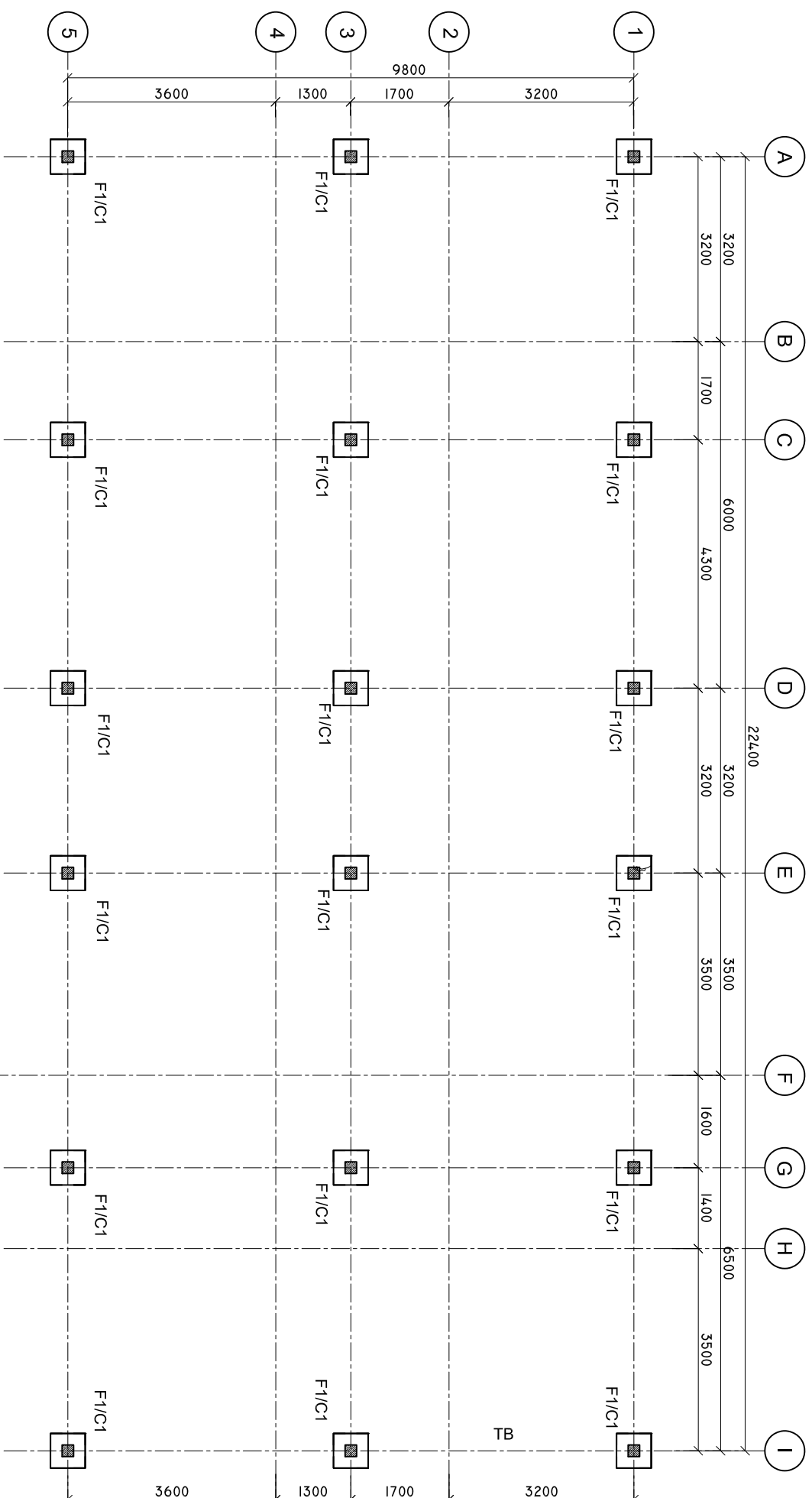
LOCATION:
DIFFERENT ISLANDS

CONTENTS: AS GIVEN
PROJECT MANAGER:
DESIGNER: ARIZ
CIV/STR. ENGINEER: ISM/AIL
SURVEYED BY: -
DRAWN BY: ARIZ
CHECKED BY:
DATE : APRIL 2021
SHEET NO. : /
PAPER SIZE: A3

Infrastructure Development Unit
Ministry of Health
Roshaneh Building
Sosun Magut
Tel: 332 8887, Fax: 3328889
Email: projects@health.gov.my

COLUMN AND FOOTING PLAN

SCALE: 1 : 100



SHEET CONTENTS :

REVISION NOTES:
REVISED ON APRIL 2021.

PROJECT:
CONSTRUCTION OF
OFFICE AND SERVICE
BLOCK

CLIENT:
MINISTRY OF HEALTH
LOCATION:
DIFFERENT ISLANDS

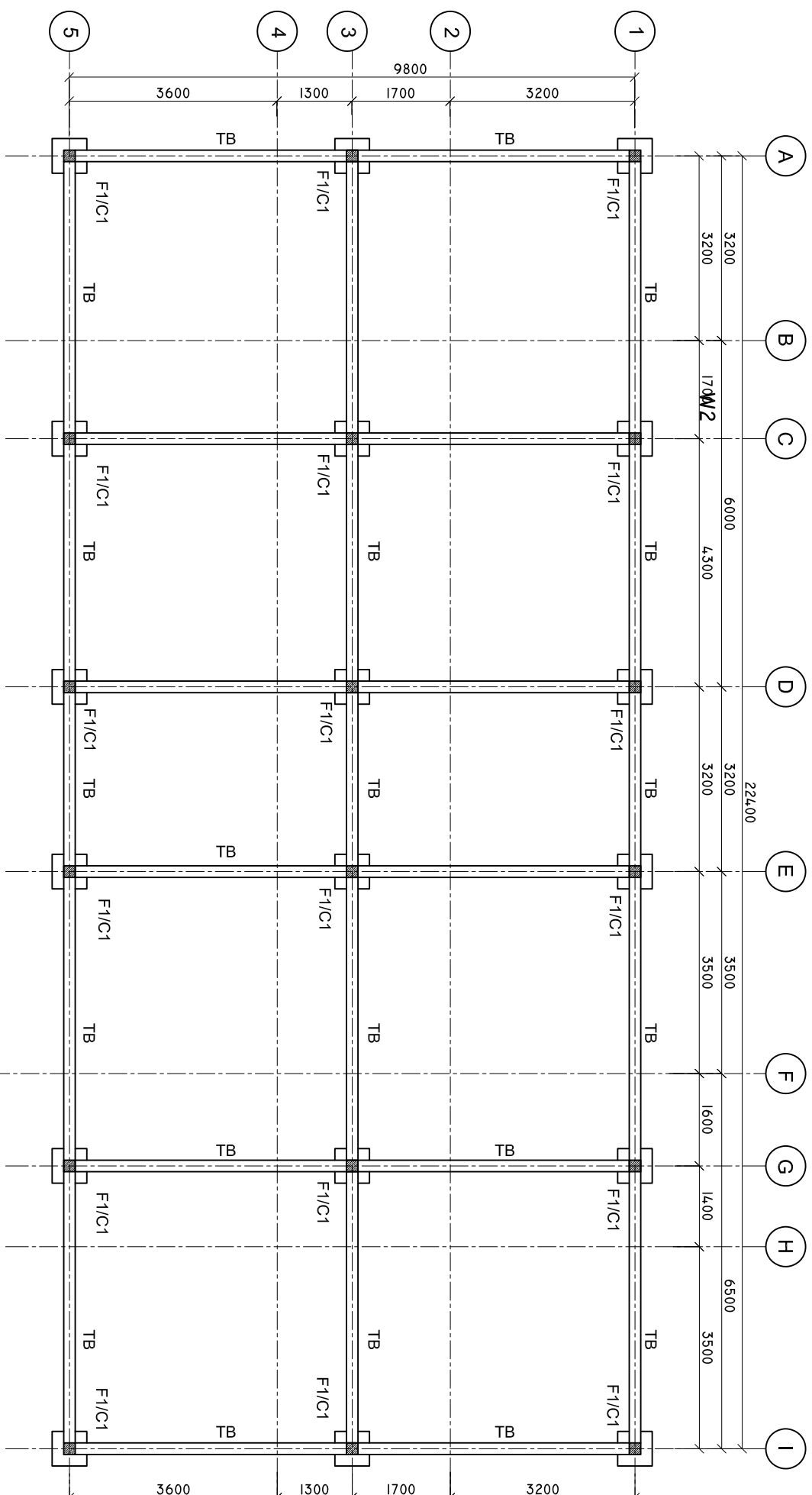
CONTENTS: AS GIVEN
PROJECT MANAGER:
DESIGNER: ARIZ
CIV/STR. ENGINEER: ISMAIL
SURVEYED BY: -
DRAWN BY: ARIZ
CHECKED BY:
DATE : APRIL 2021
SHEET NO. : /
PAPER SIZE: A3



Infrastructure Development Unit,
Ministry of Health
Roshaneh Building
Sosun Magar
Tel: 332 8887, Fax: 3328889
Email: project@health.gov.mv

TIE BEAM PLAN

SCALE: 1 : 100



SHEET CONTENTS :

REVISION NOTES:
REVISED ON APRIL 2021.

PROJECT:
CONSTRUCTION OF
OFFICE AND SERVICE
BLOCK

CLIENT:
MINISTRY OF HEALTH
LOCATION:
DIFFERENT ISLANDS

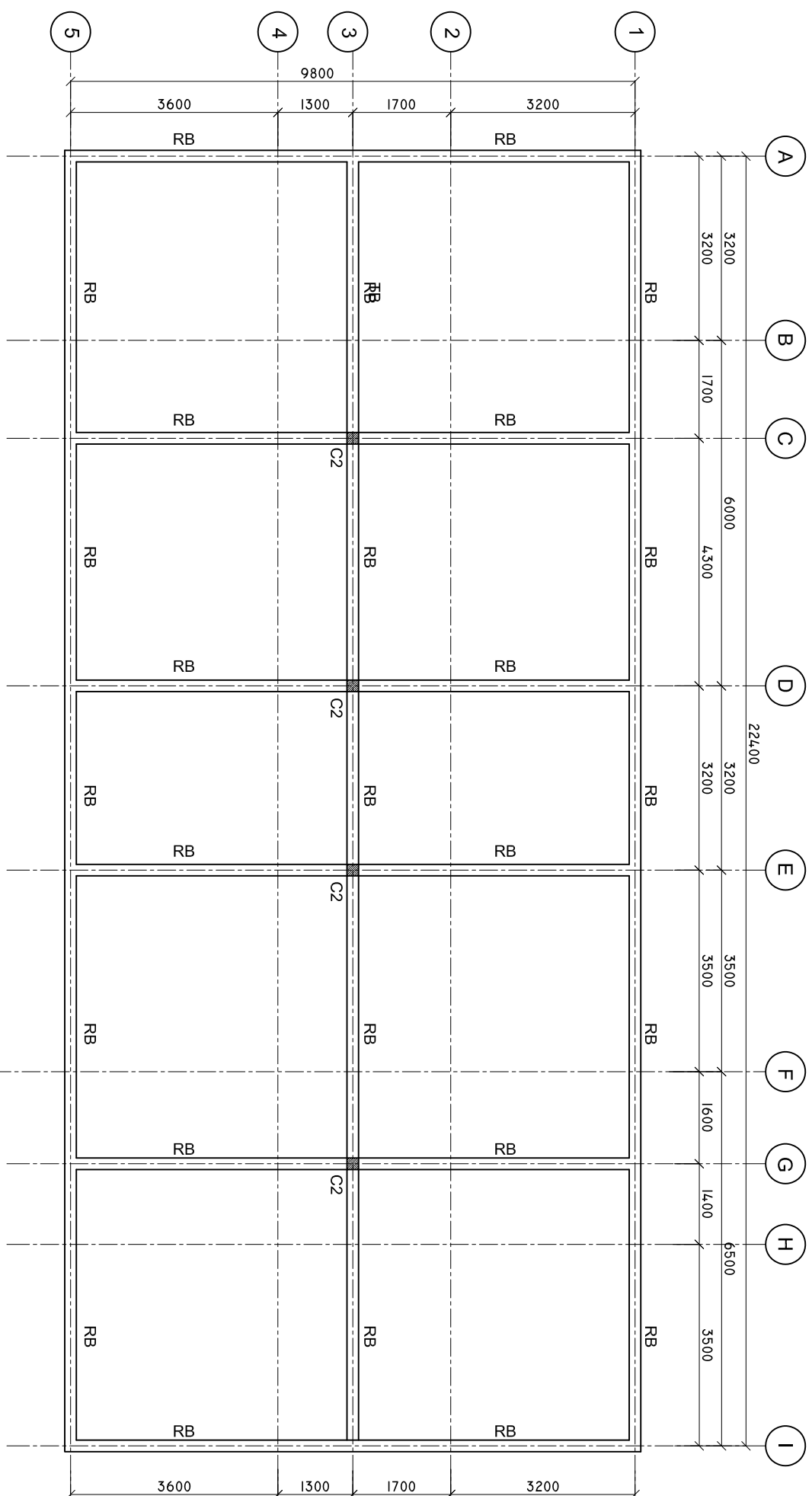
CONTENTS: AS GIVEN
PROJECT MANAGER:
DESIGNER: ARIZ
CIV/STR. ENGINEER: ISMAIL
SURVEYED BY: -
DRAWN BY: ARIZ
CHECKED BY:
DATE : APRIL 2021
SHEET NO. : /
PAPER SIZE: A3



Infrastructure Development Unit,
Ministry of Health
Roshaneh Building
Sosun Magar
Tel: 332 8887, Fax: 3328889
Email: project@health.gov.mv

ROOF BEAM PLAN

SCALE: 1 : 100



SHEET CONTENTS :

REVISION NOTES:
REVISED ON APRIL 2021.

PROJECT:
CONSTRUCTION OF
OFFICE AND SERVICE
BLOCK

CLIENT:
MINISTRY OF HEALTH

LOCATION:
DIFFERENT ISLANDS

CONTENTS: AS GIVEN
PROJECT MANAGER:

DESIGNER: ARIZ

CIV/STR. ENGINEER: ISMAIL

SURVEYED BY: -

DRAWN BY: ARIZ

CHECKED BY:

DATE : APRIL 2021

SHEET NO. : /

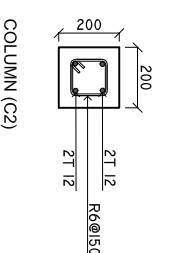
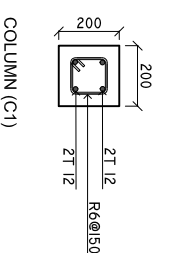
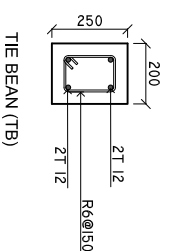
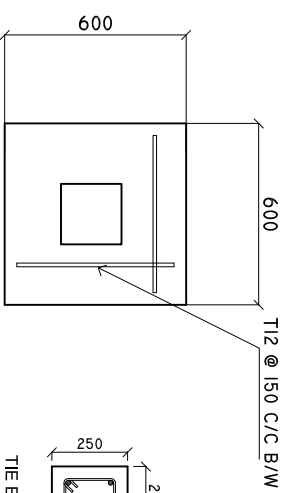
PAPER SIZE: A3



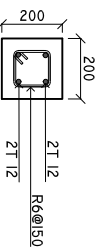
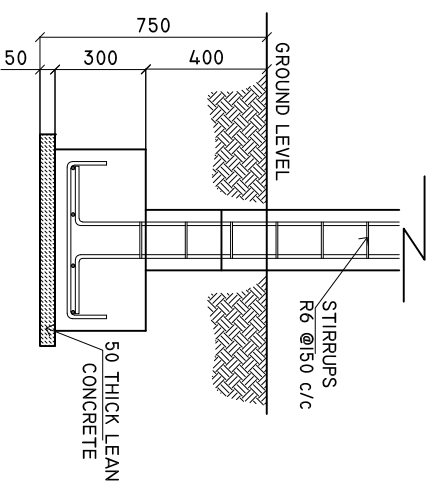
Infrastructure Development Unit,
Ministry of Health
Koshaneh Building
Sosun Magar
Tel: 332 8887, Fax: 3328889
Email: project@health.gov.mv

DETAILS R/C

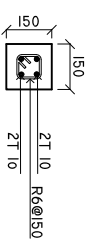
SCALE: 1 : 25



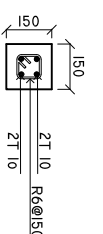
F1



ROOF BEAM (RB)



LINTEL BEAM



SILL BEAM

MINIMUM 50MM COVER BELOW GROUND LEVEL	ALL BAR BENDING & OVERLAPS AS PER ACTUAL BS STANDARD.
MINIMUM 30MM COVER ABOVE GROUND LEVEL	

NOTE:
LINTEL BEAMS TO BE LAID ABOVE AND BELOW ALL WINDOWS AND ALL DOORS.

SHEET CONTENTS :

REVISION NOTES:

REVISED ON APRIL 2021.

PROJECT:

CONSTRUCTION OF OFFICE AND SERVICE BLOCK

CLIENT:

MINISTRY OF HEALTH

LOCATION:

DIFFERENT ISLANDS

CONTENTS: AS GIVEN

PROJECT MANAGER:

DESIGNER: ARIZ

CIV/STR. ENGINEER: ISMAIL

SURVEYED BY: -

DRAWN BY: ARIZ

CHECKED BY:

DATE : APRIL 2021

SHEET NO. : /

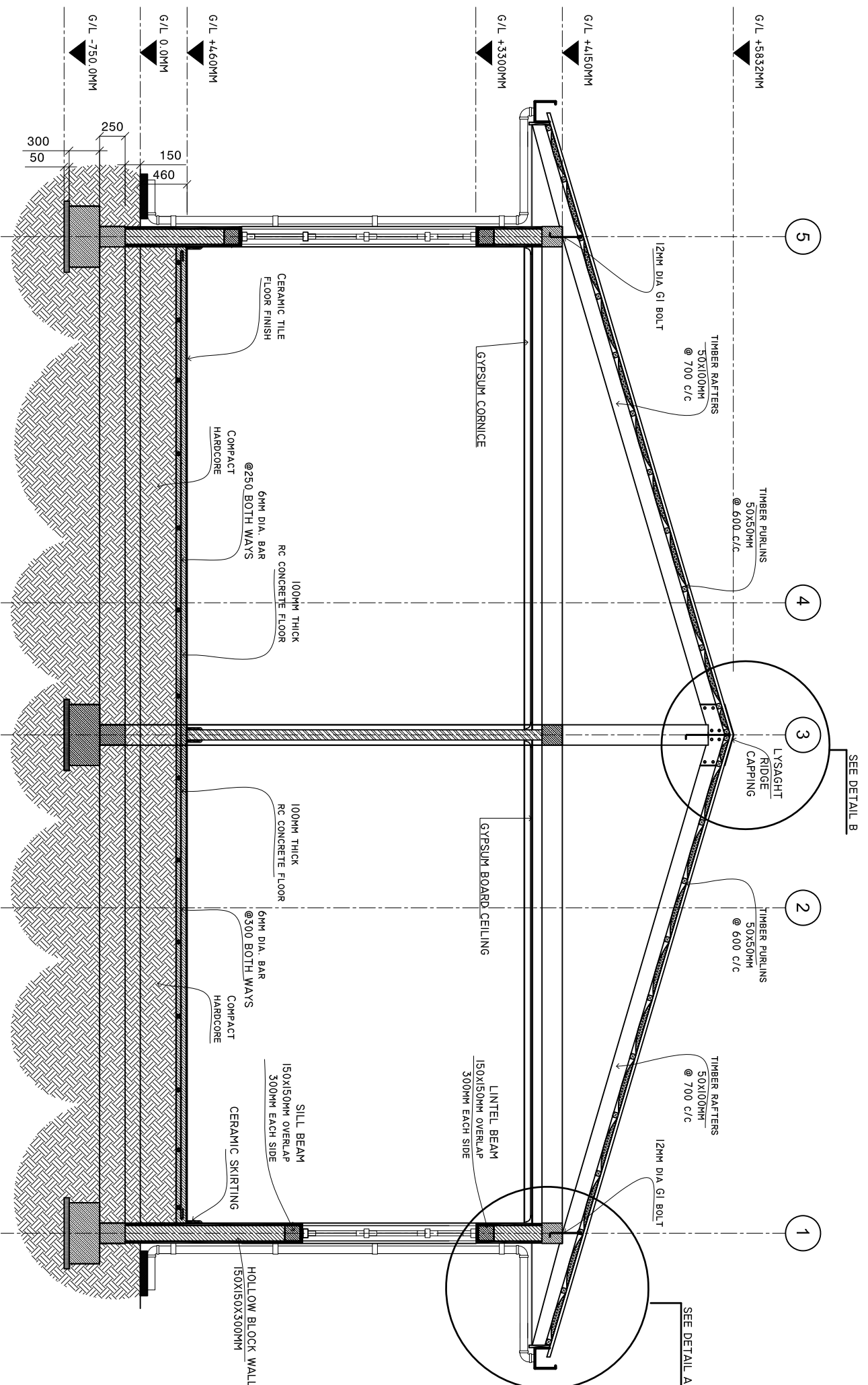
PAPER SIZE: A3



Infrastructure Development Unit,
Ministry of Health
Koshaneh Building
Sosun Magar
Tel: 332 8887, Fax: 3328889
Email: project@health.gov.mv

CROSS SECTION X-X

SCALE: 1 : 50



SHEET CONTENTS :

REVISION NOTES:

REVISED ON APRIL 2021.

PROJECT:
CONSTRUCTION OF
OFFICE AND SERVICE
BLOCK

CLIENT:
MINISTRY OF HEALTH

LOCATION:
DIFFERENT ISLANDS

CONTENTS: AS GIVEN
PROJECT MANAGER:

DESIGNER: ARIZ

CIV/STR. ENGINEER: ISMAIL

SURVEYED BY: -

DRAWN BY: ARIZ

CHECKED BY:

DATE : APRIL 2021

SHEET NO. : /

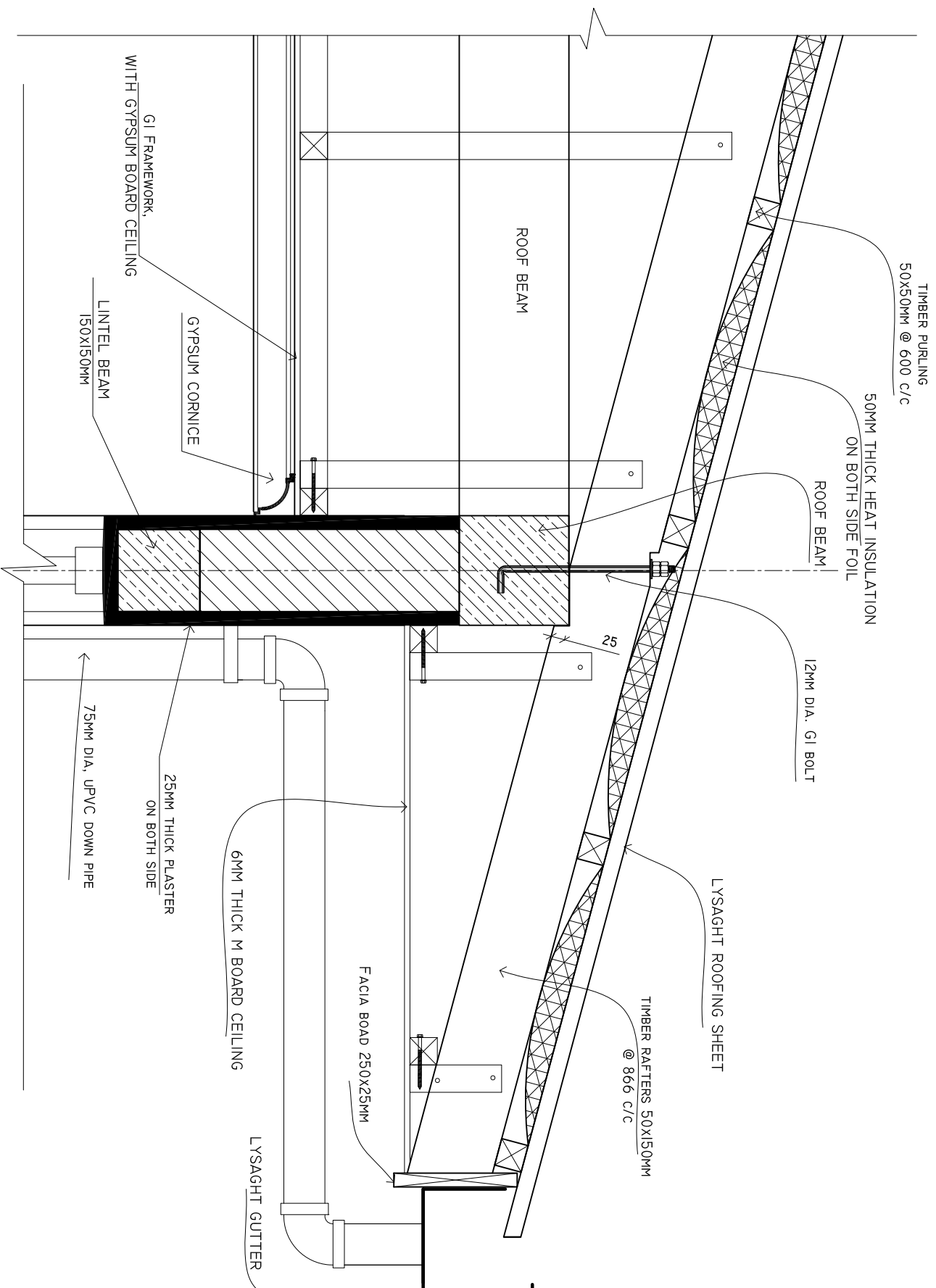
PAPER SIZE: A3



Infrastructure Development Unit,
Ministry of Health
Roshaneh Building
Sosun Magar
Tel: 332 8887, Fax: 3328889
Email: project@health.gov.mv

DETAIL A

SCALE: 1 : 10



SHEET CONTENTS :

REVISION NOTES:
REVISED ON APRIL 2021.

PROJECT:
CONSTRUCTION OF
OFFICE AND SERVICE
BLOCK

CLIENT:
MINISTRY OF HEALTH
LOCATION:
DIFFERENT ISLANDS

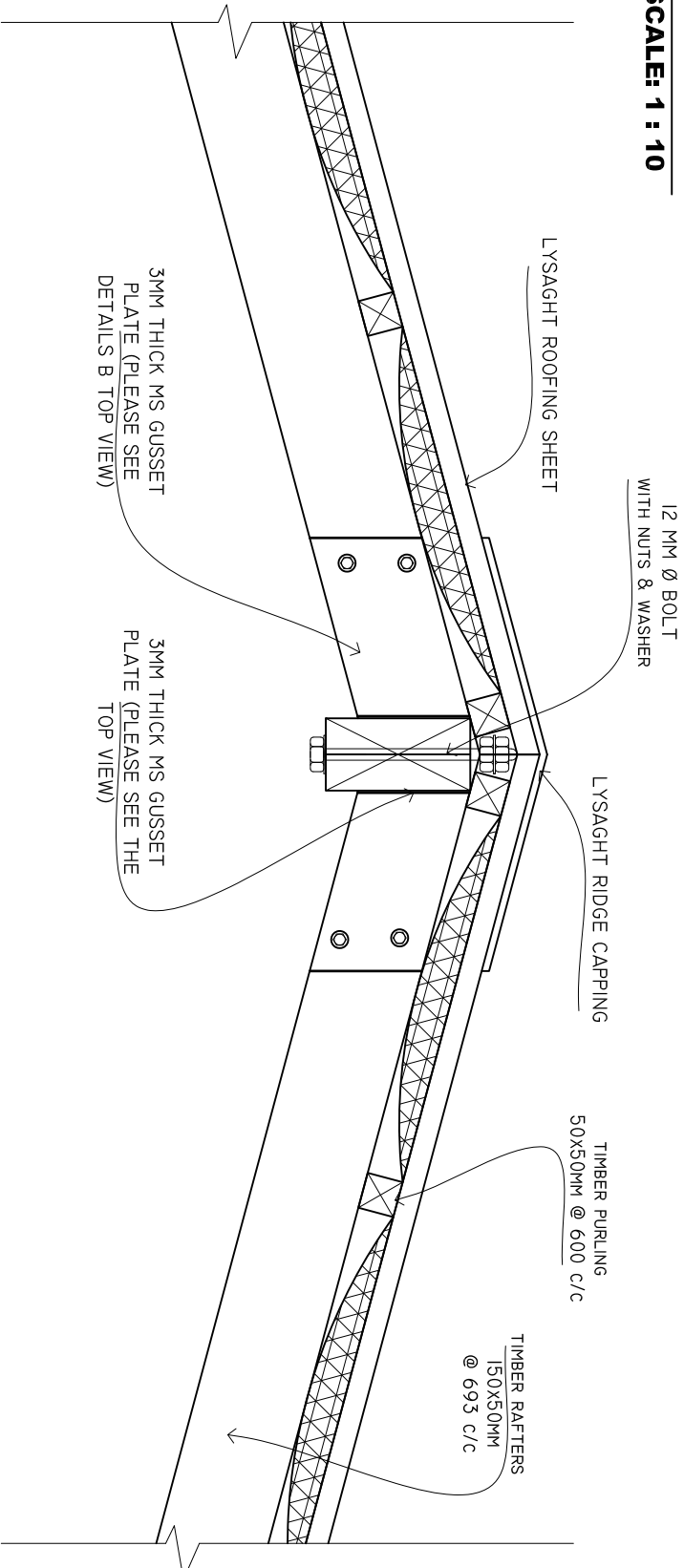
CONTENTS: AS GIVEN
PROJECT MANAGER:
DESIGNER: ARIZ
CIV/STR. ENGINEER: ISMAIL
SURVEYED BY: -
DRAWN BY: ARIZ
CHECKED BY:
DATE : APRIL 2021
SHEET NO. : /
PAPER SIZE: A3



Infrastructure Development Unit,
Ministry of Health
Koshane Building
Soosun Magar
Tel: 332 8887, Fax: 3328889
Email: projects@health.gov.mv

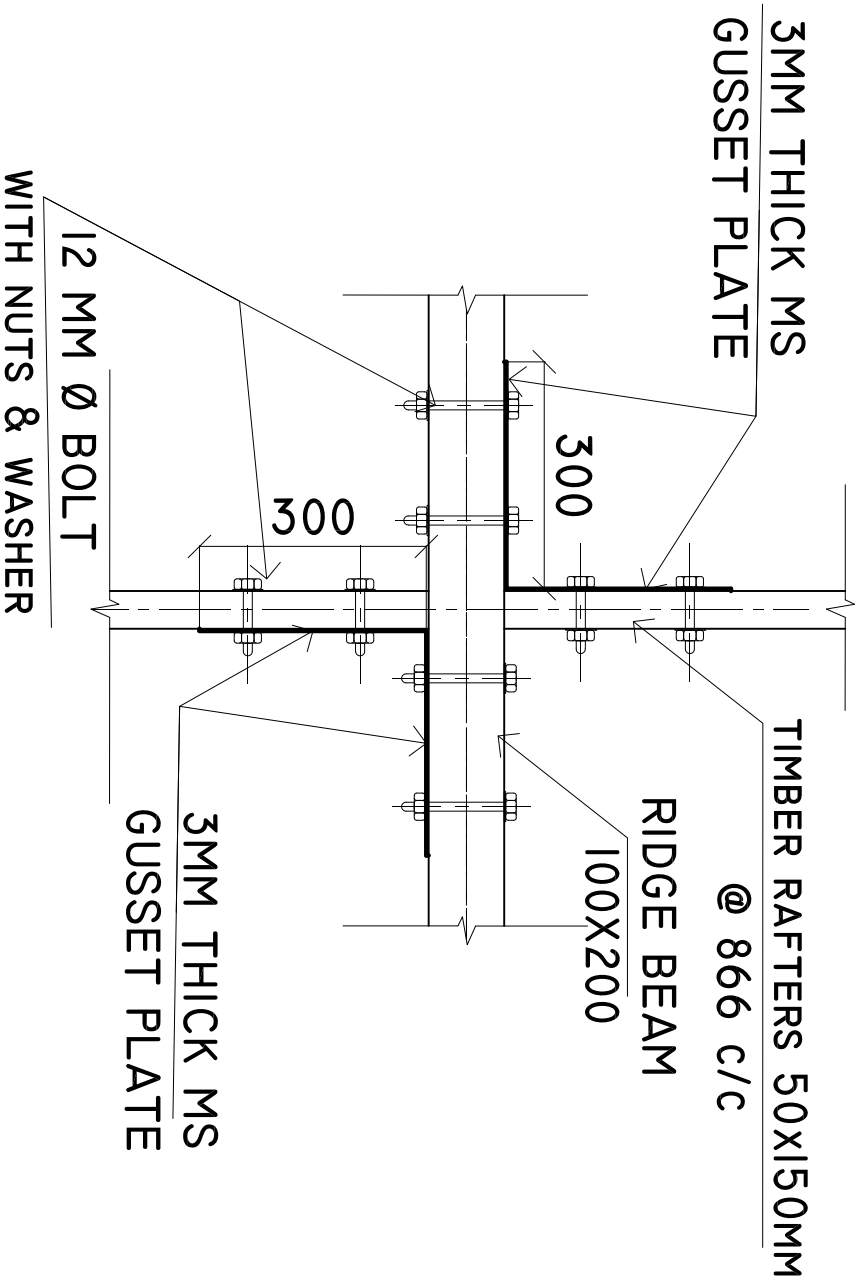
DETAIL B

SCALE: 1 : 10



DETAILS B (TOP VIEW)

SCALE: 1 : 10



SHEET CONTENTS :

REVISION NOTES:

REVISED ON MAY 2022 AS PER SITE VISIT ON 3 MAY 2022.

PROJECT:

CONSTRUCTION OF OFFICE AND SERVICE BLOCK

CLIENT:

MINISTRY OF HEALTH

LOCATION:

DIFFERENT ISLANDS

CONTENTS: AS GIVEN

PROJECT MANAGER:

DESIGNER: ARIZ

CIV/STR. ENGINEER: ISMAIL

SURVEYED BY: -

DRAWN BY: ARIZ

CHECKED BY:

DATE : APRIL 2021

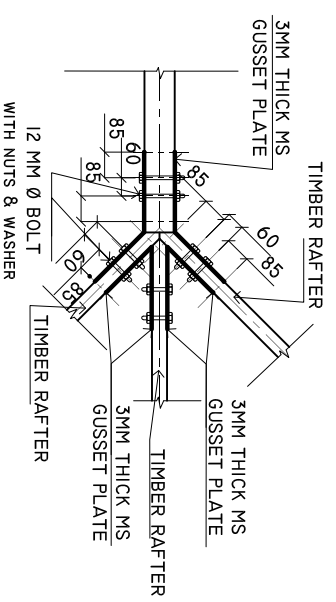
SHEET NO. : /

PAPER SIZE: A3

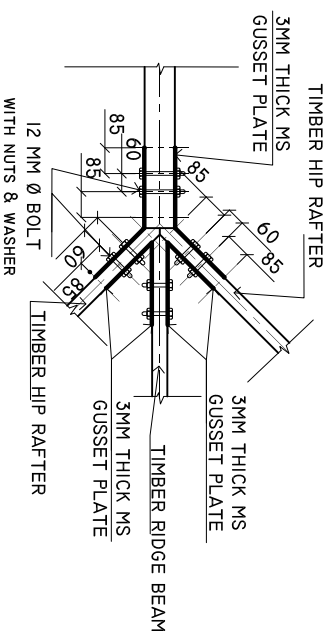


Infrastructure Development Unit,
Ministry of Health
Koshane Building
Sosun Magu
Tel: 332 8887, Fax: 3328889
Email: project@health.gov.mv

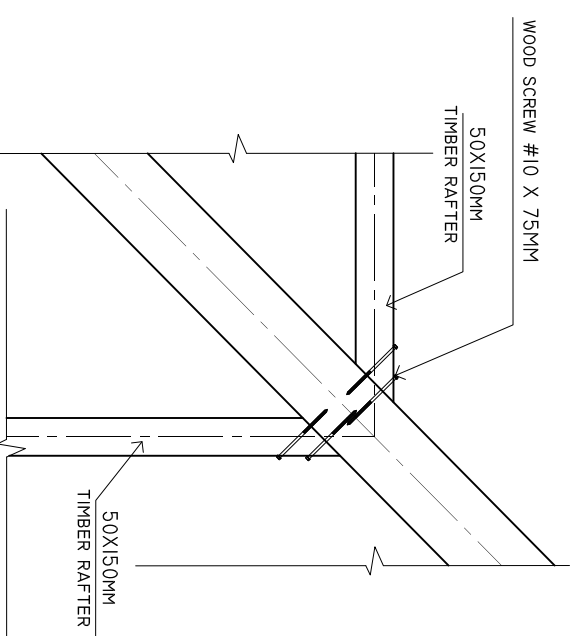
DETAILS A1
SCALE: 1 : 25



DETAILS A2
SCALE: 1 : 25



HIP RAFTER CONNECTION DETAIL
SCALE: 1 : 10



SHEET CONTENTS :

REVISION NOTES:

REVISED ON APRIL 2021.

PROJECT:
CONSTRUCTION OF
OFFICE AND SERVICE
BLOCK

CLIENT:
MINISTRY OF HEALTH

LOCATION:
DIFFERENT ISLANDS

CONTENTS: AS GIVEN

PROJECT MANAGER:

DESIGNER: ARIZ

CIV/STR. ENGINEER: ISMAIL

SURVEYED BY: -

DRAWN BY: ARIZ

CHECKED BY:

DATE : APRIL 2021

SHEET NO. : /

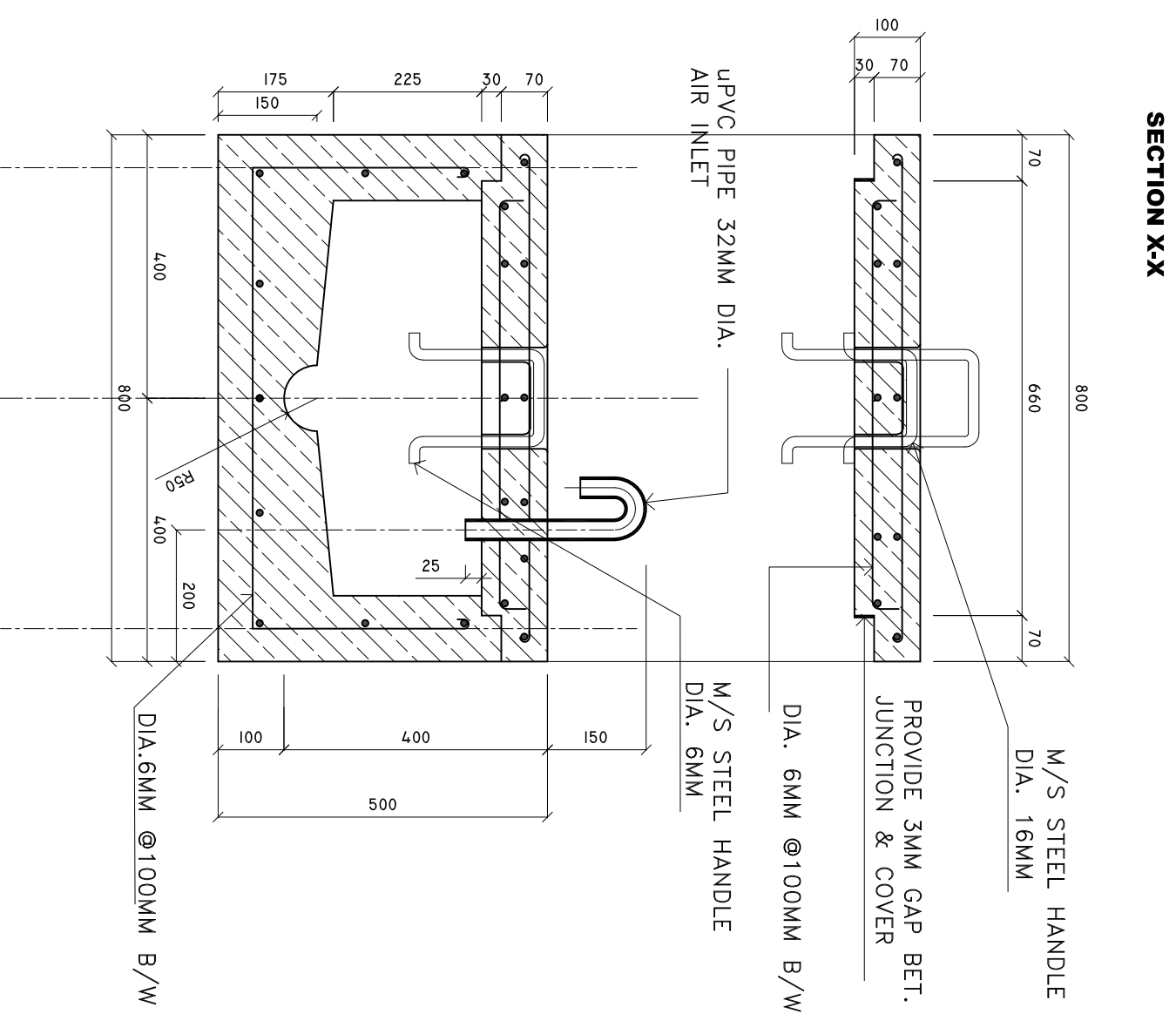
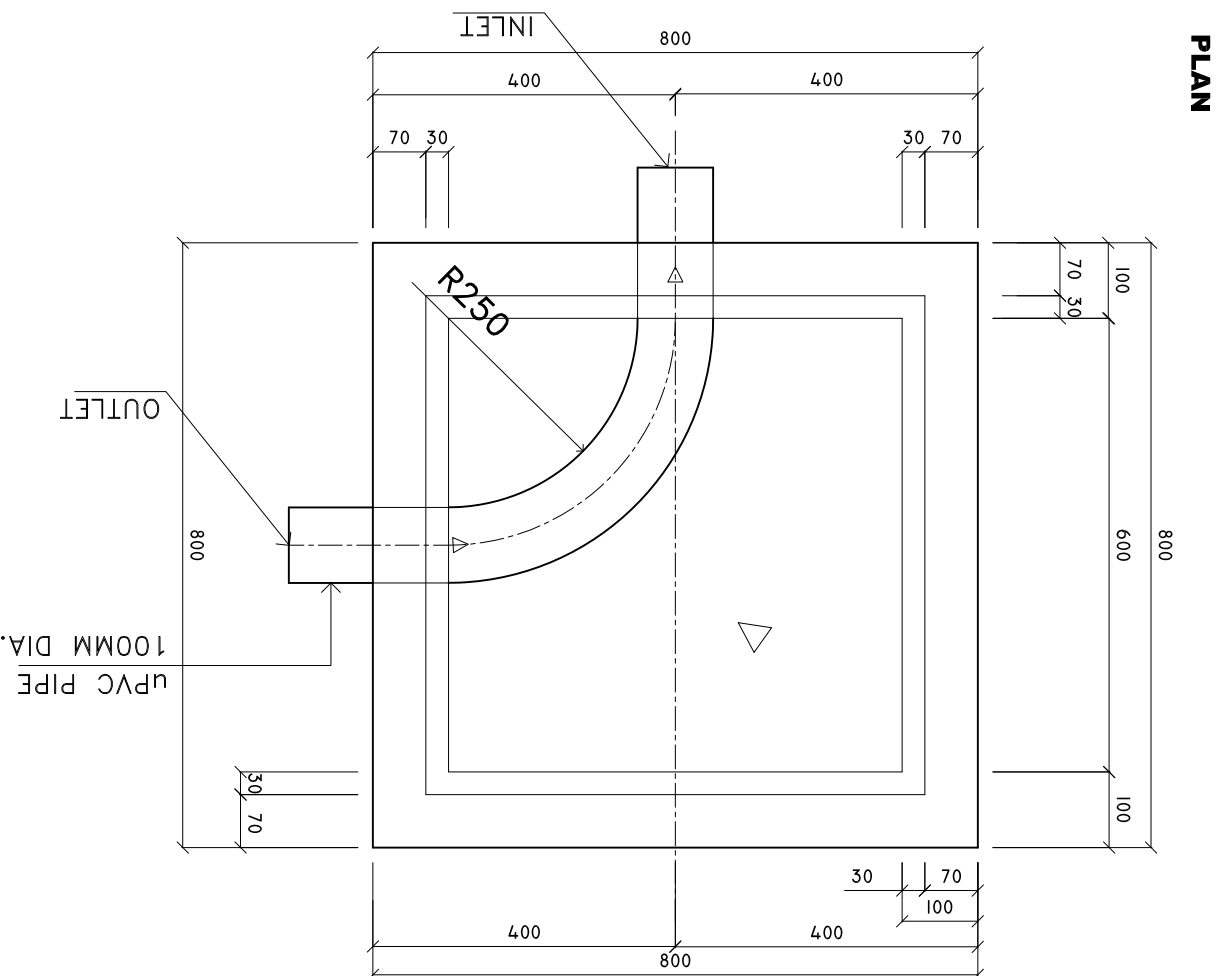
PAPER SIZE: A3



Infrastructure Development Unit,
Ministry of Health
Koshane Building
Soan Magu
Tel: 332 8887, Fax: 3328889
Email: projects@health.gov.mv

INSPECTION CHAMBER DETAILS FROM TOILET

SCALE : 1 : 10




SHEET CONTENTS :

REVISION NOTES:
REVISED ON APRIL 2021.

PROJECT:
CONSTRUCTION OF
OFFICE AND SERVICE
BLOCK

CLIENT:
MINISTRY OF HEALTH

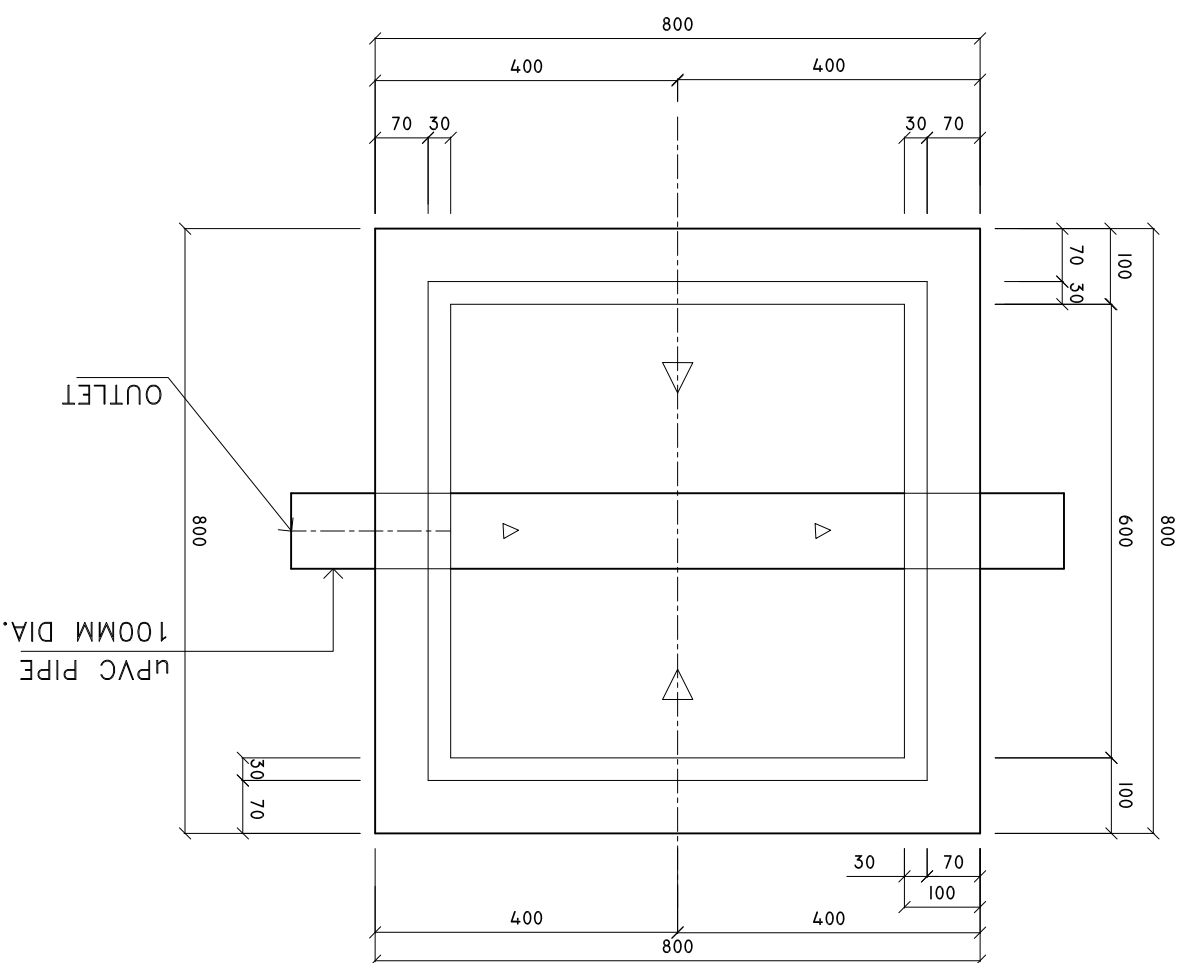
LOCATION:
DIFFERENT ISLANDS
CONTENTS: AS GIVEN
PROJECT MANAGER:
DESIGNER: ARIZ
CIV/STR. ENGINEER: ISMAIL
SURVEYED BY: -
DRAWN BY: ARIZ
CHECKED BY:
DATE : APRIL 2021
SHEET NO. : /
PAPER SIZE: A3


Infrastructure Development Unit
 Ministry of Health
 Roshaneh Building
 Soum Magar
 Doha, Qatar
 Tel: 332 8887, Fax: 3328889
 Email: project@health.gov.qa

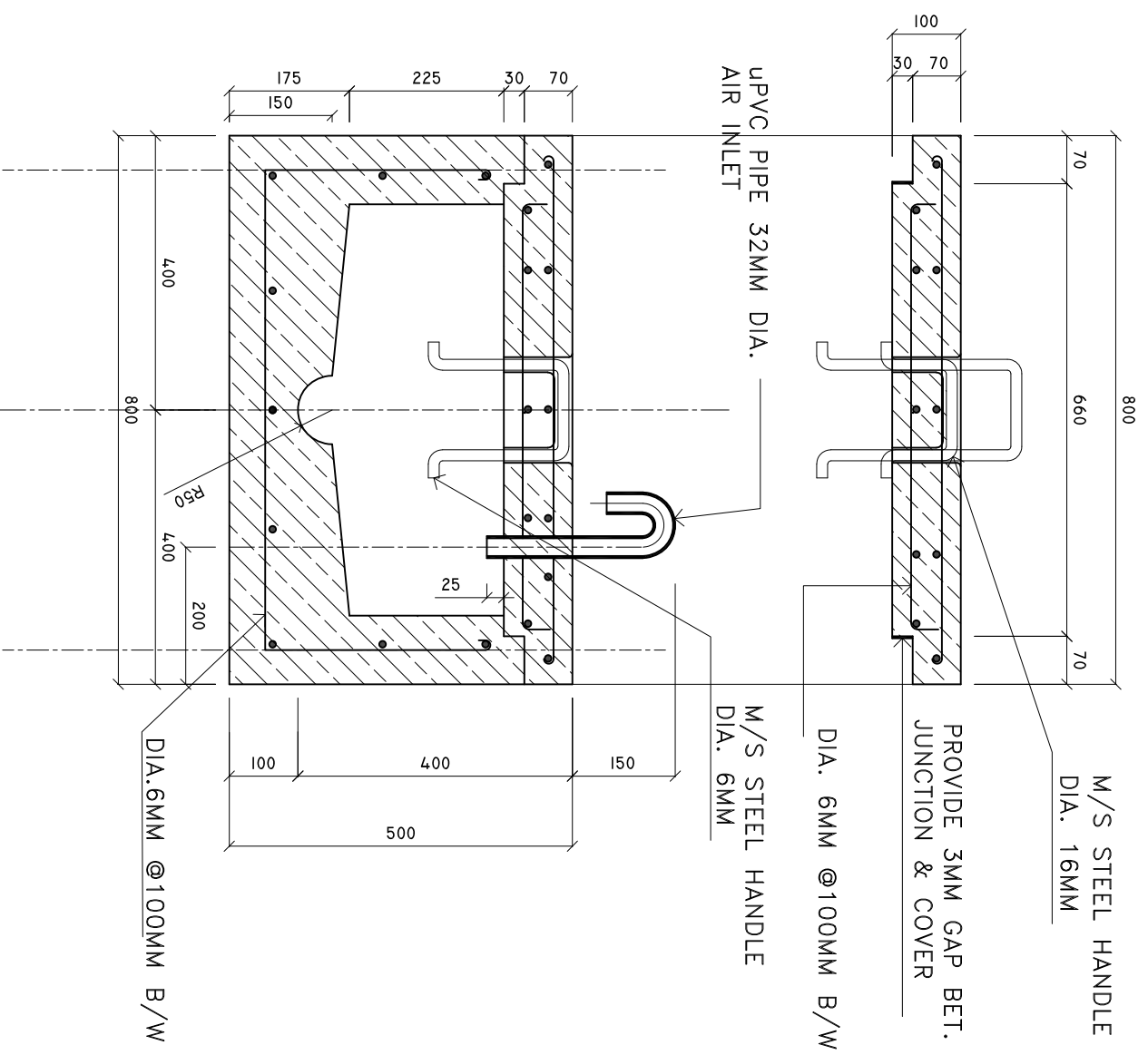
INSPECTION CHAMBER DETAILS FROM TOILET

SCALE : 1 : 10

PLAN



SECTION X-X



SHEET CONTENTS :

REVISION NOTES:
REVISED ON APRIL 2021.

PROJECT:
CONSTRUCTION OF
OFFICE AND SERVICE
BLOCK

CLIENT:
MINISTRY OF HEALTH

LOCATION:
DIFFERENT ISLANDS

CONTENTS: AS GIVEN

PROJECT MANAGER:

DESIGNER: ARIZ

CIV/STR. ENGINEER: ISMAIL

SURVEYED BY: -

DRAWN BY: ARIZ

CHECKED BY:

DATE : APRIL 2021

SHEET NO. : /

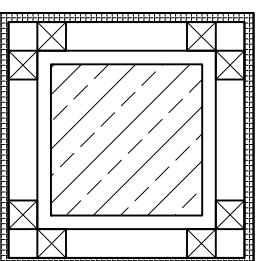
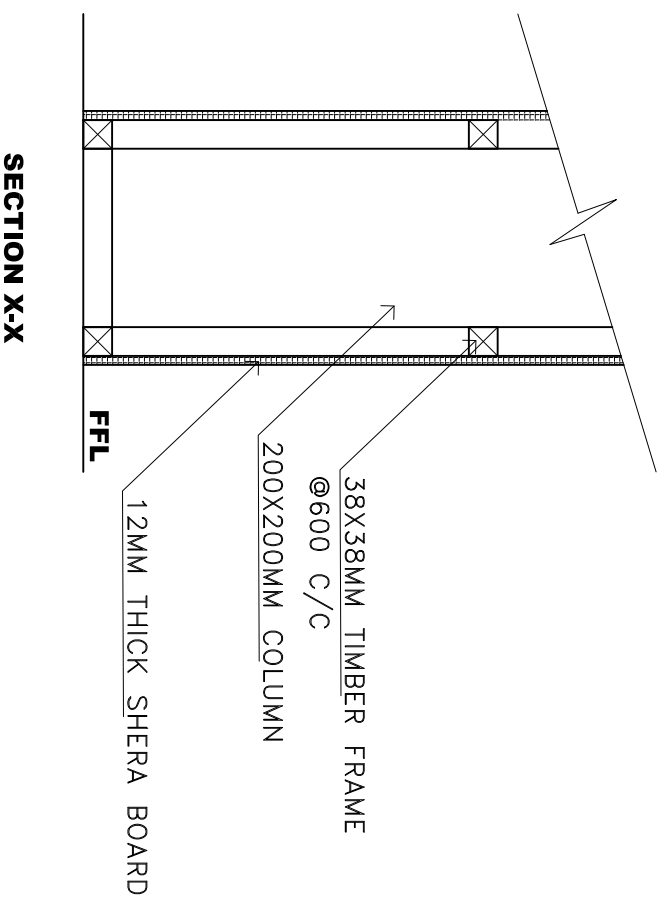
PAPER SIZE: A3



Infrastructure Development Unit,
Ministry of Health,
Roshanee Building,
Soosun Magu,
Tel: 332 8887, Fax: 3328889
Email: projects@health.gov.mv

COLUMN CASING

SCALE : 1 : 10



PLAN

NOTE: TIMBER FRAMING MEMBERS = 38X38MM @ 600MM c/c BW
TIMBER FRAMES AROUND THE COLUMNS SHALL BE FIXED TO
CHS USING MACHINE THREADED SELF TAPPING SCREWS

SHEET CONTENTS :

REVISION NOTES:
REVISED ON APRIL 2021.

PROJECT:
CONSTRUCTION OF
OFFICE AND SERVICE
BLOCK

CLIENT:
MINISTRY OF HEALTH

LOCATION:
DIFFERENT ISLANDS

CONTENTS: AS GIVEN
PROJECT MANAGER:
DESIGNER: ARIZ
CIV/STR. ENGINEER: ISMAIL
SURVEYED BY: -
DRAWN BY: ARIZ
CHECKED BY:
DATE : APRIL 2021
SHEET NO. : /
PAPER SIZE: A3



Infrastructure Development Unit,
Ministry of Health
Koshane Building
Soan Magu
Tel: 332 8887, Fax: 3328889
Email: project@health.gov.mv

