

Approved:


PROJECT: AS GIVEN

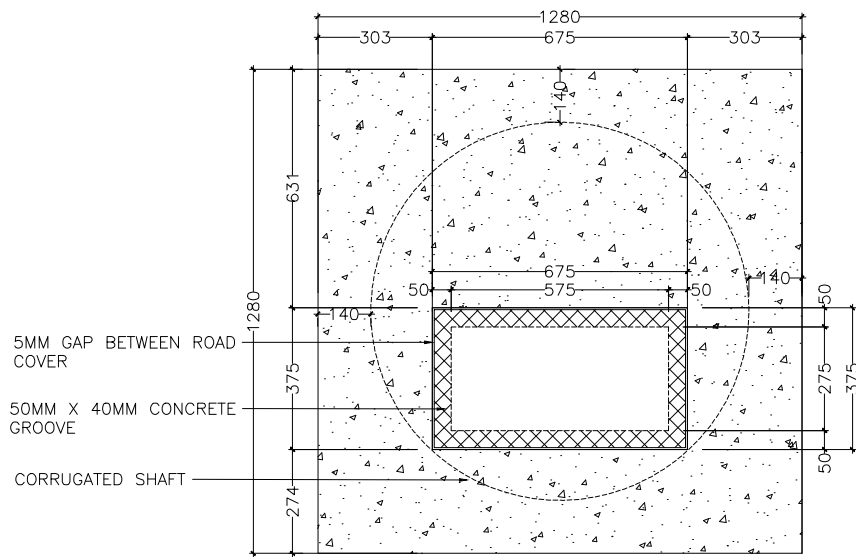
CLIENT:
 MINISTRY OF NATIONAL PLANNING & INFRASTRUCTURE
 AMEENEE MAGU,
 MALE'
 REPUBLIC OF MALDIVES

CONTRACTOR:
 ROAD DEVELOPMENT CORPORATION LTD.
 ORCHID MAGU,
 MAAFANNU, MALE'
 REPUBLIC OF MALDIVES

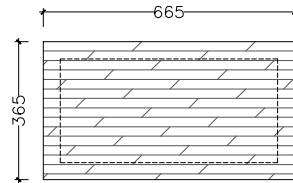
DRAWING TITLE:
 CATCH PIT DETAILS



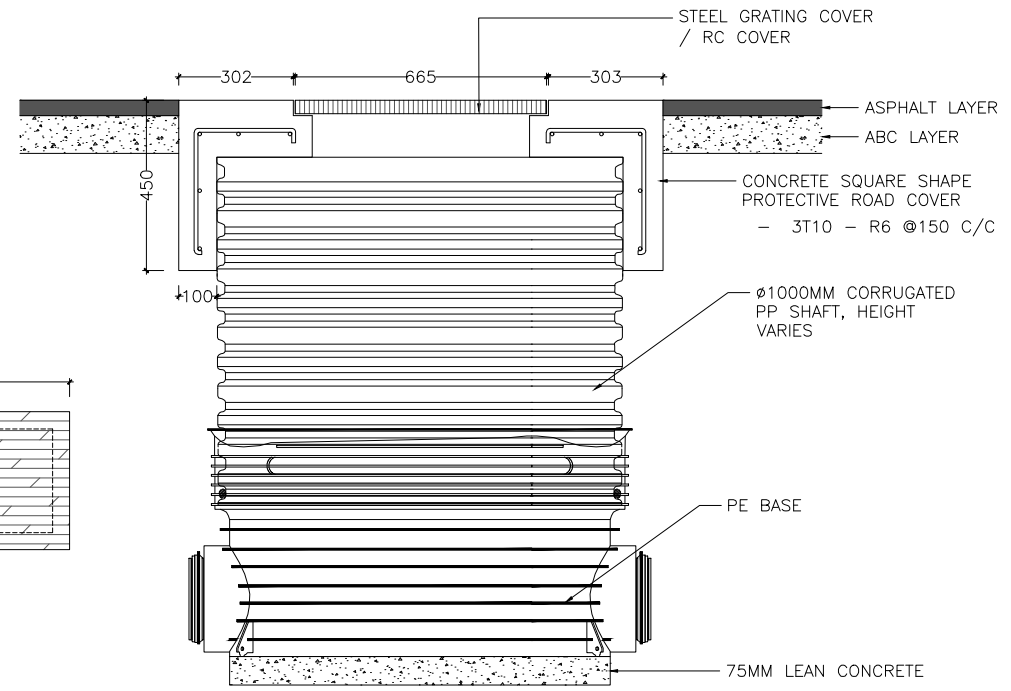
DRAWN BY: ISMAIL SHIYAZ
APPROVED BY: MAZIN ABDUL LATEEF
PROJECT NO: GAH-RC-2020-02
DRAWING NO:
SCALE: 1:20
DATE: APRIL 2022



TOP VIEW



COVER



TYPICAL 100MM CHAMBER

Approved:

PROJECT: AS GIVEN

CLIENT:
 MINISTRY OF NATIONAL PLANNING & INFRASTRUCTURE
 AMEENEE MAGU,
 MALE'
 REPUBLIC OF MALDIVES

CONTRACTOR:
 ROAD DEVELOPMENT CORPORATION LTD.
 ORCHID MAGU,
 MAAFANNU, MALE'
 REPUBLIC OF MALDIVES

DRAWING TITLE:
 CATCH PIT DETAILS



DRAWN BY: ISMAIL SHIYAZ
 APPROVED BY: MAZIN ABDUL LATEEF
 PROJECT NO: GAH-RC-2020-02
 DRAWING NO:
 SCALE: 1:20
 DATE: APRIL 2022