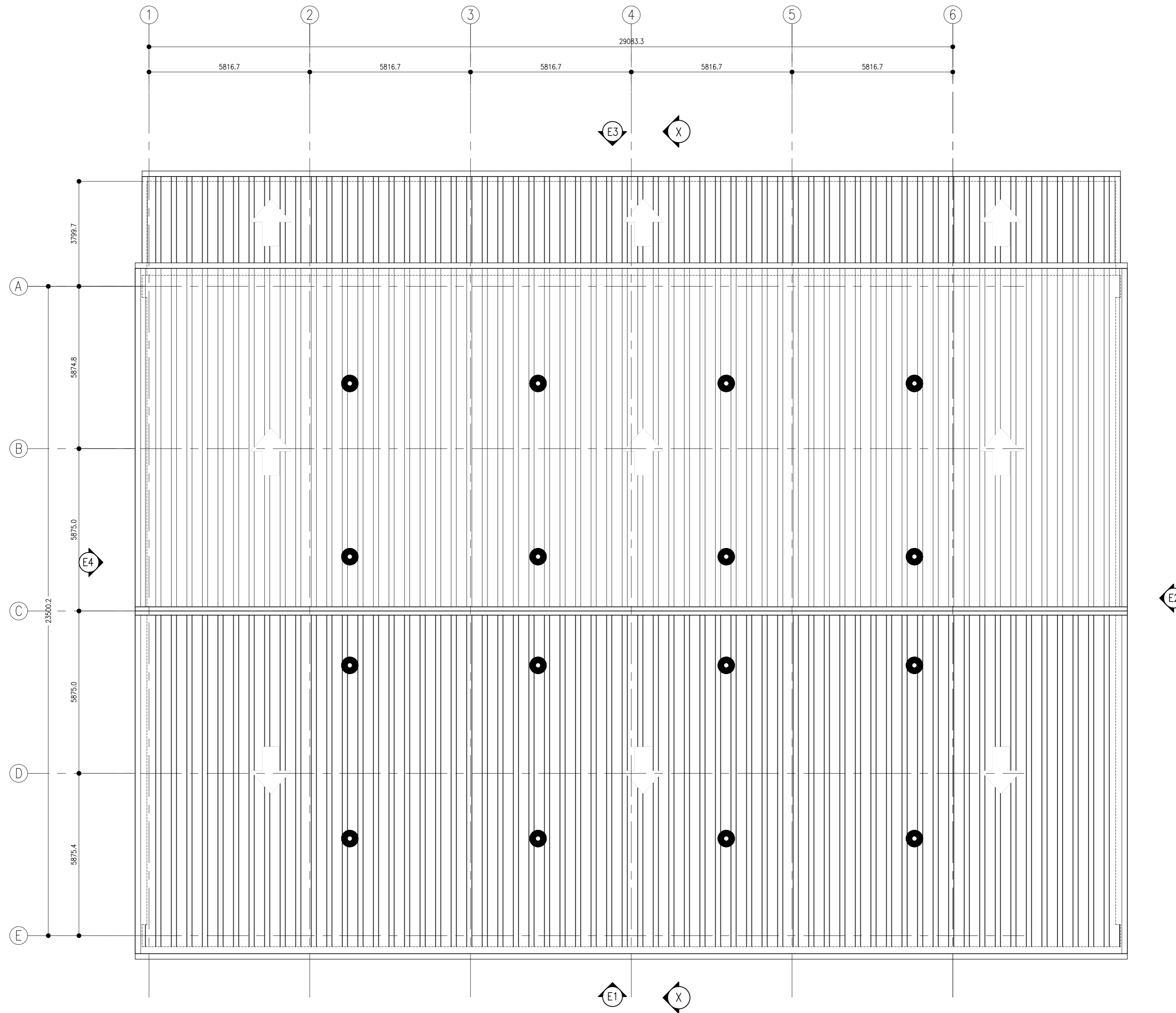


SINGLE VOLLEY BALL COURT INDOOR
ARCHITECTURAL AND STRUCTURAL DRAWING
2022.03.03

SIARCH
PRIVATE LIMITED
LONUZIYAARAIY MAGU, MALE', 20075, MALDIVES
EMAIL: INFO@SIARCH.DESIGN
HTTP://WWW.SIARCH.DESIGN



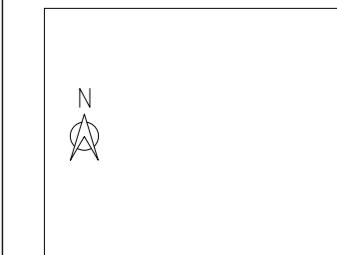
ROOF PLAN

SCALE 1:100
 0m 5m

CLIENT: MINISTRY OF YOUTH,
SPORTS & COMMUNITY
EMPOWERMENT

DESIGN AND CONSULTANCY:
SIARCH
 PRIVATE LIMITED
 LONZHARAY MAGUMALE, 20075 MALDIVES
 EMAIL: INFO@SIARCH.DESIGN
 HTTP://WWW.SIARCH.DESIGN

KEY PLAN:



WARNING:

- This drawing shall not be used for construction unless certified.
- Contractor to verify all dimensions of existing works on site before commencing any work or preparing shop drawings.
- Do not scale drawings, use written dimensions only.
- This drawing is to be read in conjunction with the specifications and conditions of contract.
- This drawing and design is copyright and no portion may be reproduced without the permission of the Consultant

REVISIONS

NO	DESCRIPTION	DATE

PROJECT:

SINGLE VOLLEY BALL
COURT INDOOR

PHASE:

- CONCEPT DESIGN
- DESIGN DEVELOPMENT
- TENDER DOCUMENT
- FOR CONSTRUCTION
- AS BUILD DRAWINGS

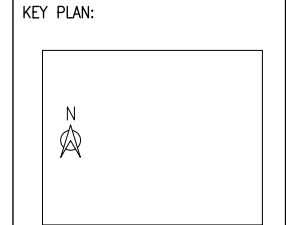
DESIGNATION	NAME	SIGNATURE
DESIGNED BY	SIARCH.PVT.LTD	
ARCHITECT	-	
STR. ENGINEER	-	
CHECKED	MOHAMED SIRAJ	
DRAWN	SANKA SUMEDHA	

DICIPLINE:

ARCHITECTURAL

ROOF PLAN

CODE	DATE	DWG. NO:
RSD-190	03.03.2022	AR03
FORMAT	A1 A2 A3	
SCALE	- 1:100 -	ISSUE A
PDF FILE NAME: RSD-190_HSC_AR03_A		



WARNING:

- This drawing shall not be used for construction unless certified.
- Contractor to verify all dimensions of existing works on site before commencing any work or preparing shop drawings.
- Do not scale drawings, use written dimensions only.
- This drawing is to be read in conjunction with the specifications and conditions of contract.
- This drawing and design is copyright and no portion may be reproduced without the permission of the Consultant

REVISIONS

NO	DESCRIPTION	DATE

PROJECT:
SINGLE VOLLEY BALL COURT INDOOR

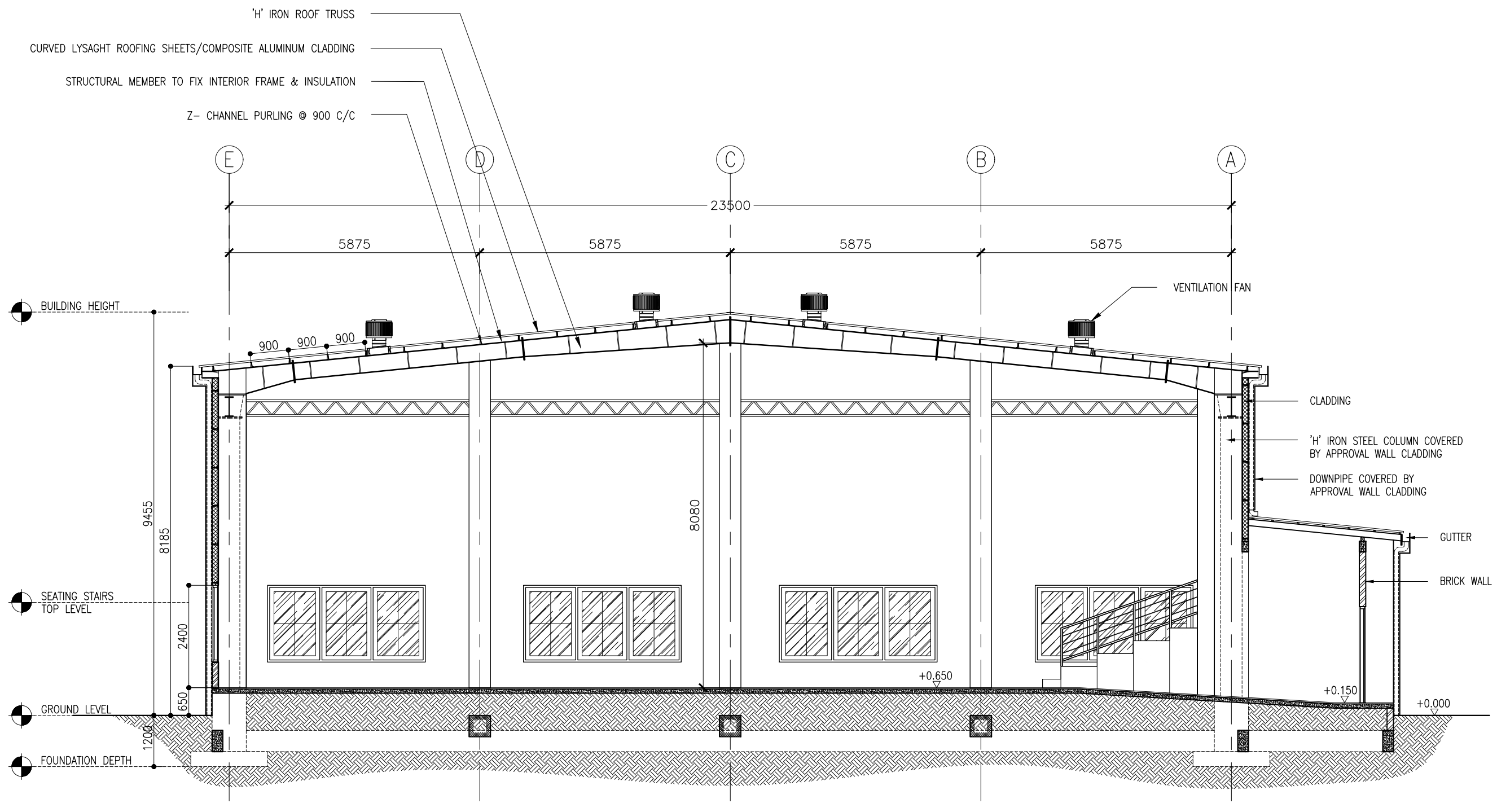
PHASE:
 CONCEPT DESIGN
 DESIGN DEVELOPMENT
 TENDER DOCUMENT
 FOR CONSTRUCTION
 AS BUILD DRAWINGS

DESIGNATION	NAME	SIGNATURE
DESIGNED BY	SIARCH.PVT.LTD	
ARCHITECT	-	
STR. ENGINEER	-	
CHECKED	MOHAMED SIRAJ	
DRAWN	SANKA SUMEDHA	

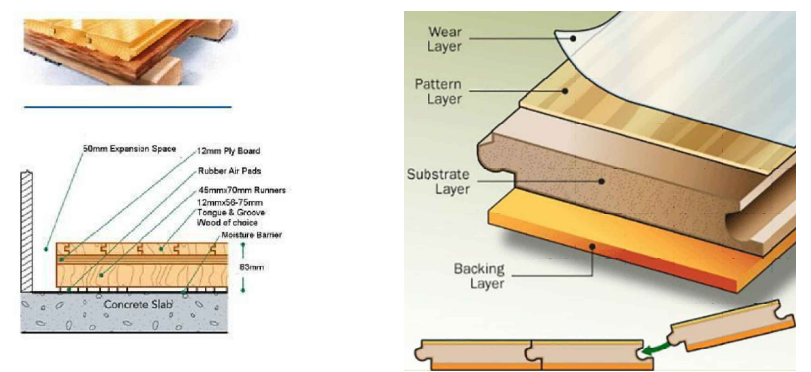
DICIPLINE:
ARCHITECTURAL

SECTION X-X

CODE	DATE	DWG. NO:
RSD-190	03.03.2022	AR04
FORMAT	A1 A2 A3	
SCALE	- - 1:100	ISSUE A
PDF FILE NAME: RSD-190_HSC_AR04_A		



SECTION X-X
SCALE 1:100



FLOORING REFERENCE IMAGE
SCALE 1:50

KEY PLAN:



WARNING:

- This drawing shall not be used for construction unless certified.
- Contractor to verify all dimensions of existing works on site before commencing any work or preparing shop drawings.
- Do not scale drawings, use written dimensions only.
- This drawing is to be read in conjunction with the specifications and conditions of contract.
- This drawing and design is copyright and no portion may be reproduced without the permission of the Consultant

REVISIONS		
NO	DESCRIPTION	DATE

PROJECT:

SINGLE VOLLEY BALL COURT INDOOR

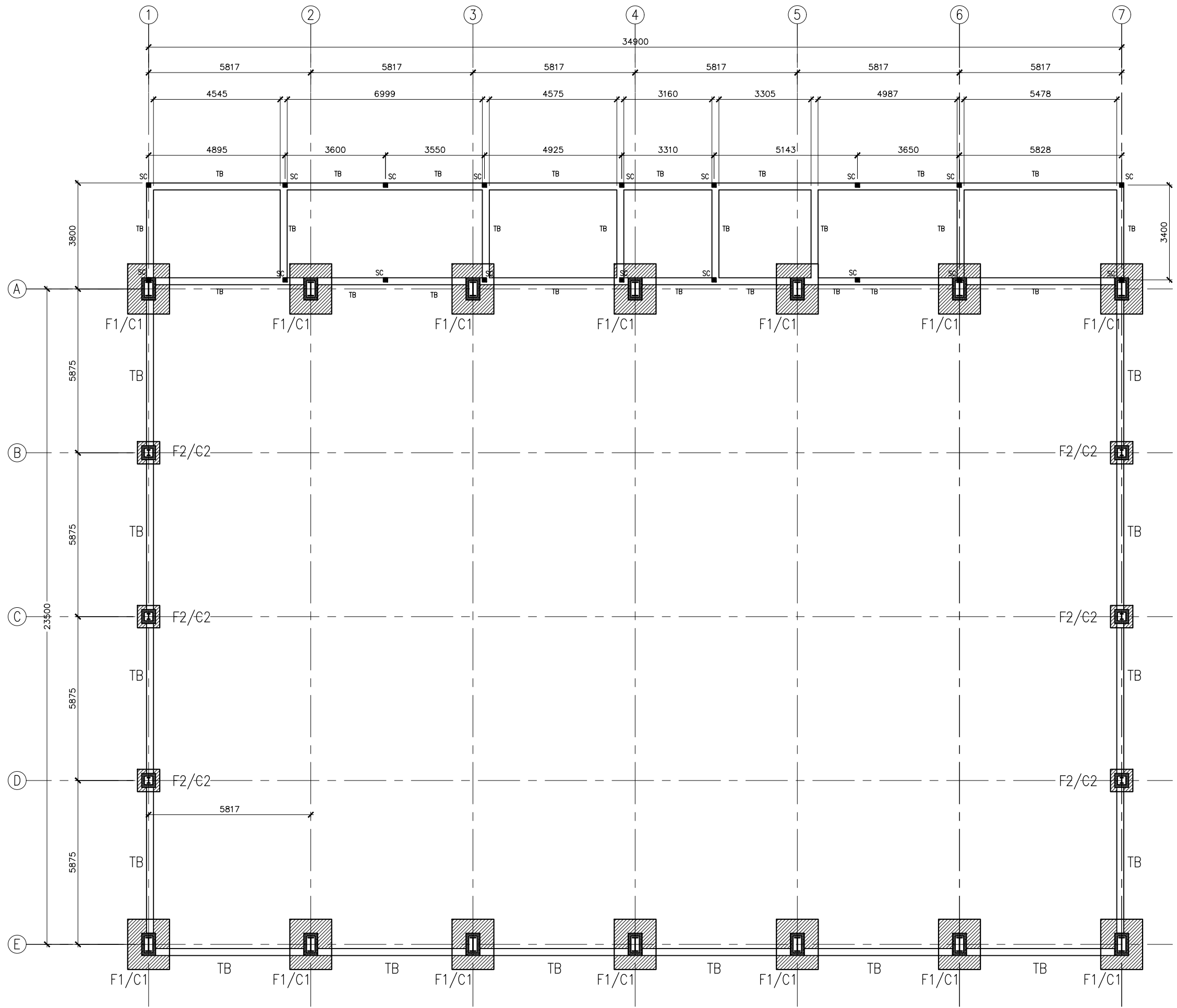
- PHASE:
- CONCEPT DESIGN
 - DESIGN DEVELOPMENT
 - TENDER DOCUMENT
 - FOR CONSTRUCTION
 - AS BUILD DRAWINGS

DESIGNATION	NAME	SIGNATURE
DESIGNED BY	SIARCH.PVT.LTD	
ARCHITECT	-	
STR. ENGINEER	-	
CHECKED	MOHAMED SIRAJ	
DRAWN	SANKA SUMEDHA	

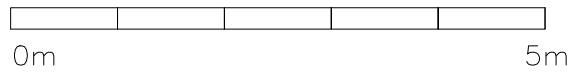
DICIPLINE:
STRUCTURAL

FOUNDATION LAYOUT

CODE	DATE	DWG. NO:
RSD-190	03.03.2022	ST01
FORMAT	A1 A2 A3	
SCALE	- 1:100 -	ISSUE A
PDF FILE NAME: RSD-190_HSC_ST01_A		



FOUNDATION LAYOUT
SCALE 1:100



NOTE:
FOUNDATION DEPTH :
1200 mm BELOW NATURAL GROUND LEVEL.

TYPE	DIMENSION	REINFORCEMENT
F1	1500 X 1800 X 350	T12@150 B/W (B)
F2	800 X 800 X 350	T12@150 B/W (B)



WARNING:

- This drawing shall not be used for construction unless certified.
- Contractor to verify all dimensions of existing works on site before commencing any work or preparing shop drawings.
- Do not scale drawings, use written dimensions only.
- This drawing is to be read in conjunction with the specifications and conditions of contract.
- This drawing and design is copyright and no portion may be reproduced without the permission of the Consultant

REVISIONS

NO	DESCRIPTION	DATE

PROJECT:

SINGLE VOLLEY BALL COURT INDOOR

PHASE:

- CONCEPT DESIGN
- DESIGN DEVELOPMENT
- TENDER DOCUMENT
- FOR CONSTRUCTION
- AS BUILD DRAWINGS

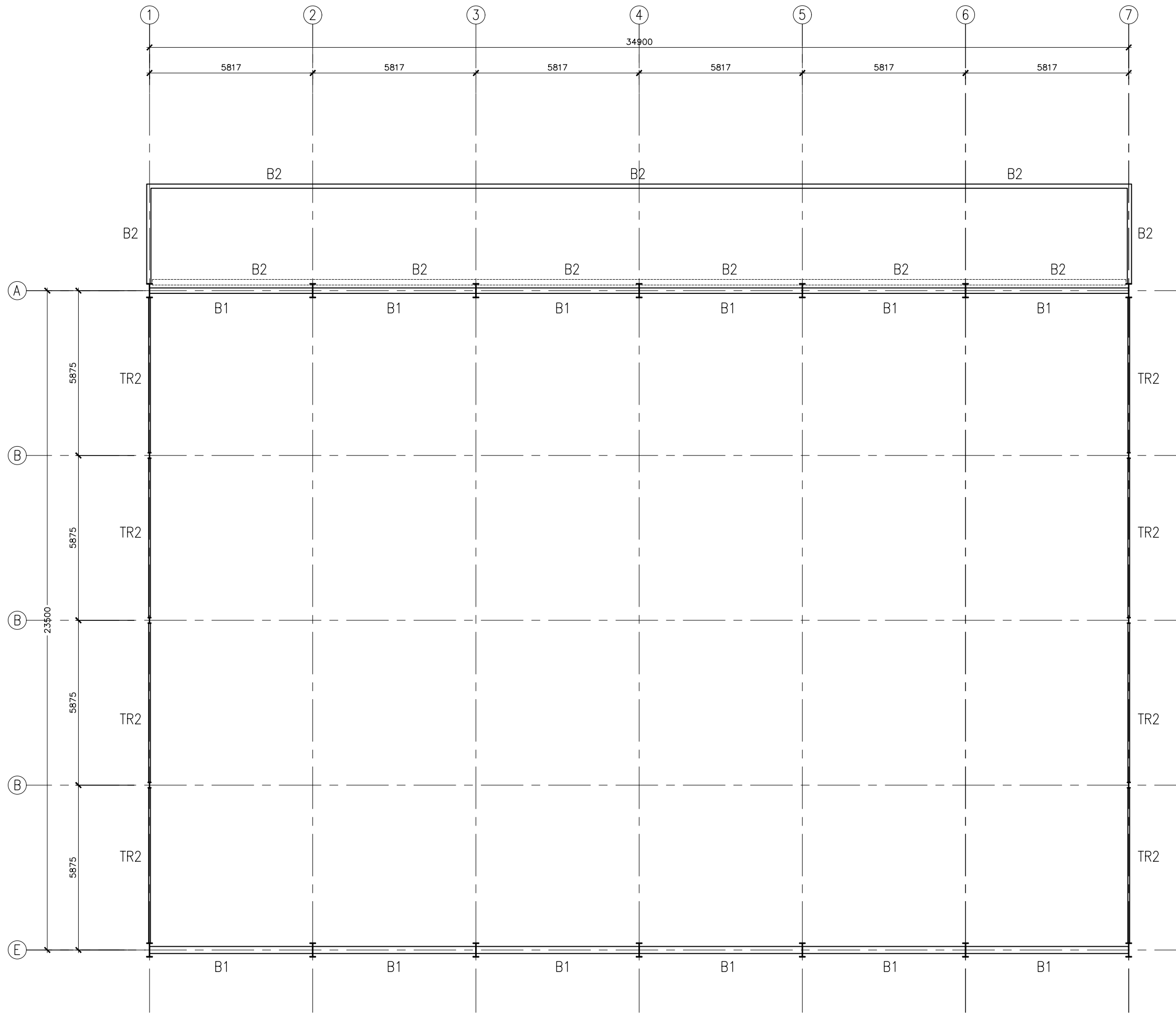
DESIGNATION	NAME	SIGNATURE
DESIGNED BY	SIARCH.PVT.LTD	
ARCHITECT	-	
STR. ENGINEER	-	
CHECKED	MOHAMED SIRAJ	
DRAWN	SANKA SUMEDHA	

DICIPLINE:

STRUCTURAL

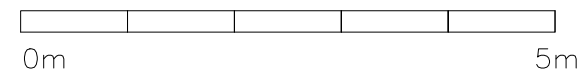
ROOF BEAM LAYOUT

CODE	DATE	DWG. NO:
RSD-190	03.03.2022	ST02
FORMAT	A1 A2 A3	
SCALE	- 1:100 -	ISSUE A
PDF FILE NAME: RSD-190_HSC_ST02_A		



ROOF BEAM LAYOUT

SCALE 1:100





WARNING:

- This drawing shall not be used for construction unless certified.
- Contractor to verify all dimensions of existing works on site before commencing any work or preparing shop drawings.
- Do not scale drawings, use written dimensions only.
- This drawing is to be read in conjunction with the specifications and conditions of contract.
- This drawing and design is copyright and no portion may be reproduced without the permission of the Consultant

REVISIONS

NO	DESCRIPTION	DATE

PROJECT:

SINGLE VOLLEY BALL COURT INDOOR

PHASE:

- CONCEPT DESIGN
- DESIGN DEVELOPMENT
- TENDER DOCUMENT
- FOR CONSTRUCTION
- AS BUILT DRAWINGS

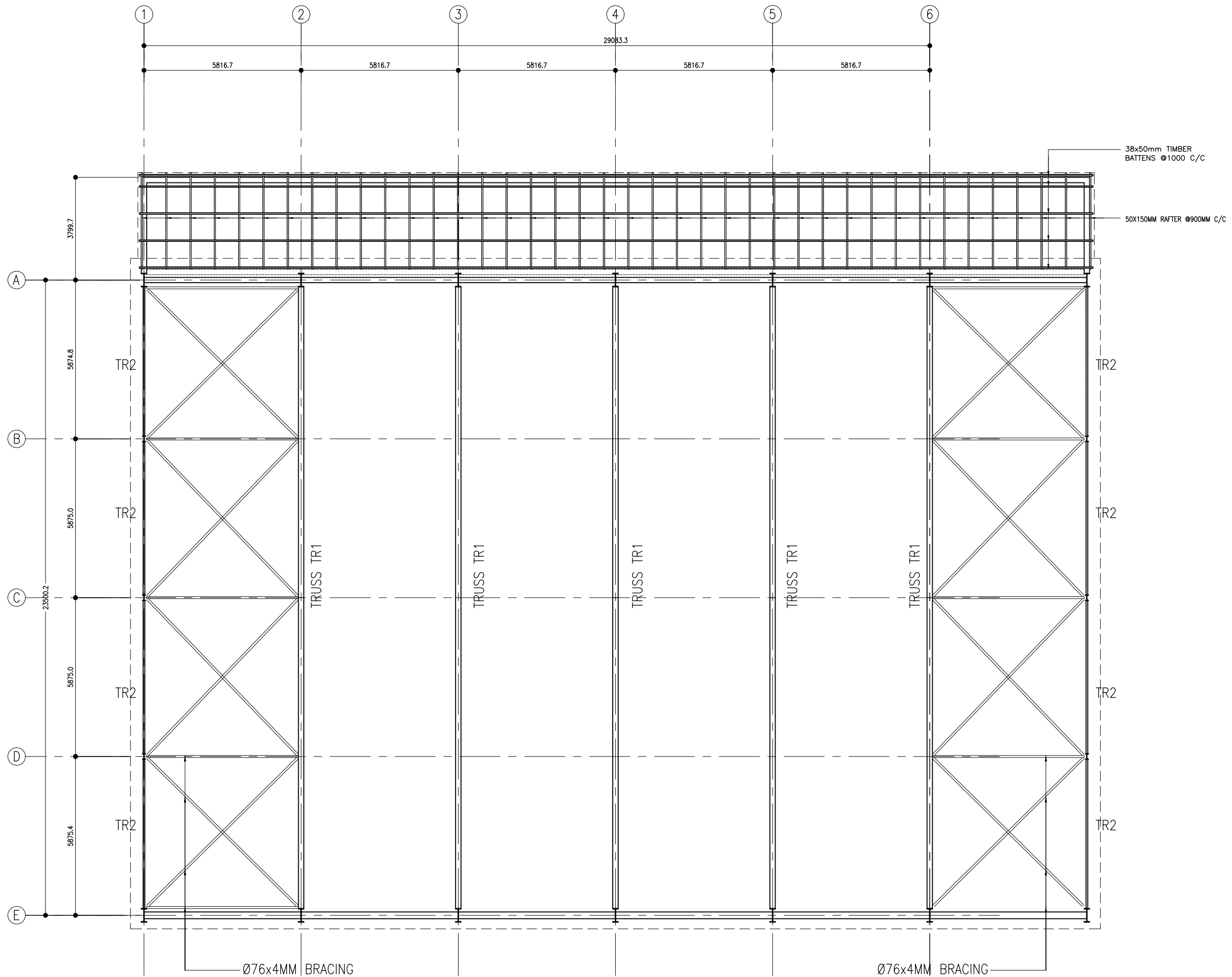
DESIGNATION	NAME	SIGNATURE
DESIGNED BY	SIARCH.PVT.LTD	
ARCHITECT	-	
STR. ENGINEER	-	
CHECKED	MOHAMED SIRAJ	
DRAWN	SANKA SUMEDHA	

DICIPLINE:

STRUCTURAL

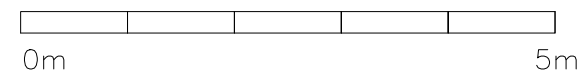
ROOF TRUSS AND
LOW ROOF LAYOUT

CODE	DATE	DWG. NO:
RSD-190	03.03.2022	ST03
FORMAT	A1 A2 A3	
SCALE	- 1:100 -	ISSUE A
PDF FILE NAME: RSD-190_HSC_ST03_A		



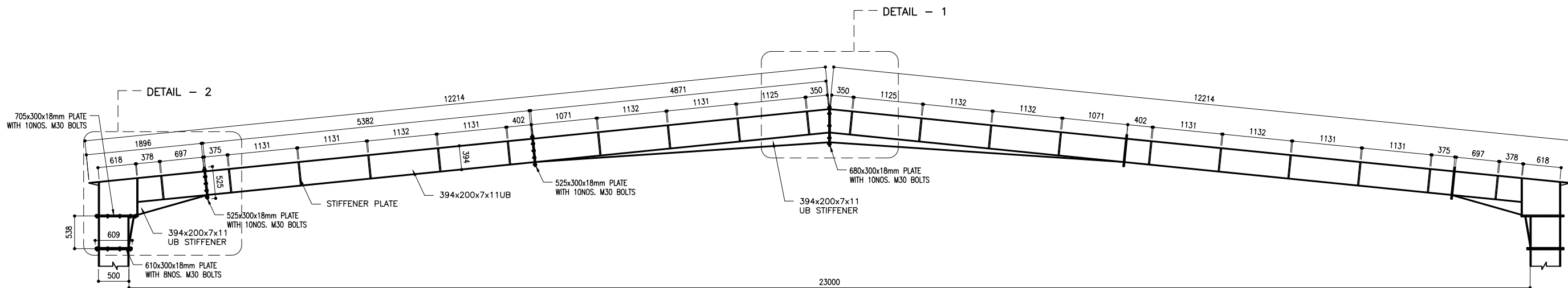
ROOF TRUSS AND LOW ROOF LAYOUT

SCALE 1:100

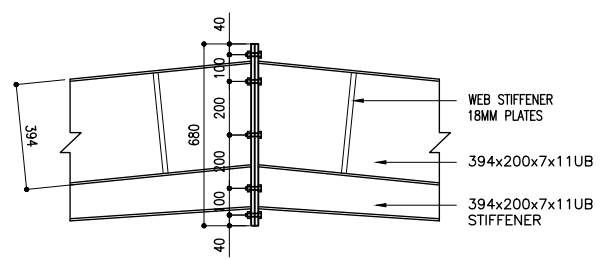


0m

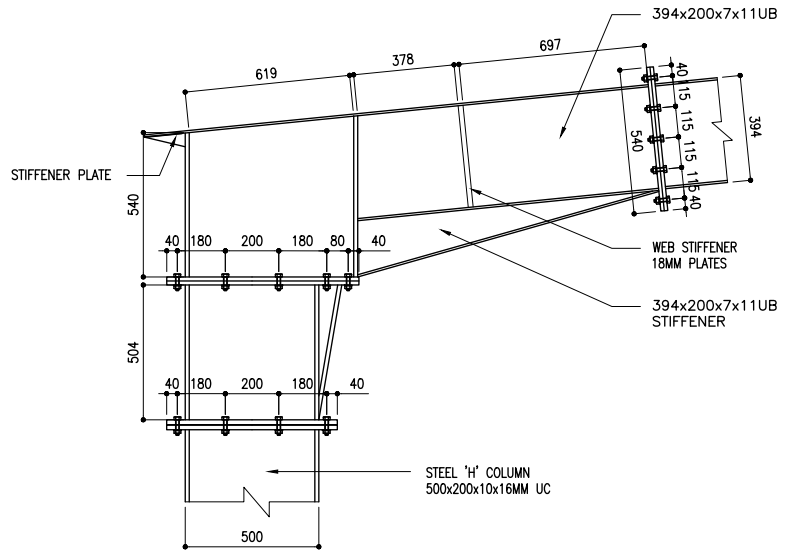
5m



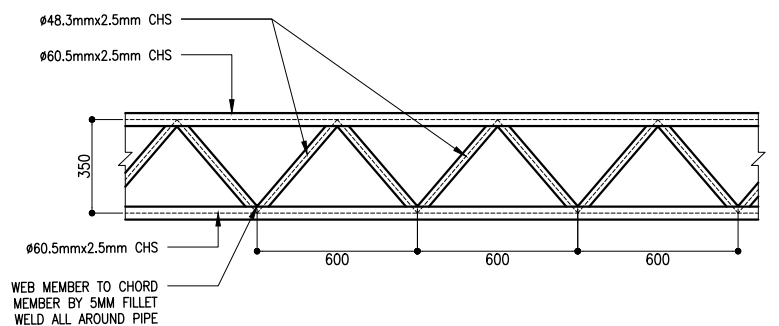
TR1- TRUSS DETAIL
SCALE 1:50



DETAIL-01
SCALE 1:20



DETAIL-02
SCALE 1:20



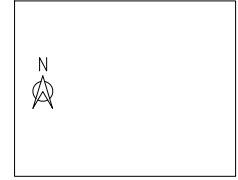
TRUSS- TR2
SCALE 1:20



CLIENT: MINISTRY OF YOUTH,
SPORTS & COMMUNITY
EMPOWERMENT



KEY PLAN:



WARNING:

- This drawing shall not be used for construction unless certified.
- Contractor to verify all dimensions of existing works on site before commencing any work or preparing shop drawings.
- Do not scale drawings, use written dimensions only.
- This drawing is to be read in conjunction with the specifications and conditions of contract.
- This drawing and design is copyright and no portion may be reproduced without the permission of the Consultant

REVISIONS

NO	DESCRIPTION	DATE

PROJECT:

SINGLE VOLLEY BALL COURT INDOOR

PHASE:

- CONCEPT DESIGN
- DESIGN DEVELOPMENT
- TENDER DOCUMENT
- FOR CONSTRUCTION
- AS BUILD DRAWINGS

DESIGNATION	NAME	SIGNATURE
DESIGNED BY	SIARCH-PVT.LTD	
ARCHITECT	-	
STR. ENGINEER	-	
CHECKED	MOHAMED SIRAJ	
DRAWN	SANKA SUMEDHA	

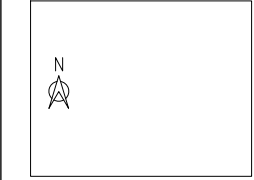
DICIPLINE:

STRUCTURAL

ROOF STRUCTURAL
DETAIL

CODE	DATE	DWG. NO:
RSD-190	03.03.2022	ST05
FORMAT	A1 A2 A3	
SCALE	- 1:20 -	ISSUE A
PDF FILE NAME: RSD-190_HSC_ST05_A		

KEY PLAN:



WARNING:

- This drawing shall not be used for construction unless certified.
- Contractor to verify all dimensions of existing works on site before commencing any work or preparing shop drawings.
- Do not scale drawings, use written dimensions only.
- This drawing is to be read in conjunction with the specifications and conditions of contract.
- This drawing and design is copyright and no portion may be reproduced without the permission of the Consultant

REVISIONS		
NO	DESCRIPTION	DATE

PROJECT:
SINGLE VOLLEY BALL COURT INDOOR

PHASE:

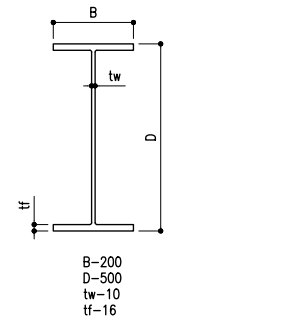
- CONCEPT DESIGN
- DESIGN DEVELOPMENT
- TENDER DOCUMENT
- FOR CONSTRUCTION
- AS BUILD DRAWINGS

DESIGNATION	NAME	SIGNATURE
DESIGNED BY	SIARCH-PVT.LTD	
ARCHITECT	-	
STR. ENGINEER	-	
CHECKED	MOHAMED SIRAJ	
DRAWN	SANKA SUMEDHA	

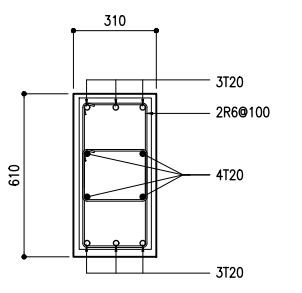
DICIPLINE:
STRUCTURAL

STRUCTURAL DETAIL

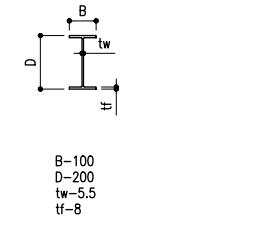
CODE	DATE	DWG. NO:
RSD-190	03.03.2022	ST06
FORMAT	A1 A2 A3	
SCALE	- 1:20 -	ISSUE A
PDF FILE NAME: RSD-190_HSC_ST06_A		



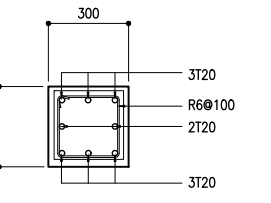
C1-COLUMN DETAIL
SCALE 1:20



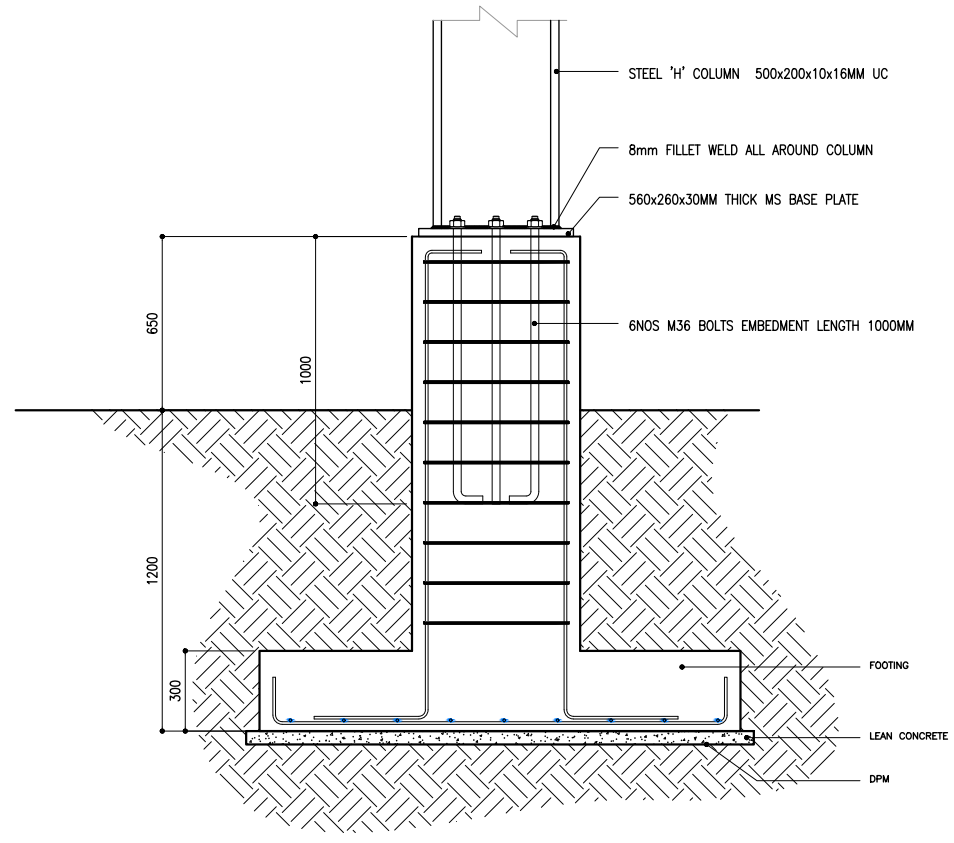
C1 - COLUMN DETAIL
SCALE 1:20



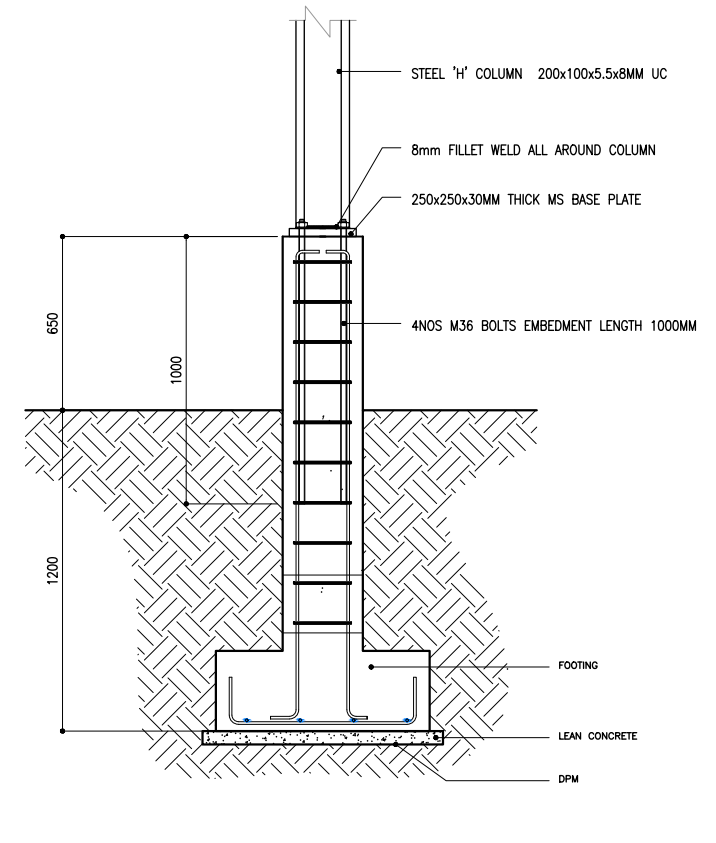
C2-COLUMN DETAIL
SCALE 1:20



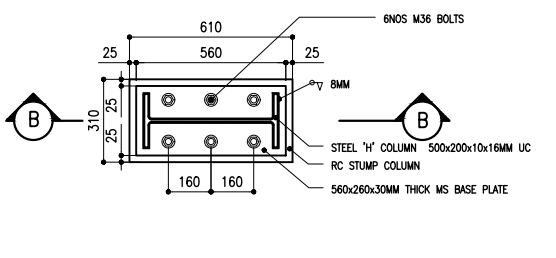
C2 - COLUMN DETAIL
SCALE 1:20



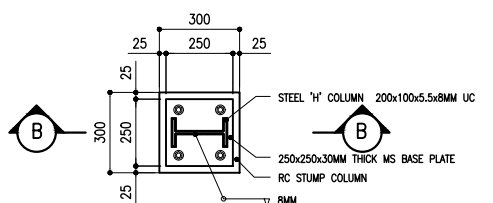
SECTION C-C
SCALE 1:20



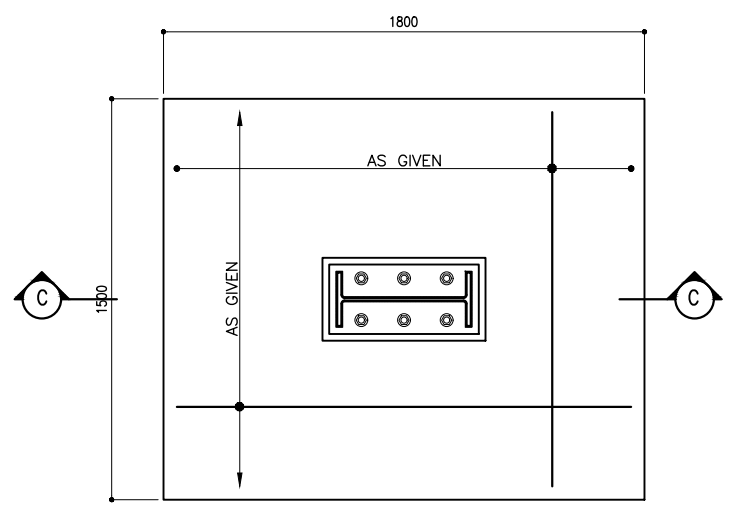
SECTION D-D
SCALE 1:20



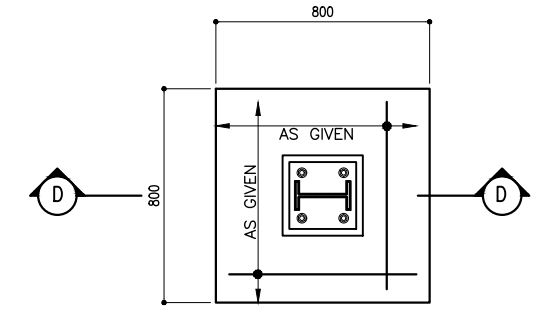
COLUMN CONNECTION DETAIL
SCALE 1:20



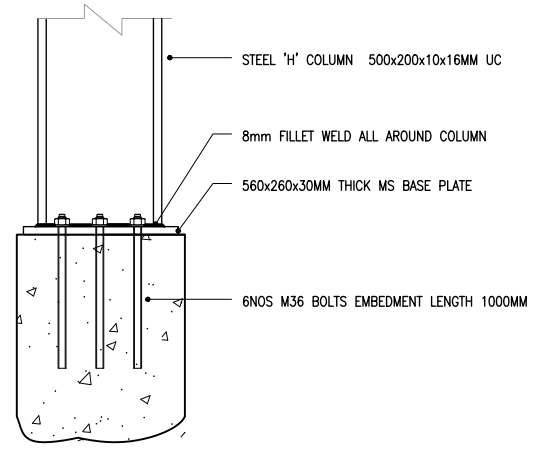
C2 - STUMP COLUMN DETAIL
SCALE 1:20



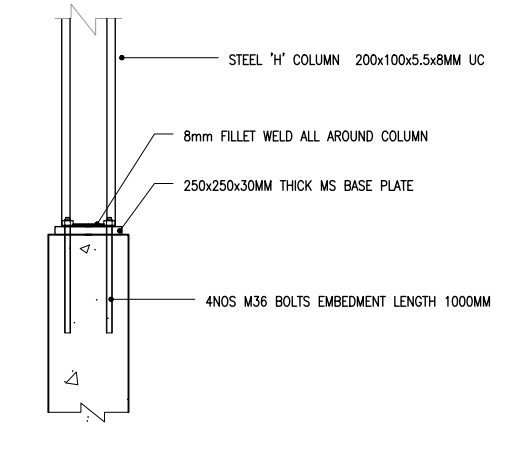
F1-FOOTING PLAN
SCALE 1:20



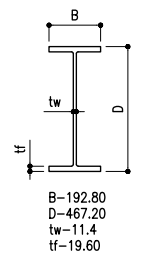
F2-FOOTING PLAN
SCALE 1:20



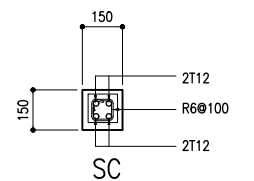
SECTION B-B
SCALE 1:20



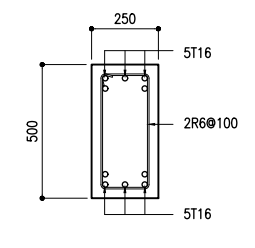
SECTION B-B
SCALE 1:20



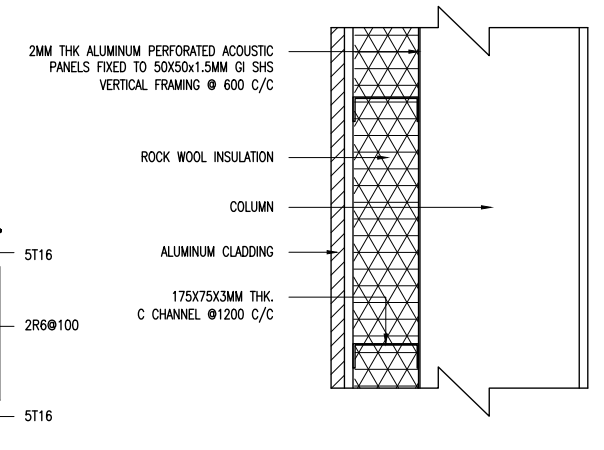
B1- BEAM DETAIL
SCALE 1:20



STUMP COLUMN DETAIL
SCALE 1:20



TB-TIE BEAM DETAIL
SCALE 1:20



TYPICAL COLUMN COVER DETAIL
SCALE 1:20