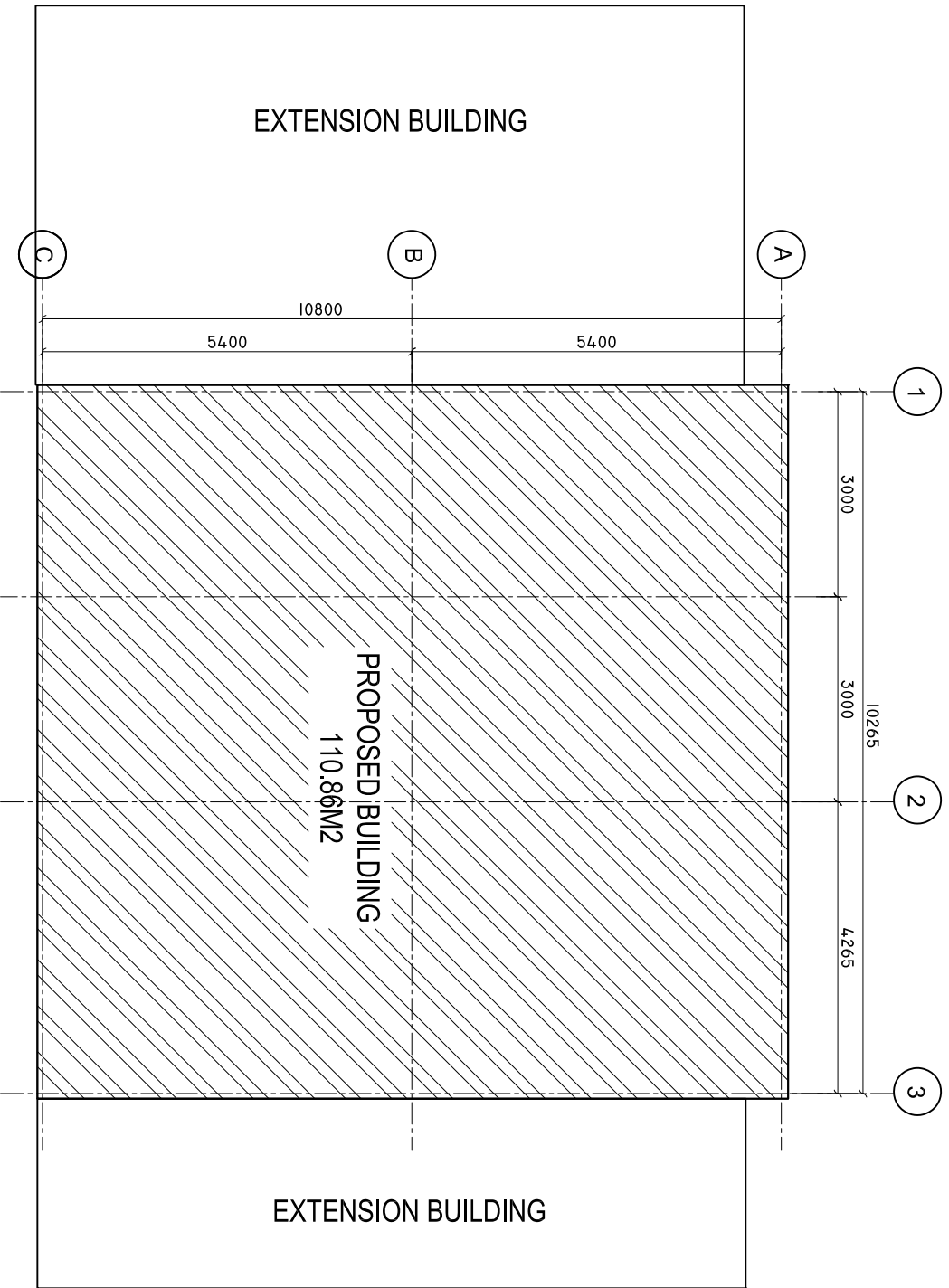


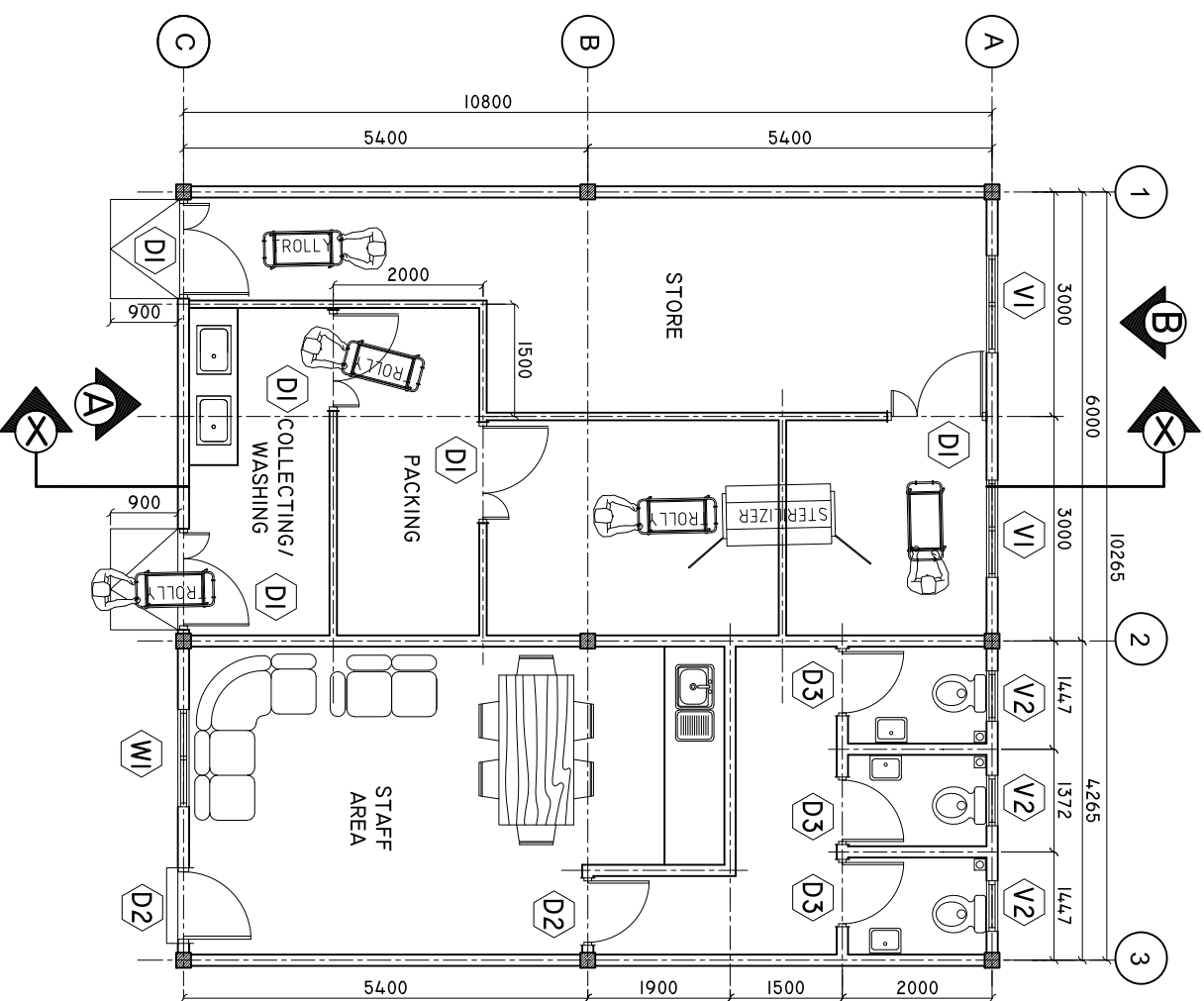
# SITE PLAN

SCALE: 1 : 100



## PROPOSED CSSD FLOOR PLAN

SCALE: 1 : 100



SHEET CONTENTS :

REVISION NOTES:

PROJECT:  
CONSTRUCTION OF  
CSSD AND STAFF AEA  
AT DR. ABDUL SAMAD  
MEMORIAL HOSPITAL

CLIENT:

MINISTRY OF HEALTH

LOCATION:

GDH, THINADHOO

CONTENTS: AS GIVEN

PROJECT MANAGER:

DESIGNER: ARIZ

CIV/STR. ENGINEER: ISMAIL

SURVEYED BY: -

DRAWN BY: ARIZ

CHECKED BY:

DATE : APRIL 2021

SHEET NO. : /

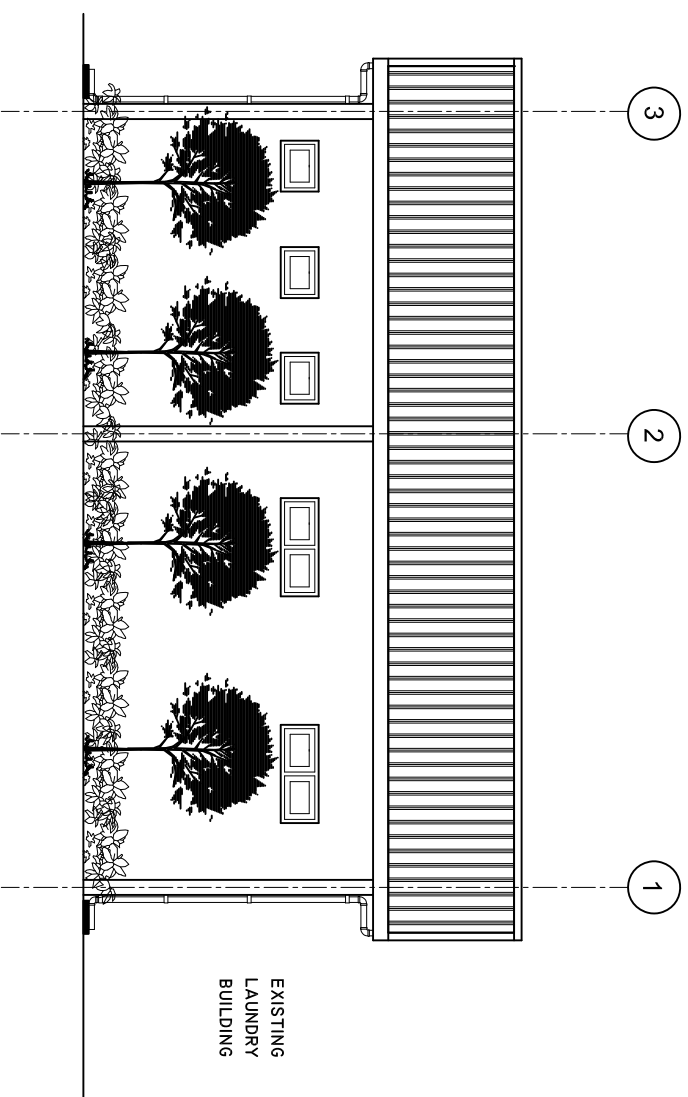
PAPER SIZE: A3



ADMIN DIVISION  
Ministry of Health  
Roshanee Building  
Soan Marga  
Tel: 332 8887, Fax: 332 8889

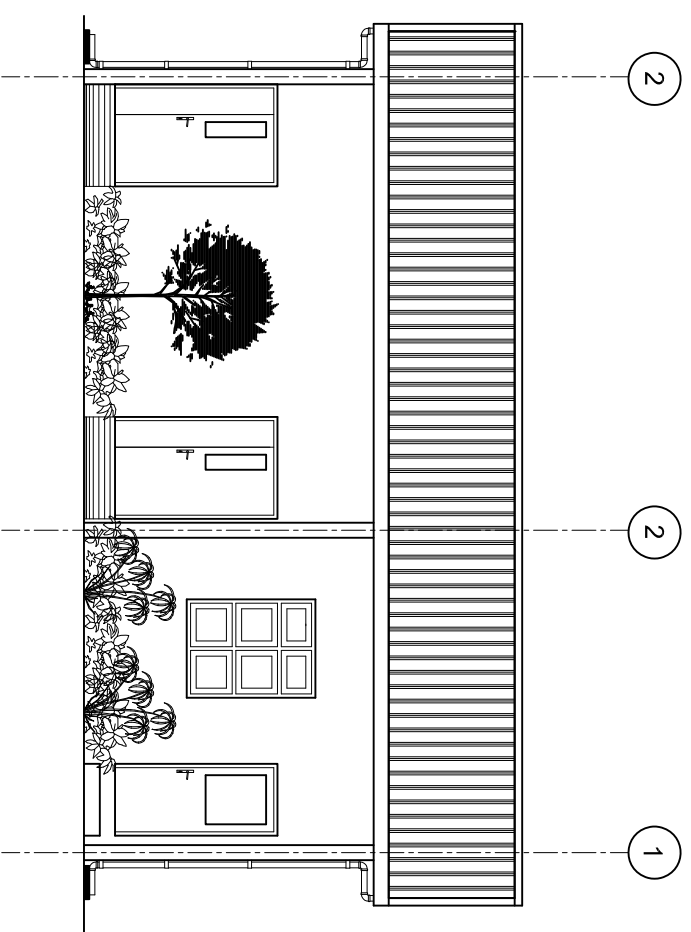
# ELEVATION 'B'

SCALE: 1 : 100



# ELEVATION 'A'

SCALE: 1 : 100



SHEET CONTENTS :

REVISION NOTES:

PROJECT:  
CONSTRUCTION OF  
CSSD AND STAFF AEA  
AT DR. ABDUL SAMAD  
MEMORIAL HOSPITAL

CLIENT:

MINISTRY OF HEALTH

LOCATION:

GDH , THINADHOO

CONTENTS: AS GIVEN

PROJECT MANAGER:

DESIGNER: ARIZ

CIV/STR. ENGINEER: ISMAIL

SURVEYED BY: -

DRAWN BY: ARIZ

CHECKED BY:

DATE : APRIL 2021

SHEET NO. : /

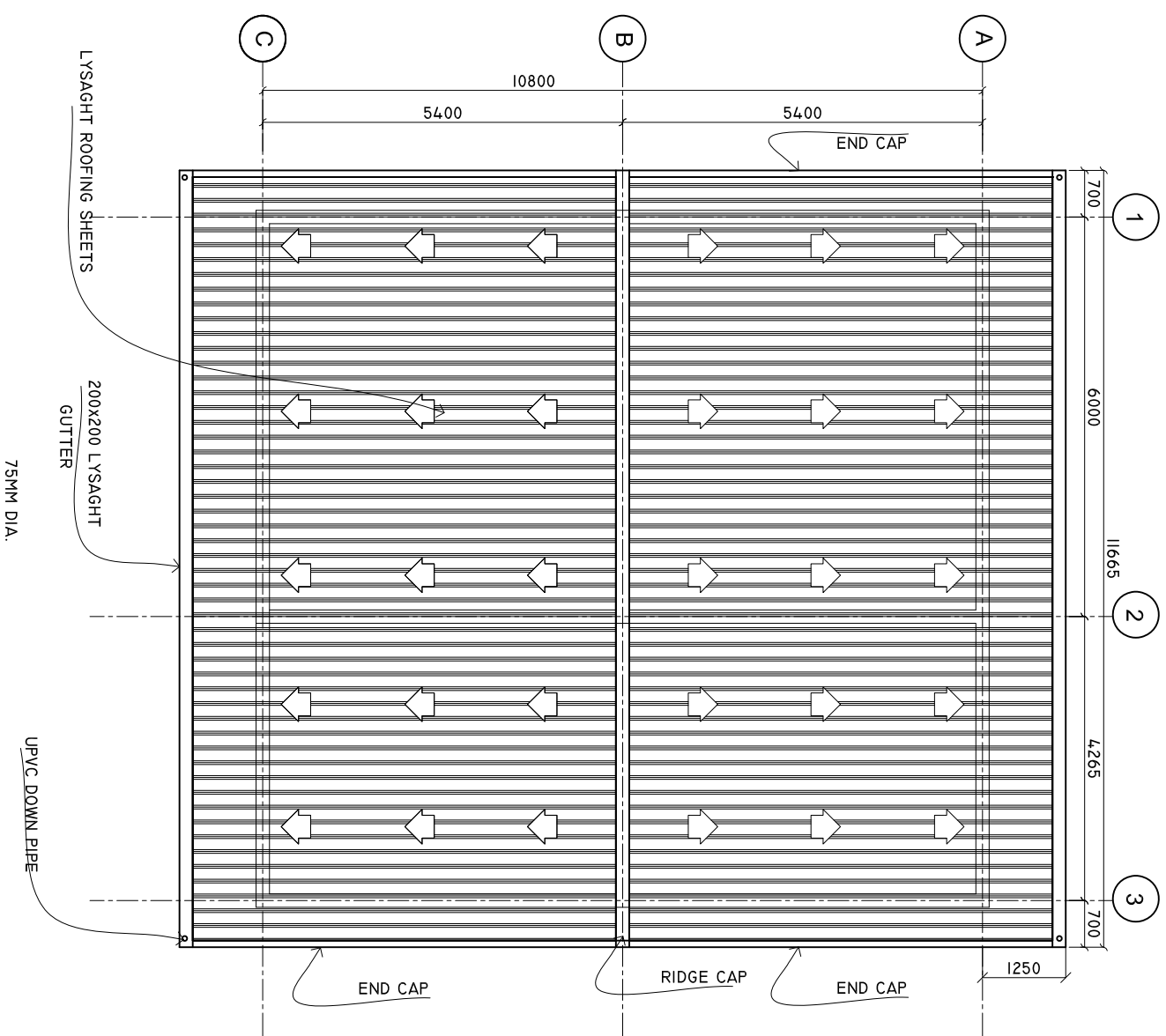
PAPER SIZE: A3



ADMIN DIVISION  
Ministry of Health  
Roshanee Building  
Soanai Malaga  
Tel: 332 8887, Fax: 332 8889

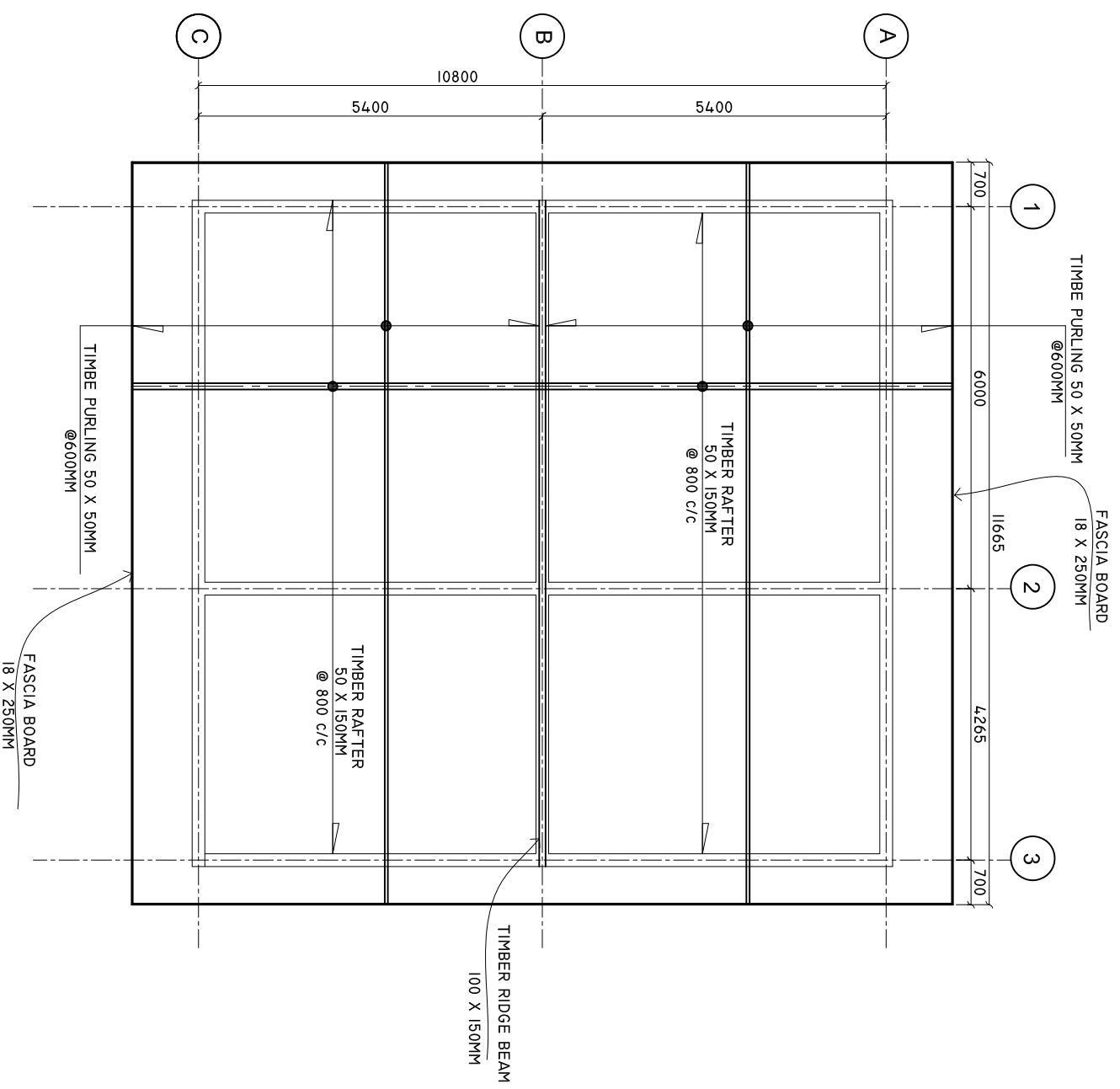
# ROOF PLAN

SCALE: 1 : 100



# ROOF FRAMING PLAN

SCALE: 1 : 100



SHEET CONTENTS :

REVISION NOTES:

PROJECT:  
CONSTRUCTION OF  
CSSD AND STAFF AEA  
AT DR. ABDUL SAMAD  
MEMORIAL HOSPITAL

CLIENT:

MINISTRY OF HEALTH

LOCATION:

GDH, THINADHOO

CONTENTS: AS GIVEN

PROJECT MANAGER:

DESIGNER: ARIZ

CIV/STR. ENGINEER: ISMAIL

SURVEYED BY: -

DRAWN BY: ARIZ

CHECKED BY:

DATE : APRIL 2021

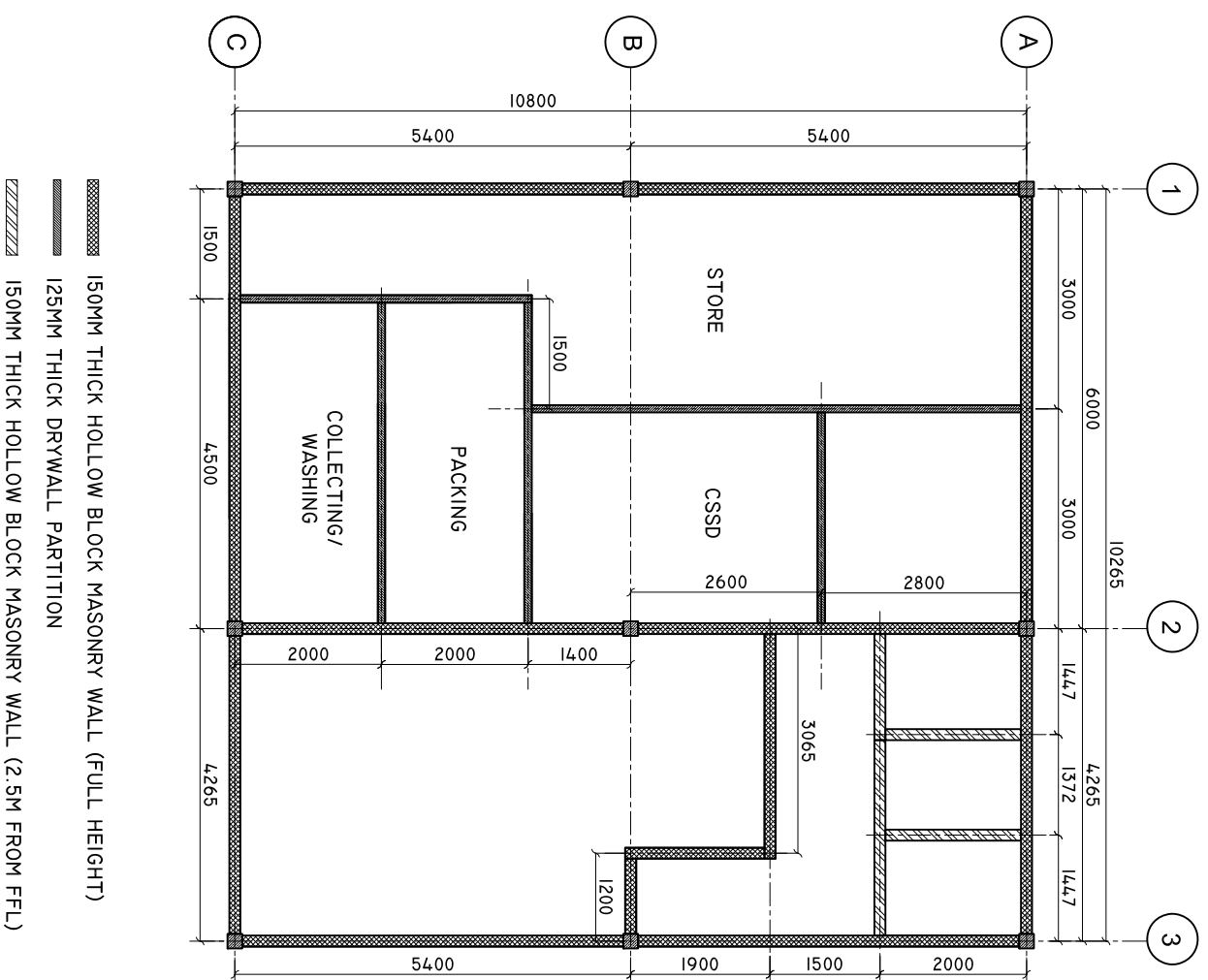
SHEET NO. : /

PAPER SIZE: A3



# WALL DETAILS

SCALE: 1 : 100



SHEET CONTENTS :

REVISION NOTES:

PROJECT:  
CONSTRUCTION OF  
CSSD AND STAFF AEA  
AT DR. ABDUL SAMAD  
MEMORIAL HOSPITAL

CLIENT:

MINISTRY OF HEALTH

LOCATION:

GDH, THINADHOO

CONTENTS: AS GIVEN

PROJECT MANAGER:

DESIGNER: ARIZ

CIV/STR. ENGINEER: ISMAIL

SURVEYED BY: -

DRAWN BY: ARIZ

CHECKED BY:

DATE : APRIL 2021

SHEET NO. : /

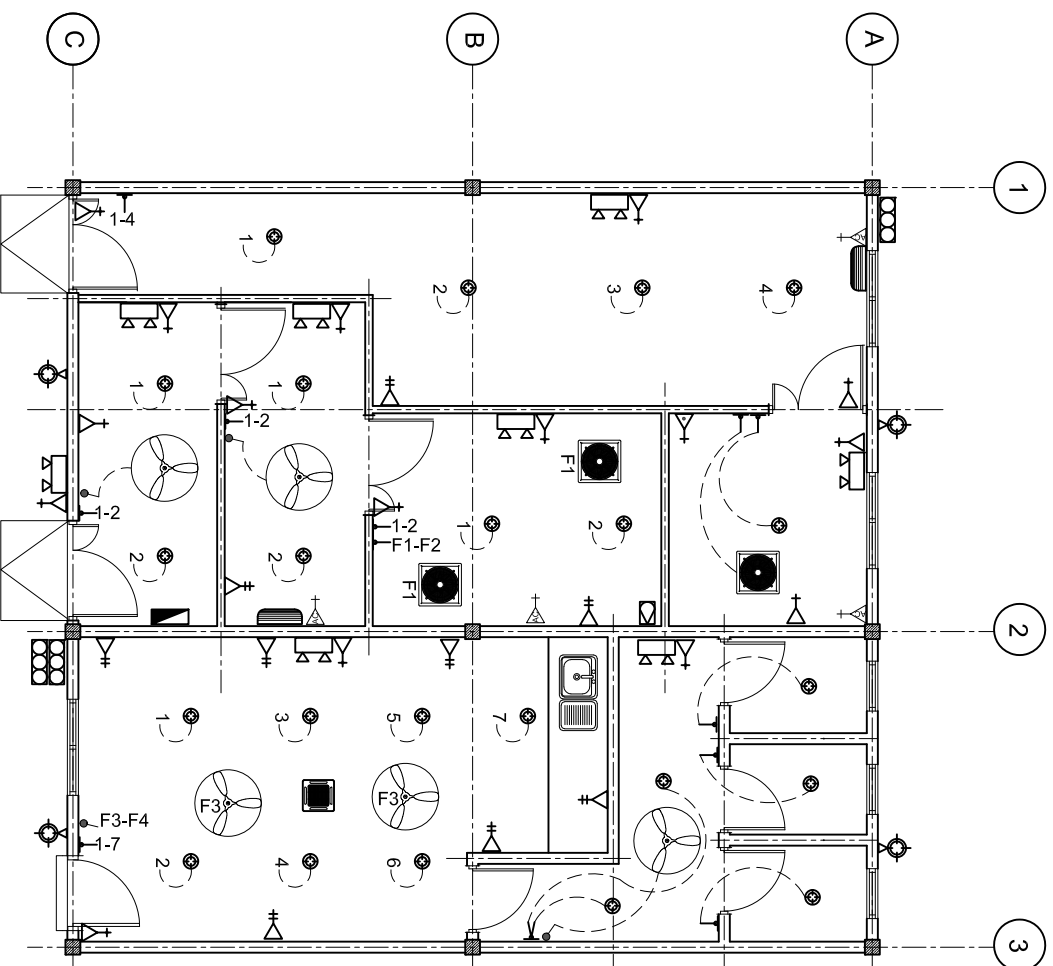
PAPER SIZE: A3



ADMIN DIVISION  
Ministry of Health  
Roshanee Building  
Soanai Marga  
Tel: 332 88877, Fax: 332 88899

# ELECTRICAL LAYOUT

SCALE: 1 : 100



## LEGEND

SYMBOL	DESCRIPTION
	LED BULB WITH 200MM DOWN LIGHT
	1 x 13 AMP SOCKET OUTLET (1600MM ABOVE FFL)
	2 x 13 AMP SOCKET OUTLET (600MM ABOVE FFL)
	1 x 15 AMP SOCKET OUTLET (600MM ABOVE FFL)
	1 x 15 AMP AC SOCKET OUTLET ( 300MM BLW, CEILING)
	TWO GANG SWITCH
	ONE WAY SWITCH
	EMERGENCY LIGHT
	DISTRIBUTION BOARD ( WALL EMBEDDED )
	AC WALL MOUNT UNIT
	3 PHASE ISOLATOR
	HEAVY DUTY EXHAUST FAN (CEILING)
	FAN REGULATOR
	CEILING FAN 900MM DIA.
	OUTDOOR LIGHT
	AC OUT DOOR UNIT
	AC INDOOR UNIT, CEILING CASSETTE TYPE

SHEET CONTENTS :

REVISION NOTES:

PROJECT:  
CONSTRUCTION OF  
CSSD AND STAFF AEA  
AT DR. ABDUL SAMAD  
MEMORIAL HOSPITAL

CLIENT:  
MINISTRY OF HEALTH

LOCATION:  
GDH, THINADHOO

CONTENTS: AS GIVEN

PROJECT MANAGER:

DESIGNER: ARIZ

CIV/STR. ENGINEER: ISMAIL

SURVEYED BY: -

DRAWN BY: ARIZ

CHECKED BY:

DATE : APRIL 2021

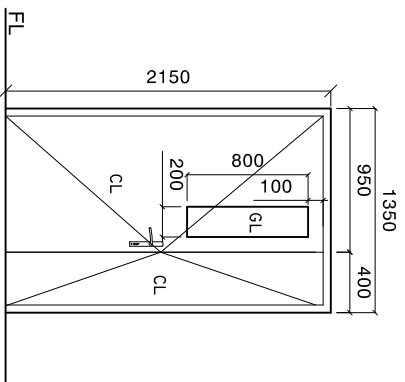
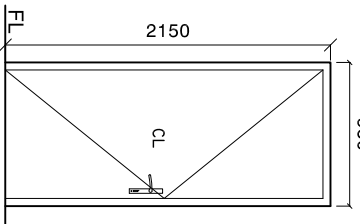
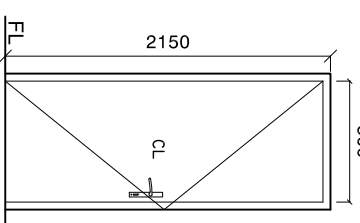
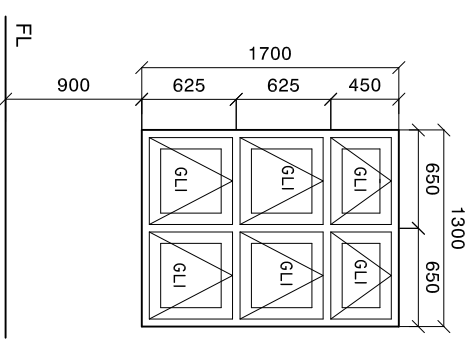
SHEET NO. : /

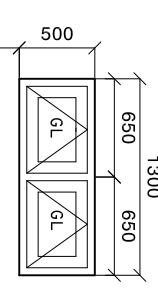
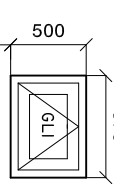
PAPER SIZE: A3



# DOORS AND WINDOWS SCHEDULE

Scale 1:50

SYMBOL	D1	D2	D3	W1
ELEVATION				
LOCATION	GROUND FLOOR	GROUND FLOOR	GROUND FLOOR	GROUND FLOOR
DESCRIPTION	40MM THICK TOP HUNG DOOR	40MM THICK OPENABLE ALUMINIUM FRAMED DOOR	40MM THICK OPENABLE ALUMINIUM FRAMED DOOR	ALUMINIUM FRAMED TOP HUNG WINDOW
HARDWARE	120MM ALUMINIUM FRAME 80 MICRON POWDER COATED, BLACK SANDY GRAY DOOR CLOSER HANDLE LOCK BUTT HINGE STOPPER HOLDER	120MM ALUMINIUM FRAME 80 MICRON POWDER COATED, BLACK SANDY GRAY DOOR CLOSER HANDLE LOCK BUTT HINGE STOPPER HOLDER	120MM ALUMINIUM FRAME 80 MICRON POWDER COATED, BLACK SANDY GRAY DOOR CLOSER HANDLE LOCK BUTT HINGE STOPPER HOLDER	120MM ALUMINIUM FRAME 80 MICRON POWDER COATED, BLACK SANDY GRAY OPENABLE FRAME HANDLE LOCK
GLAZING	C-6MM ALL FIXED PANELS TO BE DOUBLE GLASSED	C-6MM ALL FIXED PANELS TO BE DOUBLE GLASSED	C-6MM ALL FIXED PANELS TO BE DOUBLE GLASSED	6MM THICK HEAT REFLECTIVE GLASS
NOTE	ALL MEASUREMENTS TO BE CHECKED ON SITE	ALL MEASUREMENTS TO BE CHECKED ON SITE	ALL MEASUREMENTS TO BE CHECKED ON SITE	ALL MEASUREMENTS TO BE CHECKED ON SITE

SYMBOL	V1	V2
ELEVATION		
LOCATION	GROUND FLOOR	GROUND FLOOR
DESCRIPTION	40MM THICK TOP HUNG DOOR	ALUMINIUM FRAMED TOP HUNG WINDOW
HARDWARE	120MM ALUMINIUM FRAME 80 MICRON POWDER COATED, BLACK SANDY GRAY DOOR CLOSER HANDLE LOCK BUTT HINGE STOPPER HOLDER	120MM ALUMINIUM FRAME 60-80 MICRON POWDER COATED, BLACK SANDY GRAY OPENABLE FRAME HANDLE LOCK
GLAZING	C-6MM ALL FIXED PANELS TO BE DOUBLE GLASSED	6MM THICK HEAT REFLECTIVE GLASS
NOTE	ALL MEASUREMENTS TO BE CHECKED ON SITE	ALL MEASUREMENTS TO BE CHECKED ON SITE

NOTE:  
 PROVIDE RC LINTEL ABOVE ALL DOOR/WINDOW/VENTILATOR UNITS  
 NOT FIXED TO BEAMS  
 AND PROVIDE RC SILL BEAMS UNDER ALL WINDOW UNITS  
 ALL TIMBER DOORS TO BE MADE OF TIMBER, PUTTY SMOOTHED AND  
 FINISHED WITH ENAMEL PAINT AS SPECIFIED

ALL MEASUREMENTS TO BE CHECKED ON SITE BEFORE FABRICATION  
 GL = 6MM THICK CLEAR GLASS  
 GLI = 6MM THICK HEAT REFLECTIVE BLUE GLASS  
 FGI = 6MM THICK CLEAR GLASS  
 ALL THE ALUMINIUM PROFILE MUST BE MINIMUM 2MM THICK.

SHEET CONTENTS :

REVISION NOTES:

PROJECT:  
 CONSTRUCTION OF  
 CSSD AND STAFF AEA  
 AT DR. ABDUL SAMAD  
 MEMORIAL HOSPITAL

CLIENT:  
 MINISTRY OF HEALTH

LOCATION:  
 GDH, THINADHOO

CONTENTS: AS GIVEN

PROJECT MANAGER:

DESIGNER: ARIZ

CIV/STR. ENGINEER: ISMAIL

SURVEYED BY: -

DRAWN BY: ARIZ

CHECKED BY:

DATE : APRIL 2021

SHEET NO. : /

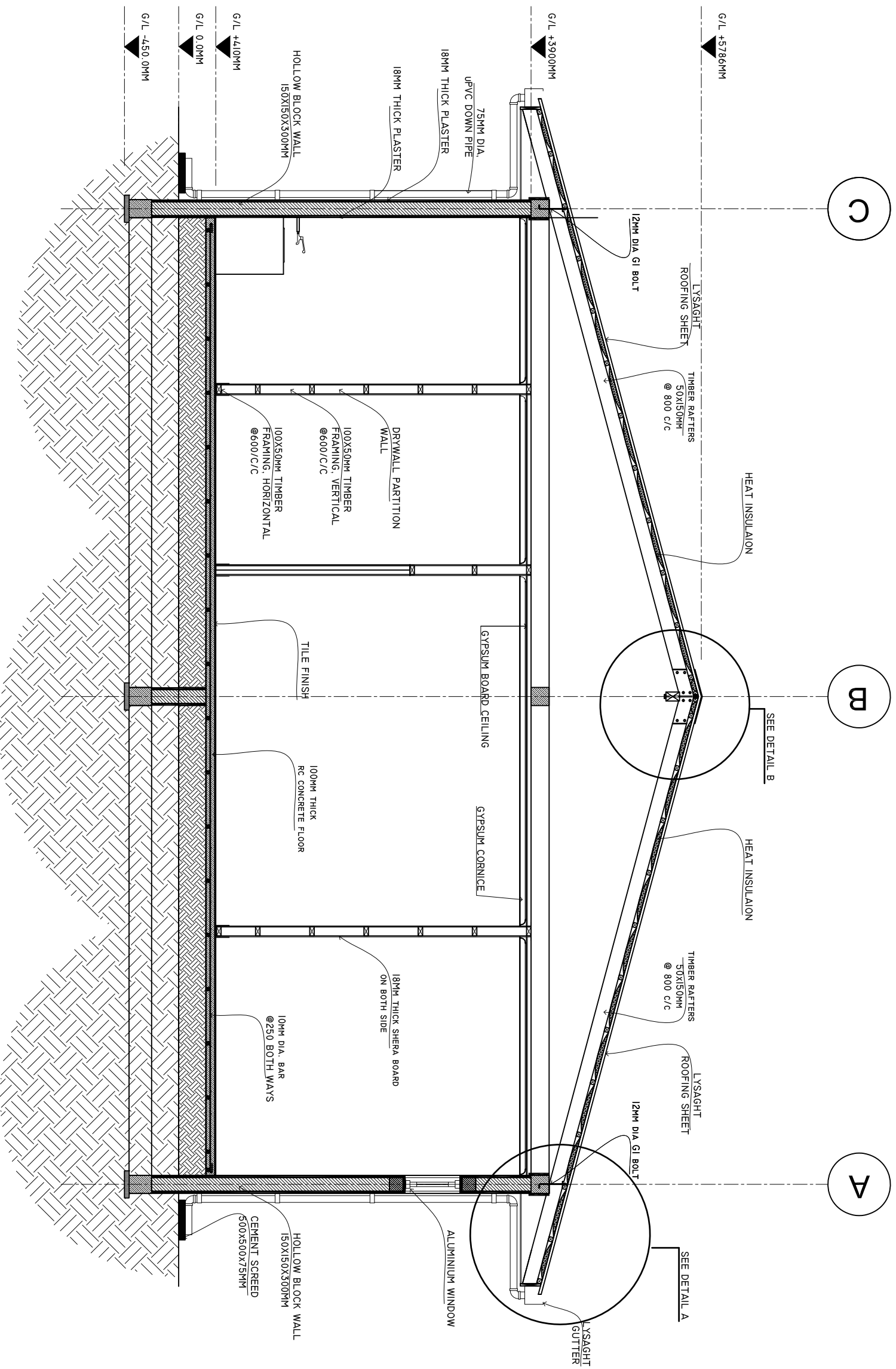
PAPER SIZE: A3



ADMIN DIVISION  
 Ministry of Health  
 Roshara Building  
 Soan Marga  
 Tel: 332 8887, Fax: 332 8889

# CROSS SECTION X-X

SCALE: 1 : 50



SHEET CONTENTS :

REVISION NOTES:

PROJECT:  
CONSTRUCTION OF  
CSSD AND STAFF AEA  
AT DR. ABDUL SAMAD  
MEMORIAL HOSPITAL

CLIENT:

MINISTRY OF HEALTH

LOCATION:

GDH, THINADHOO

CONTENTS: AS GIVEN

PROJECT MANAGER:

DESIGNER: ARIZ

CIV/STR. ENGINEER: ISMAIL

SURVEYED BY: -

DRAWN BY: ARIZ

CHECKED BY:

DATE : APRIL 2021

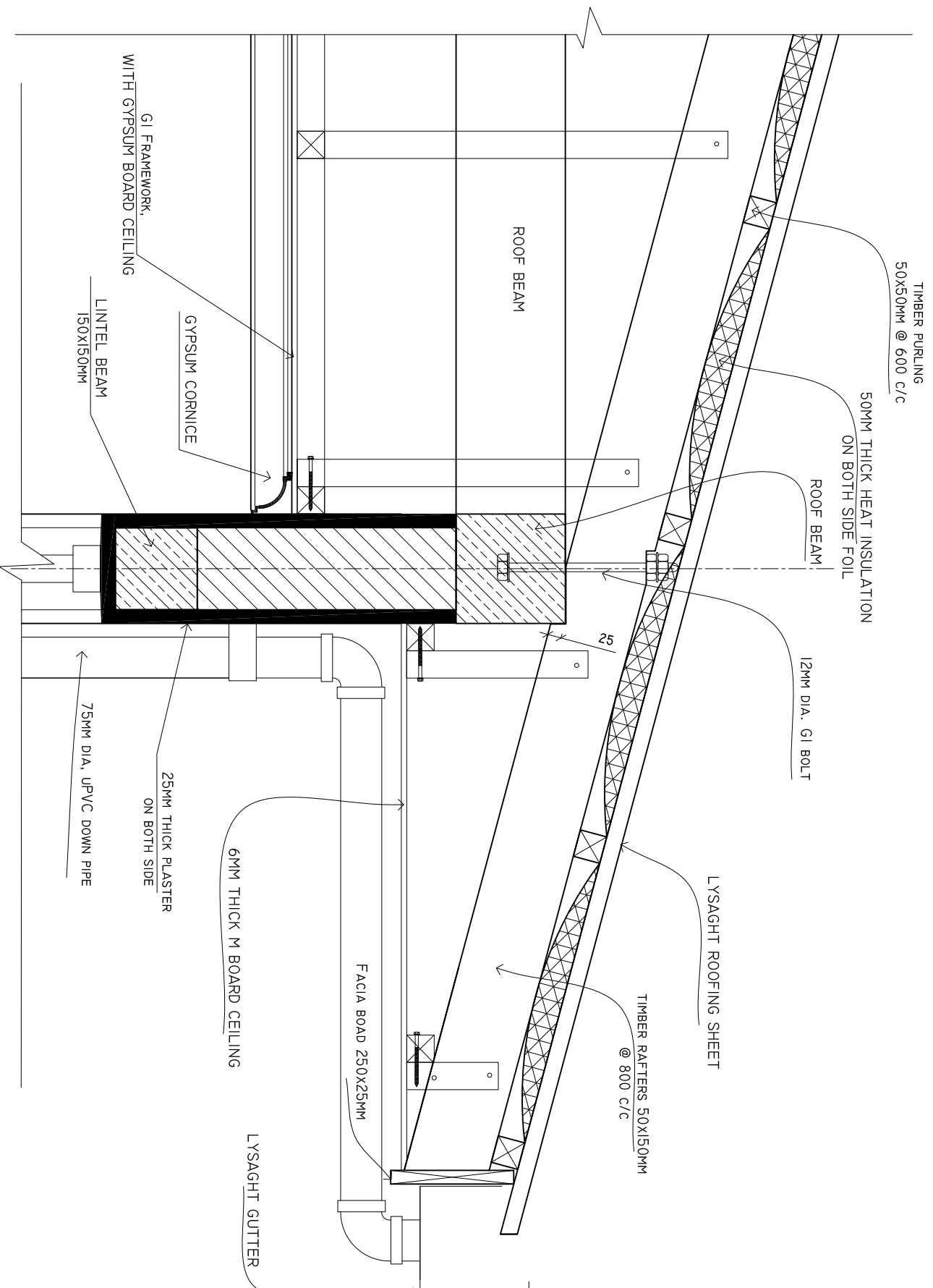
SHEET NO. :

PAPER SIZE: A3



# DETAIL A

SCALE: 1 : 10



SHEET CONTENTS :

REVISION NOTES:

PROJECT:  
CONSTRUCTION OF  
CSSD AND STAFF AEA  
AT DR. ABDUL SAMAD  
MEMORIAL HOSPITAL

CLIENT:

MINISTRY OF HEALTH

LOCATION:

GDH, THINADHOO

CONTENTS: AS GIVEN

PROJECT MANAGER:

DESIGNER: ARIZ

CIV/STR. ENGINEER: ISMAIL

SURVEYED BY: -

DRAWN BY: ARIZ

CHECKED BY:

DATE : APRIL 2021

SHEET NO. : /

PAPER SIZE: A3

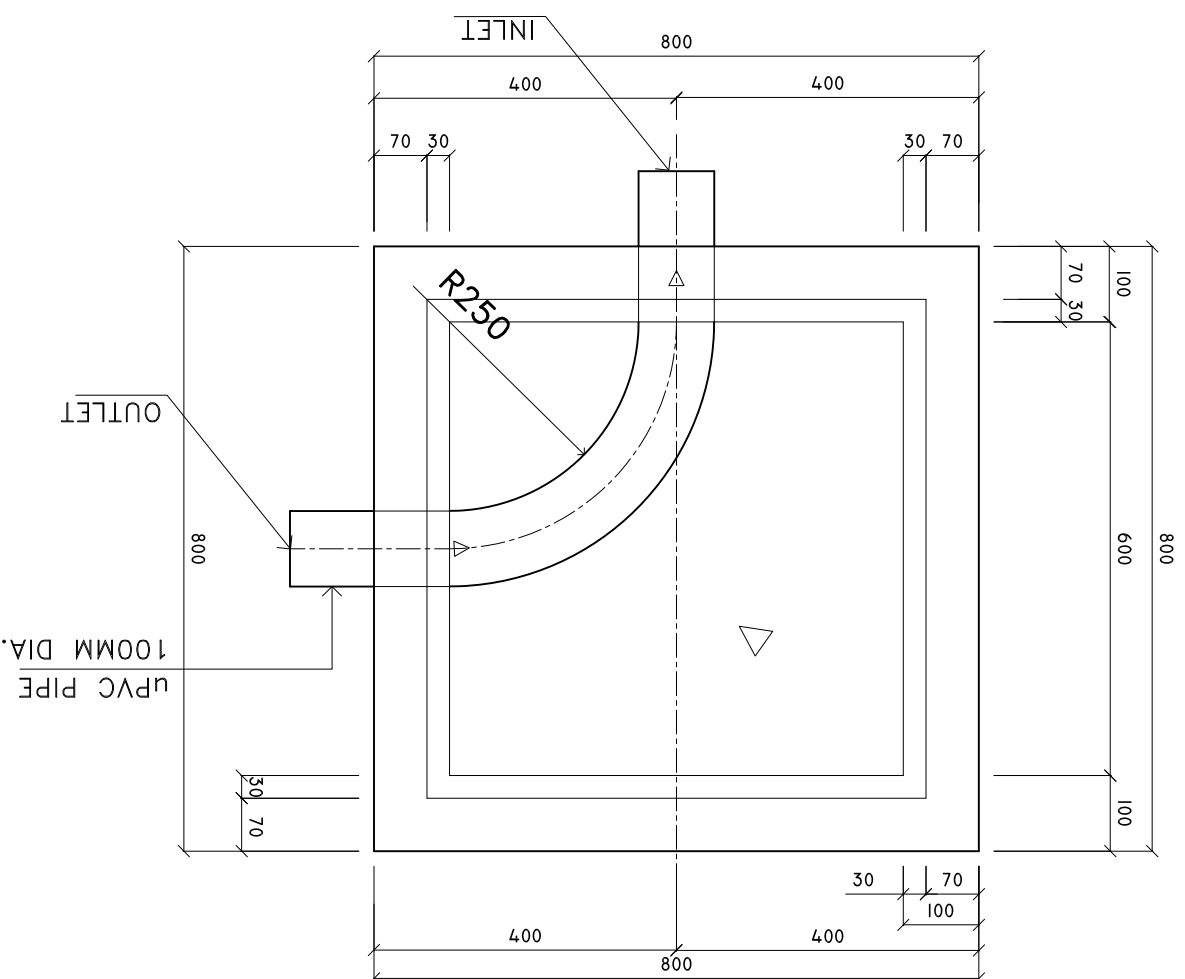




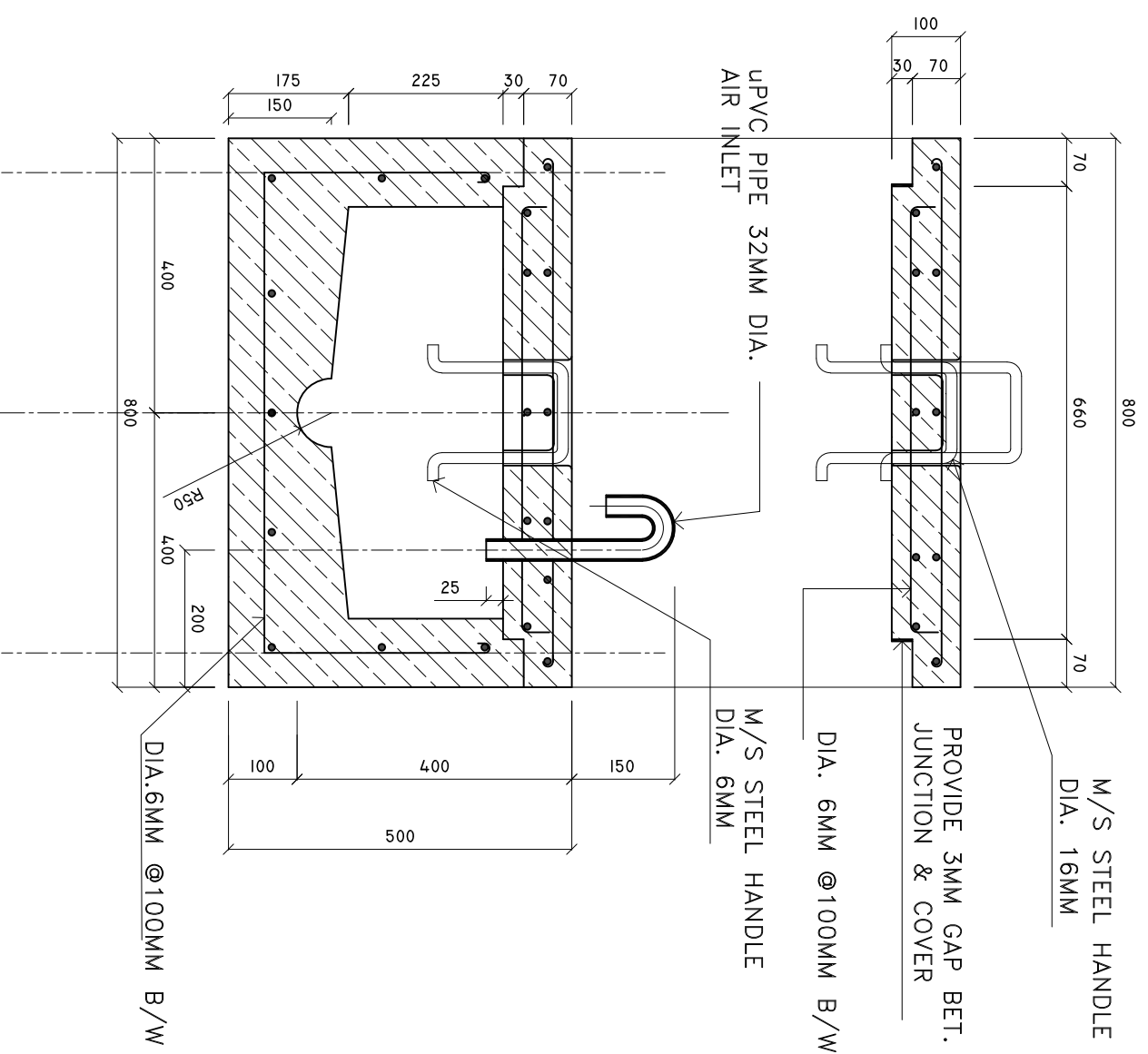
# INSPECTION CHAMBER DETAILS FROM TOILET

SCALE : 1 : 10

**PLAN**



**SECTION X-X**



SHEET CONTENTS :

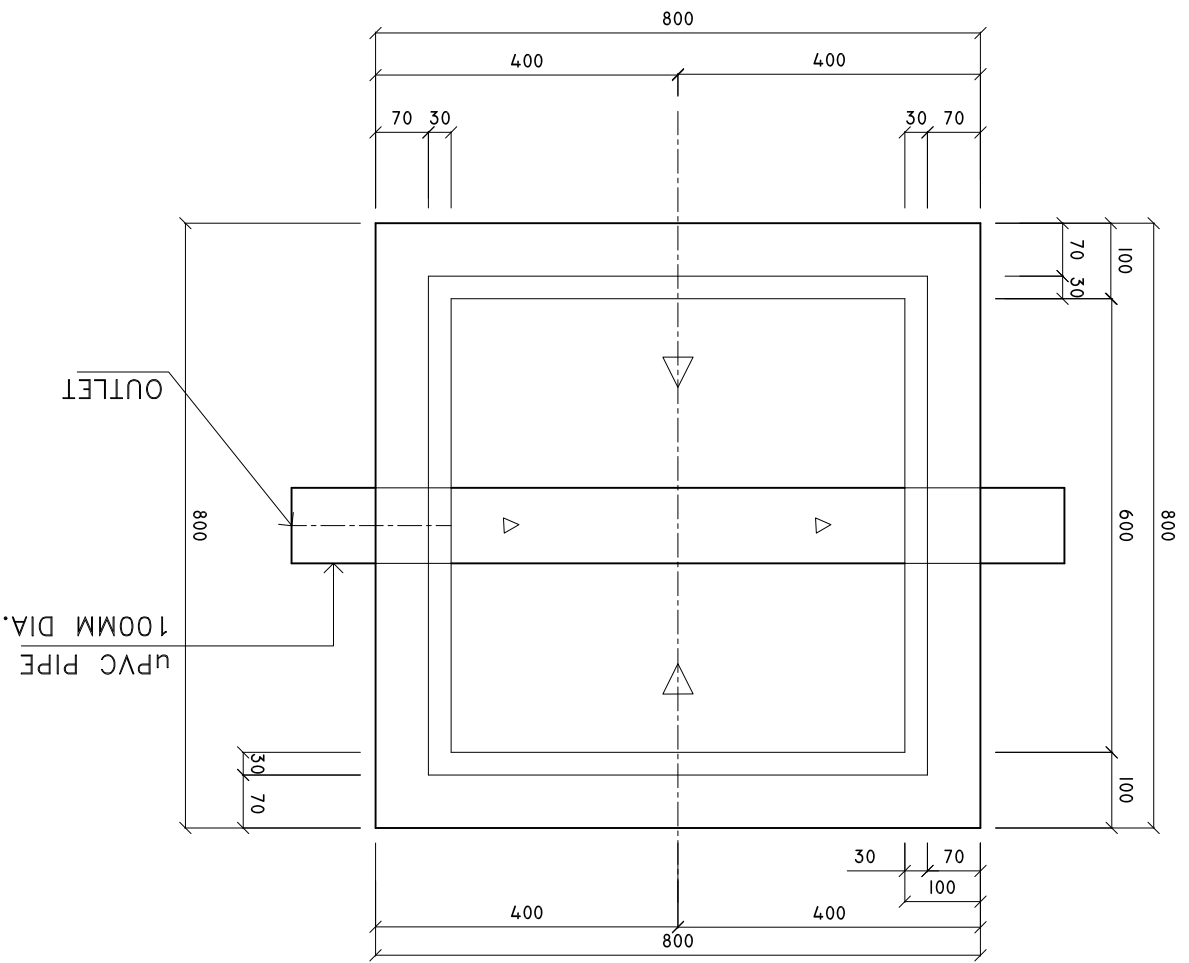
REVISION NOTES:

PROJECT:	CONSTRUCTION OF CSSD AND STAFF AEA AT DR. ABDUL SAMAD MEMORIAL HOSPITAL
CLIENT:	MINISTRY OF HEALTH
LOCATION:	GDH, THINADHOO
CONTENTS:	AS GIVEN
PROJECT MANAGER:	
DESIGNER:	ARIZ
CIV/STR. ENGINEER:	ISMAIL
SURVEYED BY:	-
DRAWN BY:	ARIZ
CHECKED BY:	
DATE :	APRIL 2021
SHEET NO. :	/
PAPER SIZE:	A3

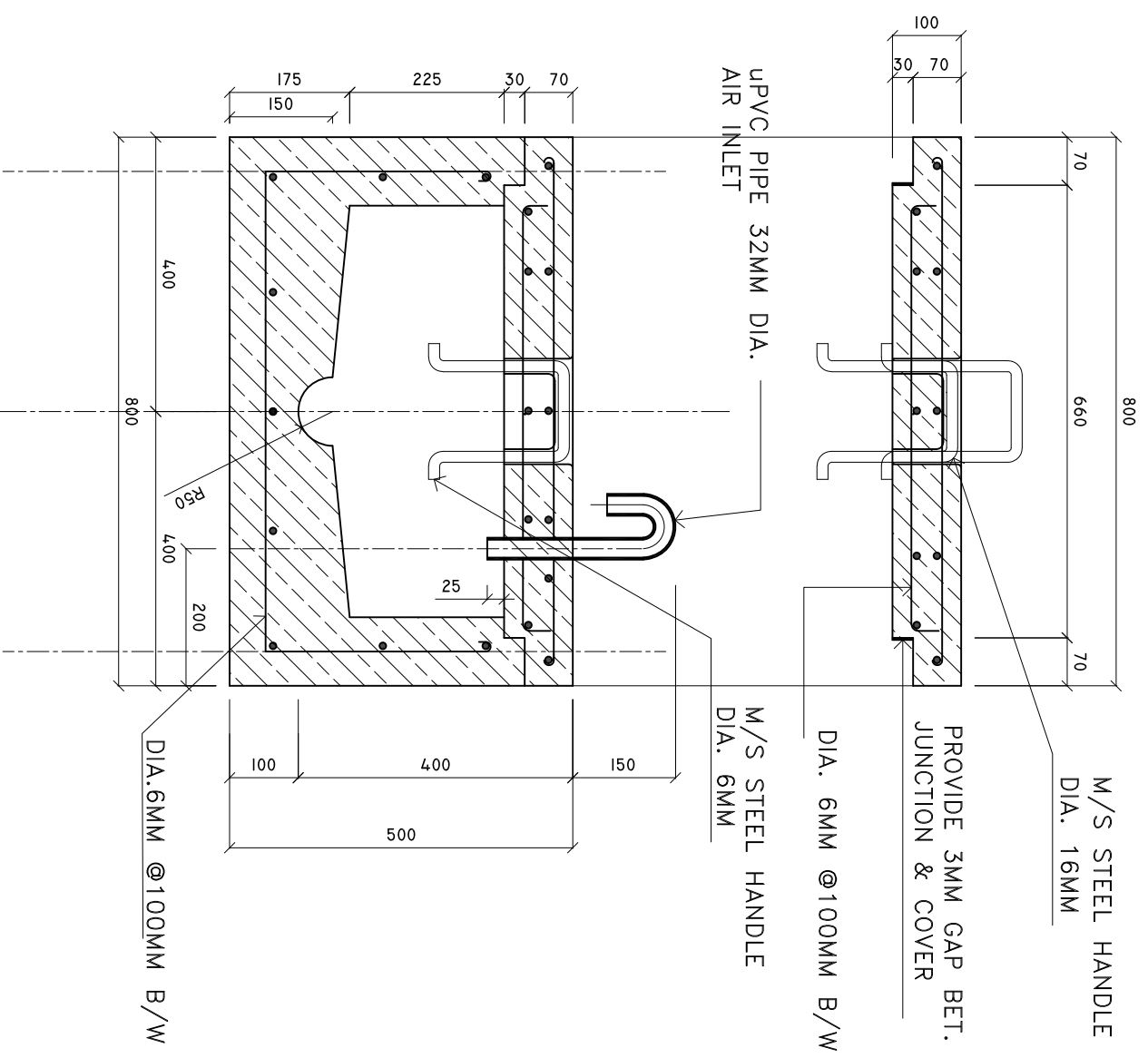
# INSPECTION CHAMBER DETAILS FROM TOILET

SCALE : 1 : 10

**PLAN**



**SECTION X-X**



SHEET CONTENTS :

REVISION NOTES:

PROJECT:  
CONSTRUCTION OF  
CSSD AND STAFF AEA  
AT DR. ABDUL SAMAD  
MEMORIAL HOSPITAL

CLIENT:  
MINISTRY OF HEALTH

LOCATION:  
GDH, THINADHOO

CONTENTS: AS GIVEN

PROJECT MANAGER:

DESIGNER: ARIZ

CIV/STR. ENGINEER: ISMAIL

SURVEYED BY: -

DRAWN BY: ARIZ

CHECKED BY:

DATE : APRIL 2021

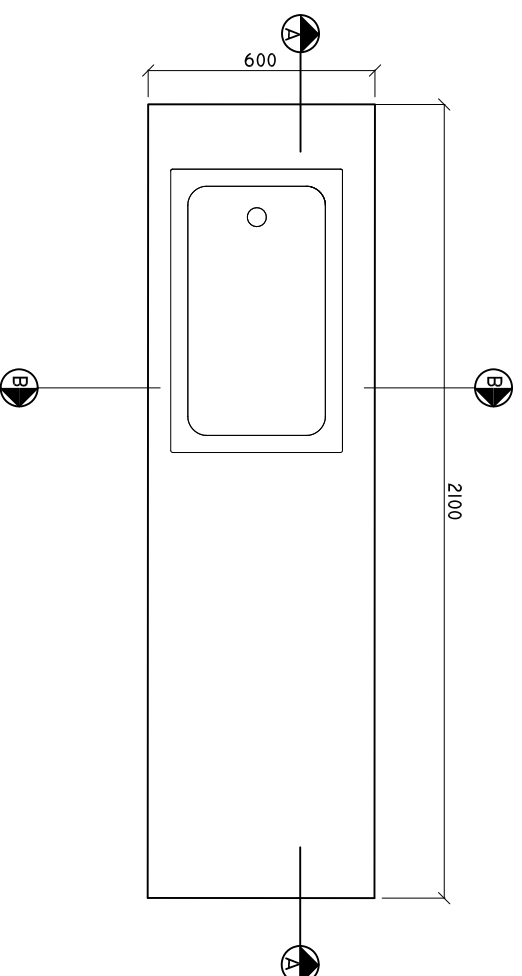
SHEET NO. : /

PAPER SIZE: A3



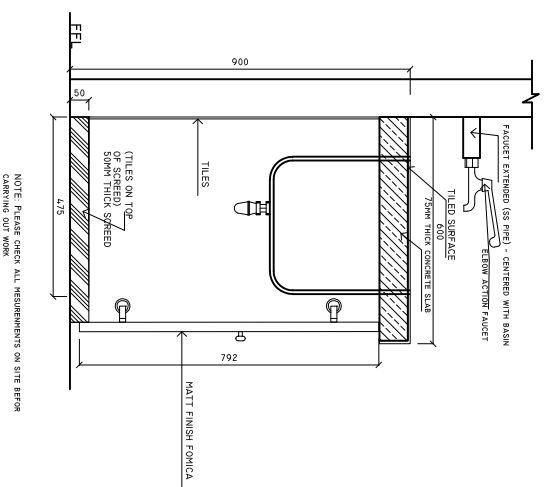


## DENTAL DEPARTMENT SINK CUPBOARD



NOTE: PLEASE CHECK ALL MEASUREMENTS ON SITE BEFORE CARRYING OUT WORK

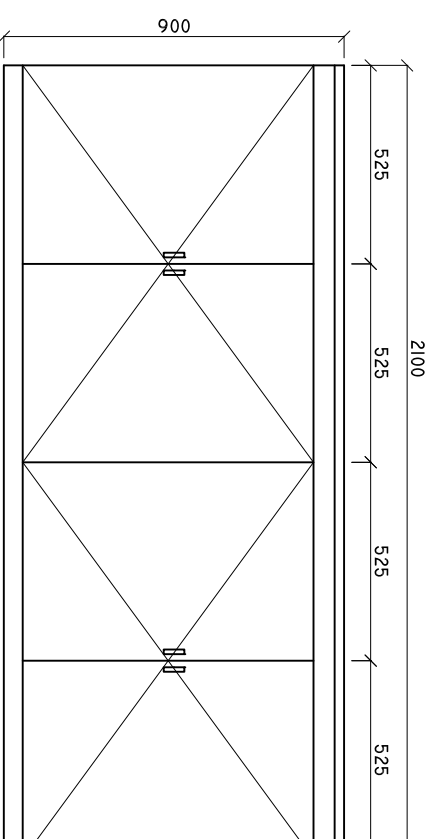
### SINK CUPBOARD SECTION A-A SCALE: 1 : 20



NOTE: PLEASE CHECK ALL MEASUREMENTS ON SITE BEFORE CARRYING OUT WORK

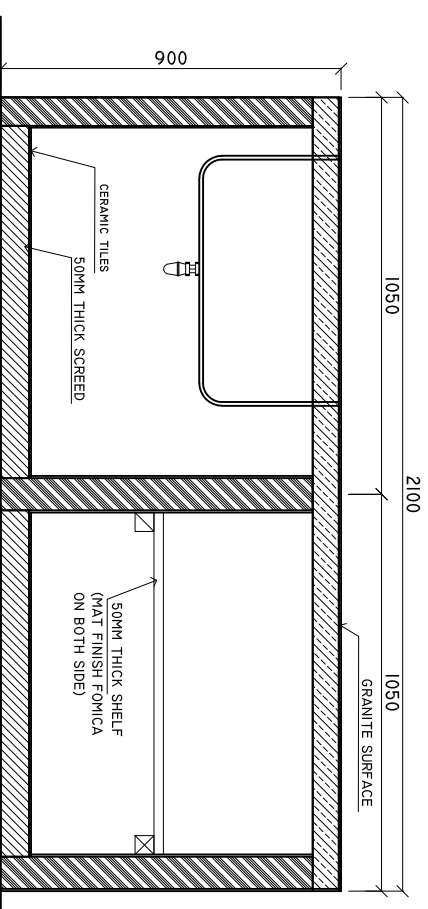
### SINK CUPBOARD DETAIL B-B

SCALE: 1 : 20



NOTE: PLEASE CHECK ALL MEASUREMENTS ON SITE BEFORE CARRYING OUT WORK

### SINK CUPBOARD ELEVATION SCALE: 1 : 20



NOTE: PLEASE CHECK ALL MEASUREMENTS ON SITE BEFORE CARRYING OUT WORK

### SINK CUPBOARD DETAIL A-A SCALE: 1 : 20

SHEET CONTENTS :

REVISION NOTES:

PROJECT:  
CONSTRUCTION OF  
CSSD AND STAFF AEA  
AT DR. ABDUL SAMAD  
MEMORIAL HOSPITAL

CLIENT:

MINISTRY OF HEALTH

LOCATION:

GDH, THINADHOO

CONTENTS: AS GIVEN

PROJECT MANAGER:

DESIGNER: ARIZ

CIV/STR. ENGINEER: ISMAIL

SURVEYED BY: -

DRAWN BY: ARIZ

CHECKED BY:

DATE : APRIL 2021

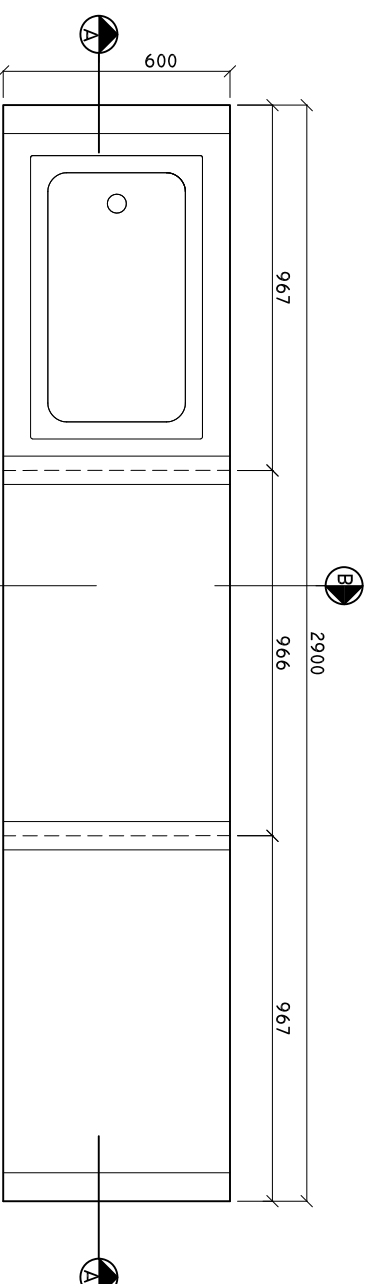
SHEET NO. : /

PAPER SIZE: A3



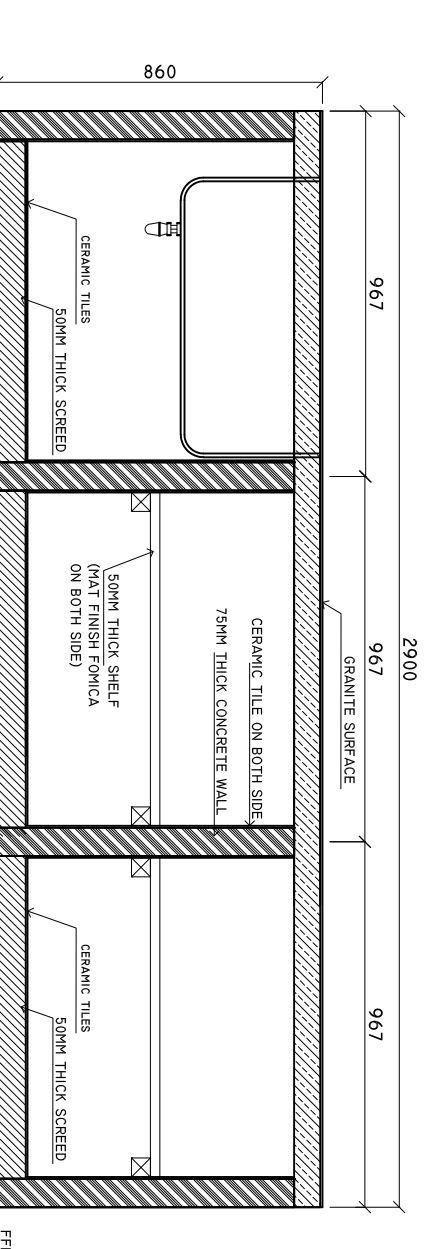
ADMIN DIVISION  
Ministry of Health  
Roshanara Building  
Soan Marg  
Tel: 332 8887, Fax: 332 8889

**SINK CUPBOARD  
PLAN  
SCALE: 1 : 20**



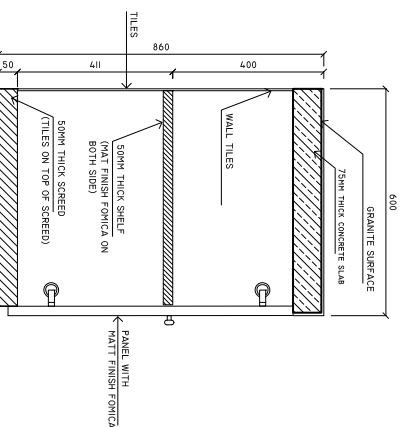
NOTE: PLEASE CHECK ALL MEASUREMENTS ON SITE BEFORE CARRYING OUT WORK

**SINK CUPBOARD SECTION A-A  
SCALE: 1 : 20**

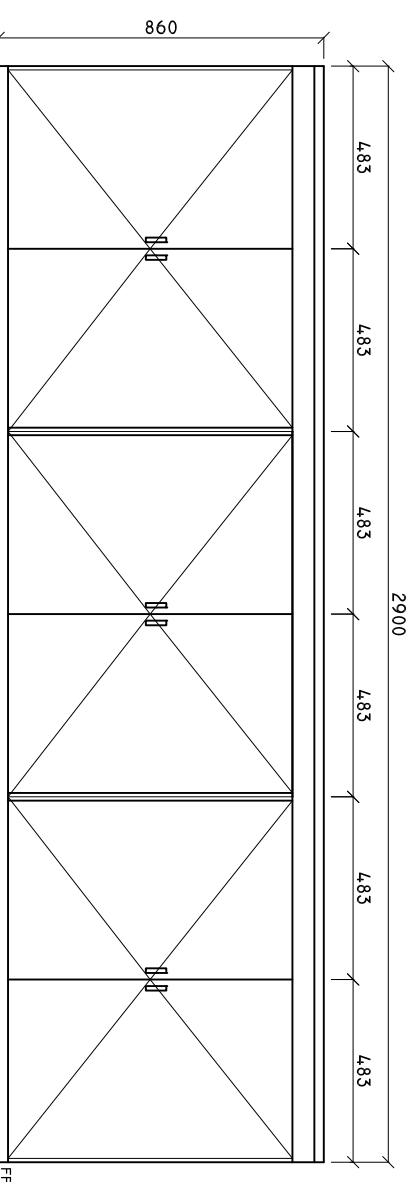


NOTE: PLEASE CHECK ALL MEASUREMENTS ON SITE BEFORE CARRYING OUT WORK

**SINK CUPBOARD  
DETAIL E-E  
SCALE: 1 : 20**



NOTE: PLEASE CHECK ALL MEASUREMENTS ON SITE BEFORE CARRYING OUT WORK



SHEET CONTENTS :

REVISION NOTES:

PROJECT:  
CONSTRUCTION OF  
CSSD AND STAFF AEA  
AT DR. ABDUL SAMAD  
MEMORIAL HOSPITAL

CLIENT:

MINISTRY OF HEALTH

LOCATION:

GDH, THINADHOO

CONTENTS: AS GIVEN

PROJECT MANAGER:

DESIGNER: ARIZ

CIV/STR. ENGINEER: ISMAIL

SURVEYED BY: -

DRAWN BY: ARIZ

CHECKED BY:

DATE : APRIL 2021

SHEET NO. : /

PAPER SIZE: A3



ADMIN DIVISION  
Ministry of Health  
Roshanra Building  
Sasun Marga  
Tel: 332 8887, Fax: 332 8889