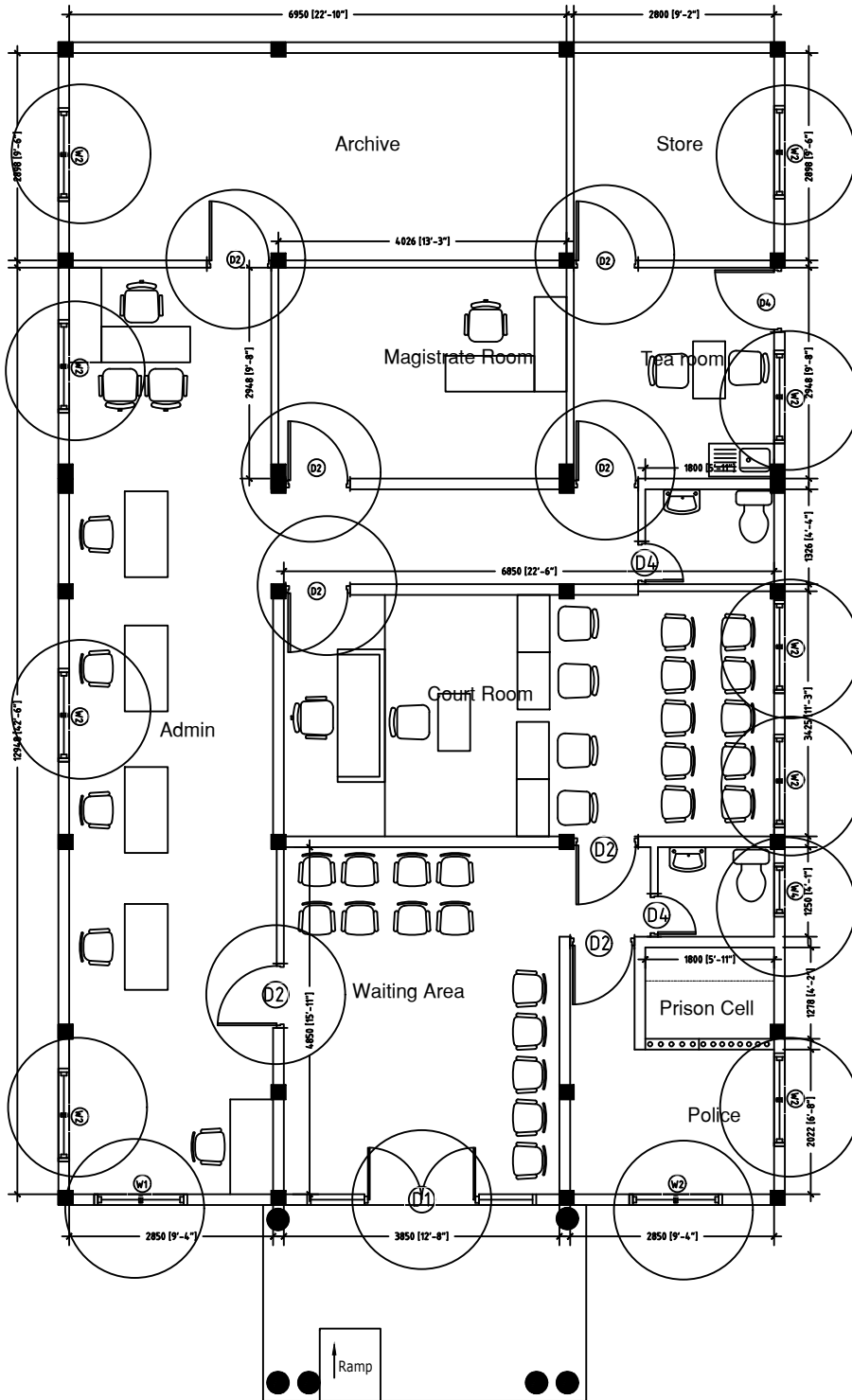
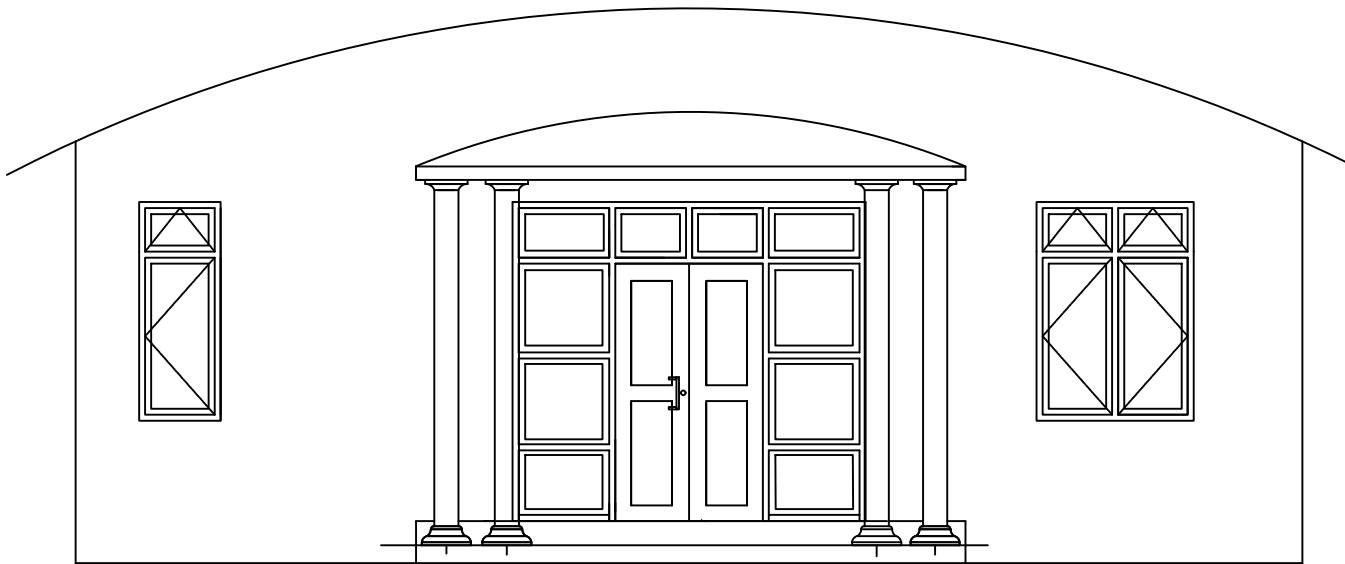


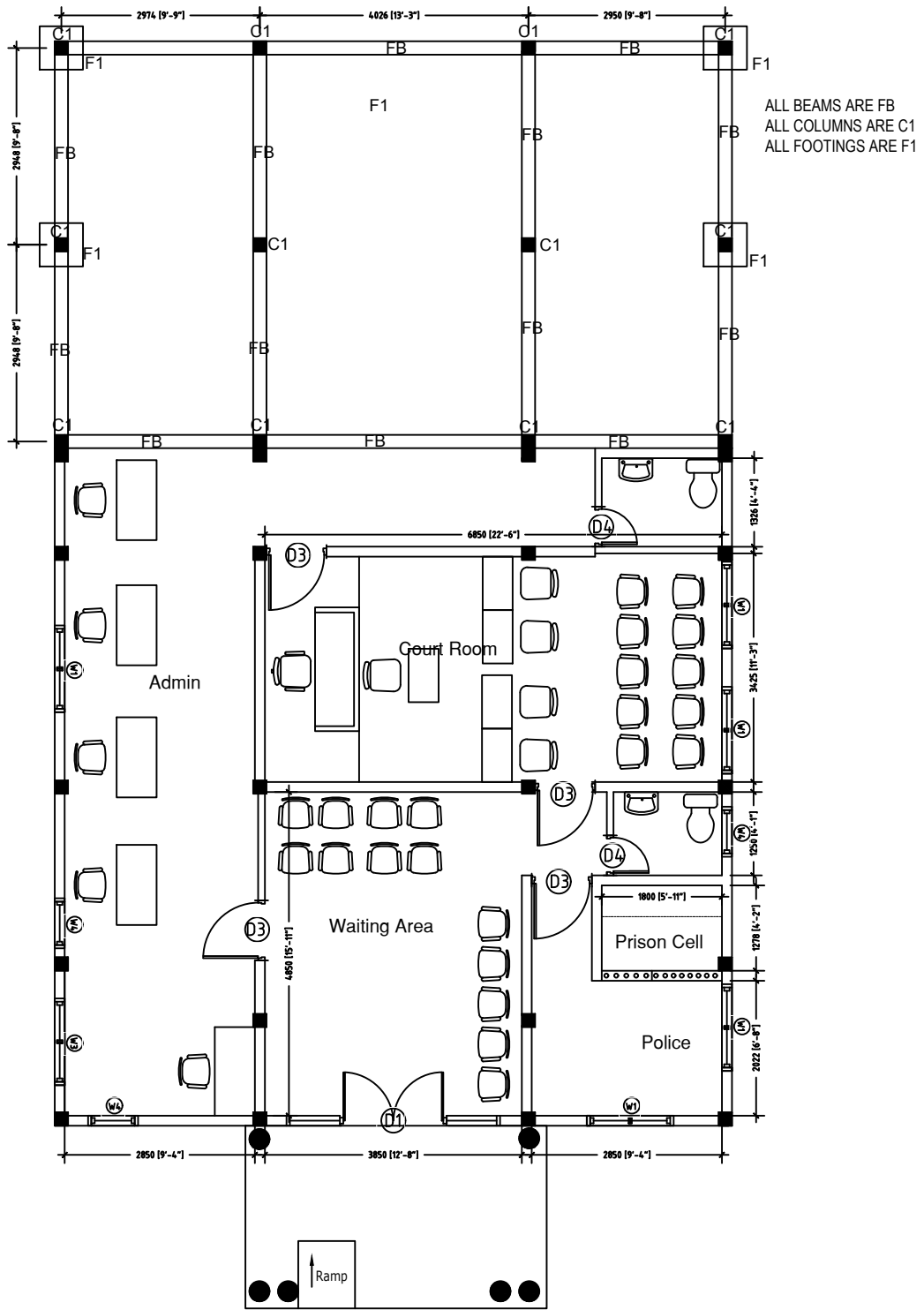
SITE PLAN



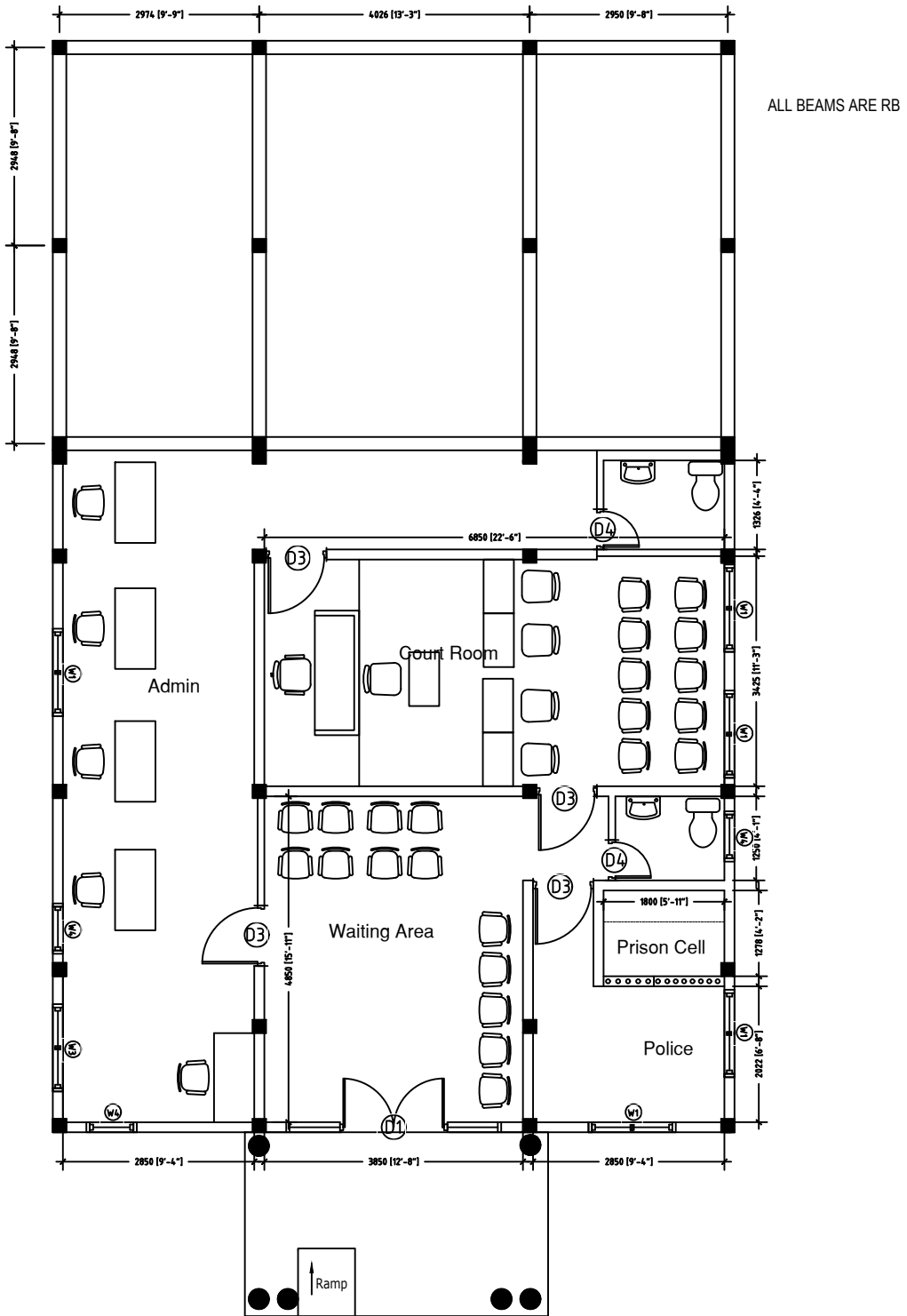
FLOOR PLAN



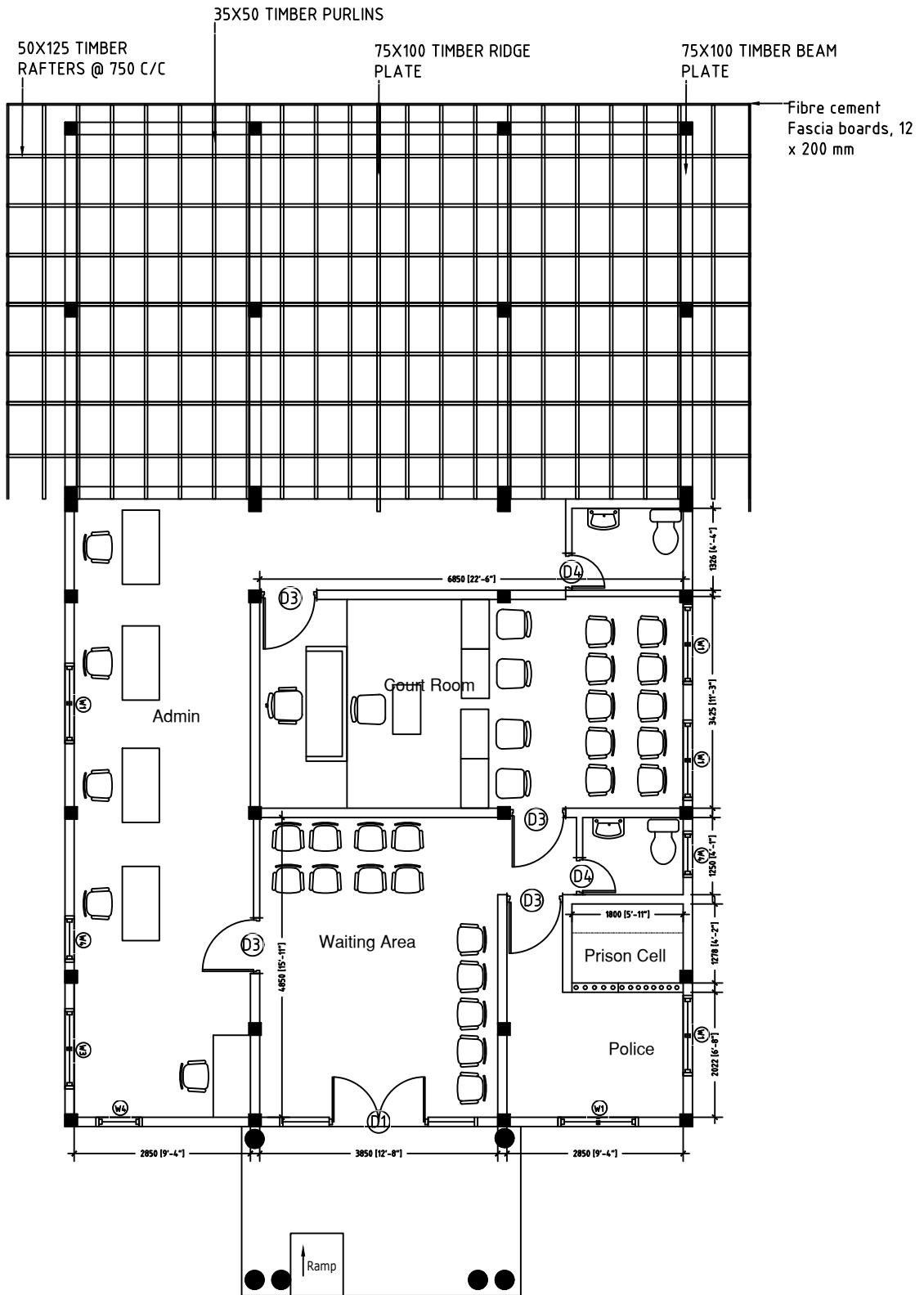
FRONT ELEVATION
(Proposed)



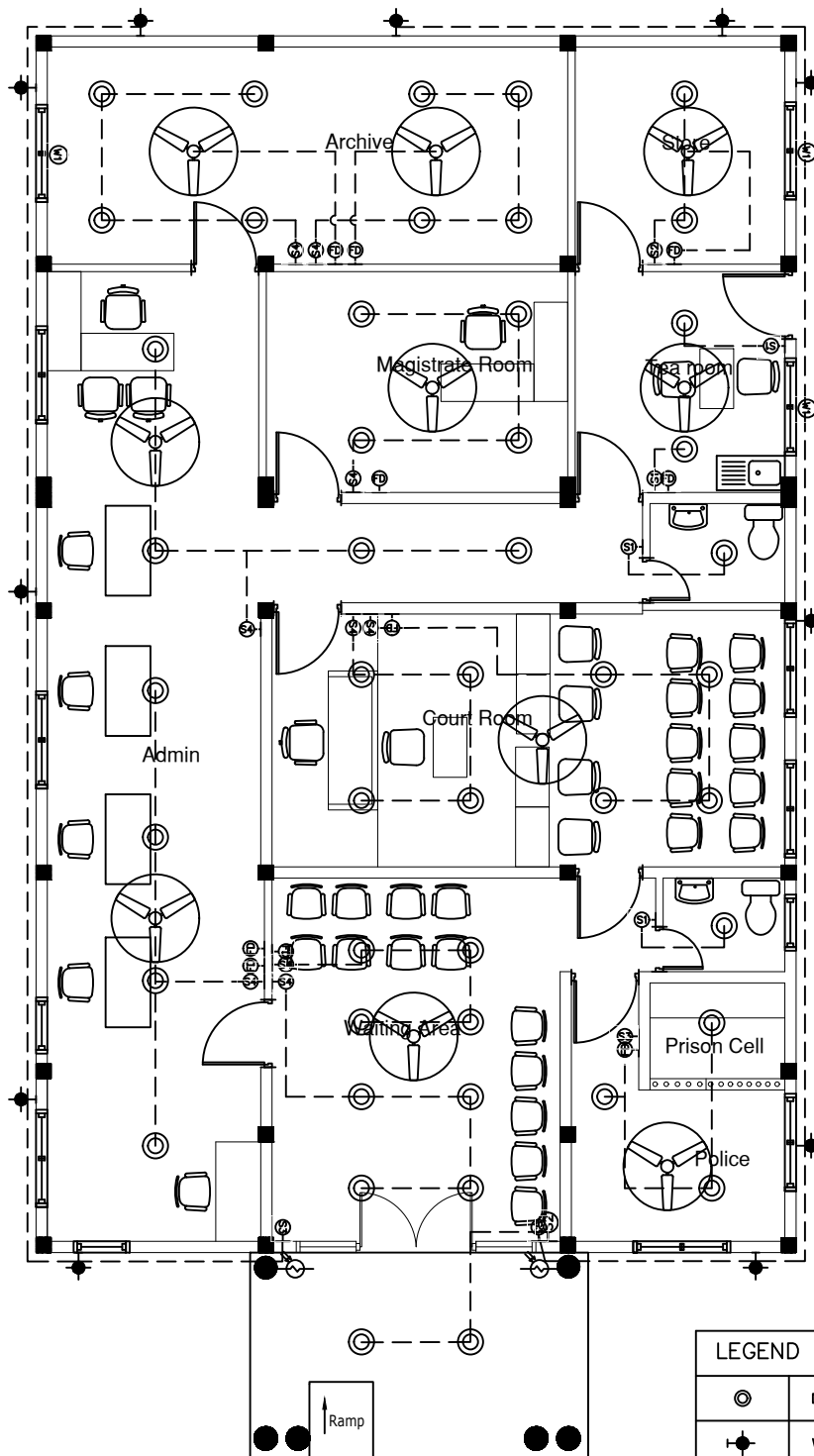
FOUNDATION PLAN



ROOF BEAM PLAN



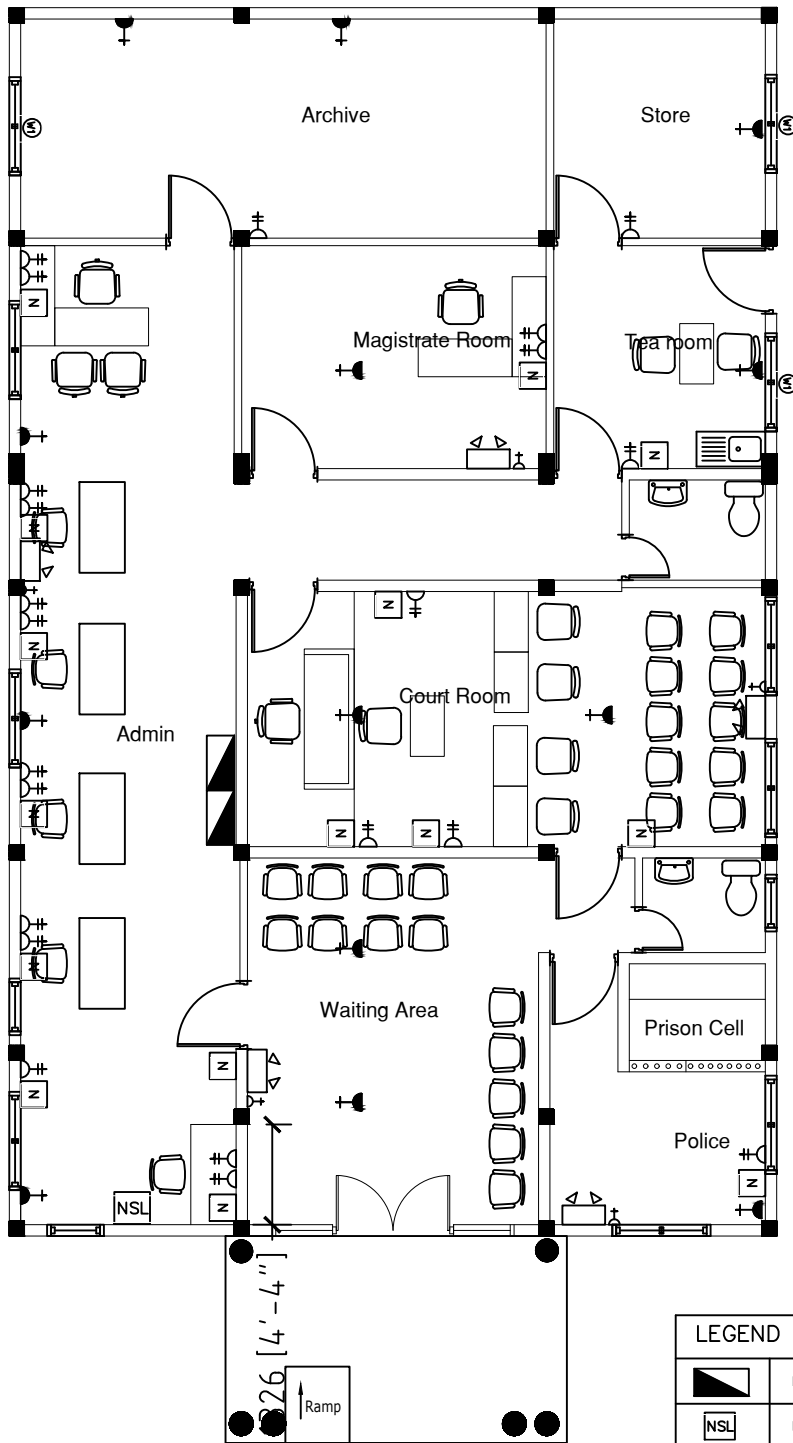
ROOF STRUCTURE



ELECTRICAL LIGHTING LAYOUT
Scale 1:100

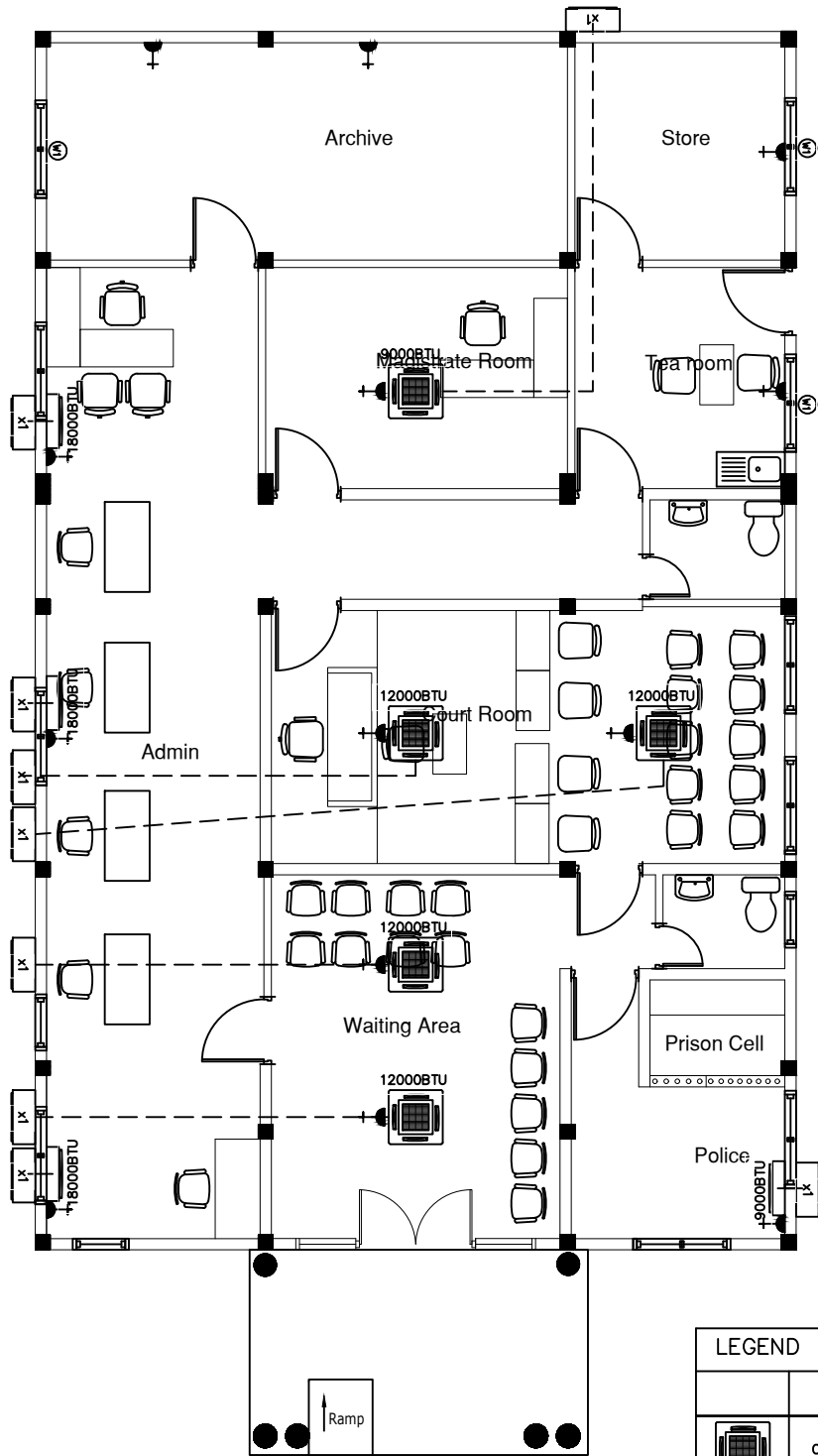
LEGEND	
⊙	DOWN LIGHTS C/W 24W LED LIGHTS
⊙	WALL LIGHT BULB (WEATHERPROOF)
⊙	CEILING FAN (1.3M DIAMETER)
⊙	ONE GANG SWITCH
⊙	TWO GANG SWITCH
⊙	THREE GANG SWITCH
⊙	FOUR GANG SWITCH
⊙	FAN DIMMER
⊙	PHOTOCELL SWITCH


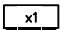

NOTE: ALL SWITCHES ⊙ 1.2 FROM FFL
ALL THE OUTDOOR LIGHTS ARE CONTROL BY PHOTOCELL SWITCH



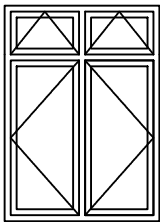
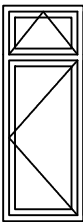
ELECTRICAL SOCKET LAYOUT
Scale 1:100

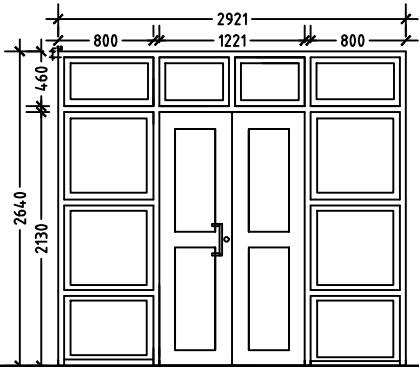
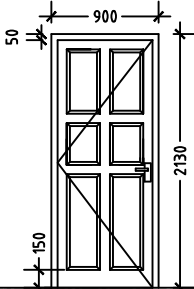
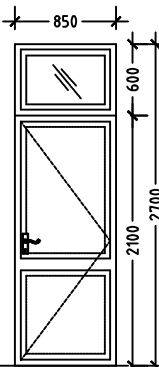
LEGEND	
	DISTRIBUTION BOARD
	NETWORK SWITCH LOCATION
	1 x 13A SOCKET OUTLET
	2 x 13A SOCKET OUTLET
	NETWORK OUTLET
	EMERGENCY LIGHT TWO HOUR WITH 13A SOCKET OUTLET
	1 x 15A SOCKET OUTLET



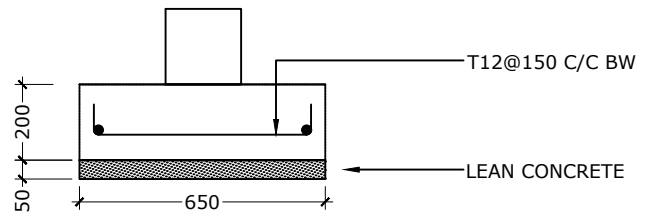
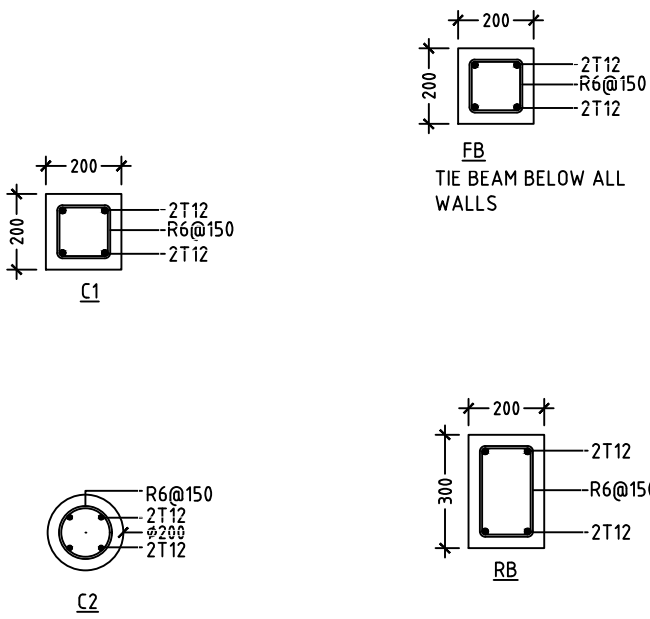
LEGEND	
	CEILING MOUNT AC INDOOR UNIT
	OUTDOOR UNIT
	WALL MOUNT AC INDOOR UNIT

AIR- CONDITION LAYOUT
Scale 1:100

		(W2)	(W1)
			
	FFL		
SPEC	Glazing	6mm tintin glass with 6mm thik grill	6mm tintin glass with 6mm thik grill
	Frame	Aluminium	Aluminium
	SIZE	1925 x 1810	1300 x 1810
	QUANTITY	09	03

		(D1)	(D2)	(D4)
				
	FFL			
SPEC	Glazing	6mm tintin glass with 6mm thik grill	Solid timber	6mm tinted glass with 6mm thick grill
	Frame	Aluminium	timber frame	Aluminium
	SIZE	1321 x 2640	900 x 2100	850 x 2750
	QUANTITY	01	8	01

DOOR & WINDOW SCHEDULE



FOOTING DETAIL

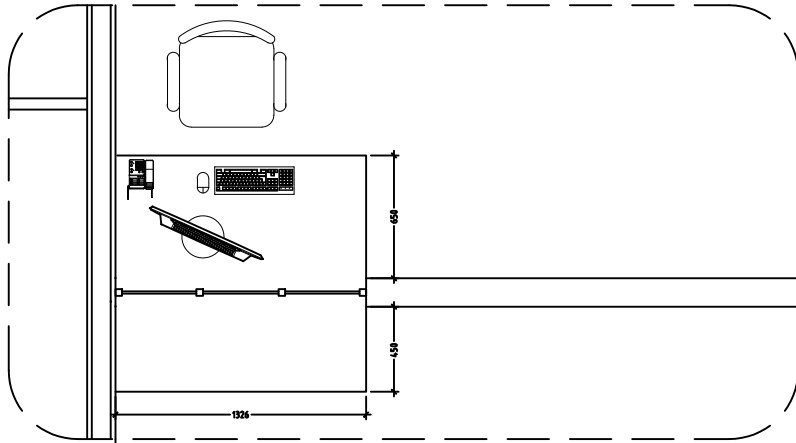
SCALE 1:20

NOTES:

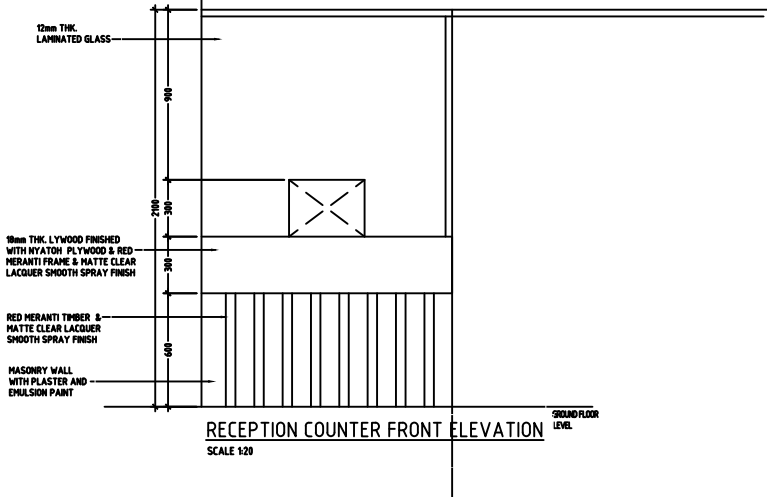
- STRUCTURAL CONCRETE IS OF 25MPa
- PROVIDE 40mm COVER FOR ALL COLUMN REBARS
- PROVIDE 40mm COVER FOR ALL FOOTING REBARS

STRUCTURAL DETAILS

SCALE 1:20



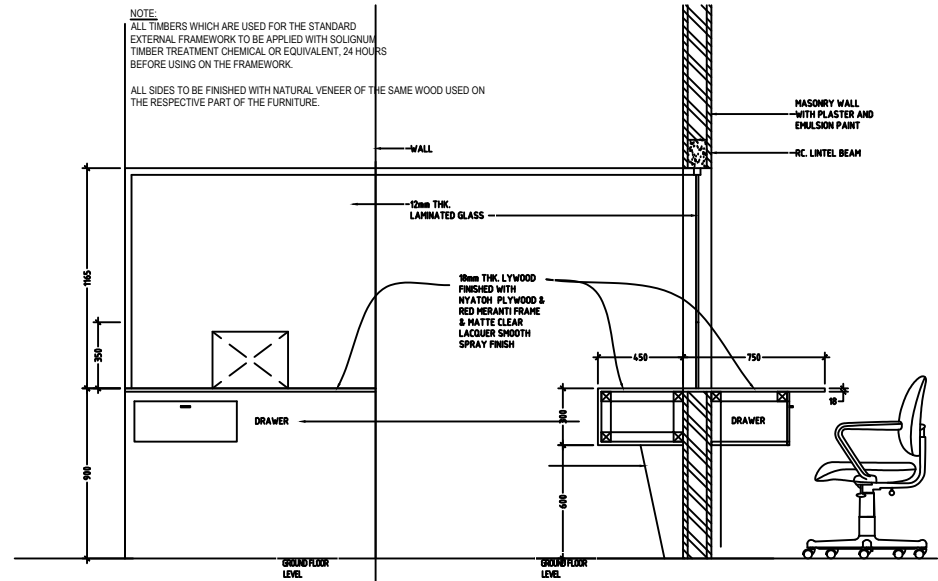
RECEPTION COUNTER PLAN
SCALE 1:20



RECEPTION COUNTER FRONT ELEVATION
SCALE 1:20

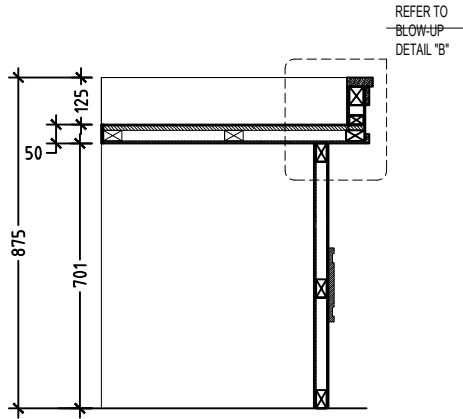
NOTE:
ALL TIMBERS WHICH ARE USED FOR THE STANDARD EXTERNAL FRAMEWORK TO BE APPLIED WITH SOLIGNUM TIMBER TREATMENT CHEMICAL OR EQUIVALENT, 24 HOURS BEFORE USING ON THE FRAMEWORK.

ALL SIDES TO BE FINISHED WITH NATURAL VENEER OF THE SAME WOOD USED ON THE RESPECTIVE PART OF THE FURNITURE.

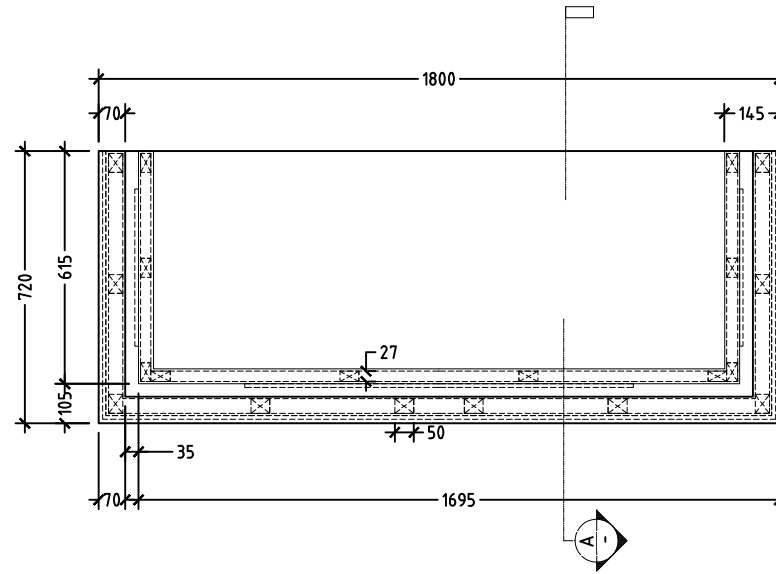


RECEPTION COUNTER REAR ELEVATION
SCALE 1:20

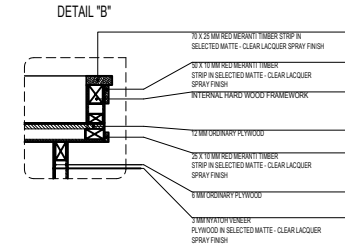
RECEPTION COUNTER SECTION
SCALE 1:20



SECTION

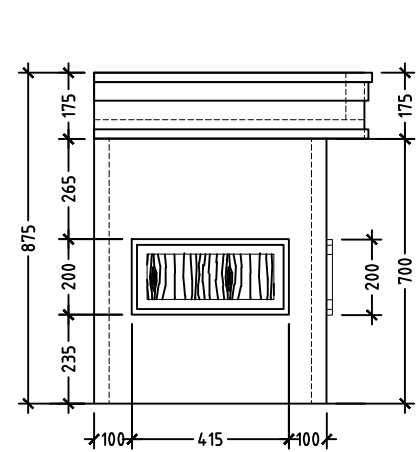


PLAN VIEW

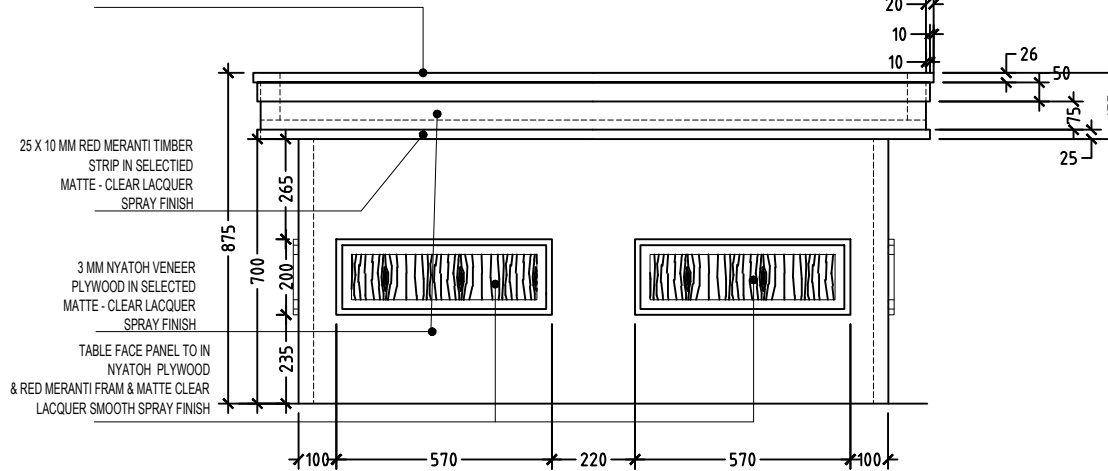


70 X 25 MM RED MERANTI TIMBER STRIP IN SELECTED MATTE - CLEAR LACQUER SPRAY FINISH

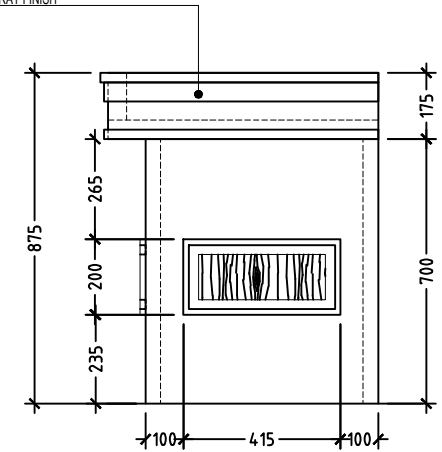
50 X 10 MM RED MERANTI TIMBER STRIP IN SELECTED MATTE - CLEAR LACQUER SPRAY FINISH



LEFT SIDE ELEVATION



FRONT ELEVATION



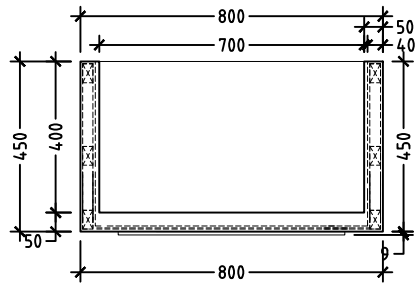
RIGHT SIDE ELEVATION

JUDGE PANEL TABLE TABLE DETAILS

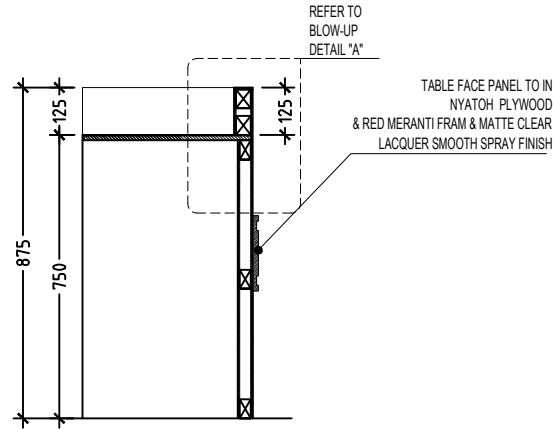
NOTE:

ALL TIMBERS WHICH ARE USED FOR THE STANDARD EXTERNAL FRAMEWORK TO BE APPLIED WITH SOLIGNUM TIMBER TREATMENT CHEMICAL OR EQUIVALENT, 24 HOURS BEFORE USING ON THE FRAMEWORK.

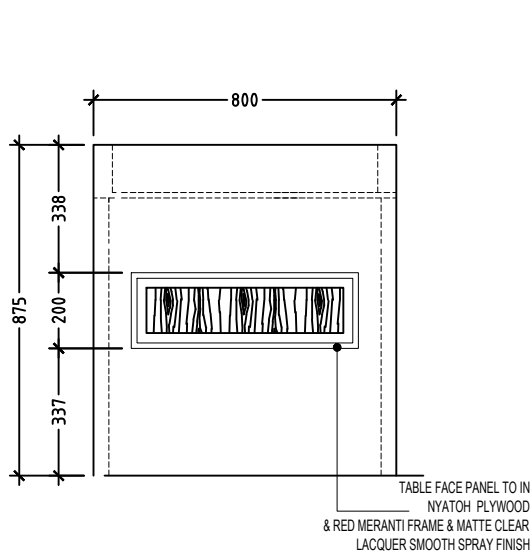
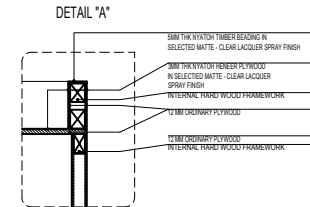
ALL SIDES TO BE FINISHED WITH NATURAL VENEER OF THE SAME WOOD USED ON THE RESPECTIVE PART OF THE FURNITURE.



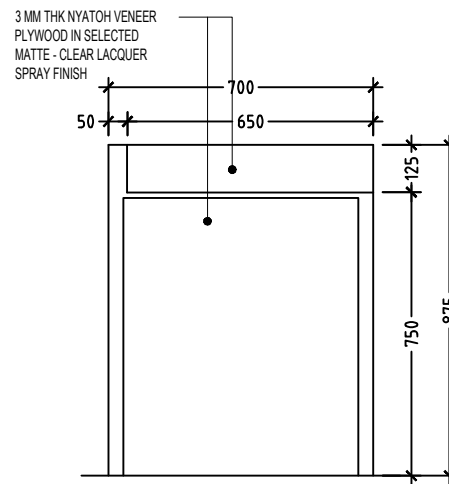
PLAN VIEW



SECTION



FRONT ELEVATION



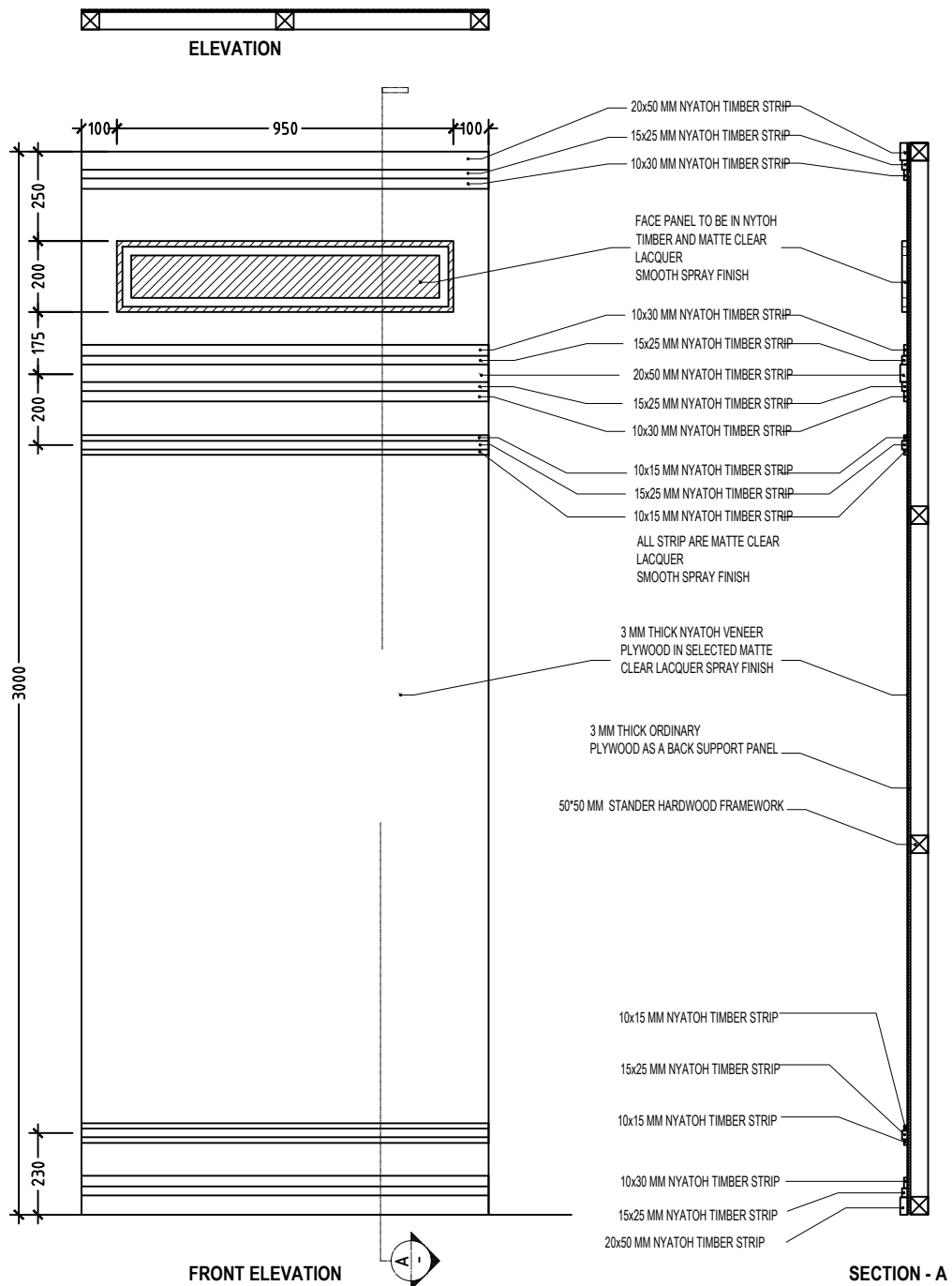
REAR ELEVATION

NOTE:

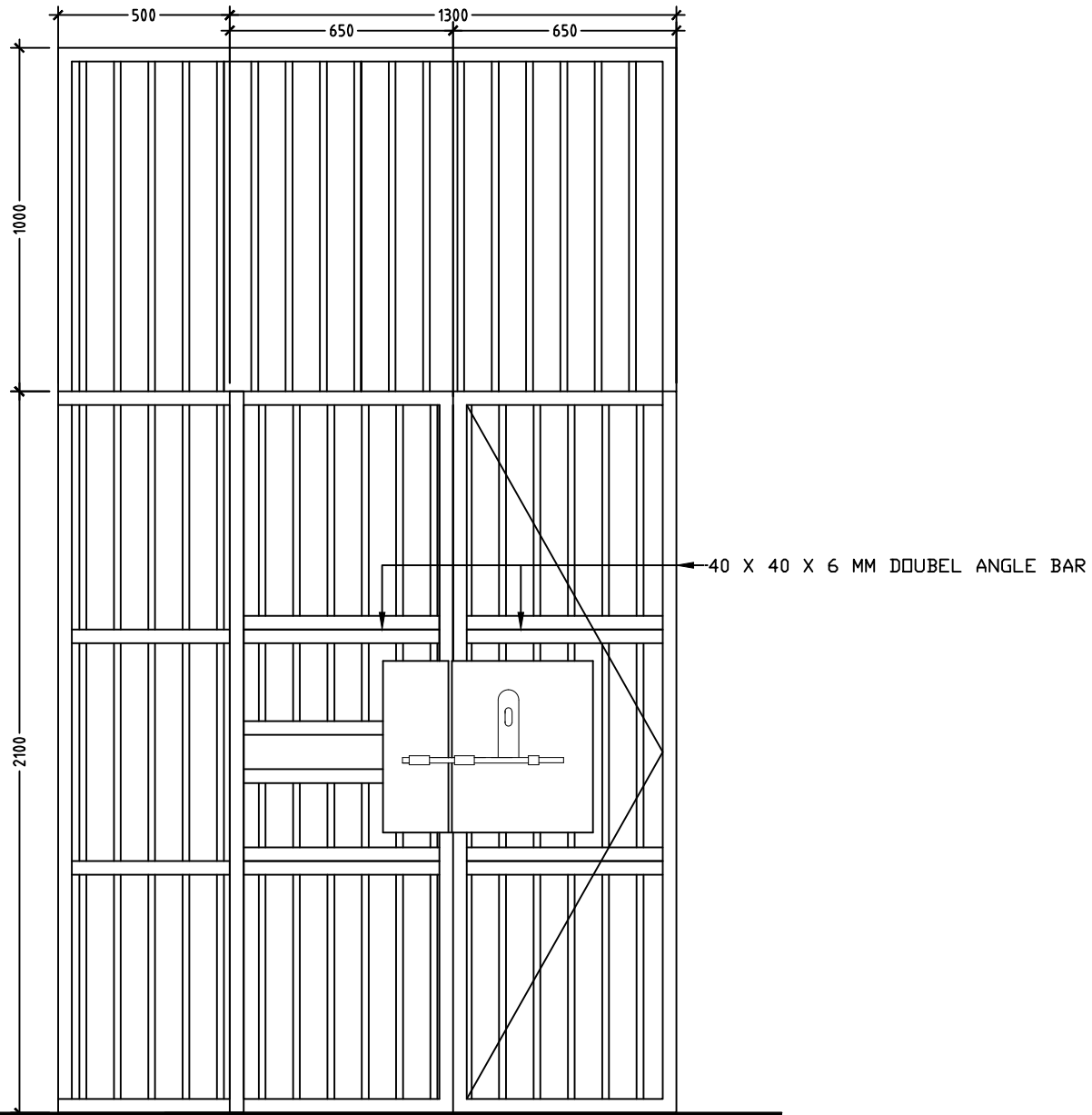
ALL TIMBERS WHICH ARE USED FOR THE STANDARD EXTERNAL FRAMEWORK TO BE APPLIED WITH SOLIGNUM TIMBER TREATMENT CHEMICAL OR EQUIVALENT, 24 HOURS BEFORE USING ON THE FRAMEWORK.

ALL SIDES TO BE FINISHED WITH NATURAL VENEER OF THE SAME WOOD USED ON THE RESPECTIVE PART OF THE FURNITURE.

REGISTRARS'/LAWYER'S/WITNESS' TABLE
TABLE DETAILS



COURT ROOM BACK PANELS & STAGE DETAILS



16mm DIA TOR STEEL BAR GRILL
 BAR AT 100mm ON CENTER
 USE 40 X 40 GI SQUIRE SECTIONS
 PROVISION FOR TWO LOCKS AT TWO LEVELS

16mm DIA TOR STEEL BAR GRILL DOOR
 BAR AT 100mm ON CENTER
 USE 40 X 40 X6 ANGLE BAR
 PROVISION FOR TWO LOCKS AT TWO LEVELS

CELL STRUCTURAL DETAILS
 SCALE 1:20