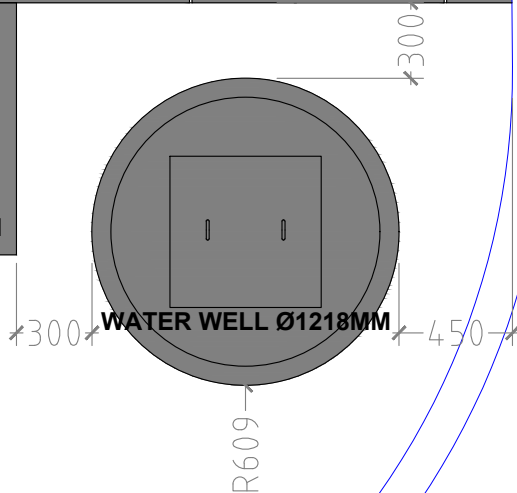
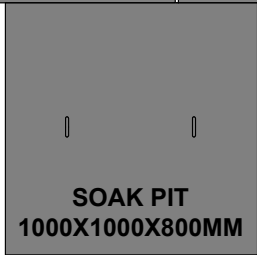
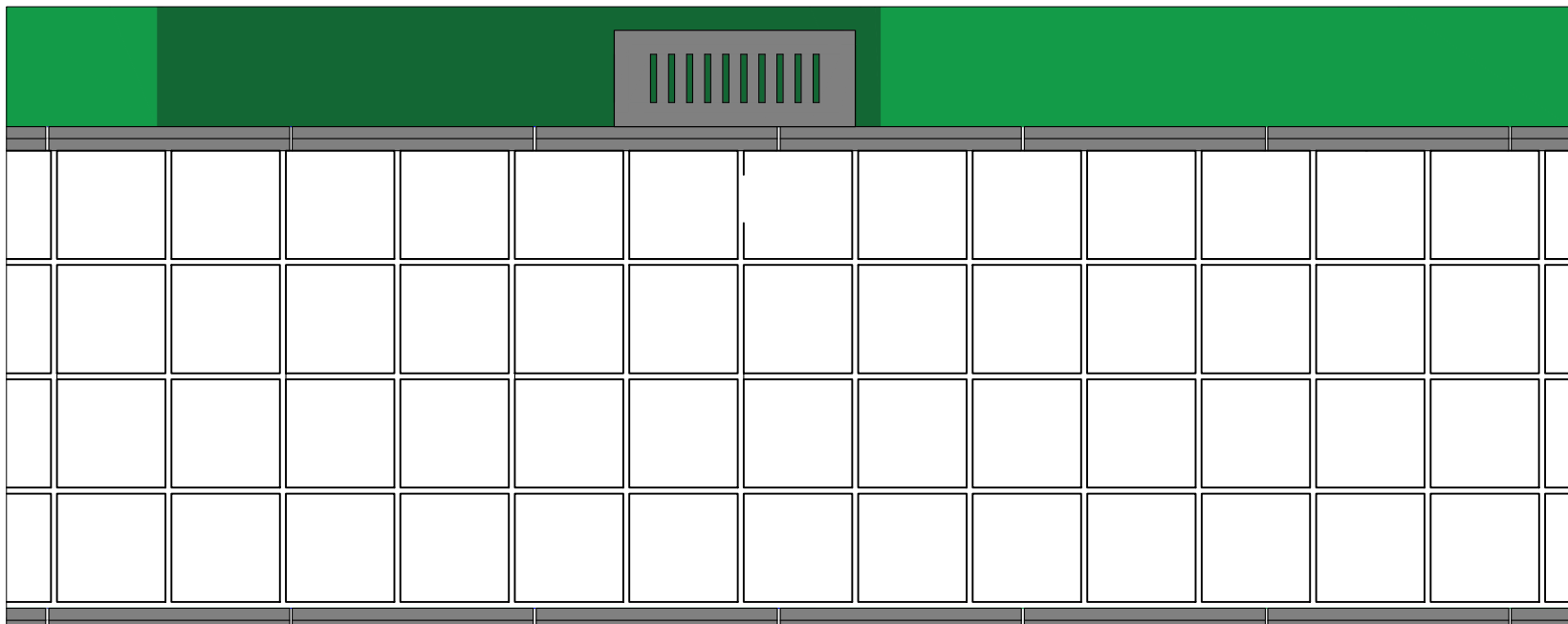


FUTSAL PITCH PLAN

SCALE: 1:200

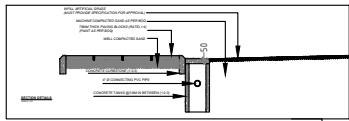


PLAN VIEW - WELL & SOAK PIT
Scale - 1:30

2000

0.8% SLOPE

0.8% SLOPE



SECTION VIEW

Scale 1:125

INFILL ARTIFICIAL GRASS
(MUST PROVIDE SPECIFICATION FOR APPROVAL)

MACHINE COMPACTED SAND AS PER BOQ

75MM THICK PAVING BLOCKS (RATIO, 1:4)
(PAINT AS PER BOQ)

WELL COMPACTED SAND

CONCRETE CURBSTONE (1:2:3)

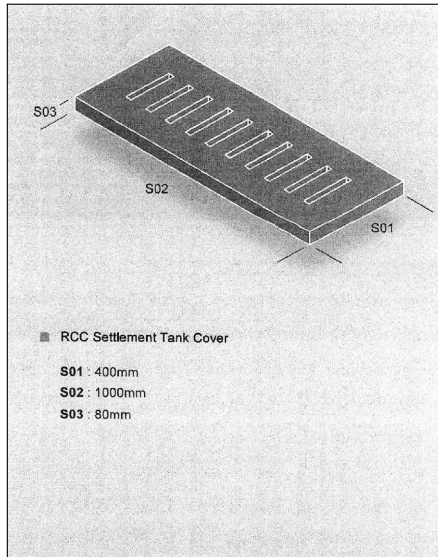
4" Ø CONNECTING PVC PIPE

CONCRETE TANKS @5.8M IN BETWEEN (1:2:3)

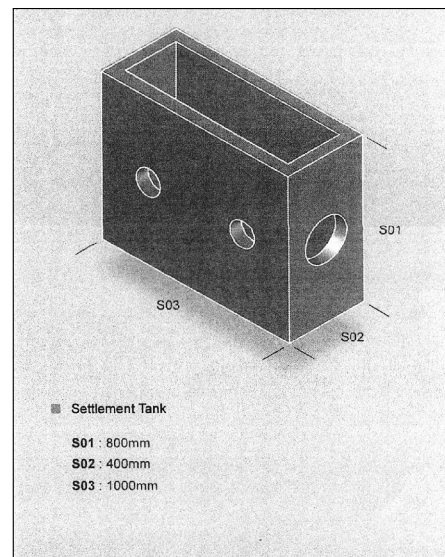
50

SECTION DETAILS

SCALE 1:20



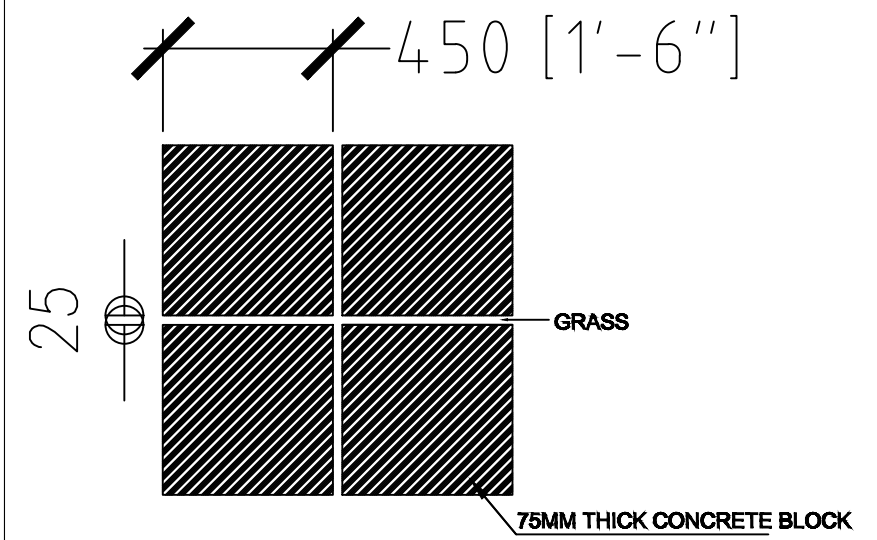
TYPE: SOLID RCC SETTLEMENT TANK
 SIZE: 1000MMX400MMX80MM AND 60MM THICKNESS
 COMPOSITION: CEMENT, RIVER SAND, AGGREGATES
 RATIO: 1:2:3
 STRENGTH: AVERAGE 13.6n/MM2



TYPE: PCC SETTLEMENT TANK COVER
 SIZE: 1000MMX400MM AND 80MM THICKNESS
 COMPOSITION: CEMENT, RIVER SAND, AGGREGATES
 RATIO: 1:2:3
 REINFORCEMENT: SINGLE NET WITH Ø10MM BAR
 STRENGTH: AVERAGE 19n/MM2

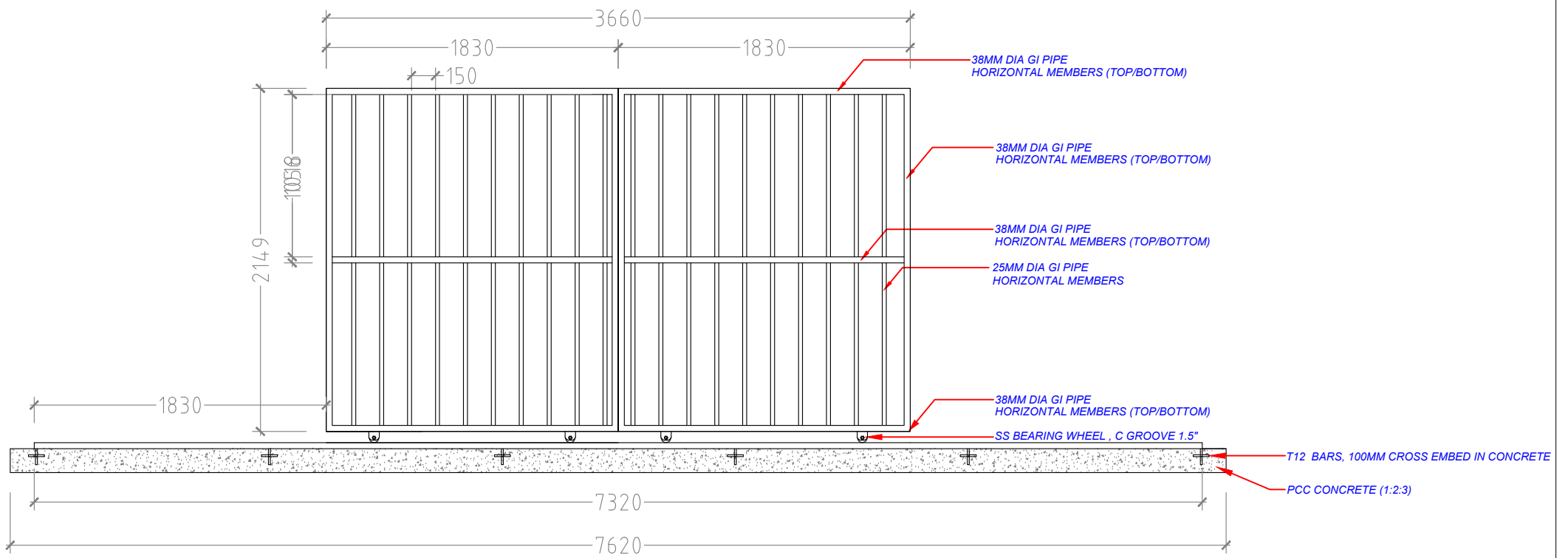
DETAILS - SETTLEMENT TANK & COVER

Scale 1:20

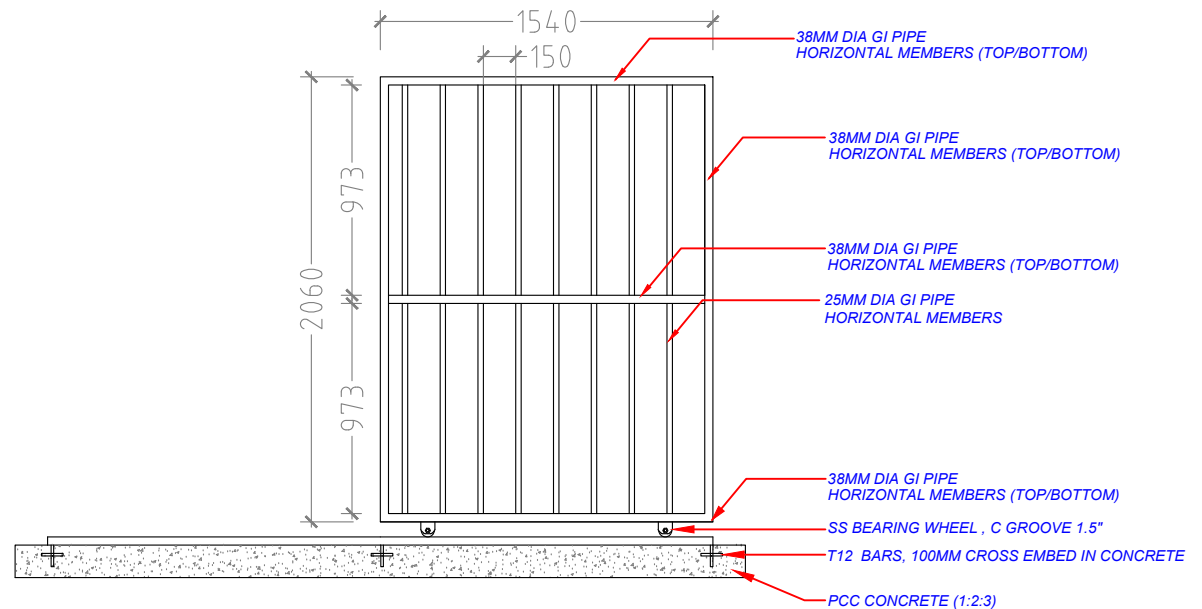
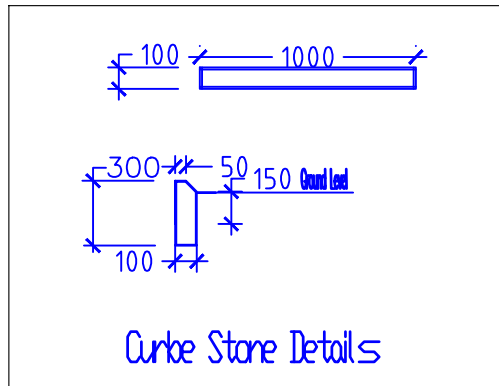


DETAIL-PAVING BLOCKS

Scale - 1:20



DETAIL- GATE 1
Scale - 1:30



DETAIL-GATE 2 & 3
Scale - 1:30