

**CONSULTANCY FOR ARCHITECTURAL FIRM FOR THE DESIGNING
AND PREPARATION OF DETAILED DRAWINGS, BOQS AND THE
SUPERVISION OF THE REFURBISHMENTS OF POLYTECHNICS
MALDIVES POLYTECHNIC, S.HITTHADHOO CAMPUS
ARCHITECTURAL, STRUCTURAL & SERVICES DRAWINGS**

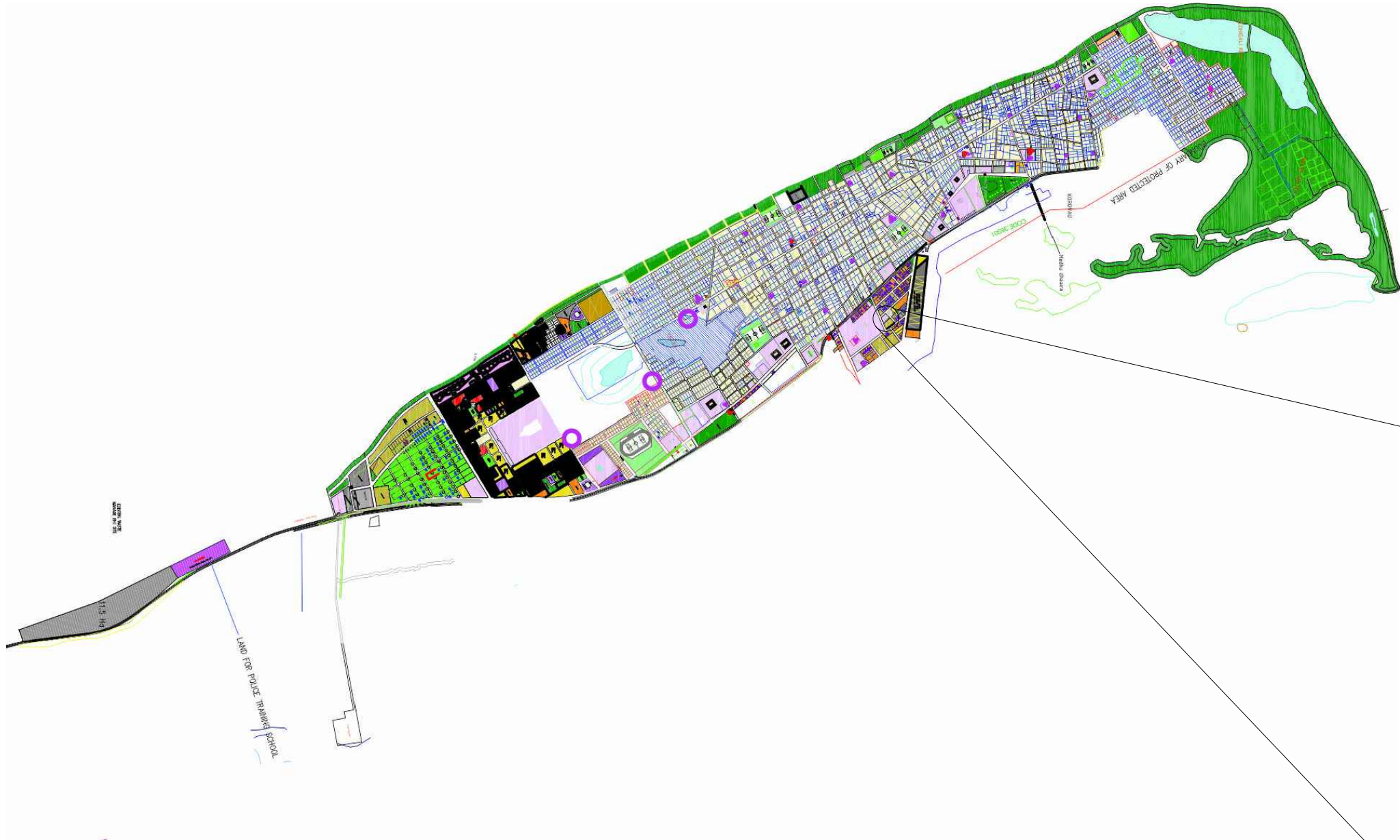
SEPTEMBER 2021

CONTRACT NO: MEERY/2021/GS-016

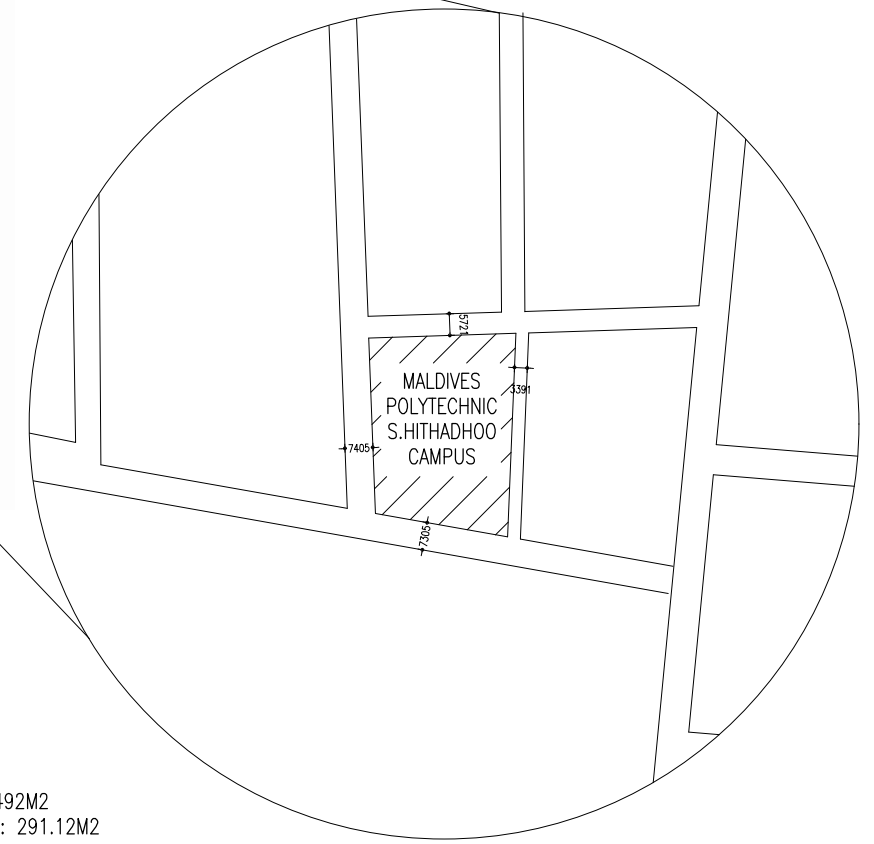
CLIENT : MINISTRY OF HIGHER EDUCATION

DESIGN BY

ArchEng
s t u d i o
Ma Fiyajahge, 1st floor, Male', Republic of Maldives
admin@archeng.biz



SOURCE : S.HITHADHOO LANDUSE PLAN,
MINISTRY NATIONAL OF PLANNING, HOUSING AND
INFRASTRUCTURE



PLOT AREA :1492M2
BUILDING AREA: 291.12M2

LOCATION PLAN
SCALE 1:200

CONTRACTORS MUST
CHECK ALL
DIMENSIONS ON SITE
BEFORE STARTING
ANY WORK OR SHOP
DRAWINGS. FIGURED
DIMENSIONS TO TAKE
PRECEDENCE OVER
SCALE READINGS

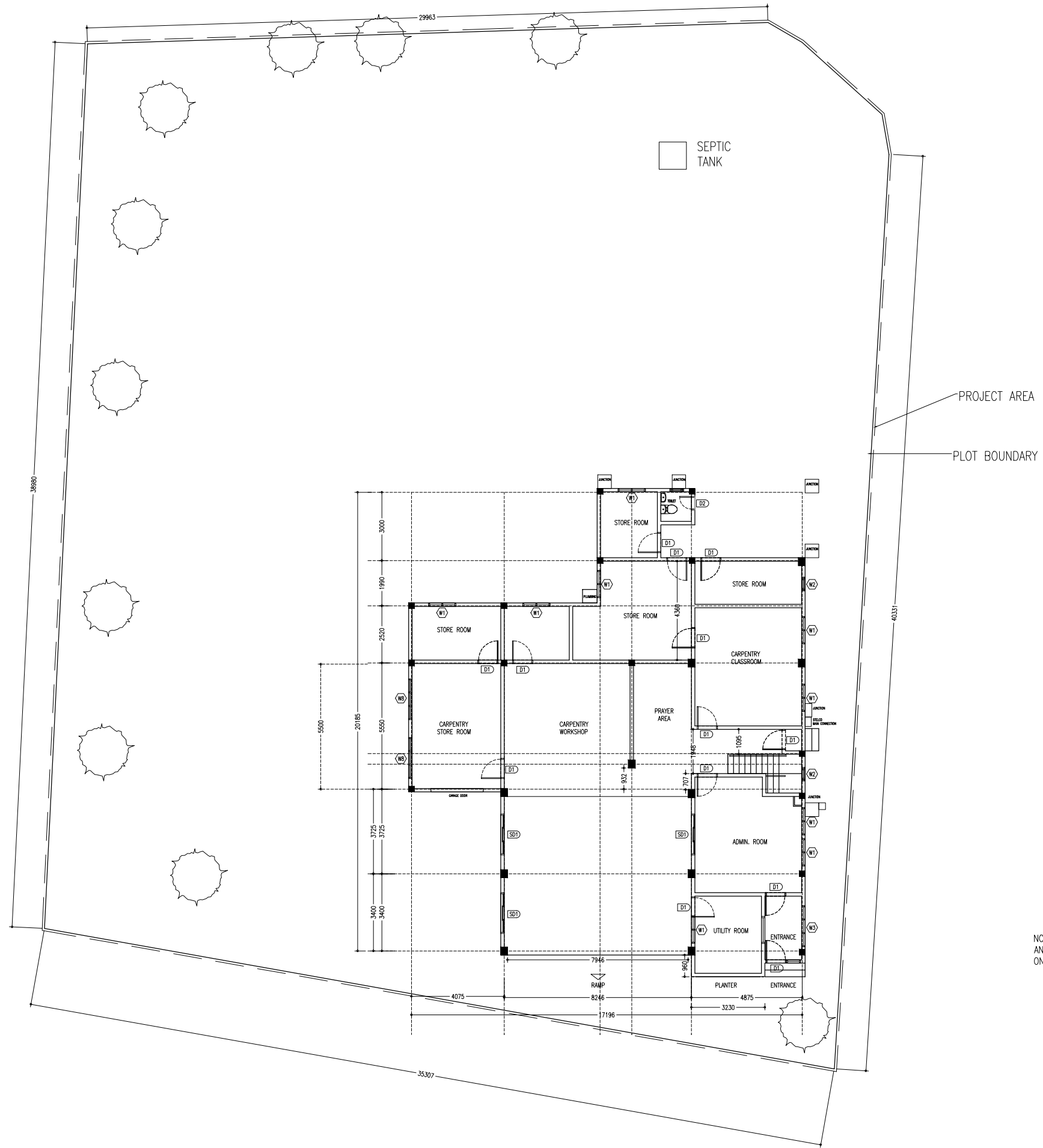


REVISION:	ARCHITECT:	PROJECT:	MALDIVES POLYTECHNIC, SEENU. HITHADHOO CAMPUS
	ENGINEER:	LOCATION:	SEENU. HITHADHOO
	ARCHITECTURAL CHECKER:	DRAWING TITLE:	AS GIVEN
	STRUCTURAL CHECKER:	CLIENT:	MINISTRY OF HIGHER EDUCATION
	DRAWN BY: AISHATH HAMRA	SCALE: AS GIVEN	DIMENSION: MM
		DATE: SEPTMBER 2021	

A-01

DWG NO
PROJECT NO: 21-001

CONCEPT AND DESIGN IN THIS DRAWING ARE THE PROPERTIES OF ARCHENG STUDIO PVT LTD. UNAUTHORIZED USE OR REPRODUCTION OF PART OF THE DESIGN, DRAWINGS OR CONCEPT TO USE IN OTHER PROJECTS OR SITES OTHER THAN SPECIFIED ON THIS DRAWING IS PROHIBITED



SITE PLAN
SCALE 1:200

CONTRACTORS MUST CHECK ALL DIMENSIONS ON SITE BEFORE STARTING ANY WORK OR SHOP DRAWINGS. FIGURED DIMENSIONS TO TAKE PRECEDENCE OVER SCALE READINGS

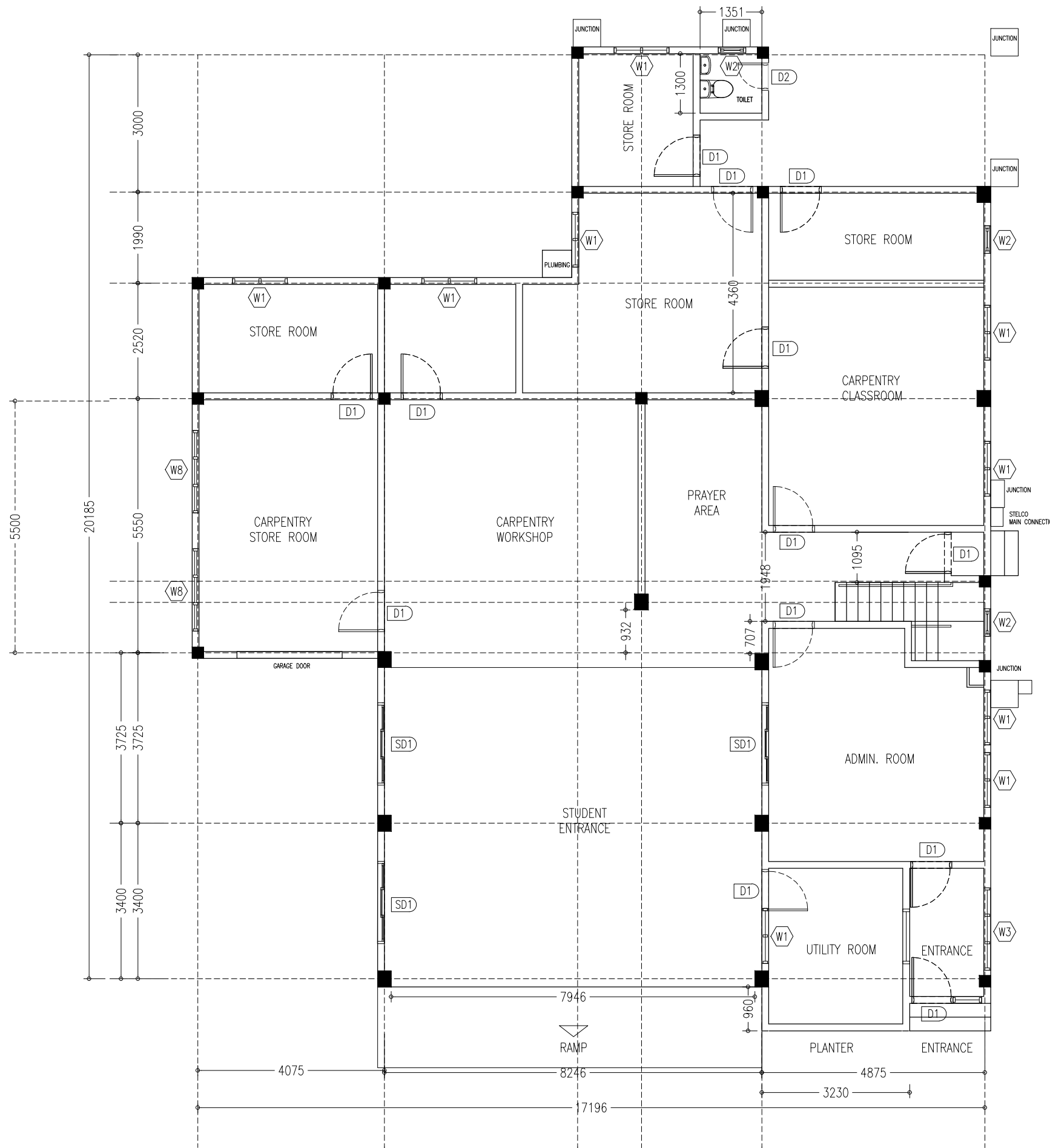


REVISION:	ARCHITECT:	PROJECT:	MALDIVES POLYTECHNIC, SEENU. HITHADHOO CAMPUS
	ENGINEER:	LOCATION:	SEENU. HITHADHOO
	ARCHITECTURAL CHECKER:	DRAWING TITLE:	AS GIVEN
	STRUCTURAL CHECKER:	CLIENT:	MINISTRY OF HIGHER EDUCATION
	DRAWN BY: AISHATH HAMRA	SCALE: AS GIVEN	DIMENSION: MM
		DATE: SEPTEMBER 2021	PROJECT NO: 21-001



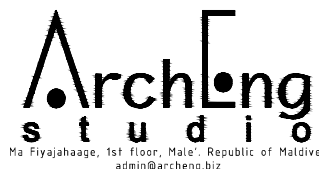
A-02

CONCEPT AND DESIGN IN THIS DRAWING ARE THE PROPERTIES OF ARCHENG STUDIO PVT LTD. UNAUTHORIZED USE OR REPRODUCTION OF PART OF THE DESIGN, DRAWINGS OR CONCEPT TO USE IN OTHER PROJECTS OR SITES OTHER THAN SPECIFIED ON THIS DRAWING IS PROHIBITED



GROUND FLOOR PLAN
SCALE 1:100

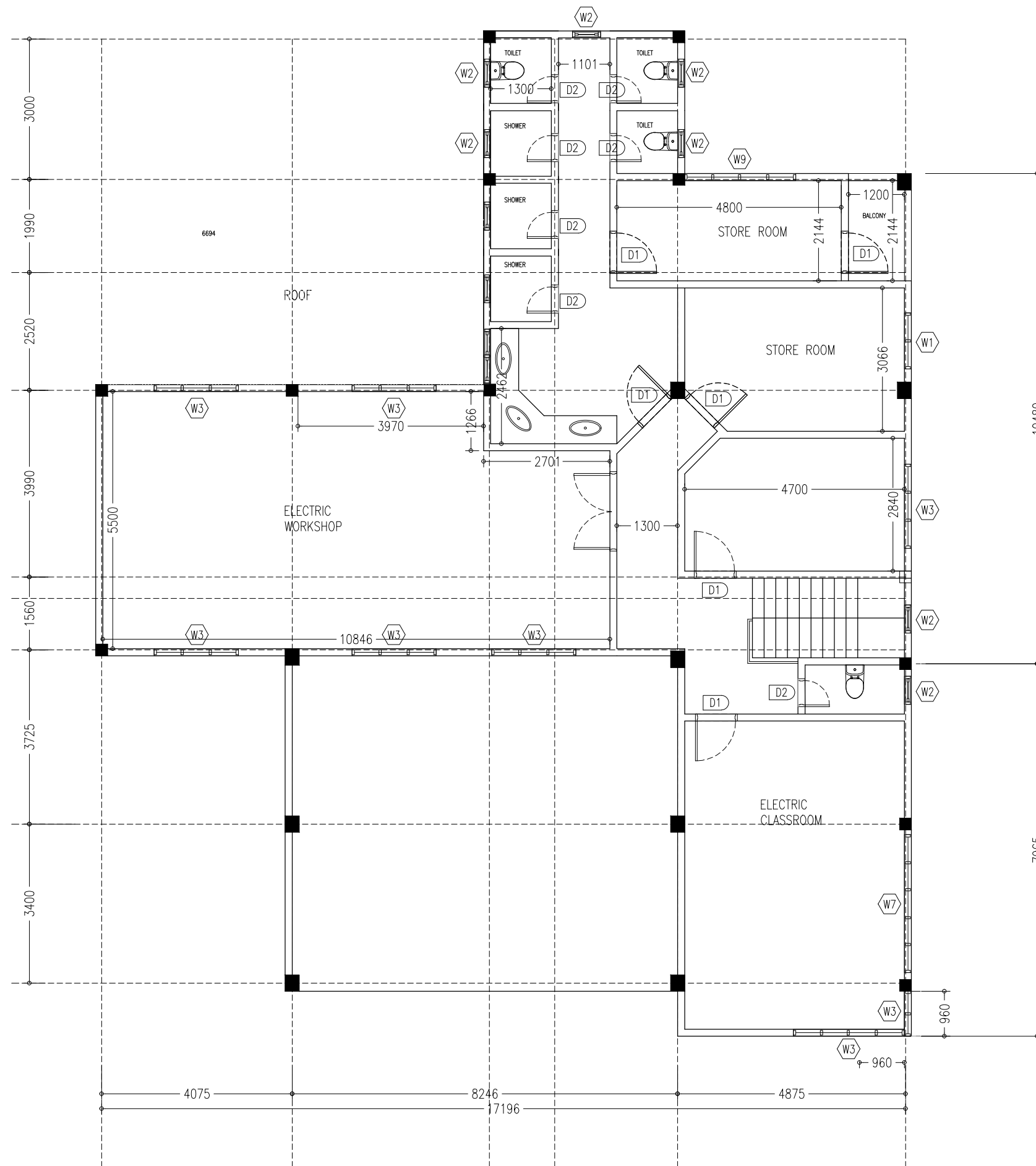
CONTRACTORS MUST CHECK ALL DIMENSIONS ON SITE BEFORE STARTING ANY WORK OR SHOP DRAWINGS. FIGURED DIMENSIONS TO TAKE PRECEDENCE OVER SCALE READINGS



REVISION:	ARCHITECT:	PROJECT:	MALDIVES POLYTECHNIC, SEENU. HITHADHOO CAMPUS
	ENGINEER:	LOCATION:	SEENU. HITHADHOO
	ARCHITECTURAL CHECKER:	DRAWING TITLE:	AS GIVEN
	STRUCTURAL CHECKER:	CLIENT:	MINISTRY OF HIGHER EDUCATION
	DRAWN BY: AISHATH HAMRA	SCALE: AS GIVEN	DIMENSION: MM
		DATE: SEPTEMBER 2021	

A-03
DWG NO
PROJECT NO: 21-001

CONCEPT AND DESIGN IN THIS DRAWING ARE THE PROPERTIES OF ARCHENG STUDIO PVT LTD. UNAUTHORIZED USE OR REPRODUCTION OF PART OF THE DESIGN, DRAWINGS OR CONCEPT TO USE IN OTHER PROJECTS OR SITES OTHER THAN SPECIFIED ON THIS DRAWING IS PROHIBITED



FIRST FLOOR PLAN
SCALE 1:100

CONTRACTORS MUST CHECK ALL DIMENSIONS ON SITE BEFORE STARTING ANY WORK OR SHOP DRAWINGS. FIGURED DIMENSIONS TO TAKE PRECEDENCE OVER SCALE READINGS



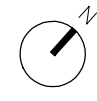
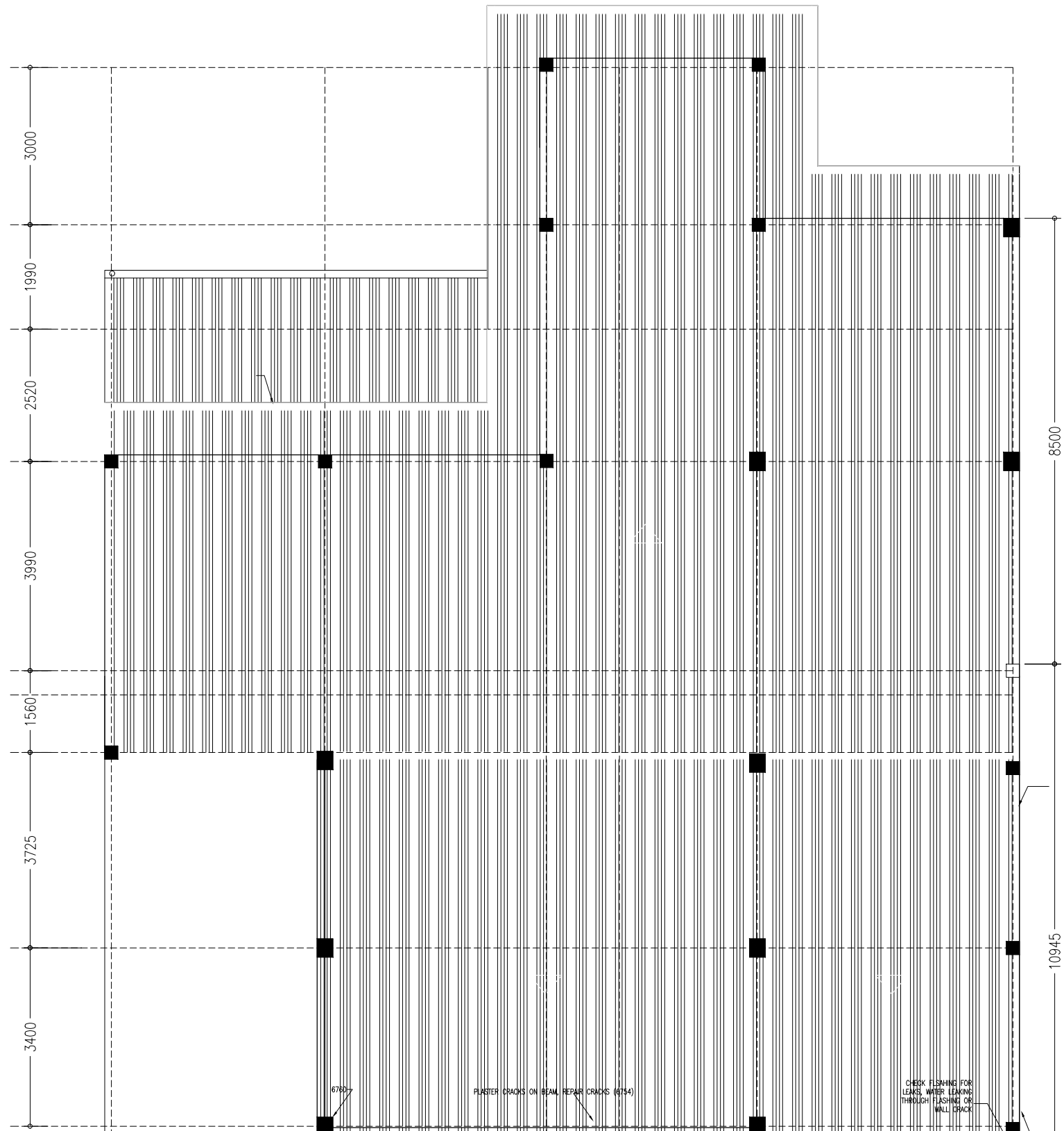
REVISION:

ARCHITECT:
ENGINEER:
ARCHITECTURAL CHECKER:
STRUCTURAL CHECKER:
DRAWN BY: AISHATH HAMRA

PROJECT: MALDIVES POLYTECHNIC, SEENU. HITHADHOO CAMPUS
LOCATION: SEENU. HITHADHOO
DRAWING TITLE: AS GIVEN
CLIENT: MINISTRY OF HIGHER EDUCATION
SCALE: AS GIVEN DIMENSION: MM DATE: SEPTMBER 2021

A-04
DWG NO
PROJECT NO: 21-001

CONCEPT AND DESIGN IN THIS DRAWING ARE THE PROPERTIES OF ARCHENG STUDIO PVT LTD. UNAUTHORIZED USE OR REPRODUCTION OF PART OF THE DESIGN, DRAWINGS OR CONCEPT TO USE IN OTHER PROJECTS OR SITES OTHER THAN SPECIFIED ON THIS DRAWING IS PROHIBITED



6780

PLASTER CRACKS ON BEAM, REPAIR CRACKS (6754)

CHECK FLASHING FOR LEAKS, WATER LEAKING THROUGH FLASHING OR WALL CRACK

WATER LEAKING FROM INTERNAL GUTTER AND EXTENSIVE CRACKING DUE TO THIS. DEMOLISH WALL (7M LONG 11.9M HIGH) AND EXTEND ROOF GROUND WITH NEW GUTTER DRAIN CONNECTED TO EXISTING DOWN PIPES

CONTRACTORS MUST CHECK ALL DIMENSIONS ON SITE BEFORE STARTING ANY WORK OR SHOP DRAWINGS. FIGURED DIMENSIONS TO TAKE PRECEDENCE OVER SCALE READINGS



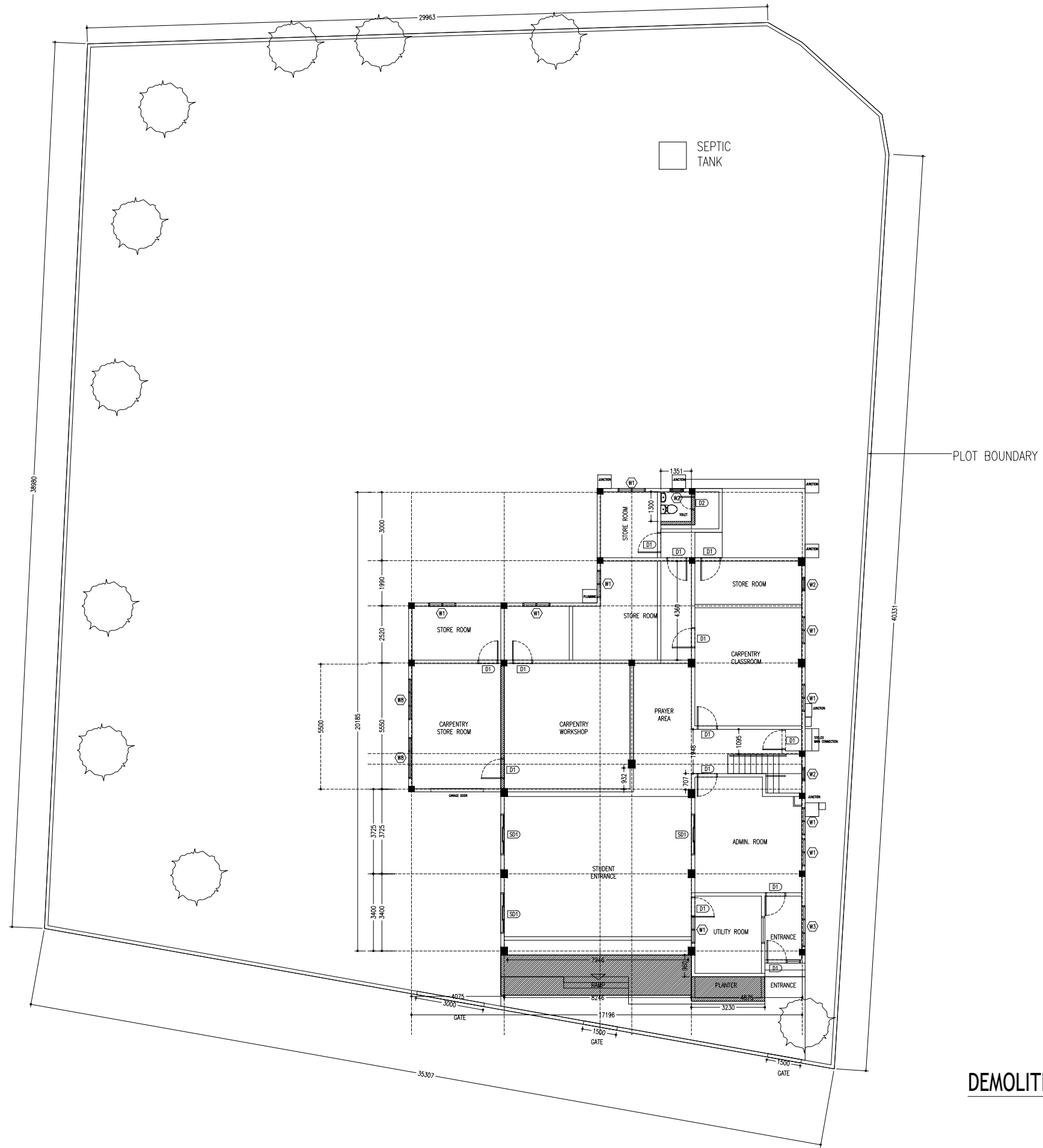
REVISION:	ARCHITECT:
	ENGINEER:
	ARCHITECTURAL CHECKER:
	STRUCTURAL CHECKER:
	DRAWN BY: AISHATH HAMRA

PROJECT:	MALDIVES POLYTECHNIC, SEENU. HITHADHOO CAMPUS
LOCATION:	SEENU. HITHADHOO
DRAWING TITLE:	AS GIVEN
CLIENT:	MINISTRY OF HIGHER EDUCATION
SCALE: AS GIVEN	DIMENSION: MM
DATE: SEPTMBER 2021	

A-05
DWG NO
PROJECT NO: 21-001

CONCEPT AND DESIGN IN THIS DRAWING ARE THE PROPERTIES OF ARCHENG STUDIO PVT LTD. UNAUTHORIZED USE OR REPRODUCTION OF PART OF THE DESIGN, DRAWINGS OR CONCEPT TO USE IN OTHER PROJECTS OR SITES OTHER THAN SPECIFIED ON THIS DRAWING IS PROHIBITED

ROOF PLAN
SCALE 1:100



DEMOLITION AND NEW WORK PLAN-SITE PLAN

SCALE 1:200

CONTRACTORS MUST CHECK ALL DIMENSIONS ON SITE BEFORE STARTING ANY WORK OR SHOP DRAWINGS. FIGURED DIMENSIONS TO TAKE PRECEDENCE OVER SCALE READINGS

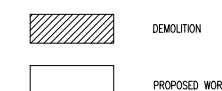
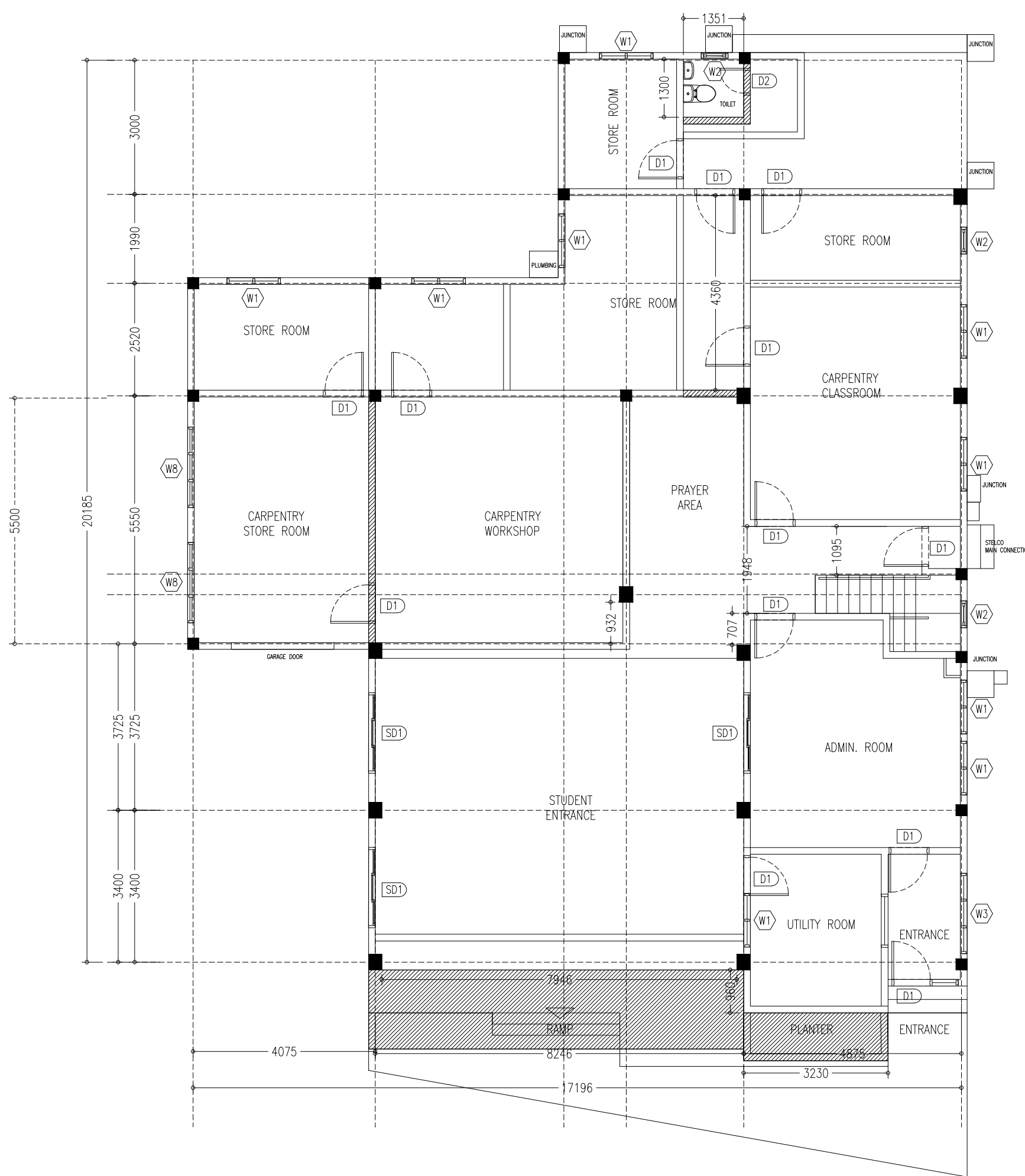


REVISION:	ARCHITECT:	PROJECT:	MALDIVES POLYTECHNIC, SEENU. HITHADHOO CAMPUS
	ENGINEER:	LOCATION:	SEENU. HITHADHOO
	ARCHITECTURAL CHECKER:	DRAWING TITLE:	AS GIVEN
	STRUCTURAL CHECKER:	CLIENT:	MINISTRY OF HIGHER EDUCATION
	DRAWN BY: AISHATH HAMRA	SCALE: AS GIVEN	DIMENSION: MM
		DATE: SEPTMBER 2021	

A-06

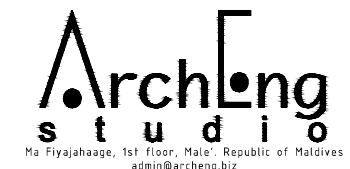
DWG NO PROJECT NO: 21-001

CONCEPT AND DESIGN IN THIS DRAWING ARE THE PROPERTIES OF ARCHENG STUDIO PVT LTD. UNAUTHORIZED USE OR REPRODUCTION OF PART OF THE DESIGN, DRAWINGS OR CONCEPT TO USE IN OTHER PROJECTS OR SITES OTHER THAN SPECIFIED ON THIS DRAWING IS PROHIBITED



**DEMOLITION PLAN AND NEW WORK PLAN -
GROUND FLOOR**
SCALE 1:100

CONTRACTORS MUST CHECK ALL DIMENSIONS ON SITE BEFORE STARTING ANY WORK OR SHOP DRAWINGS. FIGURED DIMENSIONS TO TAKE PRECEDENCE OVER SCALE READINGS

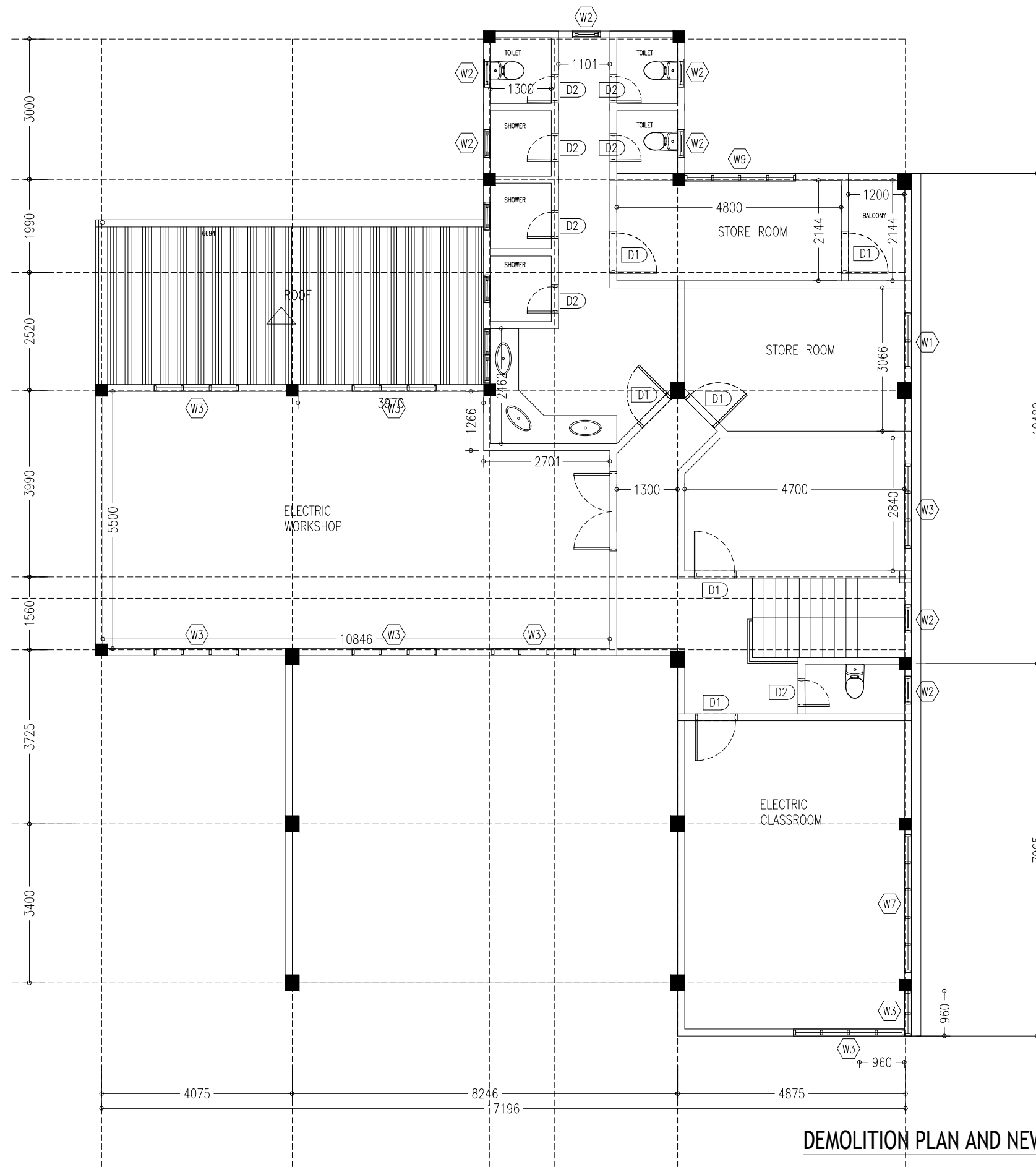


REVISION:	ARCHITECT:
	ENGINEER:
	ARCHITECTURAL CHECKER:
	STRUCTURAL CHECKER:
	DRAWN BY: AISHATH HAMRA

PROJECT:	MALDIVES POLYTECHNIC, SEENU. HITHADHOO CAMPUS
LOCATION:	SEENU. HITHADHOO
DRAWING TITLE:	AS GIVEN
CLIENT:	MINISTRY OF HIGHER EDUCATION
SCALE:	AS GIVEN
DIMENSION:	MM
DATE:	SEPTEMBER 2021

DWG NO	A-07
PROJECT NO:	21-001

CONCEPT AND DESIGN IN THIS DRAWING ARE THE PROPERTIES OF ARCHENG STUDIO PVT LTD. UNAUTHORIZED USE OR REPRODUCTION OF PART OF THE DESIGN, DRAWINGS OR CONCEPT TO USE IN OTHER PROJECTS OR SITES OTHER THAN SPECIFIED ON THIS DRAWING IS PROHIBITED



DEMOLITION PLAN AND NEW WORK PLAN - FIRST FLOOR
SCALE 1:100

CONTRACTORS MUST CHECK ALL DIMENSIONS ON SITE BEFORE STARTING ANY WORK OR SHOP DRAWINGS. FIGURED DIMENSIONS TO TAKE PRECEDENCE OVER SCALE READINGS



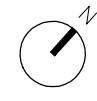
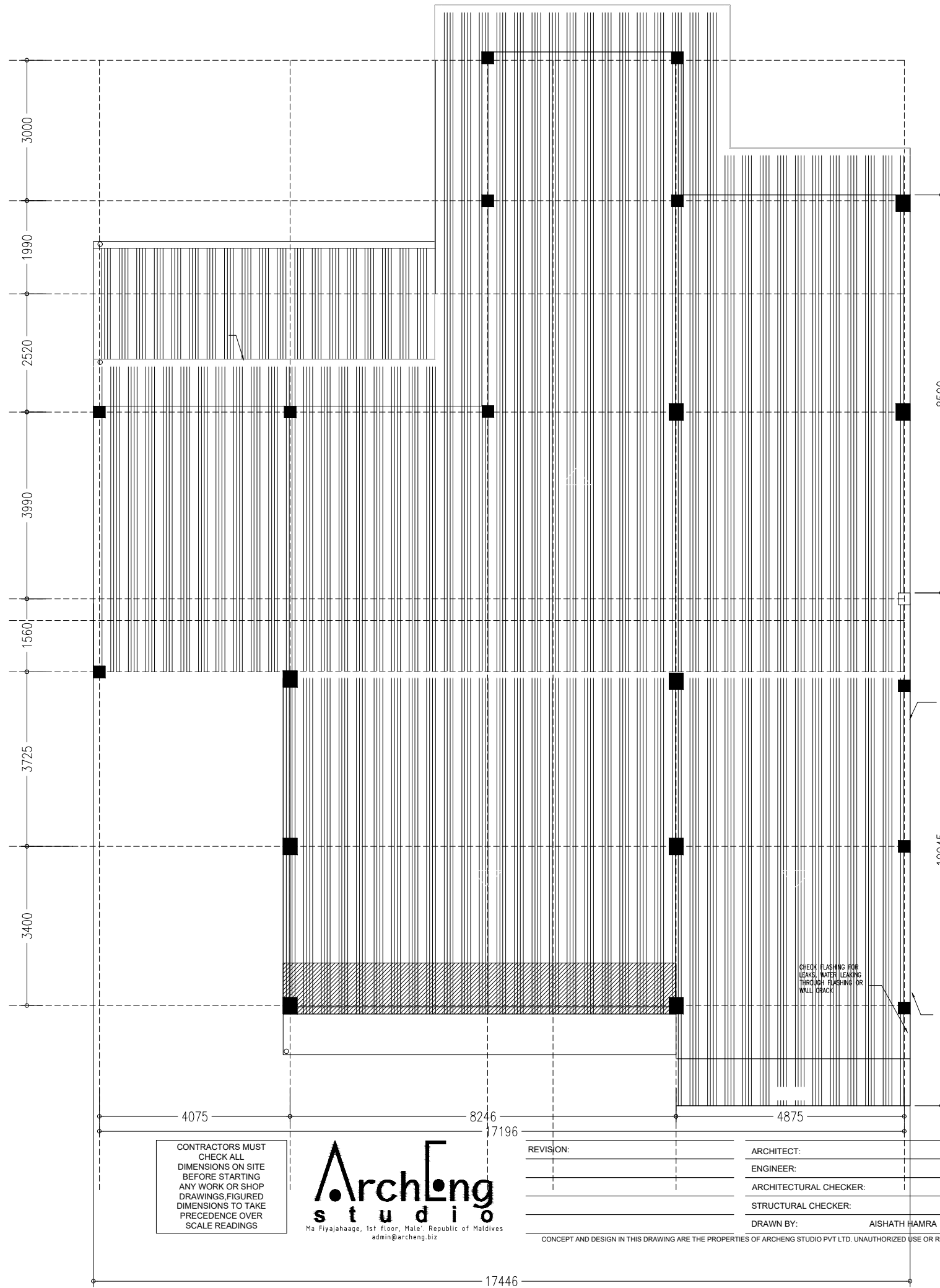
REVISION:



ARCHITECT:
ENGINEER:
ARCHITECTURAL CHECKER:
STRUCTURAL CHECKER:
DRAWN BY: AISHATH HAMRA

PROJECT: MALDIVES POLYTECHNIC, SEENU. HITHADHOO CAMPUS
LOCATION: SEENU. HITHADHOO
DRAWING TITLE: AS GIVEN
CLIENT: MINISTRY OF HIGHER EDUCATION
SCALE: AS GIVEN DIMENSION: MM DATE: SEPTMBER 2021

A-08

DWG NO
PROJECT NO: 21-001



 DEMOLITION
 PROPOSED WORK

DEMOLITION AND NEW WORK PLAN -ROOF
SCALE 1:200

CONTRACTORS MUST CHECK ALL DIMENSIONS ON SITE BEFORE STARTING ANY WORK OR SHOP DRAWINGS. FIGURED DIMENSIONS TO TAKE PRECEDENCE OVER SCALE READINGS

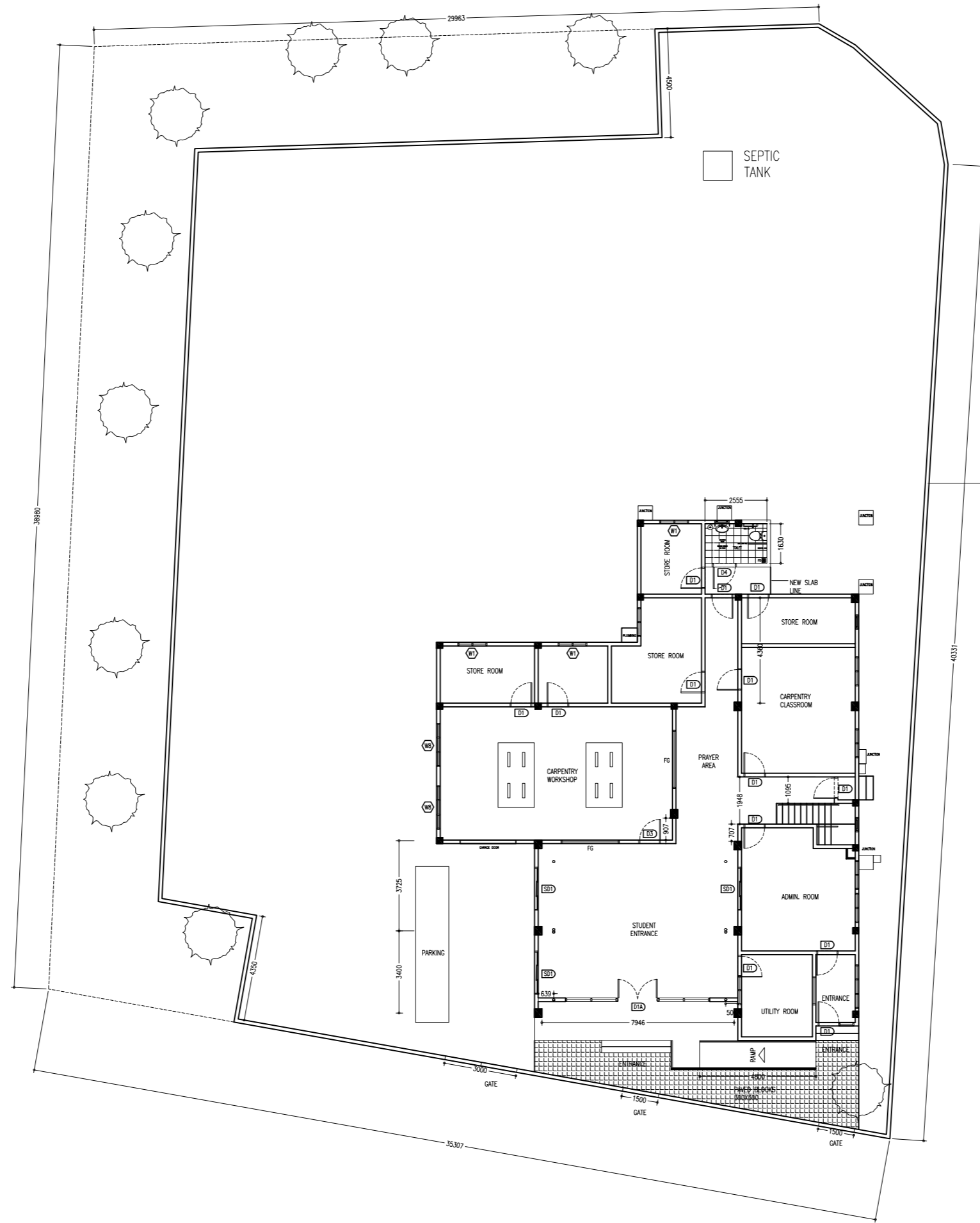


REVISION:	ARCHITECT:
	ENGINEER:
	ARCHITECTURAL CHECKER:
	STRUCTURAL CHECKER:
	DRAWN BY: AISHATH HAMRA

PROJECT:	MALDIVES POLYTECHNIC, SEENU. HITHADHOO CAMPUS
LOCATION:	SEENU. HITHADHOO
DRAWING TITLE:	AS GIVEN
CLIENT:	MINISTRY OF HIGHER EDUCATION
SCALE: AS GIVEN	DIMENSION: MM
DATE: SEPTMBER 2021	

A-09
DWG NO
PROJECT NO: 21-001

CONCEPT AND DESIGN IN THIS DRAWING ARE THE PROPERTIES OF ARCHENG STUDIO PVT LTD. UNAUTHORIZED USE OR REPRODUCTION OF PART OF THE DESIGN, DRAWINGS OR CONCEPT TO USE IN OTHER PROJECTS OR SITES OTHER THAN SPECIFIED ON THIS DRAWING IS PROHIBITED



PLOT BOUNDARY WALL
1.2M

REVISION 1
BOUNDARY WALL
LENGTH OF THE REVISED BOUNDARY WALL : 145.9M

NOTE : THIS DRAWING IS PREPARED FOR QUANTIFYING PURPOSE ONLY.
ALL MEASUREMENTS TO BE CONFIRMED ON SITE BY THE CONTRACTOR.
PLOT BOUNDARY TO BE MARKED BY CITY COUNCIL BEFORE
COMMENCEMENT OF THE PROJECT

SITE PLAN - PROPOSED PLAN
SCALE 1:200

CONTRACTORS MUST
CHECK ALL
DIMENSIONS ON SITE
BEFORE STARTING
ANY WORK OR SHOP
DRAWINGS, FIGURED
DIMENSIONS TO TAKE
PRECEDENCE OVER
SCALE READINGS



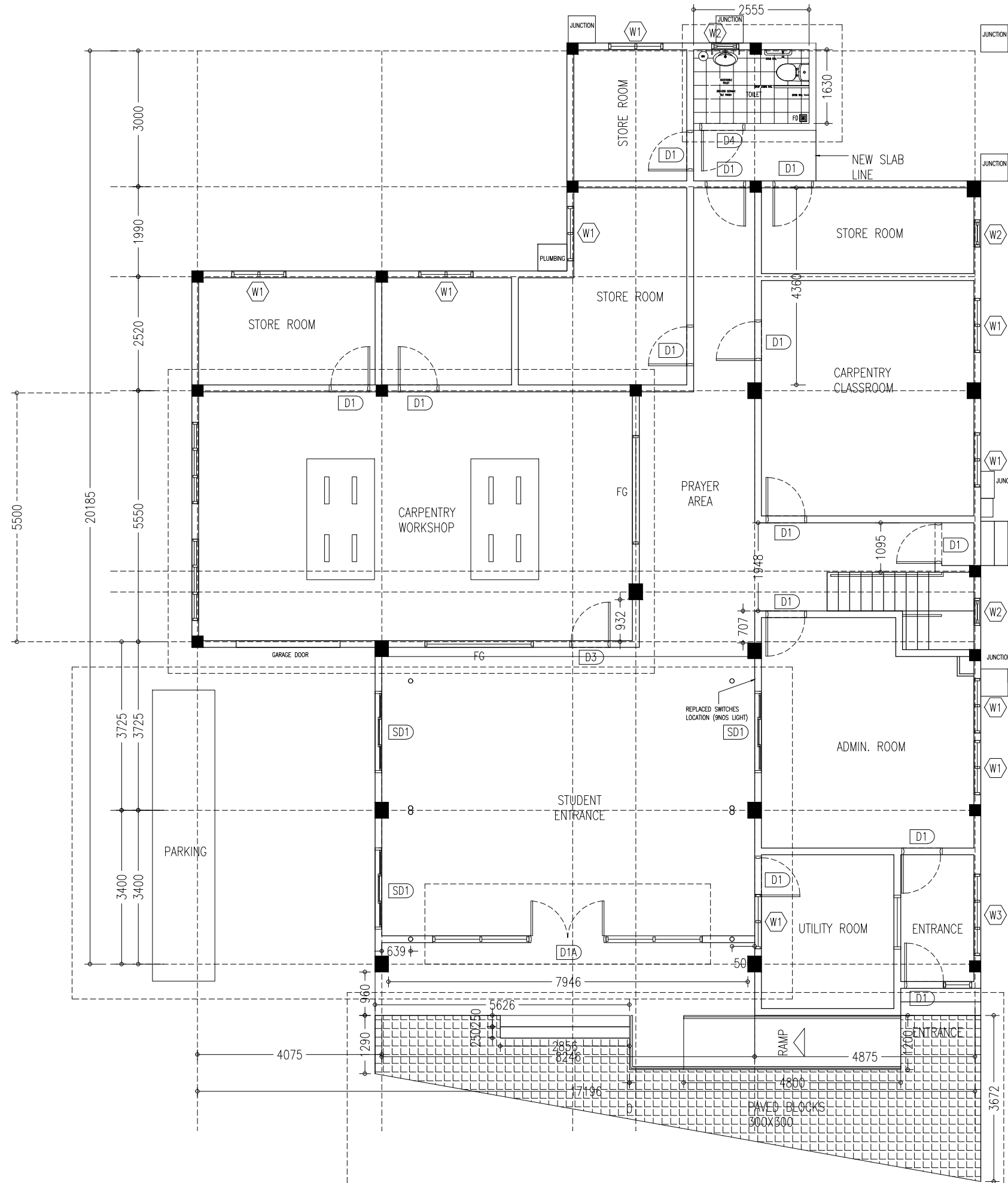
REVISION:
REVISION 1
BOUNDARY WALL

ARCHITECT:
ENGINEER:
ARCHITECTURAL CHECKER:
STRUCTURAL CHECKER:
DRAWN BY: AISHATH HAMRA

PROJECT: MALDIVES POLYTECHNIC, SEENU. HITHADHOO CAMPUS
LOCATION: SEENU. HITHADHOO
DRAWING TITLE: AS GIVEN
CLIENT: MINISTRY OF HIGHER EDUCATION
SCALE: AS GIVEN DIMENSION: MM DATE: SEPTMBER 2021

A-10
DWG NO
PROJECT NO: 21-001

CONCEPT AND DESIGN IN THIS DRAWING ARE THE PROPERTIES OF ARCHENG STUDIO PVT LTD. UNAUTHORIZED USE OR REPRODUCTION OF PART OF THE DESIGN, DRAWINGS OR CONCEPT TO USE IN OTHER PROJECTS OR SITES OTHER THAN SPECIFIED ON THIS DRAWING IS PROHIBITED



GROUND FLOOR PLAN - PROPOSED PLAN
SCALE 1:100

CONTRACTORS MUST CHECK ALL DIMENSIONS ON SITE BEFORE STARTING ANY WORK OR SHOP DRAWINGS. FIGURED DIMENSIONS TO TAKE PRECEDENCE OVER SCALE READINGS

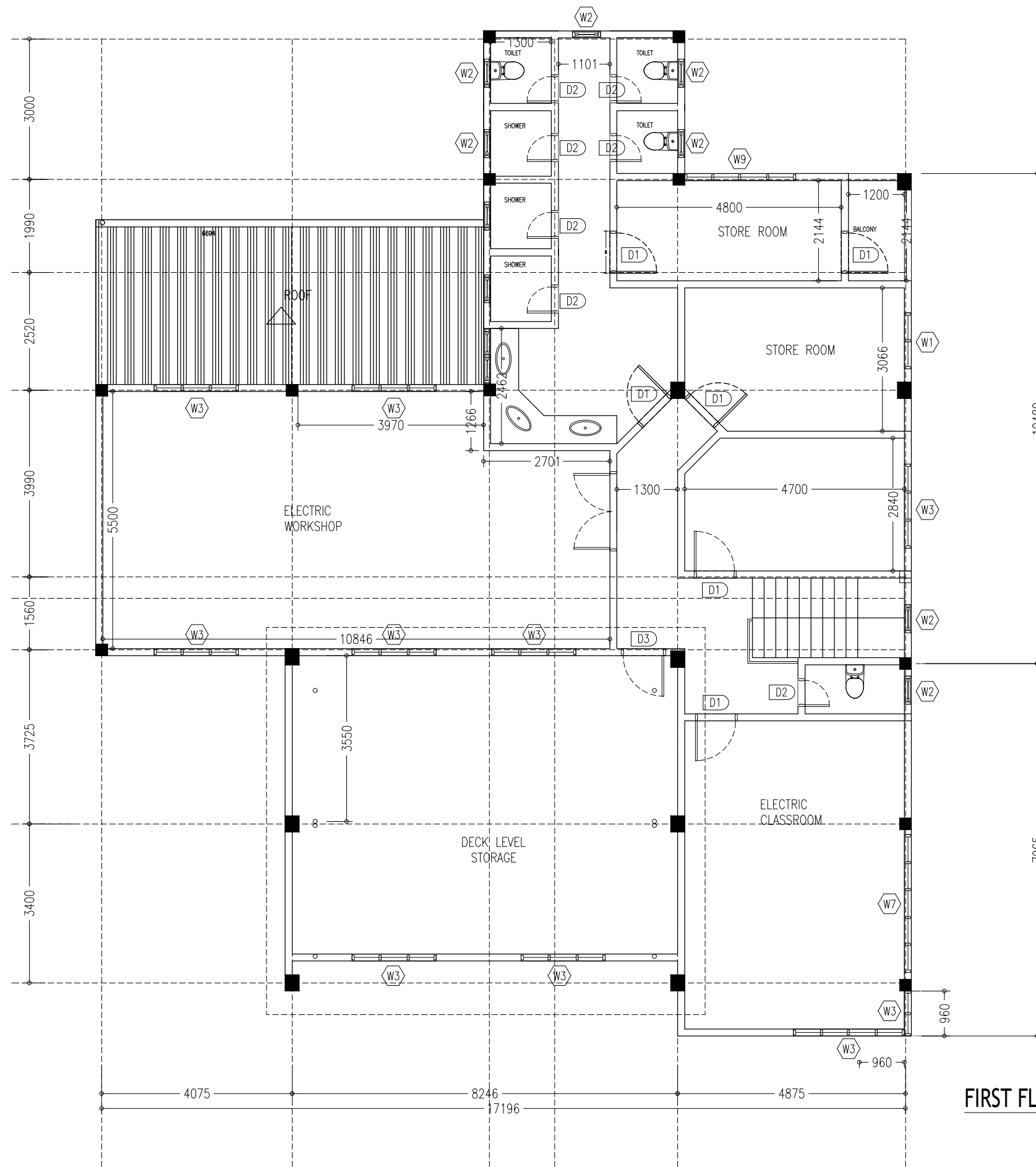


REVISION:	ARCHITECT:
	ENGINEER:
	ARCHITECTURAL CHECKER:
	STRUCTURAL CHECKER:
	DRAWN BY: AISHATH HAMRA

PROJECT:	MALDIVES POLYTECHNIC, SEENU. HITHADHOO CAMPUS
LOCATION:	SEENU. HITHADHOO
DRAWING TITLE:	AS GIVEN
CLIENT:	MINISTRY OF HIGHER EDUCATION
SCALE:	AS GIVEN
DIMENSION:	MM
DATE:	SEPTEMBER 2021

DWG NO	A-11
PROJECT NO:	21-001

CONCEPT AND DESIGN IN THIS DRAWING ARE THE PROPERTIES OF ARCHENG STUDIO PVT LTD. UNAUTHORIZED USE OR REPRODUCTION OF PART OF THE DESIGN, DRAWINGS OR CONCEPT TO USE IN OTHER PROJECTS OR SITES OTHER THAN SPECIFIED ON THIS DRAWING IS PROHIBITED



FIRST FLOOR PLAN - PROPOSED PLAN
SCALE 1:100

CONTRACTORS MUST CHECK ALL DIMENSIONS ON SITE BEFORE STARTING ANY WORK OR SHOP DRAWINGS. FIGURED DIMENSIONS TO TAKE PRECEDENCE OVER SCALE READINGS



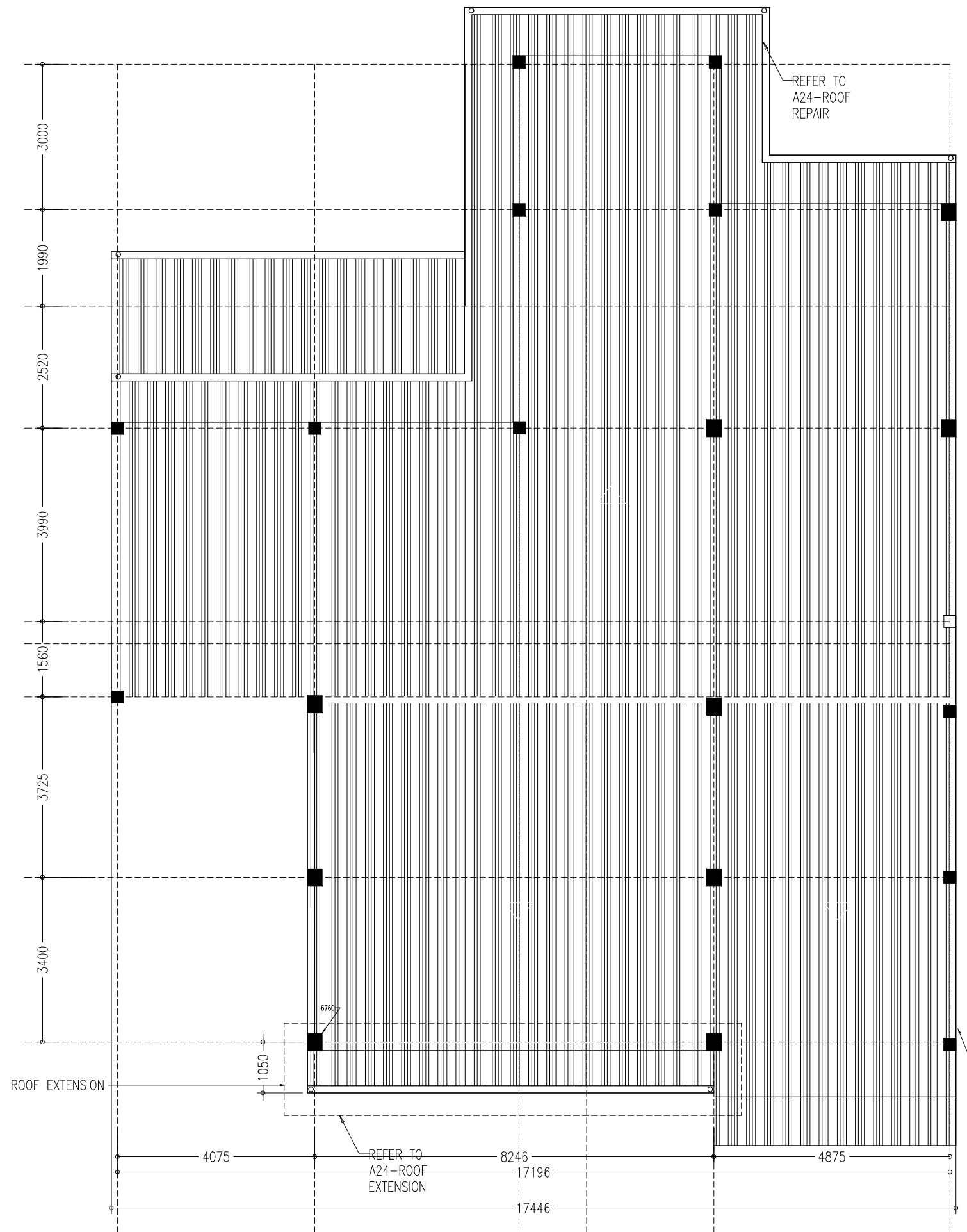
REVISION:	ARCHITECT:
	ENGINEER:
	ARCHITECTURAL CHECKER:
	STRUCTURAL CHECKER:
	DRAWN BY: AISHATH HAMRA

PROJECT: MALDIVES POLYTECHNIC, SEENU. HITHADHOO CAMPUS
LOCATION: SEENU. HITHADHOO
DRAWING TITLE: AS GIVEN
CLIENT: MINISTRY OF HIGHER EDUCATION
SCALE: AS GIVEN DIMENSION: MM DATE: SEPTMBER 2021

DWG NO
PROJECT NO: 21-001

A-12

CONCEPT AND DESIGN IN THIS DRAWING ARE THE PROPERTIES OF ARCHENG STUDIO PVT LTD. UNAUTHORIZED USE OR REPRODUCTION OF PART OF THE DESIGN, DRAWINGS OR CONCEPT TO USE IN OTHER PROJECTS OR SITES OTHER THAN SPECIFIED ON THIS DRAWING IS PROHIBITED



ROOF PLAN - PROPOSED PLAN
SCALE 1:200

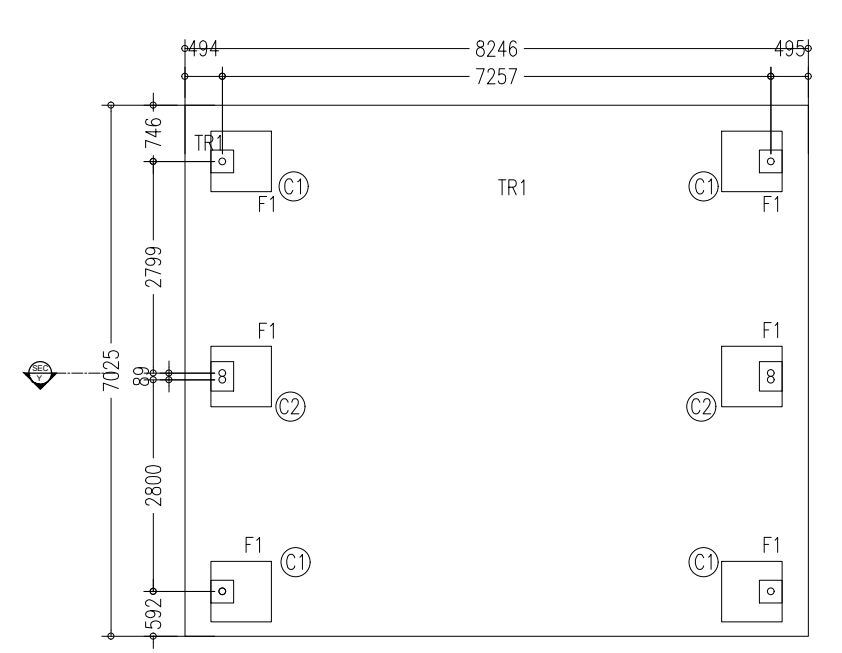
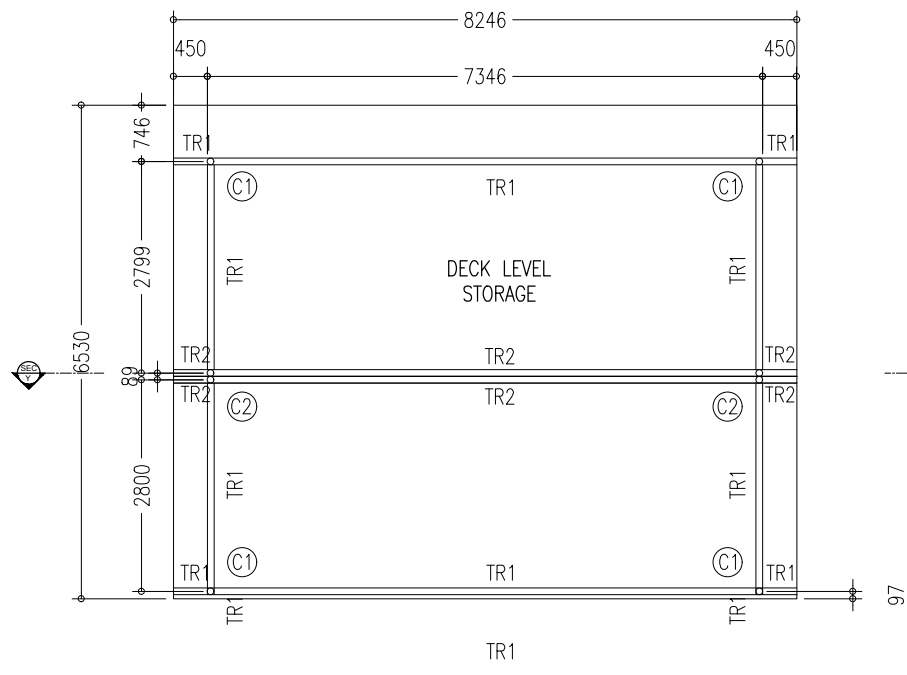
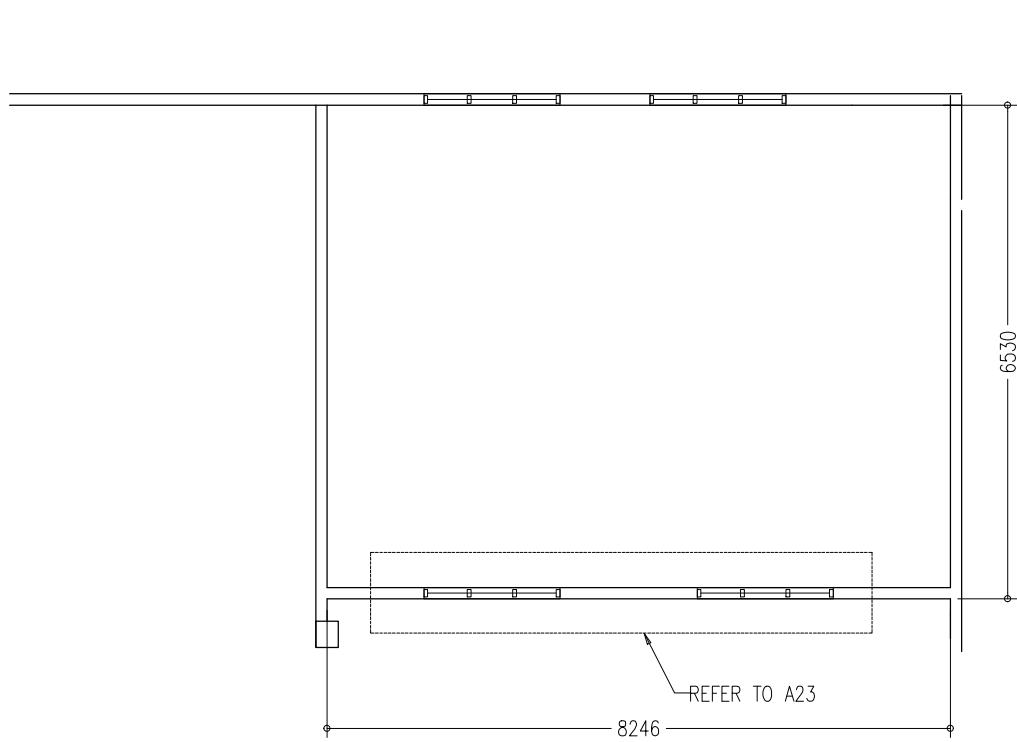
CONTRACTORS MUST CHECK ALL DIMENSIONS ON SITE BEFORE STARTING ANY WORK OR SHOP DRAWINGS. FIGURED DIMENSIONS TO TAKE PRECEDENCE OVER SCALE READINGS



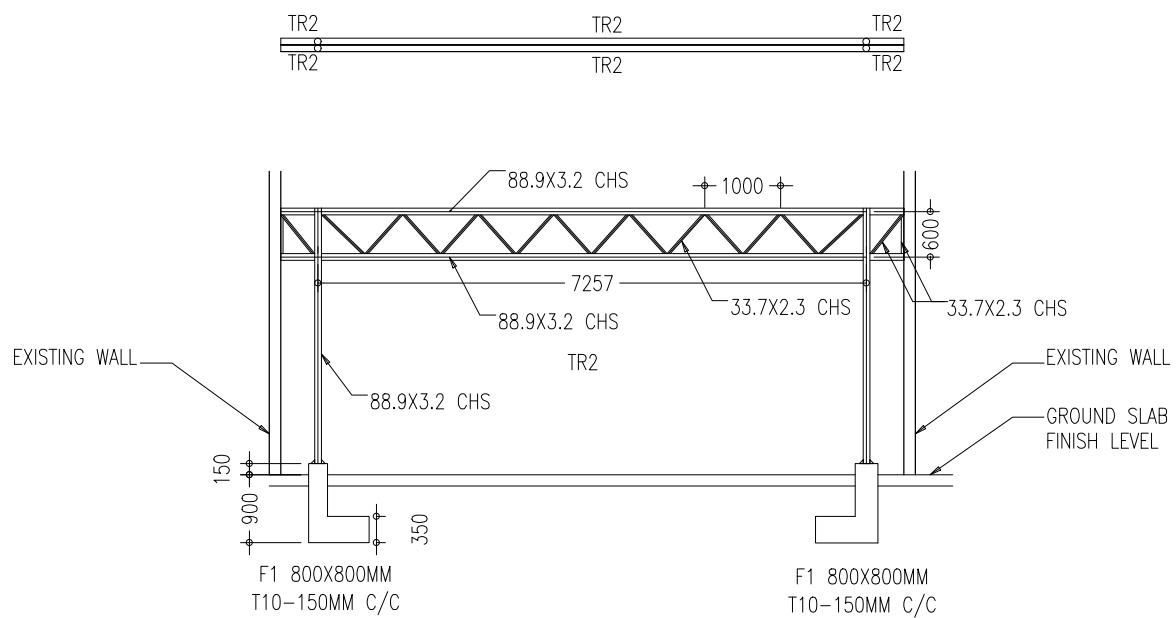
REVISION:	ARCHITECT:	PROJECT:	MALDIVES POLYTECHNIC, SEENU. HITHADHOO CAMPUS
	ENGINEER:	LOCATION:	SEENU. HITHADHOO
	ARCHITECTURAL CHECKER:	DRAWING TITLE:	AS GIVEN
	STRUCTURAL CHECKER:	CLIENT:	MINISTRY OF HIGHER EDUCATION
	DRAWN BY: AISHATH HAMRA	SCALE: AS GIVEN	DIMENSION: MM
		DATE: SEPTMBER 2021	

A-13
DWG NO
PROJECT NO: 21-001

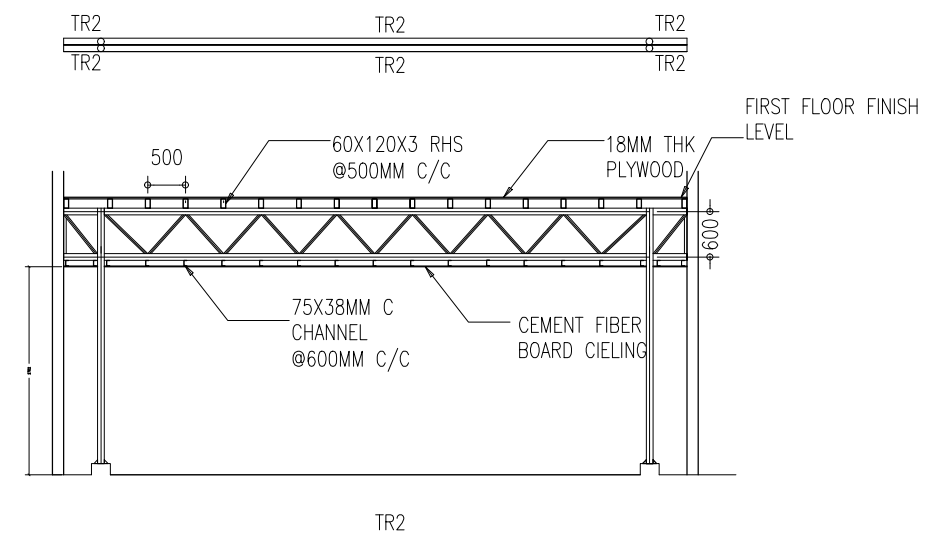
CONCEPT AND DESIGN IN THIS DRAWING ARE THE PROPERTIES OF ARCHENG STUDIO PVT LTD. UNAUTHORIZED USE OR REPRODUCTION OF PART OF THE DESIGN, DRAWINGS OR CONCEPT TO USE IN OTHER PROJECTS OR SITES OTHER THAN SPECIFIED ON THIS DRAWING IS PROHIBITED



DECK STRUCTURE PLAN
SCALE 1:100



TRUSS PLAN SECTION Y
SCALE 1:100



DECK STRUCTURE PLAN
SCALE 1:100

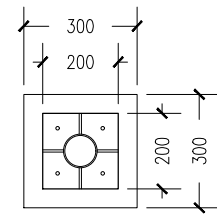
CONTRACTORS MUST CHECK ALL DIMENSIONS ON SITE BEFORE STARTING ANY WORK OR SHOP DRAWINGS. FIGURED DIMENSIONS TO TAKE PRECEDENCE OVER SCALE READINGS



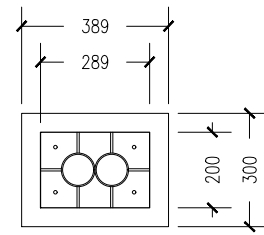
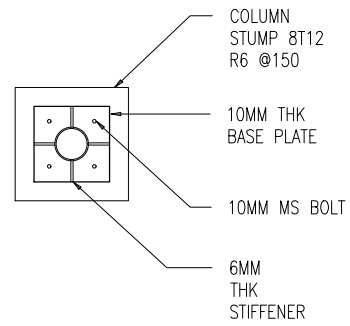
REVISION:	ARCHITECT:	PROJECT:	MALDIVES POLYTECHNIC, SEENU. HITHADHOO CAMPUS
	ENGINEER:	LOCATION:	SEENU. HITHADHOO
	ARCHITECTURAL CHECKER:	DRAWING TITLE:	AS GIVEN
	STRUCTURAL CHECKER:	CLIENT:	MINISTRY OF HIGHER EDUCATION
	DRAWN BY: AISHATH HAMRA	SCALE: AS GIVEN	DIMENSION: MM
		DATE: SEPTEMBER 2021	

A-14
DWG NO
PROJECT NO: 21-001

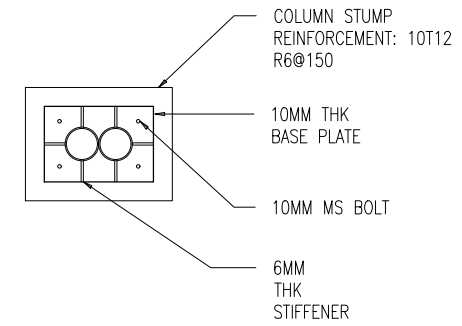
CONCEPT AND DESIGN IN THIS DRAWING ARE THE PROPERTIES OF ARCHENG STUDIO PVT LTD. UNAUTHORIZED USE OR REPRODUCTION OF PART OF THE DESIGN, DRAWINGS OR CONCEPT TO USE IN OTHER PROJECTS OR SITES OTHER THAN SPECIFIED ON THIS DRAWING IS PROHIBITED



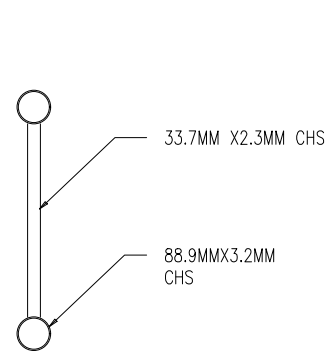
C1



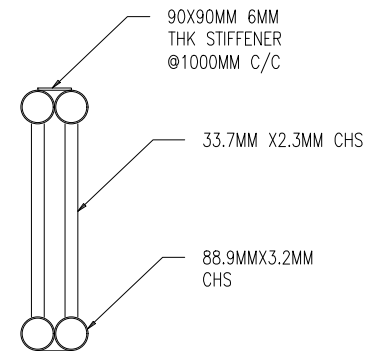
C2



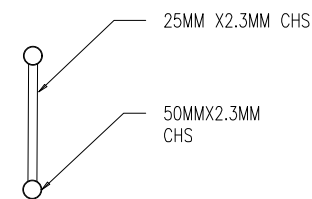
COLUMN DETAIL
SCALE 1:20



TR1



TR2



TR3

NOTE:- WELDED TO EXISTING TRUSS FOR WALL SUPPORT DEPTH OF TRUSS IS EQUAL TO EXISTING ROOF TRUSS

TRUSS DETAIL
SCALE 1:20

CONTRACTORS MUST CHECK ALL DIMENSIONS ON SITE BEFORE STARTING ANY WORK OR SHOP DRAWINGS. FIGURED DIMENSIONS TO TAKE PRECEDENCE OVER SCALE READINGS

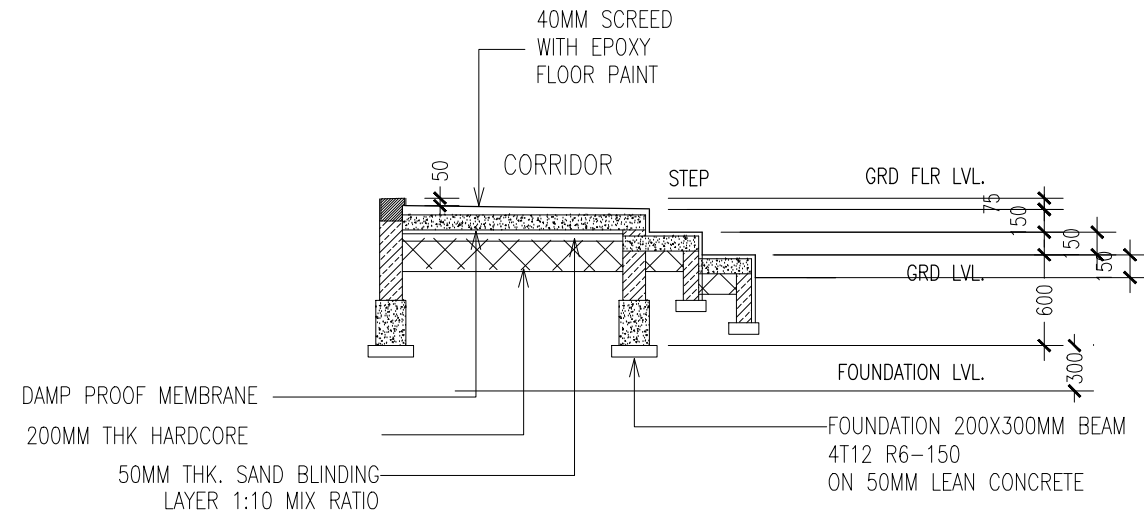


REVISION:	ARCHITECT:	PROJECT:	MALDIVES POLYTECHNIC, SEENU. HITHADHOO CAMPUS
	ENGINEER:	LOCATION:	SEENU. HITHADHOO
	ARCHITECTURAL CHECKER:	DRAWING TITLE:	AS GIVEN
	STRUCTURAL CHECKER:	CLIENT:	MINISTRY OF HIGHER EDUCATION
	DRAWN BY: AISHATH HAMRA	SCALE: AS GIVEN	DIMENSION: MM
		DATE: SEPTMBER 2021	PROJECT NO: 21-001

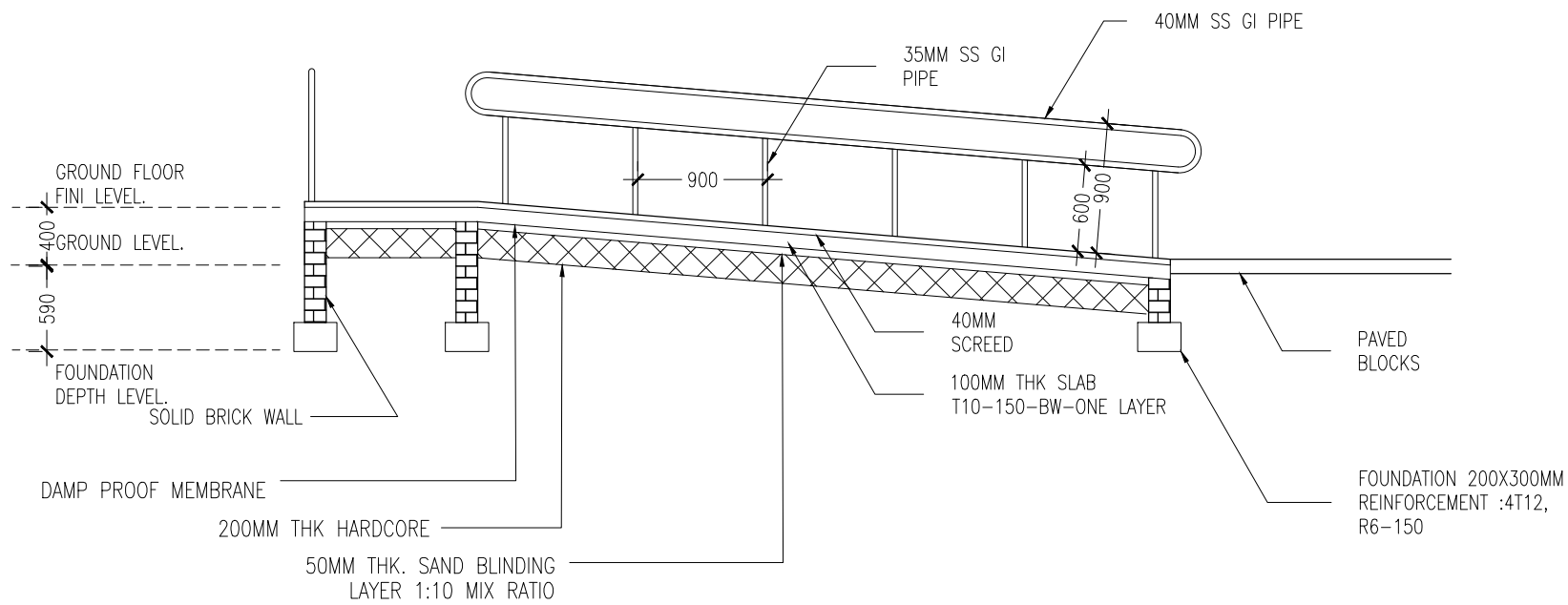
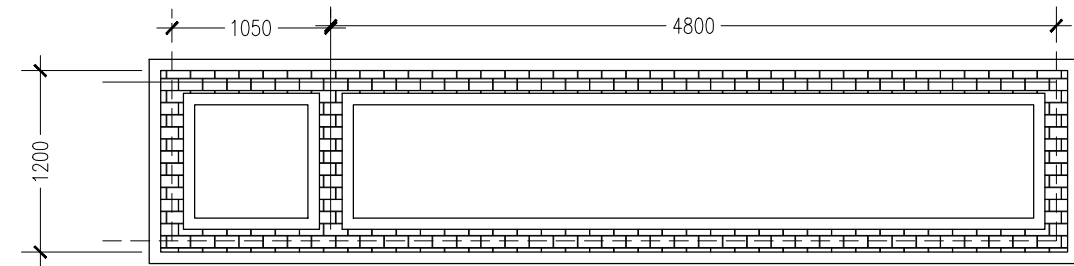
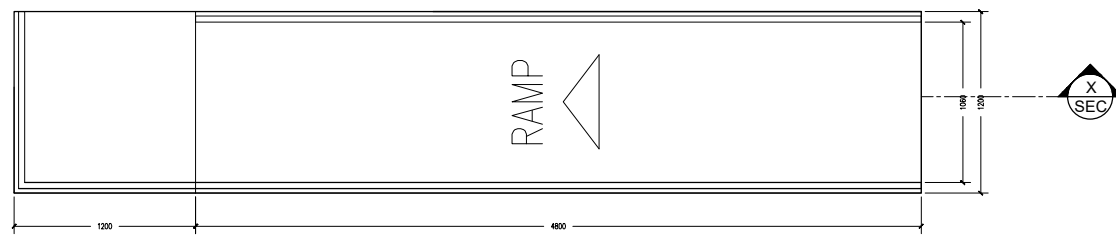
A-15

DWG NO

CONCEPT AND DESIGN IN THIS DRAWING ARE THE PROPERTIES OF ARCHENG STUDIO PVT LTD. UNAUTHORIZED USE OR REPRODUCTION OF PART OF THE DESIGN, DRAWINGS OR CONCEPT TO USE IN OTHER PROJECTS OR SITES OTHER THAN SPECIFIED ON THIS DRAWING IS PROHIBITED



GROUND SLAB PLAN
SCALE 1:50



RAMP DETAIL PLAN
SCALE 1:50

CONTRACTORS MUST CHECK ALL DIMENSIONS ON SITE BEFORE STARTING ANY WORK OR SHOP DRAWINGS. FIGURED DIMENSIONS TO TAKE PRECEDENCE OVER SCALE READINGS



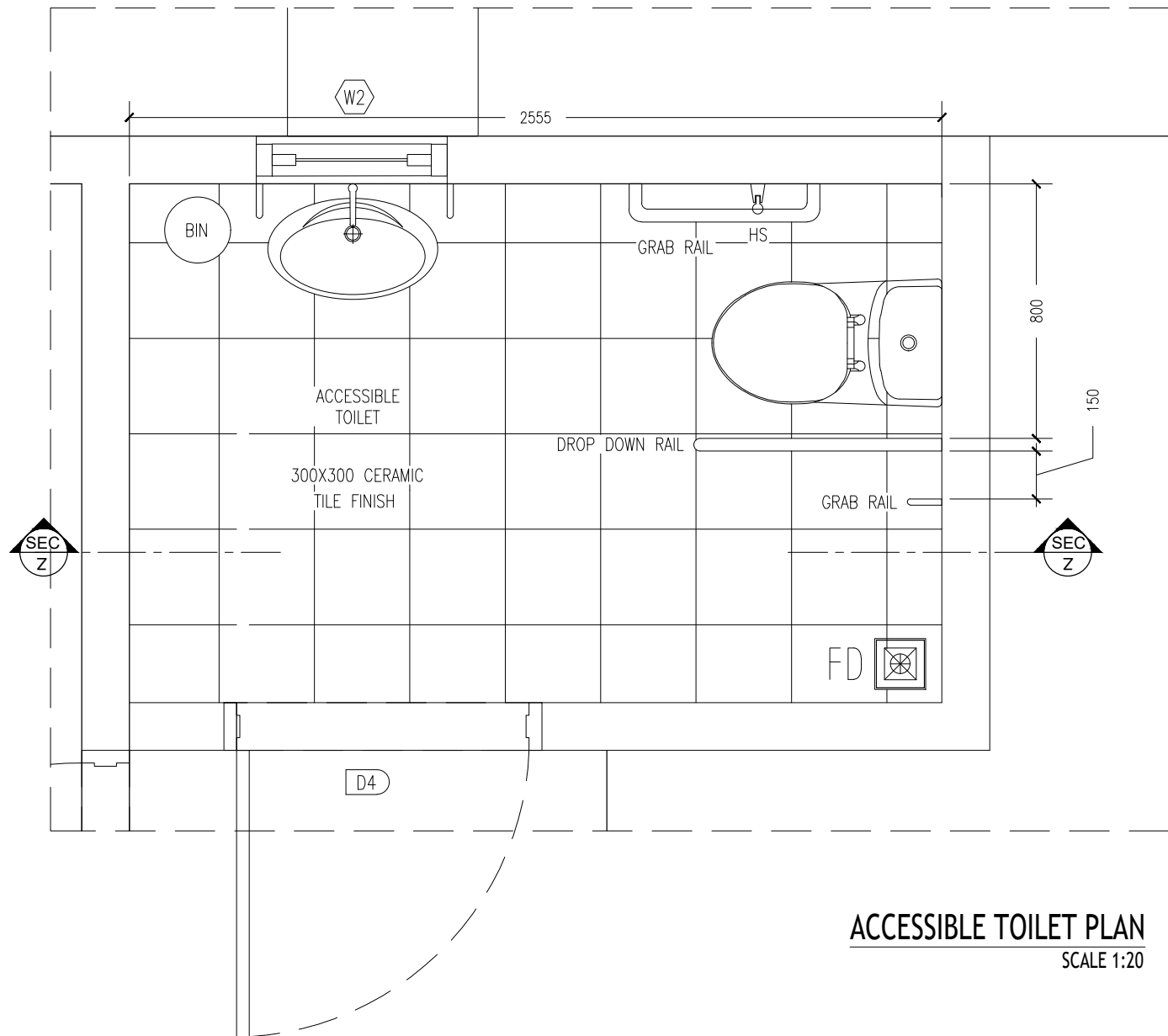
REVISION:	ARCHITECT:	PROJECT:	MALDIVES POLYTECHNIC, SEENU. HITHADHOO CAMPUS
	ENGINEER:	LOCATION:	SEENU. HITHADHOO
	ARCHITECTURAL CHECKER:	DRAWING TITLE:	AS GIVEN
	STRUCTURAL CHECKER:	CLIENT:	MINISTRY OF HIGHER EDUCATION
	DRAWN BY: AISHATH HAMRA	SCALE: AS GIVEN	DIMENSION: MM
		DATE: SEPTMBER 2021	

A-16

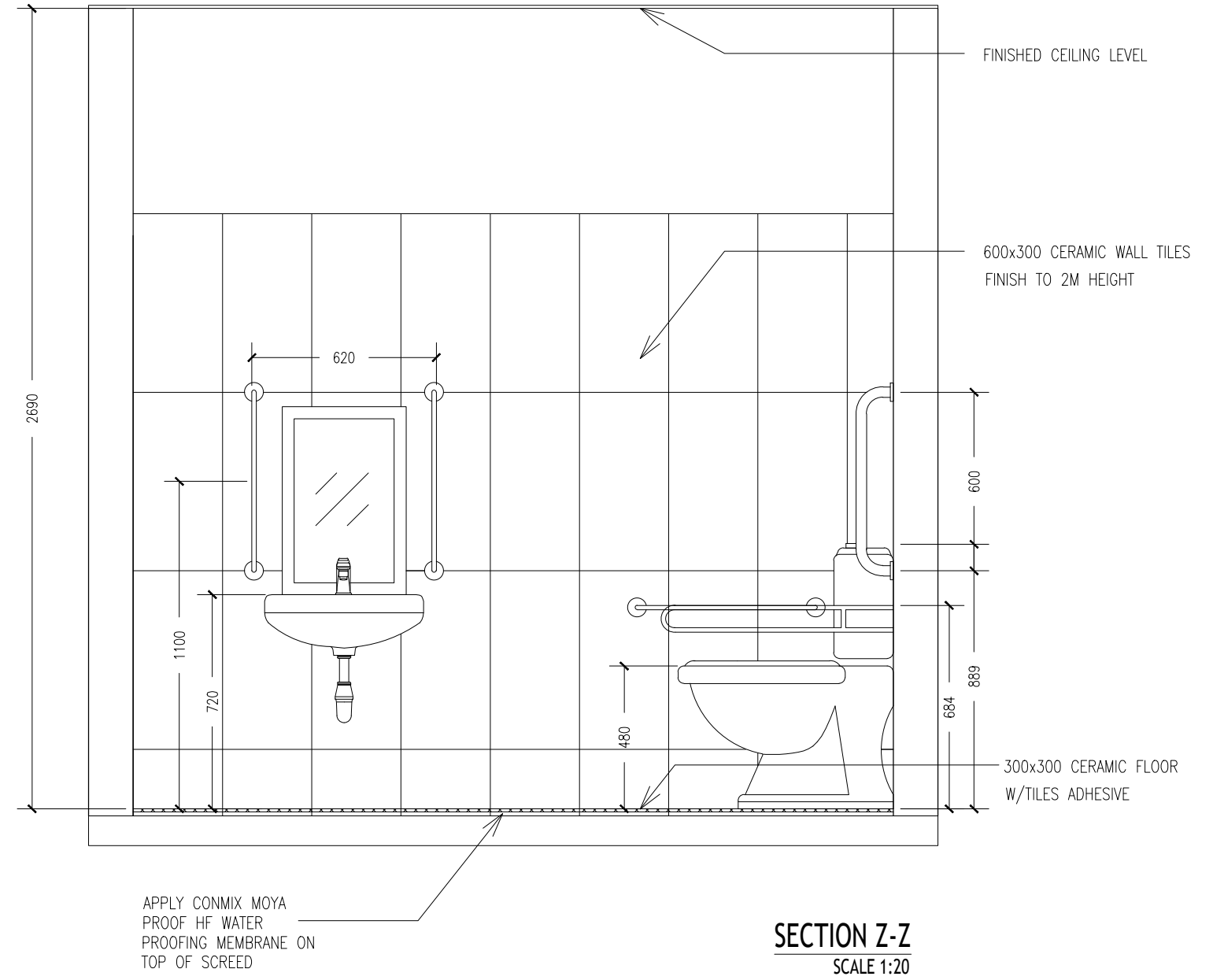
DWG NO

PROJECT NO: 21-001

CONCEPT AND DESIGN IN THIS DRAWING ARE THE PROPERTIES OF ARCHENG STUDIO PVT LTD. UNAUTHORIZED USE OR REPRODUCTION OF PART OF THE DESIGN, DRAWINGS OR CONCEPT TO USE IN OTHER PROJECTS OR SITES OTHER THAN SPECIFIED ON THIS DRAWING IS PROHIBITED



ACCESSIBLE TOILET PLAN
SCALE 1:20



SECTION Z-Z
SCALE 1:20

CONTRACTORS MUST CHECK ALL DIMENSIONS ON SITE BEFORE STARTING ANY WORK OR SHOP DRAWINGS. FIGURED DIMENSIONS TO TAKE PRECEDENCE OVER SCALE READINGS

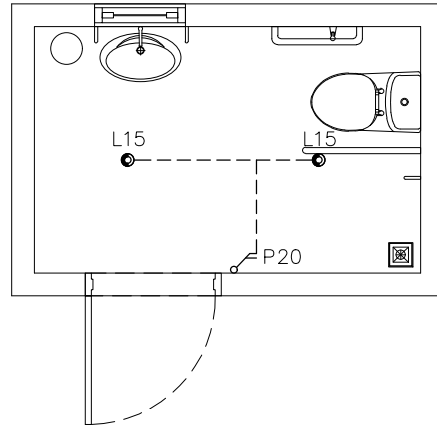


REVISION:	ARCHITECT:	PROJECT:	MALDIVES POLYTECHNIC, SEENU. HITHADHOO CAMPUS
	ENGINEER:	LOCATION:	SEENU. HITHADHOO
	ARCHITECTURAL CHECKER:	DRAWING TITLE:	AS GIVEN
	STRUCTURAL CHECKER:	CLIENT:	MINISTRY OF HIGHER EDUCATION
	DRAWN BY: AISHATH HAMRA	SCALE: AS GIVEN	DIMENSION: MM
		DATE: SEPTMBER 2021	

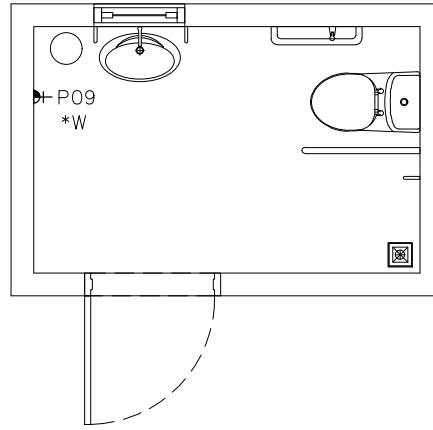
A-17

DWG NO
PROJECT NO: 21-001

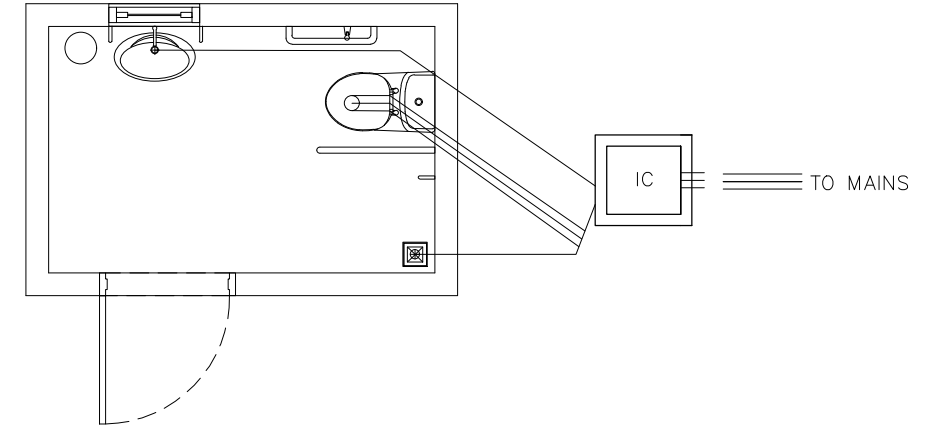
CONCEPT AND DESIGN IN THIS DRAWING ARE THE PROPERTIES OF ARCHENG STUDIO PVT LTD. UNAUTHORIZED USE OR REPRODUCTION OF PART OF THE DESIGN, DRAWINGS OR CONCEPT TO USE IN OTHER PROJECTS OR SITES OTHER THAN SPECIFIED ON THIS DRAWING IS PROHIBITED



ACCESSIBLE TOILET LIGHTING LAUOUT PLAN
SCALE 1:50



ACCESSIBLE TOILET SOCKET LAUOUT PLAN
SCALE 1:50



ACCESSIBLE TOILET SEWAGE & WASTE DISPOSAL PLAN
SCALE 1:50

LIGHTING LEGEND

●	L15	1X16W ENERGY SAVING SLAB MOUNT WARM COMPACT FLUORESCENT LAMPS IN RECESSED DECORATIVE LUMINAIRE
---	-----	--

SWITCHS LEGEND

⏏	P20	2GANG 1 WAY SWITCH
---	-----	--------------------

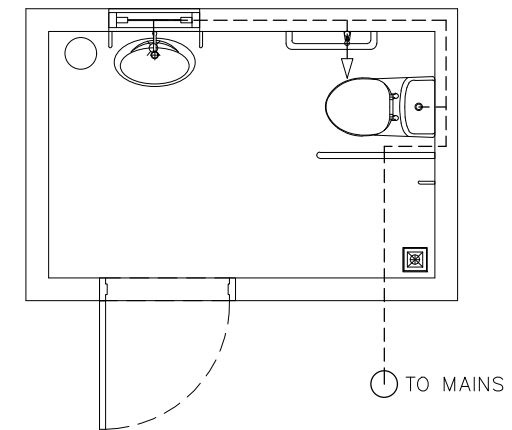
ELECTRICAL LEGEND

SYMBOL	CODE	DESCRIPTION
⏏	P09	1 GANG13A SOCKET OUTLET AT 1200mm ABOVE FINISHED FLOOR LEVEL

*W SOCKET INSTALLED INSIDE WEATHER PROOF COVER

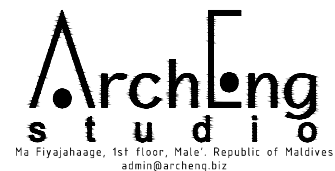
LEGEND

SYMBOL	DESCRIPTION
↗	TAP
→	MUSLIM SHOWER
-----	WATER SUPPLY (ø12-ø35)
⊗	FLOOR DRAIN
———	UPVC HIGH PRESSURE WASTE WATER PIPE (ø75-ø100)
≡≡≡	SEWAGE DISPOSAL (ø100-ø150)
IC	INSPECTION CHAMBER



ACCESSIBLE TOILET FRESH WATER SUPPLY PLAN
SCALE 1:50

CONTRACTORS MUST CHECK ALL DIMENSIONS ON SITE BEFORE STARTING ANY WORK OR SHOP DRAWINGS. FIGURED DIMENSIONS TO TAKE PRECEDENCE OVER SCALE READINGS

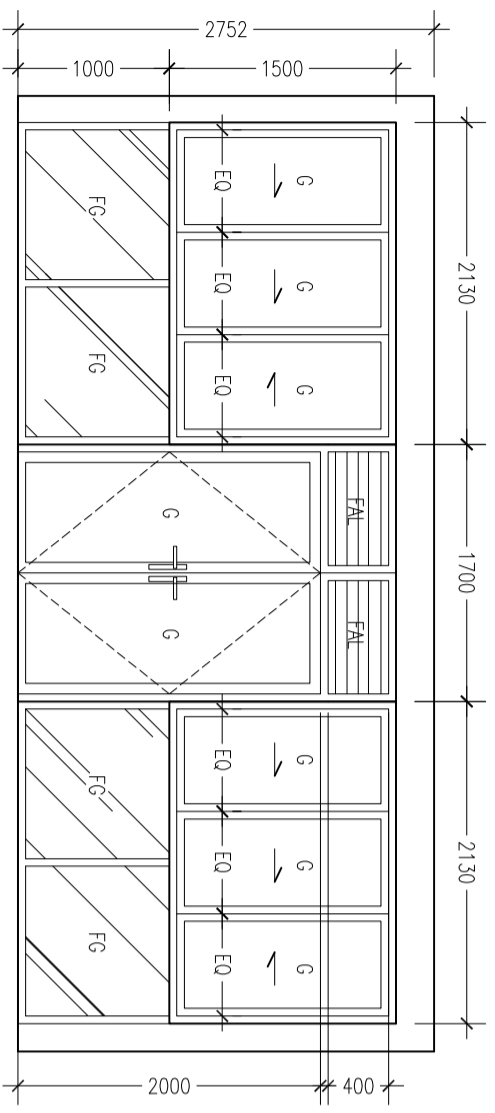
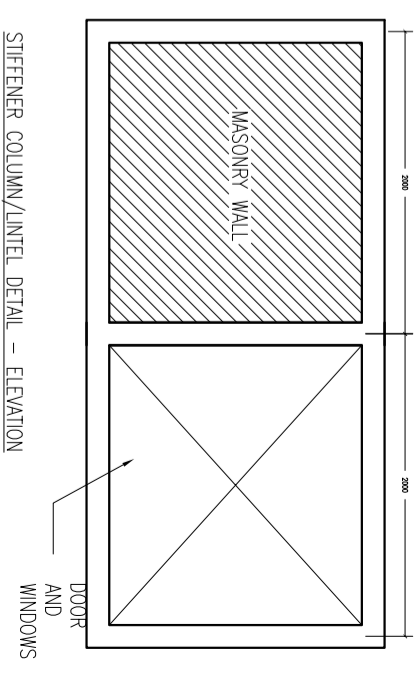
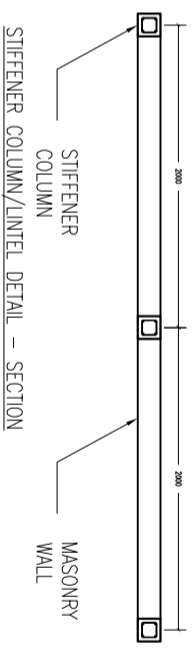
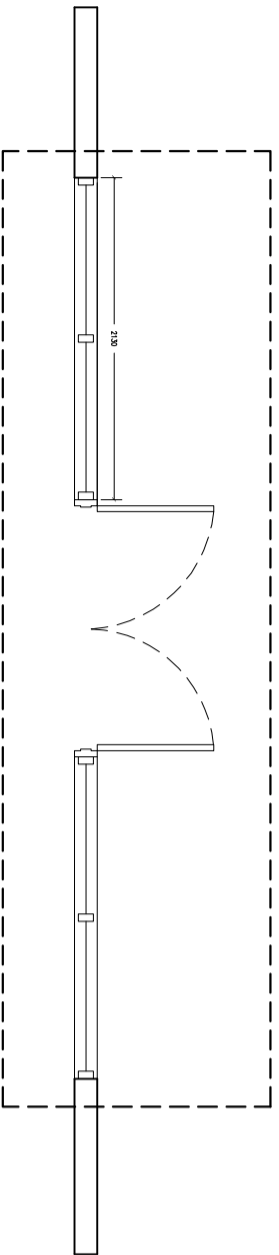


REVISION:	ARCHITECT:	PROJECT:	MALDIVES POLYTECHNIC, SEENU. HITHADHOO CAMPUS
	ENGINEER:	LOCATION:	SEENU. HITHADHOO
	ARCHITECTURAL CHECKER:	DRAWING TITLE:	AS GIVEN
	STRUCTURAL CHECKER:	CLIENT:	MINISTRY OF HIGHER EDUCATION
	DRAWN BY: AISHATH HAMRA	SCALE: AS GIVEN	DIMENSION: MM
		DATE: SEPTMBER 2021	PROJECT NO: 21-001

A-18

DWG NO

CONCEPT AND DESIGN IN THIS DRAWING ARE THE PROPERTIES OF ARCHENG STUDIO PVT LTD. UNAUTHORIZED USE OR REPRODUCTION OF PART OF THE DESIGN, DRAWINGS OR CONCEPT TO USE IN OTHER PROJECTS OR SITES OTHER THAN SPECIFIED ON THIS DRAWING IS PROHIBITED



PROPOSED ENTRANCE
SCALE 1:50

CONTRACTORS MUST CHECK ALL DIMENSIONS ON SITE BEFORE STARTING ANY WORK OR SHOP DRAWINGS. FIGURED DIMENSIONS TO TAKE PRECEDENCE OVER SCALE READINGS



REVISION:	ARCHITECT:	PROJECT:	MALDIVES POLYTECHNIC, SEENU, HITHADHOO CAMPUS
	ENGINEER:	LOCATION:	SEENU, HITHADHOO
	ARCHITECTURAL CHECKER:	DRAWING TITLE:	AS GIVEN
	STRUCTURAL CHECKER:	CLIENT:	MINISTRY OF HIGHER EDUCATION
	DRAWN BY:	SCALE:	AS GIVEN
	ASHATHI HAMRA	DIMENSION:	MM
		DATE:	SEPTEMBER 2021
		PROJECT NO.:	21-001
		DWG NO.:	A-19

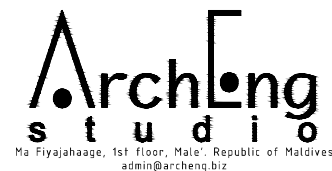
CONCEPT AND DESIGN IN THIS DRAWING ARE THE PROPERTIES OF ARCHENG STUDIO PVT.LTD. UNAUTHORIZED USE OR REPRODUCTION OF PART OF THE DESIGN DRAWINGS OR CONCEPT TO USE IN OTHER PROJECTS OR SITES OTHER THAN SPECIFIED ON THIS DRAWING IS PROHIBITED

ELEVATIONS :			
	FINISH FLOOR LEVEL		
DR / WD NO.	D1A	D3	D4
DESCRIPTION :	40MM THICK OPENABLE ALUMINIUM DOOR PANEL WITH SLIDING WINDOWS AND FIXED GLASS	40MM THICK OPENABLE READY MADE SOLID TIMBER DOOR PANELS	40MM THICK OPENABLE ALUMINIUM DOOR PANEL
FRAME :	40 MICRON WHITE POWDER COATED ALUMINIUM FRAME	120MM TIMBER FRAME	120MM TIMBER FRAME
HARDWARE :	DOOR CLOSER LOCK BUTT HINGE STOPPER HOLDER	01 NO. OPENABLE DOOR PANEL 04 NOS. HINGES 01 NO. LOCK	DOOR CLOSER LATCH LOCK AND SS DOOR HANDLE BUTT HINGE STOPPER HOLDER
GLAZING :	6MM THICK CLEAR GLASS	-	-

PROPOSED DOOR/WINDOW SCHEDULE

SCALE 1:50

CONTRACTORS MUST CHECK ALL DIMENSIONS ON SITE BEFORE STARTING ANY WORK OR SHOP DRAWINGS. FIGURED DIMENSIONS TO TAKE PRECEDENCE OVER SCALE READINGS



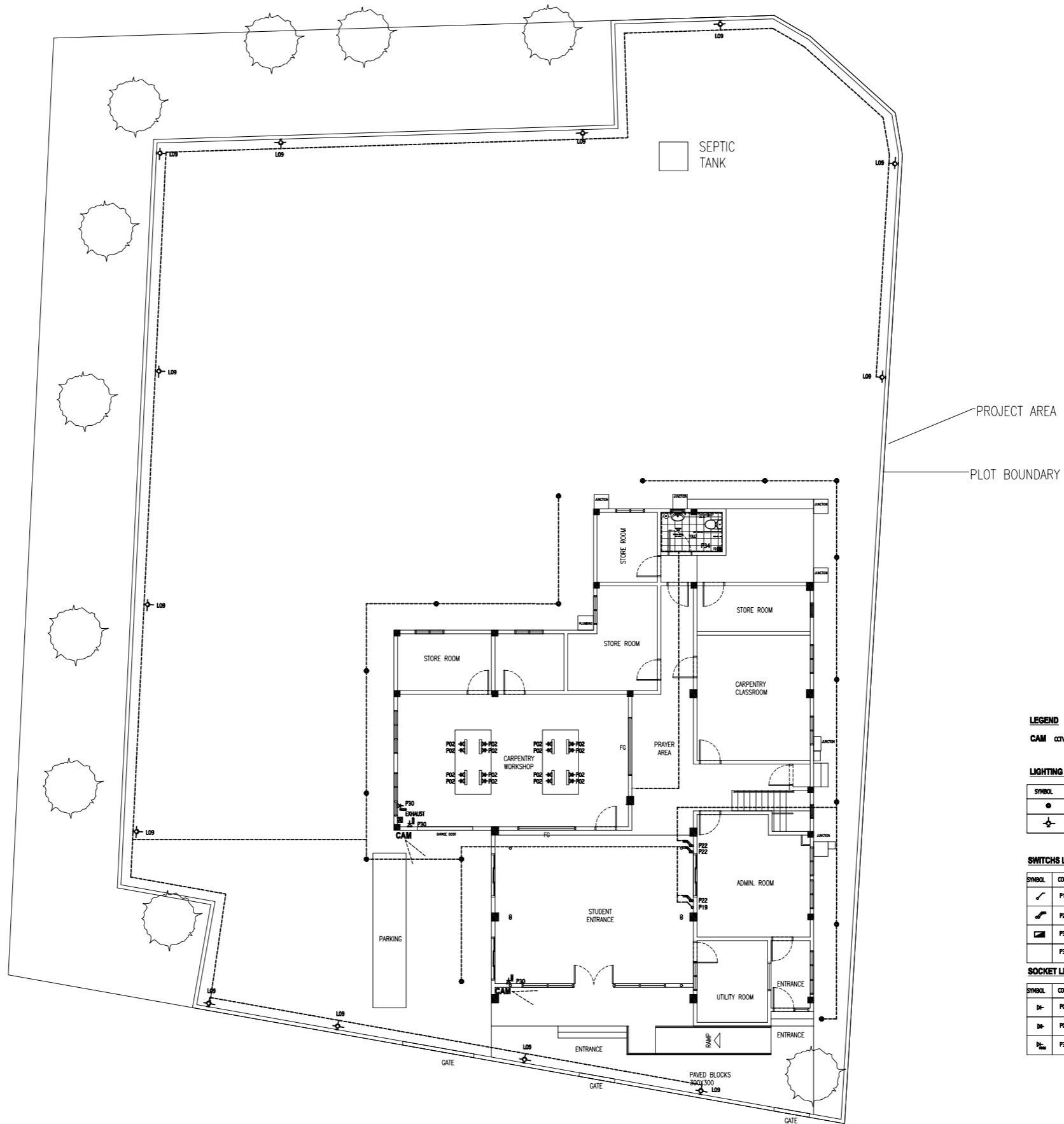
REVISION:

ARCHITECT:
ENGINEER:
ARCHITECTURAL CHECKER:
STRUCTURAL CHECKER:
DRAWN BY: AISHATH HAMRA

PROJECT: MALDIVES POLYTECHNIC, SEENU. HITHADHOO CAMPUS
LOCATION: SEENU. HITHADHOO
DRAWING TITLE: AS GIVEN
CLIENT: MINISTRY OF HIGHER EDUCATION
SCALE: AS GIVEN DIMENSION: MM DATE: SEPTMBER 2021

A-20

DWG NO
PROJECT NO: 21-001



PROJECT AREA

PLOT BOUNDARY

LEGEND

CAM CCTV CAMERA

LIGHTING LEGEND

SYMBOL	CODE	DESCRIPTION
●		WHITE LED GARDEN LIGHT
⊕	LO9	1200MM COMPACT FLUORESCENT LAMPS IN SURFACE MOUNT DECORATIVE LUMINAIRE

SWITCHES LEGEND

SYMBOL	CODE	DESCRIPTION
⎓	P19	1 GANG 1 WAY SWITCH
⎓	P22	4 GANG 1 WAY SWITCH
⎓	P33	DISTRIBUTION BOARD
⎓	P34	REMOTE INDICATOR ALARM CHIRP 300 MM ABOVE FLOOR FINISH LEVEL

SOCKET LEGEND

SYMBOL	CODE	DESCRIPTION
⎓	P01	1 GANG 13A SOCKET OUTLET AT 300mm ABOVE FINISHED FLOOR LEVEL
⎓	P02	2 GANG 13A SOCKET OUTLET AT GROUND LEVEL
⎓	P30	1 GANG 13A SOCKET OUTLET AT CEILING LEVEL FOR WIDEN HOOD EXHAUST - 2.1 METERS RL

SITE PLAN - PROPOSED PLAN

SCALE 1:200

CONTRACTORS MUST CHECK ALL DIMENSIONS ON SITE BEFORE STARTING ANY WORK OR SHOP DRAWINGS, FIGURED DIMENSIONS TO TAKE PRECEDENCE OVER SCALE READINGS



REVISION:

REVISION 1
BOUNDARY WALL

ARCHITECT:

ENGINEER:

ARCHITECTURAL CHECKER:

STRUCTURAL CHECKER:

DRAWN BY:

AISHATH HAMRA

PROJECT:

MALDIVES POLYTECHNIC, SEENU. HITHADHOO CAMPUS

LOCATION:

SEENU. HITHADHOO

DRAWING TITLE:

AS GIVEN

CLIENT:

MINISTRY OF HIGHER EDUCATION

SCALE: AS GIVEN

DIMENSION: MM

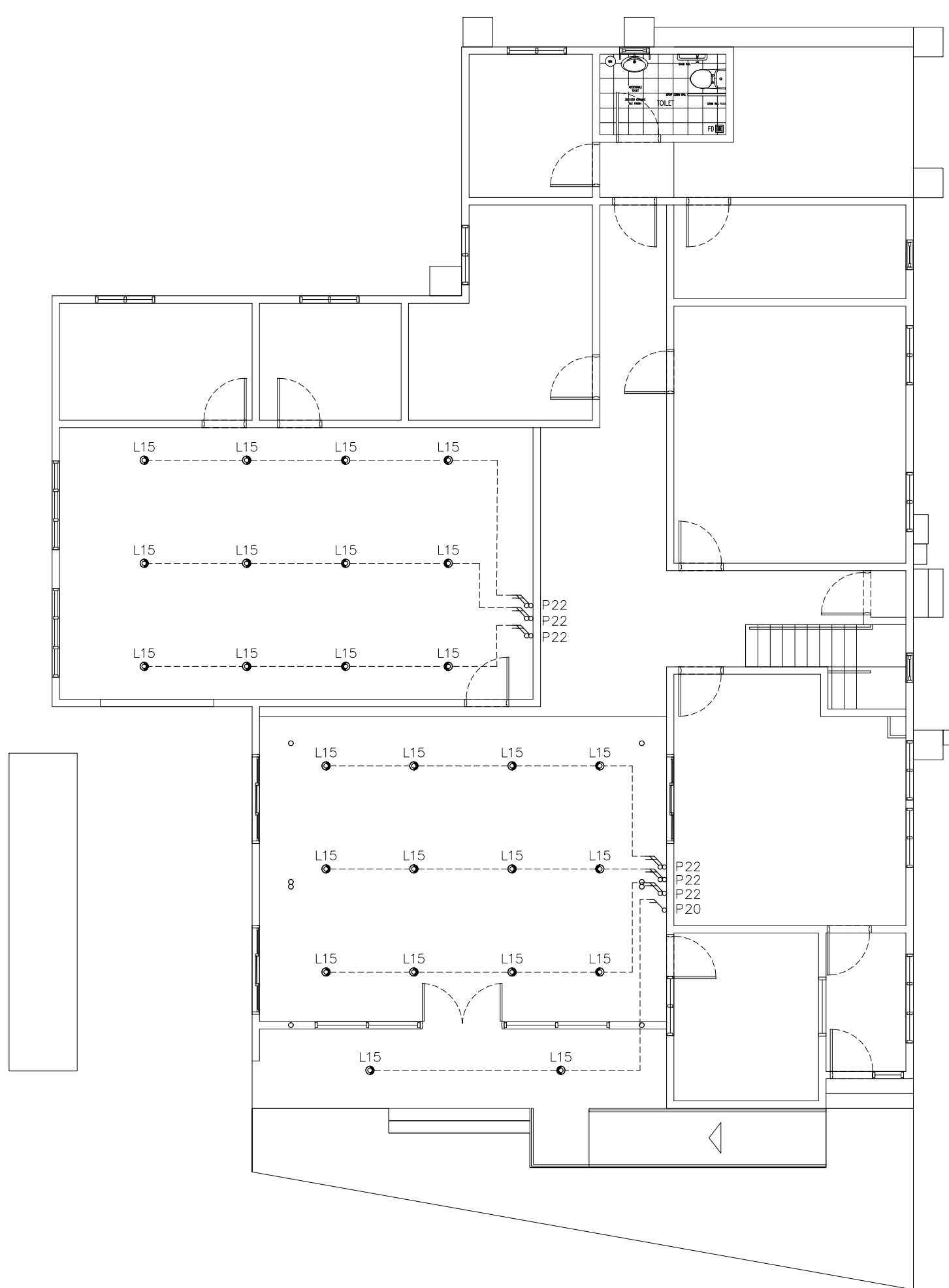
DATE: SEPTEMBER 2021

A-21

DWG NO

PROJECT NO: 21-001

CONCEPT AND DESIGN IN THIS DRAWING ARE THE PROPERTIES OF ARCHENG STUDIO PVT LTD. UNAUTHORIZED USE OR REPRODUCTION OF PART OF THE DESIGN, DRAWINGS OR CONCEPT TO USE IN OTHER PROJECTS OR SITES OTHER THAN SPECIFIED ON THIS DRAWING IS PROHIBITED



LIGHTING LEGEND

SYMBOL	CODE	DESCRIPTION
●	L15	1X16W ENERGY SAVING SLAB MOUNT WARM COMPACT FLUORESCENT LAMPS IN RECESSED DECORATIVE LUMINAIRE

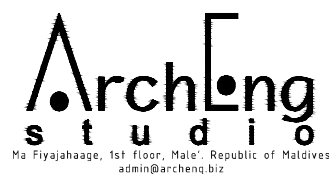
SWITCHES LEGEND

SYMBOL	CODE	DESCRIPTION
⌚	P20	2 GANG 1 WAY SWITCH
⌚	P22	4 GANG 1 WAY SWITCH

GROUND FLOOR PLAN - PROPOSED PLAN

SCALE 1:100

CONTRACTORS MUST CHECK ALL DIMENSIONS ON SITE BEFORE STARTING ANY WORK OR SHOP DRAWINGS. FIGURED DIMENSIONS TO TAKE PRECEDENCE OVER SCALE READINGS



REVISION:

ARCHITECT:

ENGINEER:

ARCHITECTURAL CHECKER:

STRUCTURAL CHECKER:

DRAWN BY:

AISHATH HAMRA

PROJECT:

LOCATION:

DRAWING TITLE:

CLIENT:

SCALE: AS GIVEN

DIMENSION: MM

DATE: SEPTMBER 2021

MALDIVES POLYTECHNIC, SEENU. HITHADHOO CAMPUS

SEENU. HITHADHOO

AS GIVEN

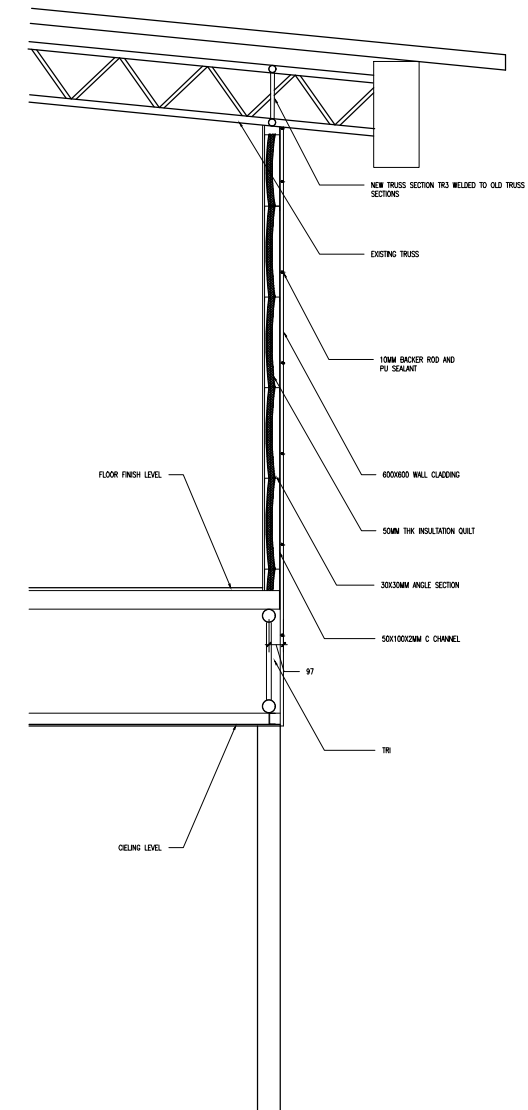
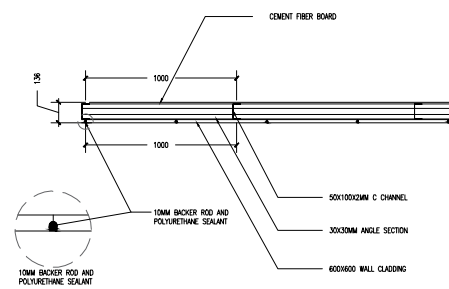
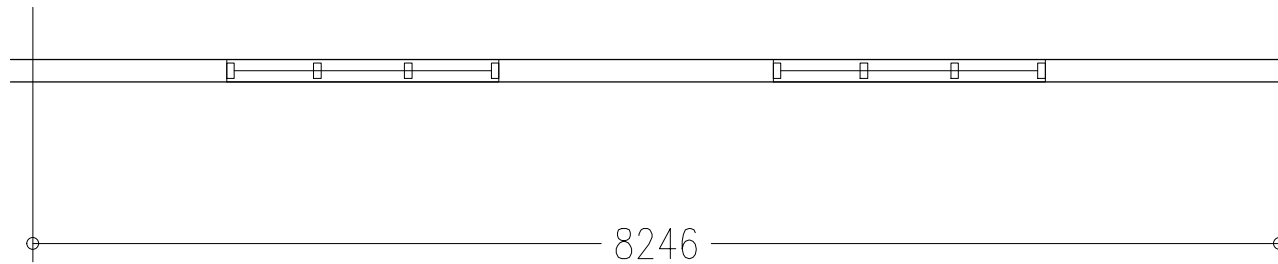
MINISTRY OF HIGHER EDUCATION

A-22

DWG NO

PROJECT NO: 21-001

CONCEPT AND DESIGN IN THIS DRAWING ARE THE PROPERTIES OF ARCHENG STUDIO PVT LTD. UNAUTHORIZED USE OR REPRODUCTION OF PART OF THE DESIGN, DRAWINGS OR CONCEPT TO USE IN OTHER PROJECTS OR SITES OTHER THAN SPECIFIED ON THIS DRAWING IS PROHIBITED



DECK LEVEL EXTERIOR WALL AND CLADDING DETAIL
SCALE 1:50

CONTRACTORS MUST CHECK ALL DIMENSIONS ON SITE BEFORE STARTING ANY WORK OR SHOP DRAWINGS. FIGURED DIMENSIONS TO TAKE PRECEDENCE OVER SCALE READINGS



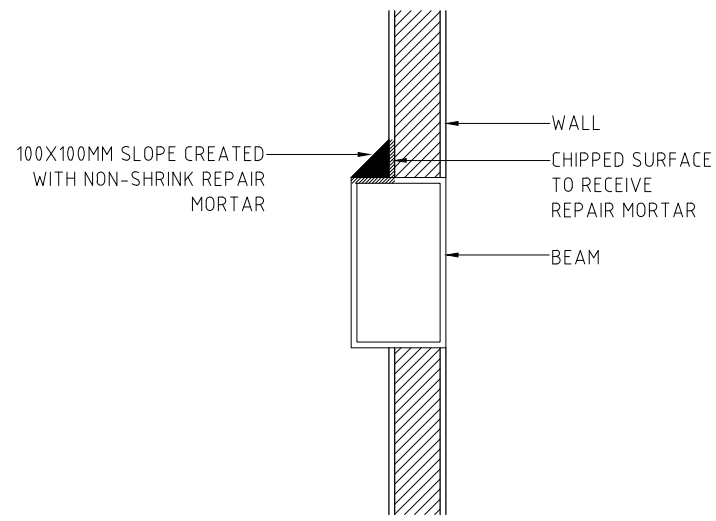
REVISION:	ARCHITECT:	PROJECT:	MALDIVES POLYTECHNIC, SEENU. HITHADHOO CAMPUS
	ENGINEER:	LOCATION:	SEENU. HITHADHOO
	ARCHITECTURAL CHECKER:	DRAWING TITLE:	AS GIVEN
	STRUCTURAL CHECKER:	CLIENT:	MINISTRY OF HIGHER EDUCATION
	DRAWN BY: AISHATH HAMRA	SCALE: AS GIVEN	DIMENSION: MM
		DATE: SEPTMBER 2021	

A-23

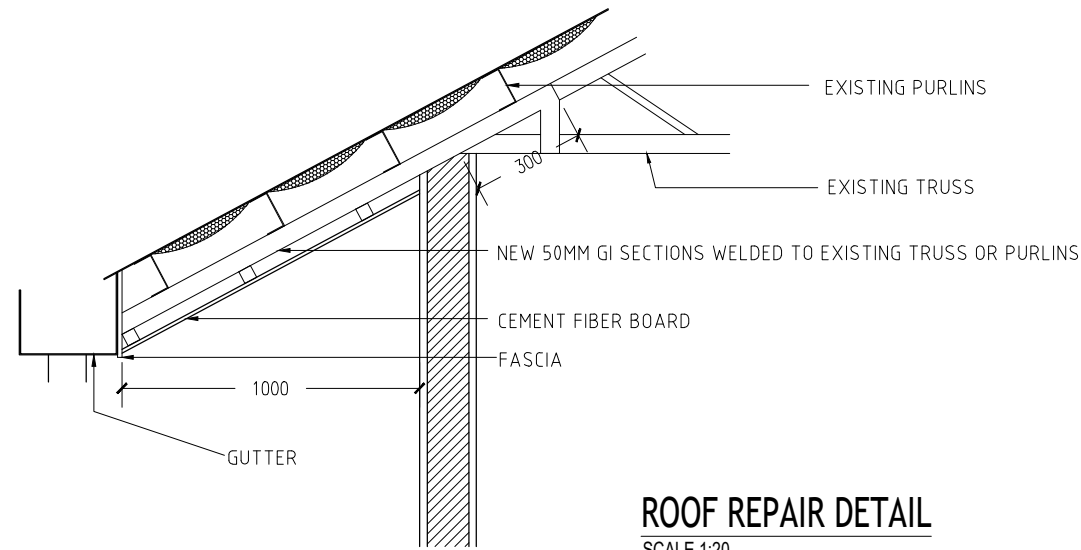
DWG NO

PROJECT NO: 21-001

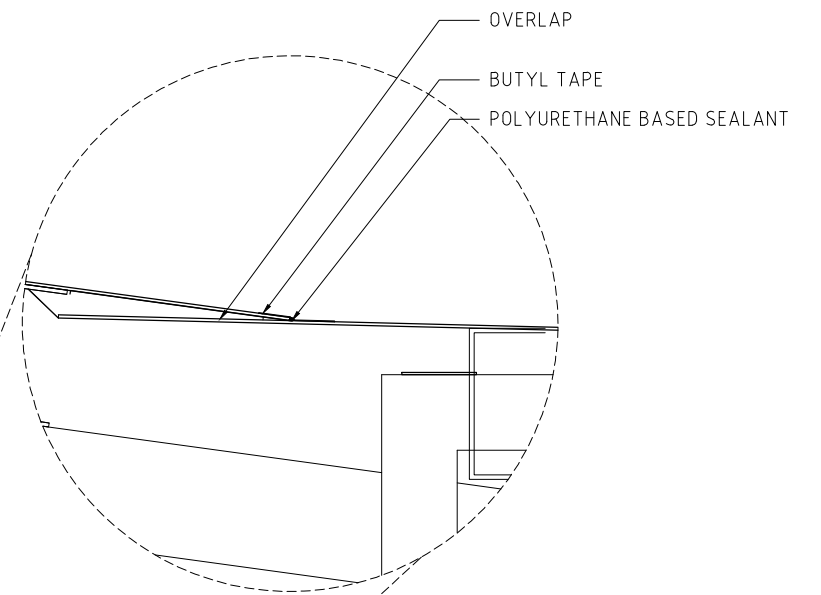
CONCEPT AND DESIGN IN THIS DRAWING ARE THE PROPERTIES OF ARCHENG STUDIO PVT LTD. UNAUTHORIZED USE OR REPRODUCTION OF PART OF THE DESIGN, DRAWINGS OR CONCEPT TO USE IN OTHER PROJECTS OR SITES OTHER THAN SPECIFIED ON THIS DRAWING IS PROHIBITED



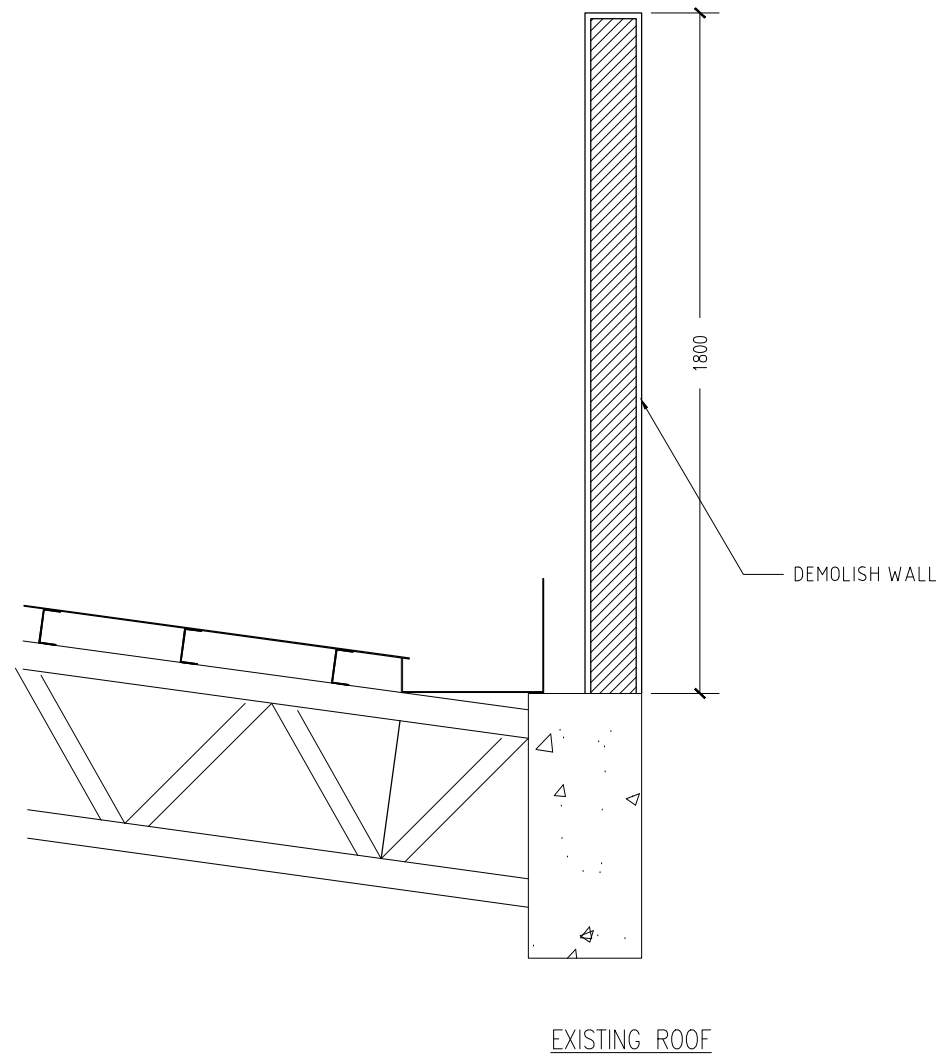
BEAM REPAIR DETAIL
SCALE 1:20



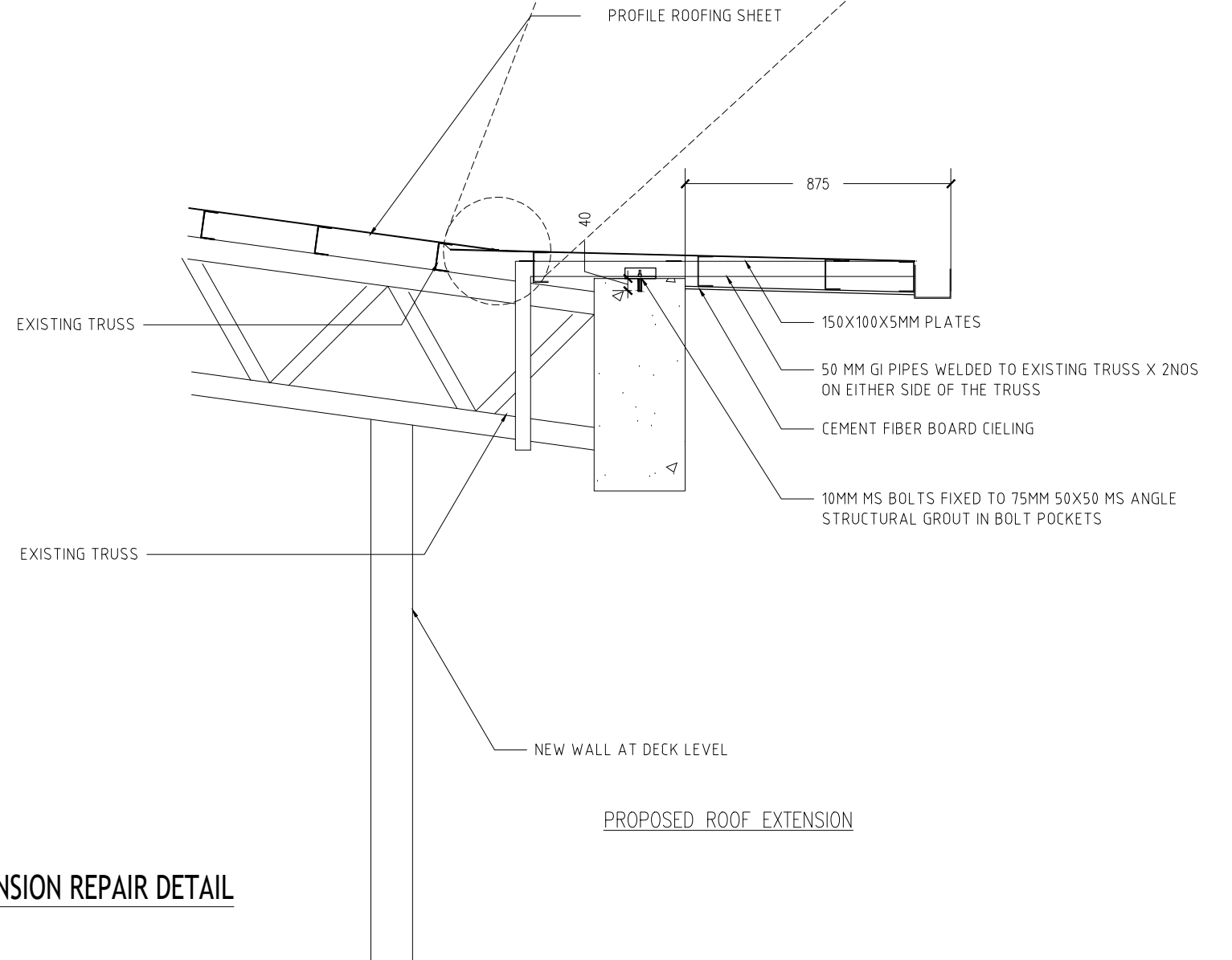
ROOF REPAIR DETAIL
SCALE 1:20



PROFILE ROOFING SHEET



ROOF EXTENSION REPAIR DETAIL
SCALE 1:20



PROPOSED ROOF EXTENSION

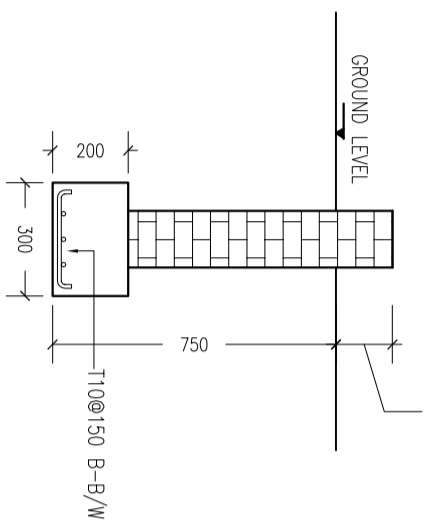
CONTRACTORS MUST CHECK ALL DIMENSIONS ON SITE BEFORE STARTING ANY WORK OR SHOP DRAWINGS. FIGURED DIMENSIONS TO TAKE PRECEDENCE OVER SCALE READINGS



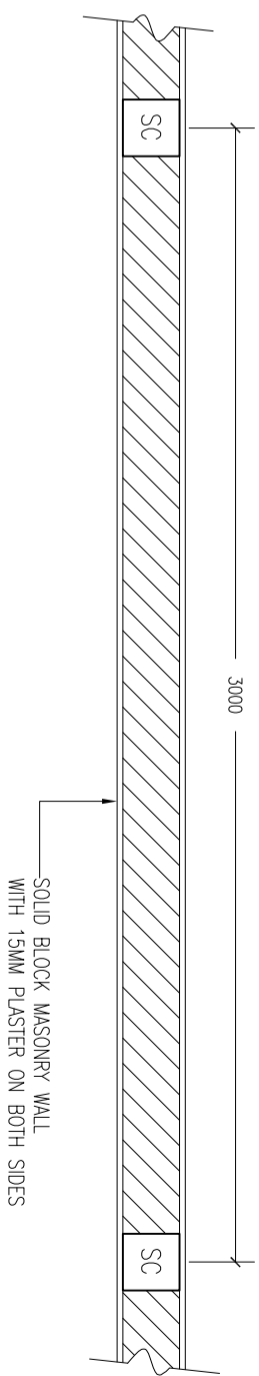
REVISION:	ARCHITECT:
	ENGINEER:
	ARCHITECTURAL CHECKER:
	STRUCTURAL CHECKER:
	DRAWN BY: AISHATH HAMRA

PROJECT:	MALDIVES POLYTECHNIC, SEENU. HITHADHOO CAMPUS
LOCATION:	SEENU. HITHADHOO
DRAWING TITLE:	AS GIVEN
CLIENT:	MINISTRY OF HIGHER EDUCATION
SCALE:	AS GIVEN
DIMENSION:	MM
DATE:	SEPTEMBER 2021

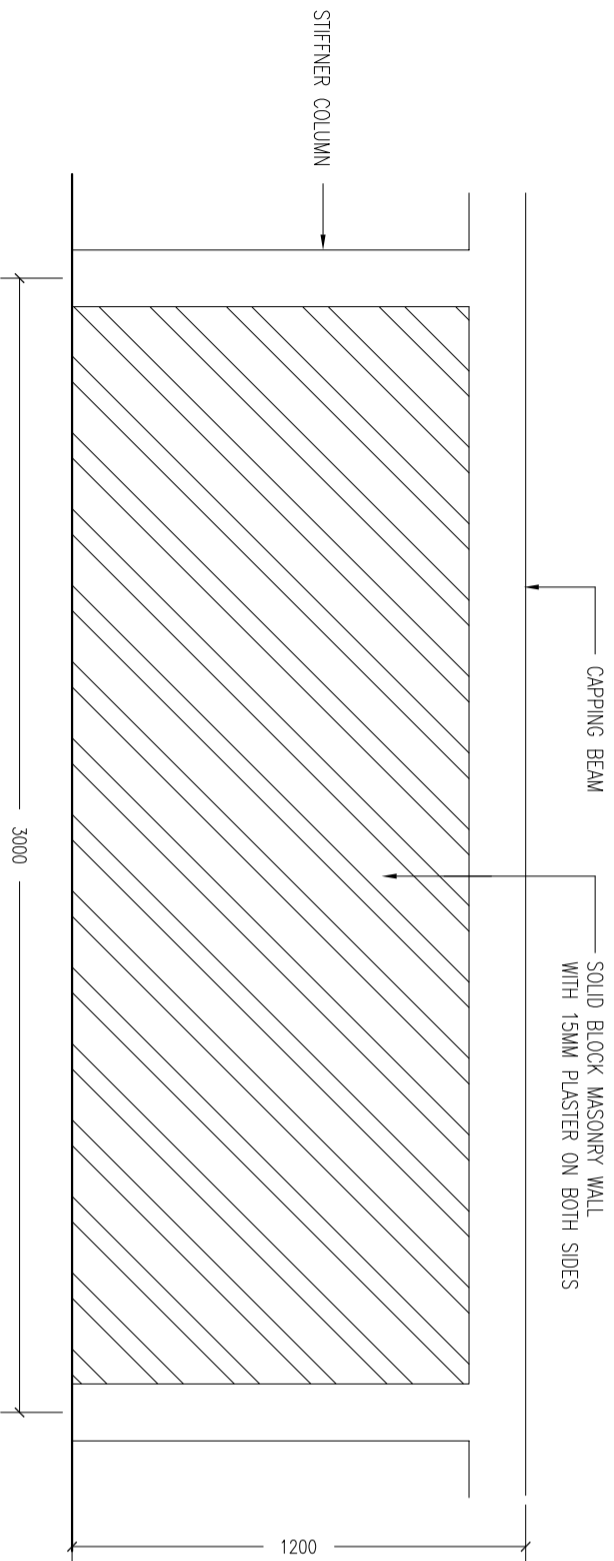
DWG NO	A-24
PROJECT NO:	21-001



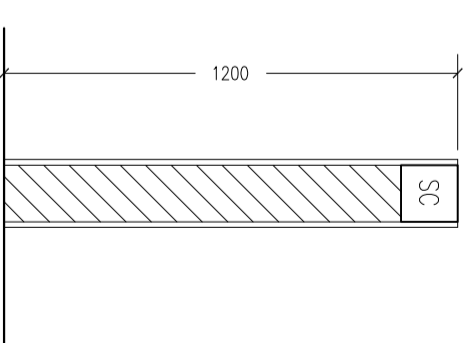
BOUNDARY WALL FOOTING
SCALE 1:20



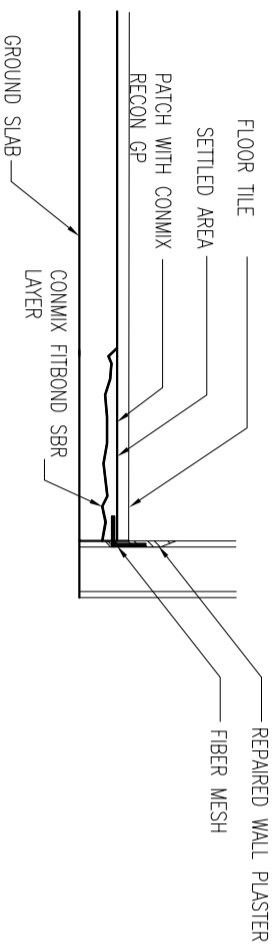
TYPICAL BOUNDARY WALL DETAIL-PLAN
SCALE 1:20



TYPICAL BOUNDARY - WALL DETAIL ELEVATION
SCALE 1:20



TYPICAL BOUNDARY WALL DETAIL SECTION
SCALE 1:20



SLAB REPAIR DETAILS
SCALE 1:20

CONTRACTORS MUST CHECK ALL DIMENSIONS ON SITE BEFORE STARTING ANY WORK OR SHOP DRAWINGS. FIGURED DIMENSIONS TO TAKE PRECEDENCE OVER SCALE READINGS

REVISION:	ARCHITECT:	PROJECT:	MALDIVES POLYTECHNIC, SEENU, HITHADHOO CAMPUS
	ENGINEER:	LOCATION:	SEENU, HITHADHOO
	ARCHITECTURAL CHECKER:	DRAWING TITLE:	AS GIVEN
	STRUCTURAL CHECKER:	CLIENT:	MINISTRY OF HIGHER EDUCATION
	DRAWN BY:	SCALE:	AS GIVEN
	ASHATH HAMBA	DIMENSION:	MM
		DATE:	SEPTEMBER 2021
CONCEPT AND DESIGN IN THIS DRAWING ARE THE PROPERTIES OF ARCHENG STUDIO PVT.LTD. UNAUTHORIZED USE OR REPRODUCTION OF PART OF THE DESIGN DRAWINGS OR CONCEPT TO USE IN OTHER PROJECTS OR SITES OTHER THAN SPECIFIED ON THIS DRAWING IS PROHIBITED			DWG NO
			PROJECT NO: 21-001
			A-25