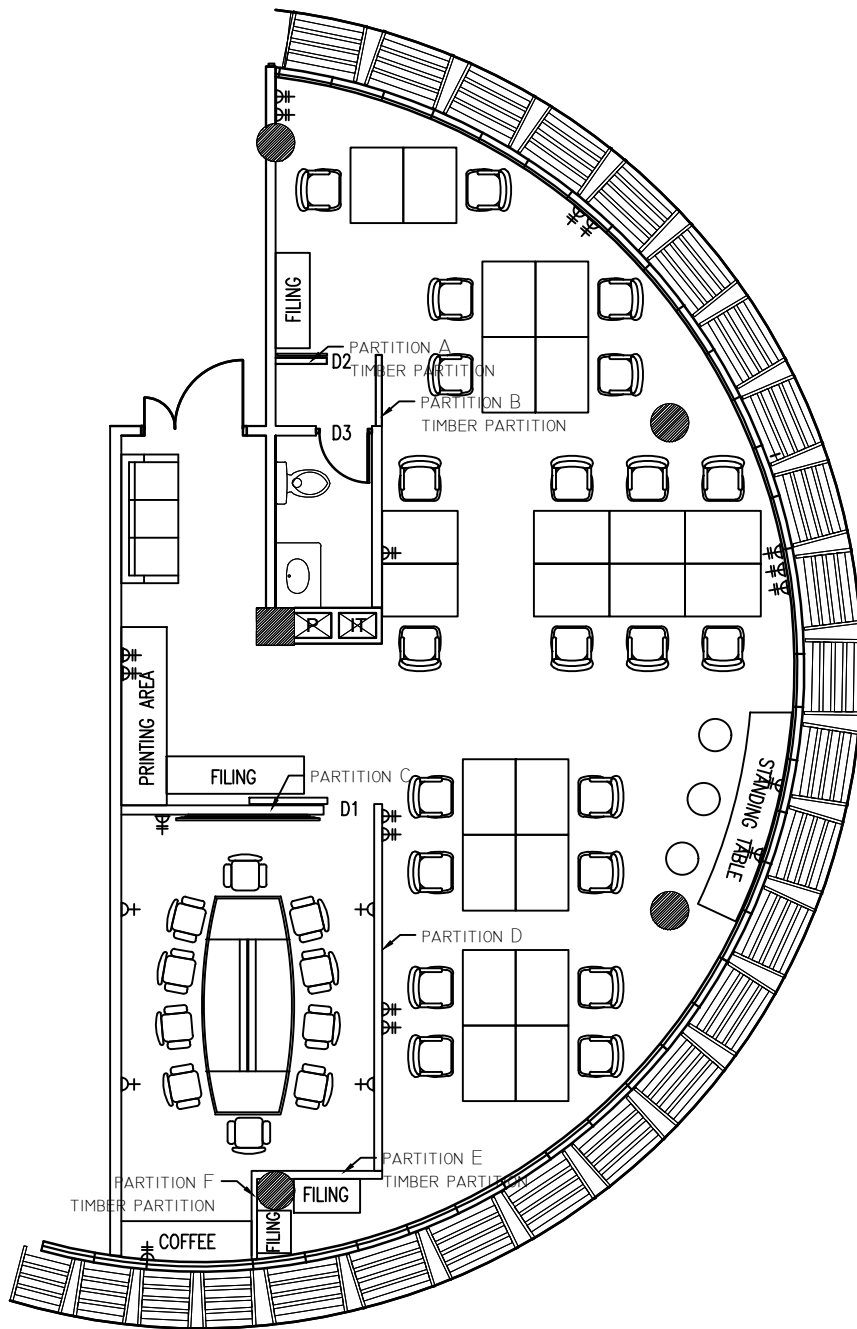


PROJECT:
4TH FLOOR RENOVATION

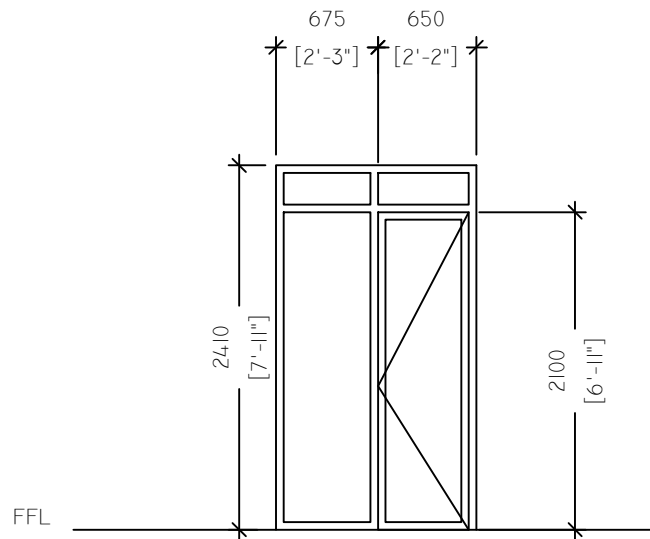
CLIENT
MINISTRY OF ECONOMIC
DEVELOPMENT

FLOOR PLAN



- D+ 1 GANG 13A SOCKET OUTLET
- D# 2 GANG 13A SOCKET OUTLET

PROJECT: 4TH FLOOR RENOVATION
CLIENT MINISTRY OF ECONOMIC DEVELOPMENT
ELECTRICAL PLAN



ELEVATION

NOTE:
CONTRACTOR TO TAKE SITE MEASUREMENTS

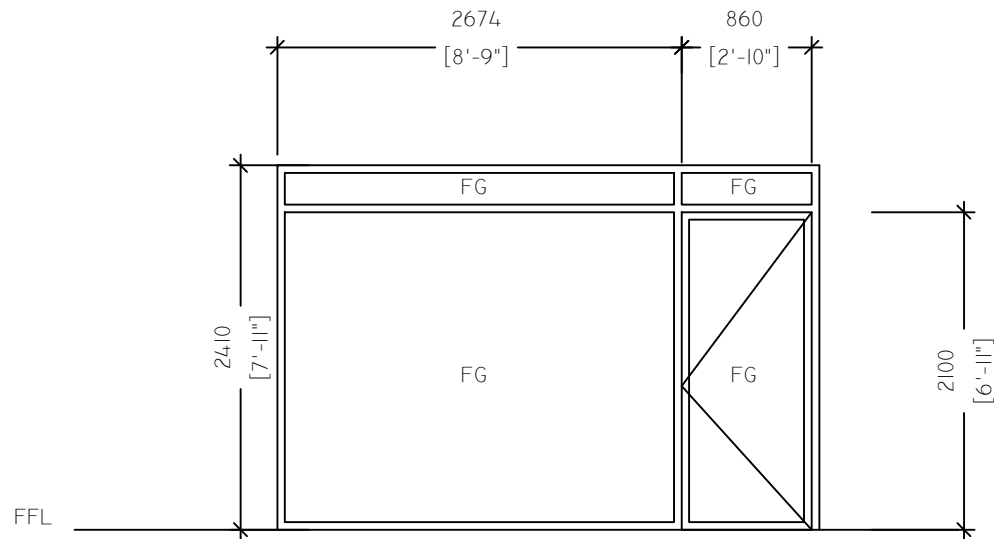
PARTITION 'A' - TIMBER PARTITION WITH SLIDING DOOR

1:50

PROJECT:
4TH FLOOR RENOVATION

CLIENT
MINISTRY OF ECONOMIC DEVELOPMENT

FLOOR PLAN



ELEVATION

NOTE:
 GSD - GLASS SWING DOOR
 FG - FIXED GLASS PANEL
 ALL GLASS TO BE 6MM THICK.

PARTITION 'C' - GLASS PARTITION WITH SLIDING DOOR

1:50

PROJECT: 4TH FLOOR RENOVATION
CLIENT MINISTRY OF ECONOMIC DEVELOPMENT
FLOOR PLAN