

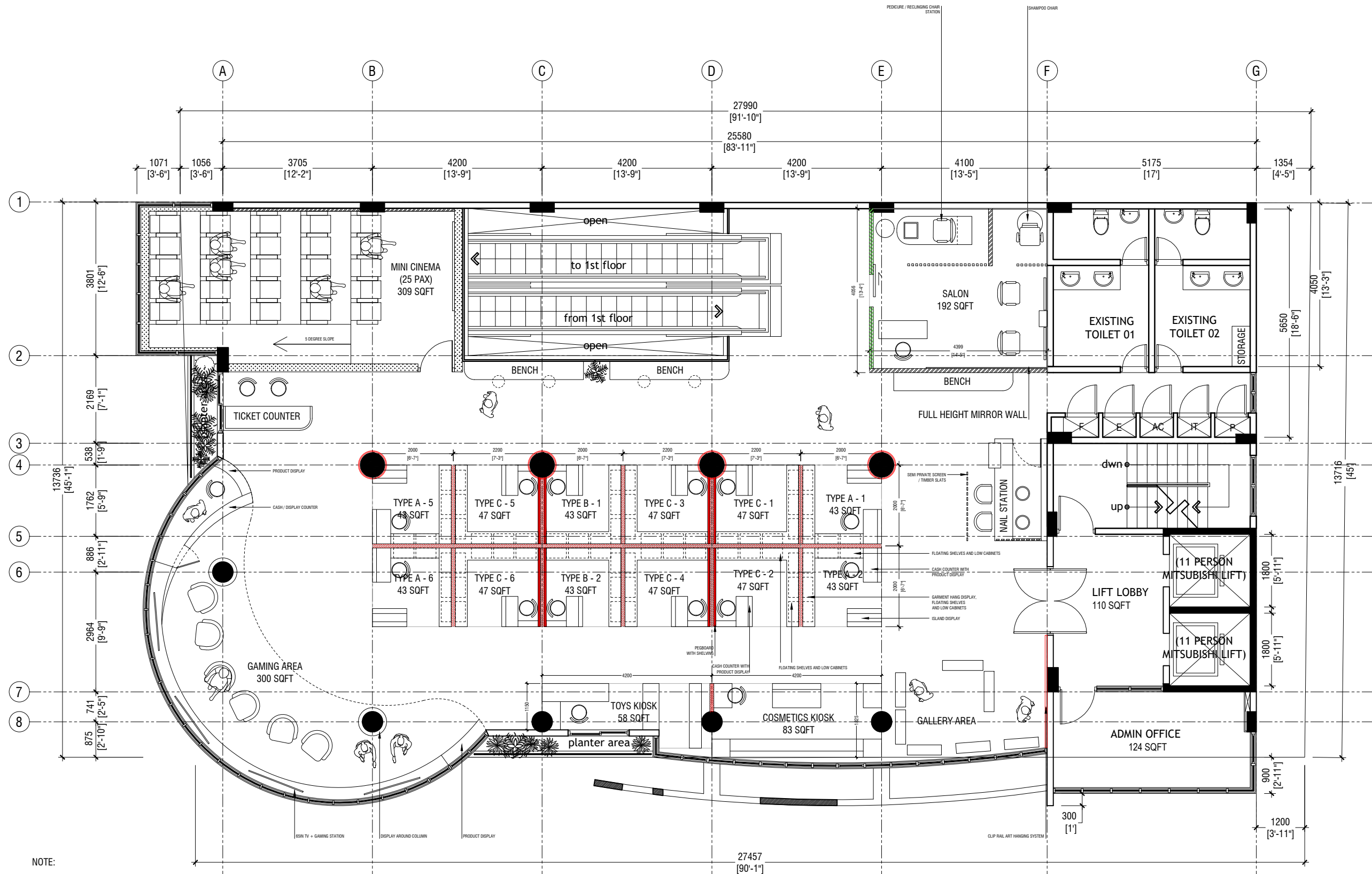
SME Hub Interior Design and Services (Second Floor)
Client: Business Center Corporation (BCC)
May 2022



RIYAN PRIVATE LIMITED

t: +9603315049 f: +9603310776
e: info@riyan.com.mv
w: www.riyan.com.mv

3rd floor, H. Azum, Aneeneemoggu, Male'



NOTE:

- PROPOSED 100MM GYPSUM THICK DRYWALL COMPLETE WITH SELECTED FINISH
- PROPOSED 100MM THK DRYWALL WITH 12MM THK GYPSUM + STEEL FRAMING STUDS (REF. TO DETAILS)
- PROPOSED 8MM THICK GLASS PARTITION WITH FROSTED STICKER @ 2400MM HT WITH 50MM MATTE BLACK ALUMINIUM FRAME (DRYWALL ABOVE)
- PROPOSED PLYWOOD / CEMENTBOARD PANELLING WITH TIMBER FRAME WITH SELECTED WALL FINISH
- PROPOSED 200MM THK SOUNDPROOF DRYWALL WITH INSULATION AND ACOUSTIC WALL FABRIC FINISH
- PEGBOARD WITH SHELVING

SECOND FLOOR PLAN - REVISION 5

SCALE 1:100



SME Hub Interior Design
Client: Business Center Corporation (BCC)

Rev no	By	Date

Project Number: R2117BCC
Date: May, 2022
Architect: -
Engineer: -
Drawn by: Abdulla Aman Mohamed
Services: -
Interior: Abdulla Aman Mohamed



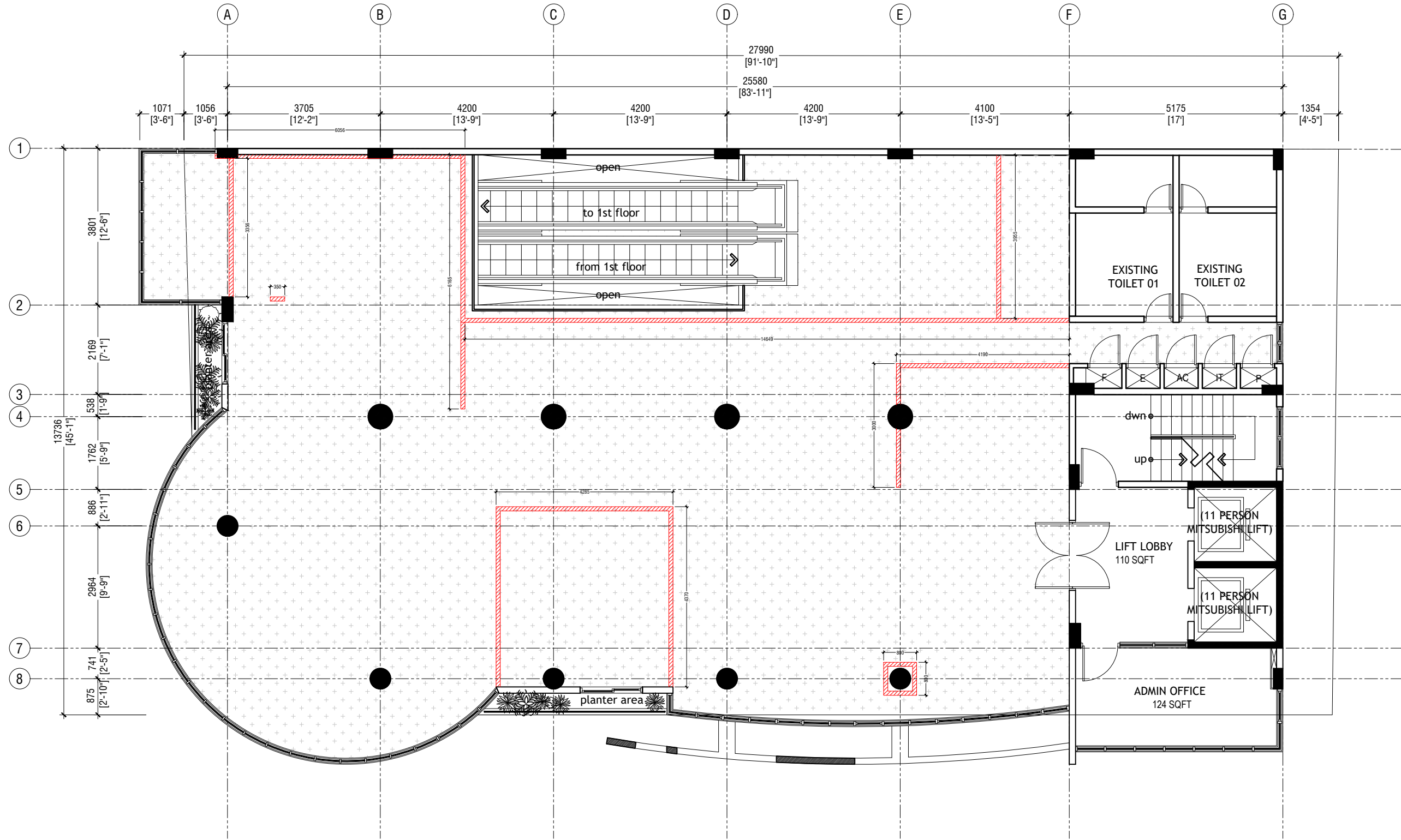
RYAN PRIVATE LIMITED

t: +9603315049 f: +9603310776
e: info@ryan.com.mv
w: www.ryan.com.mv
3rd floor, H. Azum, Ameenemagu, Male'



Title:

Page: A-01/34

The contents of these drawings remain as a property of RYAN PRIVATE LIMITED. Any use other than those expressly stated is a violation of this copyright.

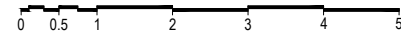


NOTE:

-  PARTITION TO BE DEMOLISHED
-  GRID PANEL CEILING TO BE DEMOLISHED/REMOVED

SECOND FLOOR DEMOLITION PLAN

SCALE 1:100



SME Hub Interior Design
Client: Business Center Corporation (BCC)

Project Number:	Rev no	By	Date
R2117BCC			
Date: May, 2022			
Architect: -			
Engineer: -			
Drawn by: Abdulla Aman Mohamed			
Services: -			
Interior: Abdulla Aman Mohamed			

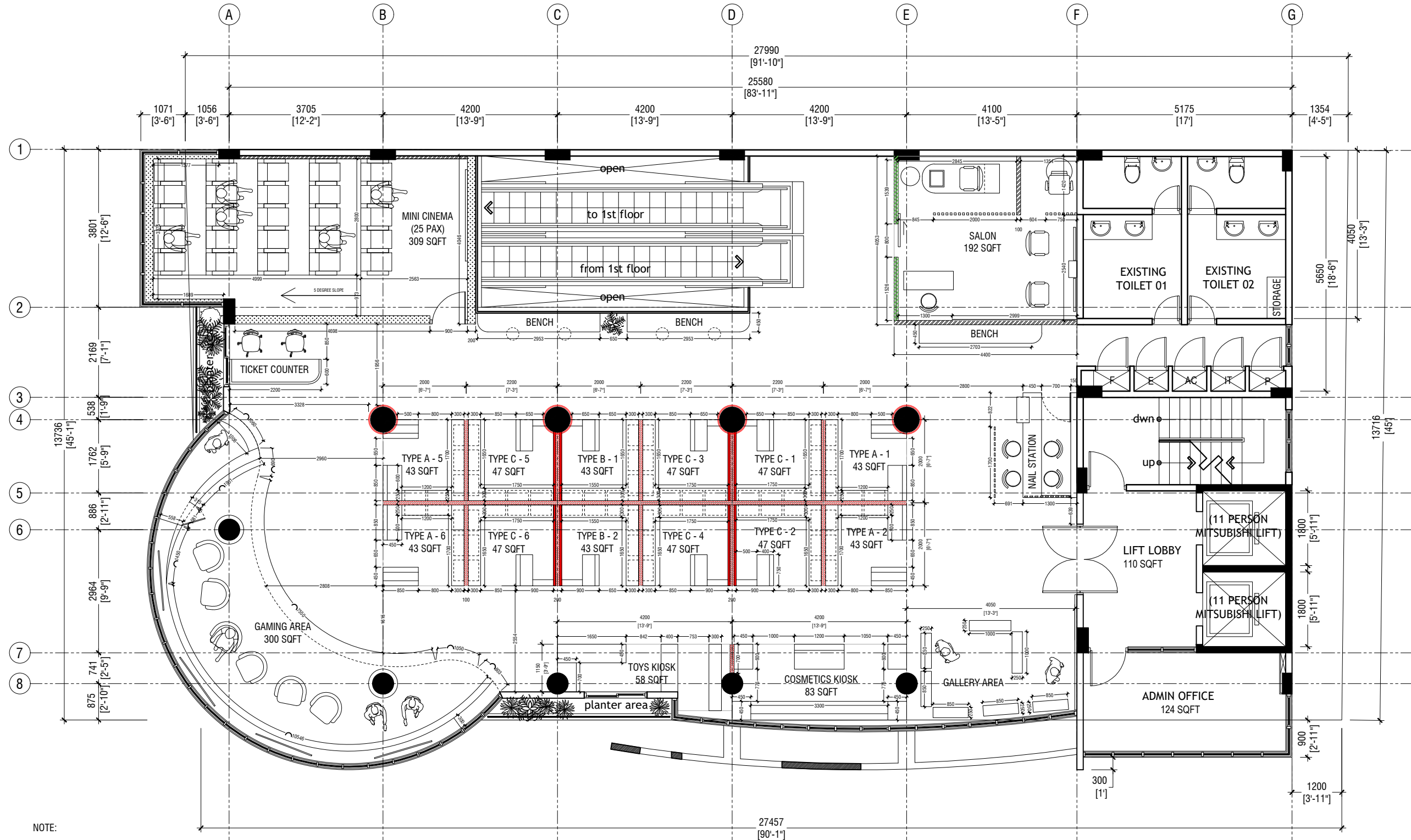


RYAN PRIVATE LIMITED

t: +9603315049 f: +9603310776
e: info@ryan.com.mv
w: www.ryan.com.mv
3rd floor, H. Azum, Ameenemagu, Male'

Title:

Page: A-01/17



NOTE:

- PROPOSED 100MM GYPSUM THICK DRYWALL COMPLETE WITH SELECTED FINISH
- PROPOSED 100MM THK DRYWALL WITH 12MM THK GYPSUM + STEEL FRAMING STUDS (REF. TO DETAILS)
- PROPOSED 8MM THICK GLASS PARTITION WITH FROSTED STICKER @ 2400MM HT WITH 50MM MATTE BLACK ALUMINIUM FRAME (DRYWALL ABOVE)
- PROPOSED PLYWOOD PANELLING WITH TIMBER FRAME WITH SELECTED WALL FINISH
- PROPOSED 200MM THK SOUNDPROOF DRYWALL WITH INSULATION AND ACOUSTIC WALL FABRIC FINISH
- PEGBOARD WITH SHELVING

SECOND FLOOR - DIMENSION PLAN

SCALE 1:100



NOTE:

ALL DIMENSIONS TO BE CHECKED BY CONTRACTOR PRIOR TO FABRICATION OF ANY CARPENTRY WORKS

SME Hub Interior Design
Client: Business Center Corporation (BCC)

Rev no	By	Date

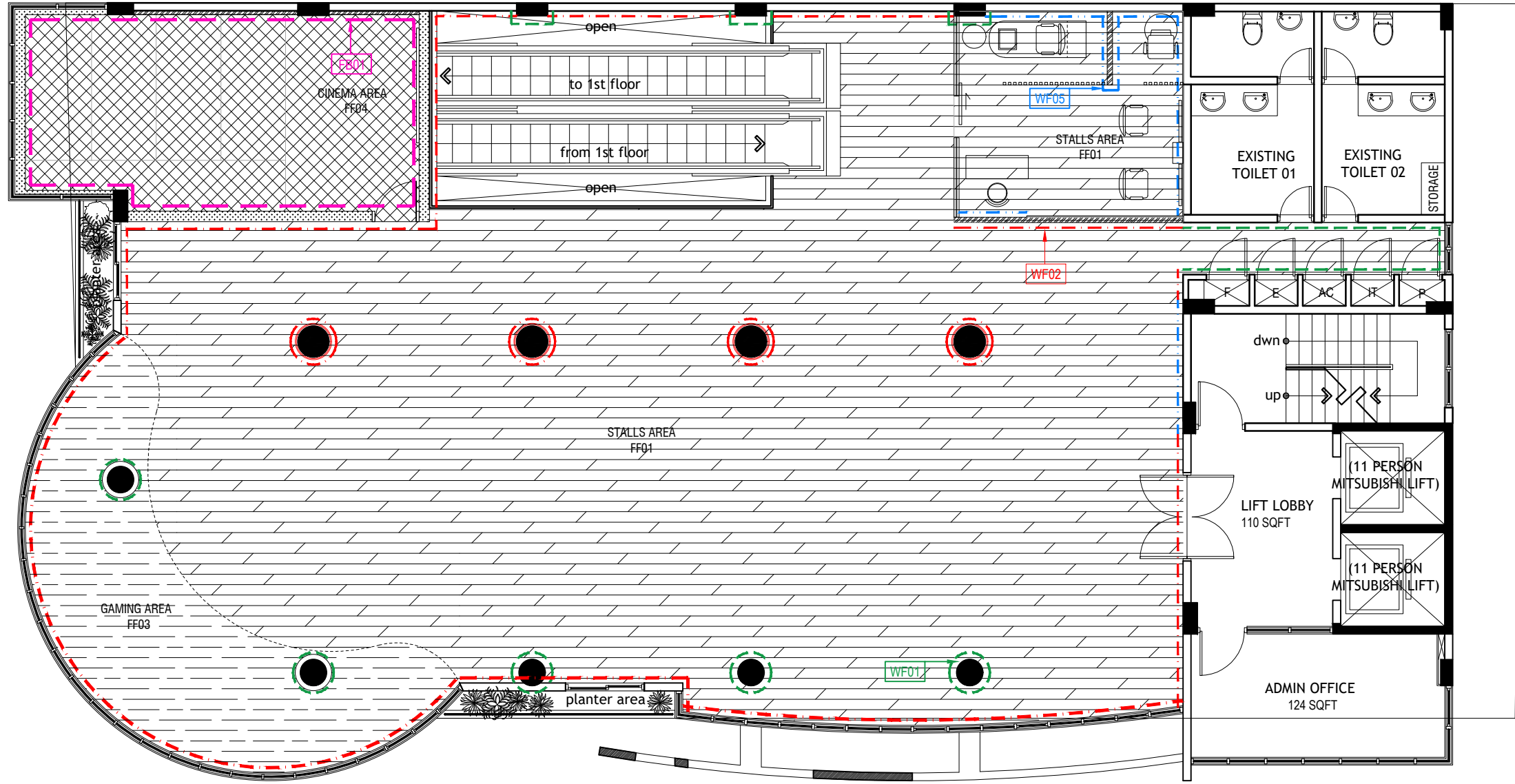
Project Number: R2117BCC
Date: May, 2022
Architect: -
Engineer: -
Drawn by: - Abdullah Aman Mohamed
Services: - Abdullah Aman Mohamed
Interior: - Abdullah Aman Mohamed



RYAN PRIVATE LIMITED

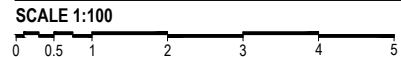
t: +9603315049 f: +9603310776
e: info@ryan.com.mv
w: www.ryan.com.mv
3rd floor, H. Azum, Ameeremmagu, Male'

Title:



NOTE:
ALL BEAMS AND SLAB SOFFIT PAINTED IN WF01
FOR ADDITIONAL FINISHING DETAILS REFER TO 3D RENDERS

SECOND FLOOR - FLOOR FINISH / WALL FINISH PLAN



FLOOR FINISH LEGEND

CODE	SYMBOL	DESCRIPTION
FF01		1380X190 LAMINATE FLOORING COLOUR: SOFT OAK GREY CODE: IMPRESSIVE IM3558
FF03		1380X190 LAMINATE FLOORING COLOUR: BURNED PLANKS CODE: IMPRESSIVE IM1862
FF04		HEXAGONAL PATTERN CARPET COLOUR: GREY

WALL FINISH LEGEND

CODE	SYMBOL	DESCRIPTION
WF01		INTERIOR WALL PAINT COLOUR: DARK GREY FINISH: SATIN FINISH
WF02		TITANIUM WALL COATING FINISH COLOUR: LIGHT GREY FINISH: SEMI POLISHED
FB01		ACOUSTIC FABRIC WALL COVERING COLOUR: GREY FINISH: FABRIC FINISH
WF05		INTERIOR WALL PAINT COLOUR: LIGHT BEIGE GREY FINISH: SATIN FINISH

SME Hub Interior Design
Client: Business Center Corporation (BCC)

Rev no	By	Date

Project Number: R2117BCC
Date: May, 2022
Architect: -
Engineer: -
Drawn by: -
Services: -
Interior: -

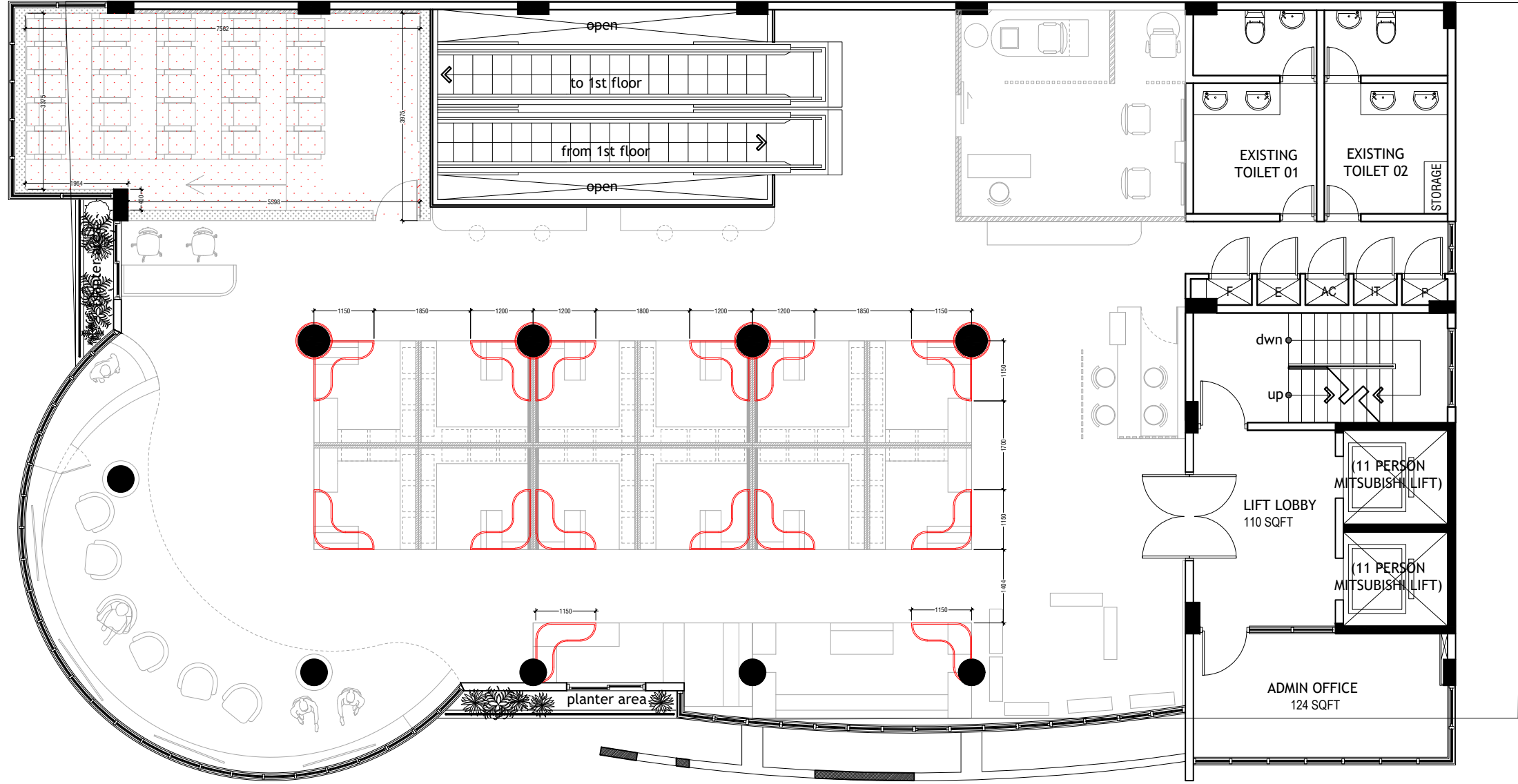


RYAN PRIVATE LIMITED

t: +9603315049 f: +9603310776
e: info@ryan.com.mv
w: www.ryan.com.mv
3rd floor, H. Azum, Ameenemagau, Male'

Title:

The contents of these drawings remain as a property of RYAN Private Limited. Any use other than those expressly stated is a violation of this copyright



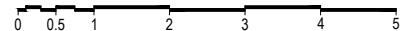
CEILING FINISH LEGEND

CODE	SYMBOL	DESCRIPTION
HSL		HANGING SIGNAGE LIGHT REFER TO DETAIL.

NOTE:
ALL DIMENSIONS TO BE CHECKED BY CONTRACTOR PRIOR TO FABRICATION OF ANY CARPENTRY WORKS

SECOND FLOOR - REFLECTED CEILING PLAN

SCALE 1:100



SME Hub Interior Design
Client: Business Center Corporation (BCC)

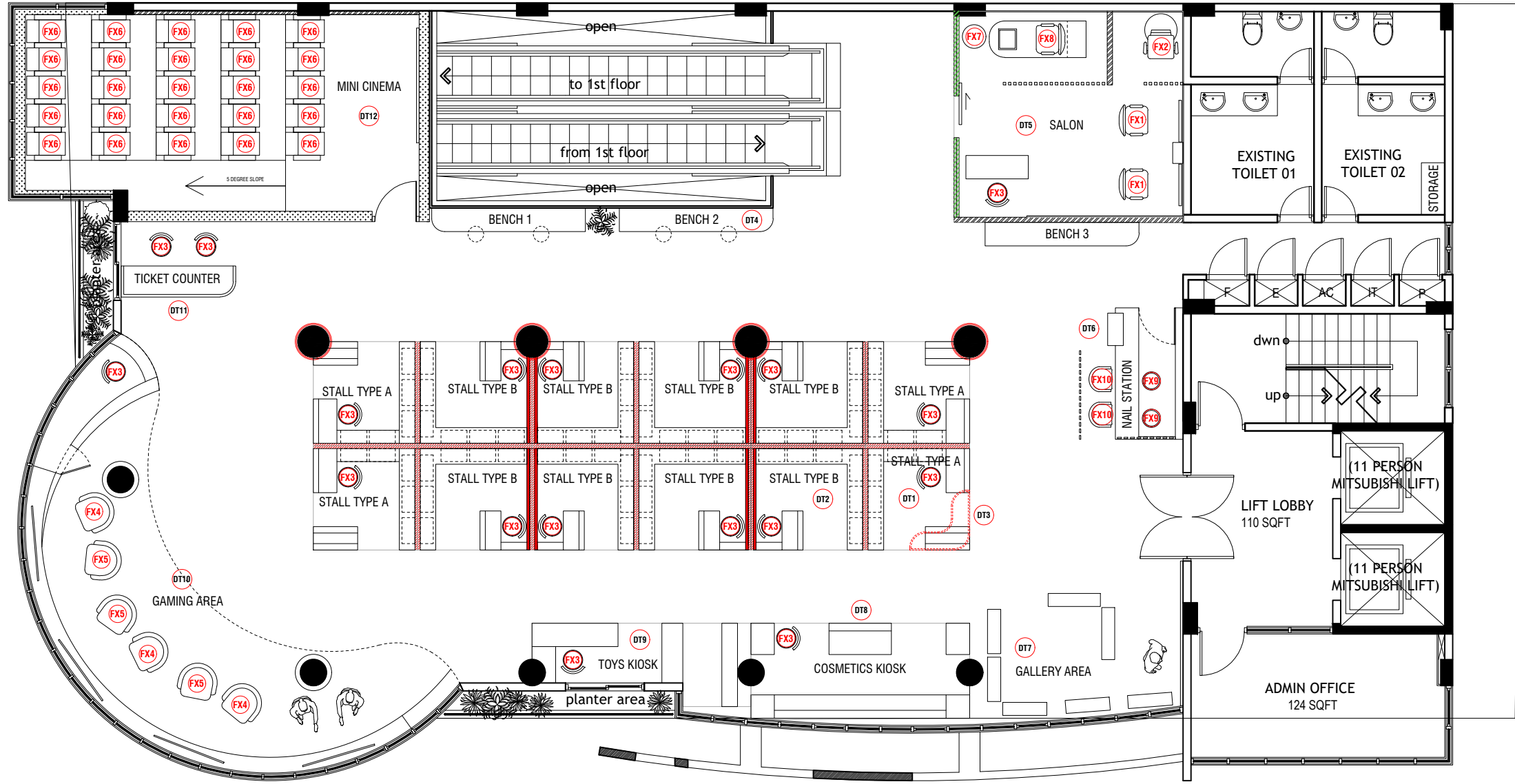
Project Number: R271178CC	Rev no	By	Date
Date: May, 2022			
Architect: -			
Engineer: -			
Drawn by: Abdulla Aman Mohamed			
Services: -			
Interior: Abdulla Aman Mohamed			



RIYAN PRIVATE LIMITED

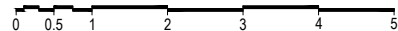
t: +9603315049 f: +9603310776
e: info@riyan.com.mv
w: www.riyan.com.mv
3rd floor, H. Azum, Ameenemagu, Male'

Title:



SECOND FLOOR - DETAIL / FURNITURE KEY PLAN

SCALE 1:100



NOTE:

ALL DIMENSIONS TO BE CHECKED BY CONTRACTOR PRIOR TO FABRICATION OF ANY CARPENTRY WORKS

SME Hub Interior Design
 Client: Business Center Corporation (BCC)

Project Number: R271178CC
 Date: May, 2022

Architect: -
 Engineer: -
 Drawn by: -
 Services: -

Interior: Abdullah Aman Mohamed

Rev no By Date



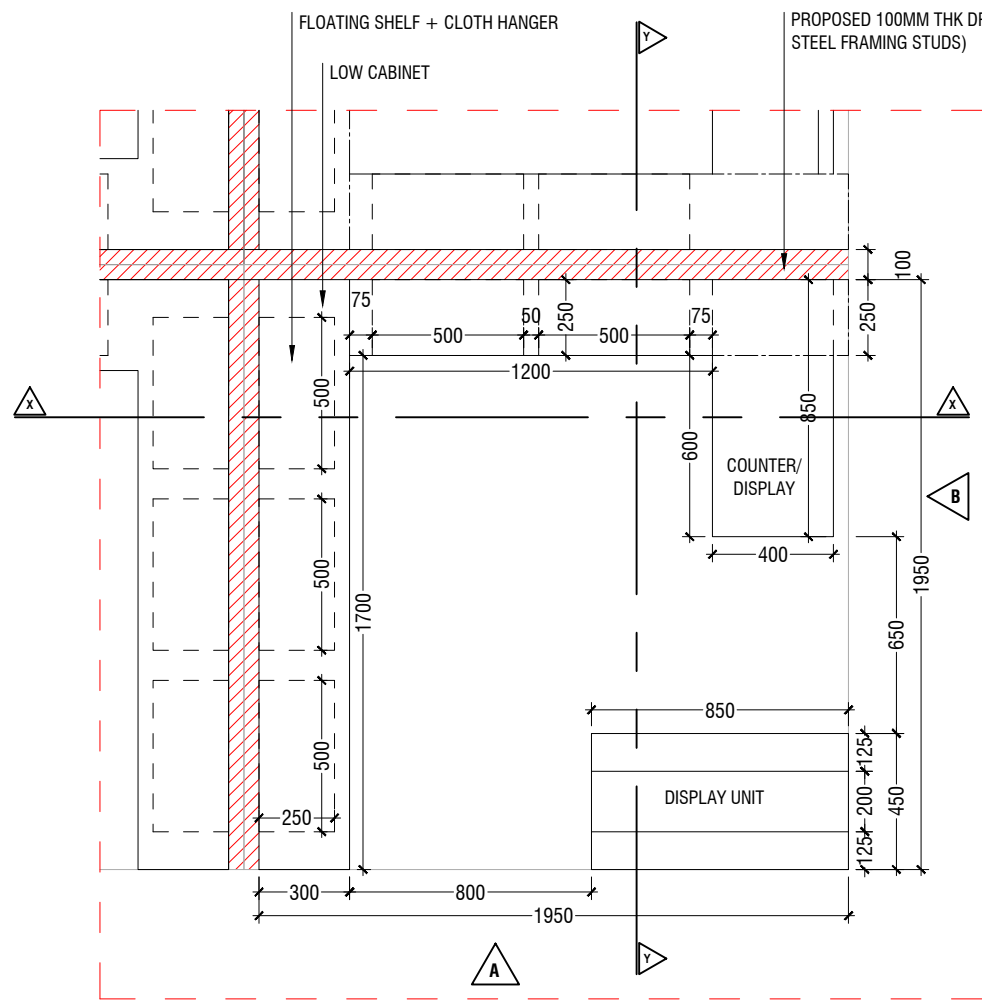
RYAN PRIVATE LIMITED

t: +9603315049 f: +9603310776
 e: info@ryan.com.mv
 w: www.ryan.com.mv
 3rd floor, H. Azum, Ameenemaguu, Male'

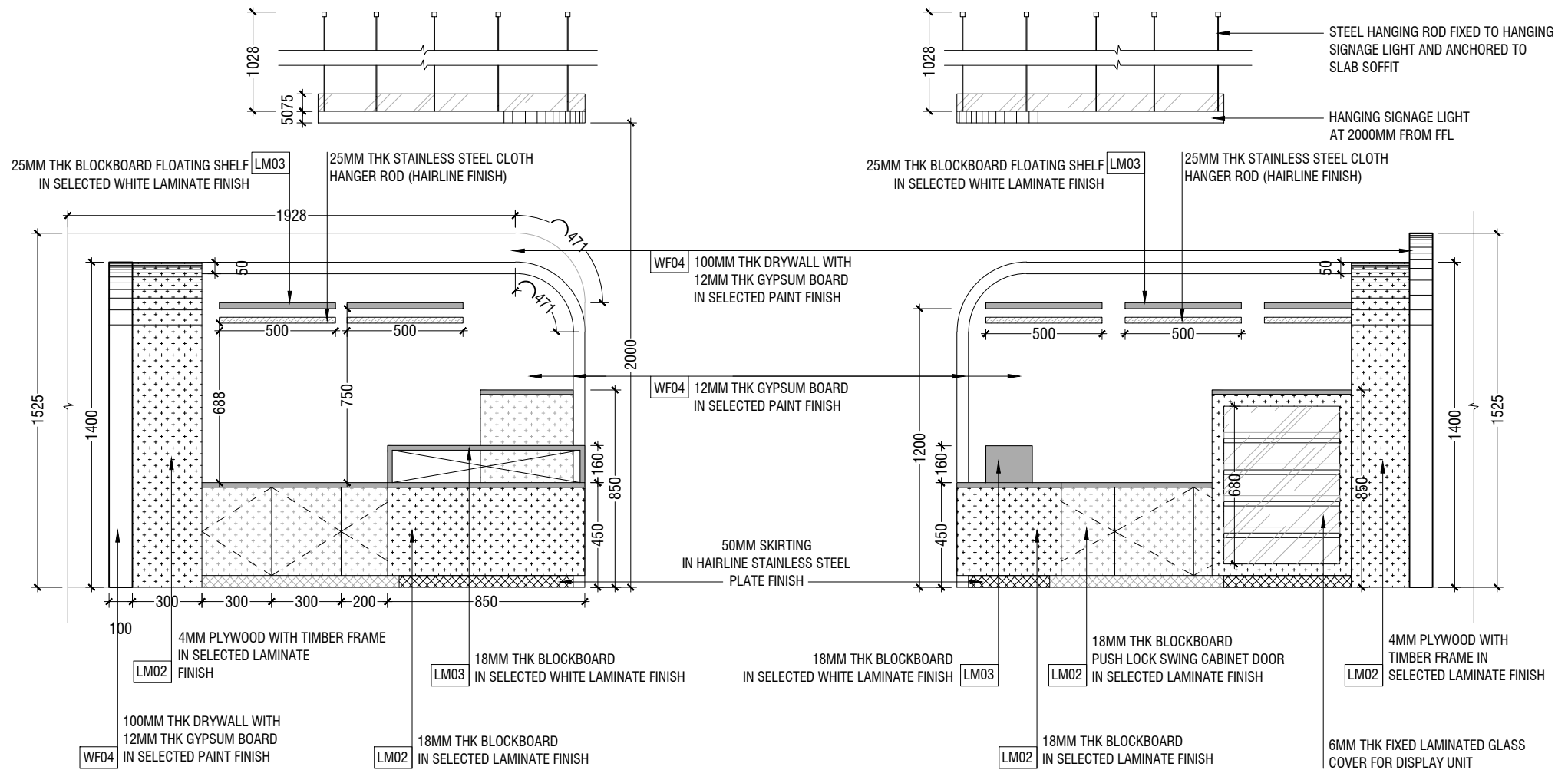
Title:

Page: A-05/34

The contents of these drawings remain as a property of Ryan Private Limited. Any use other than those expressly stated is a violation of this copyright

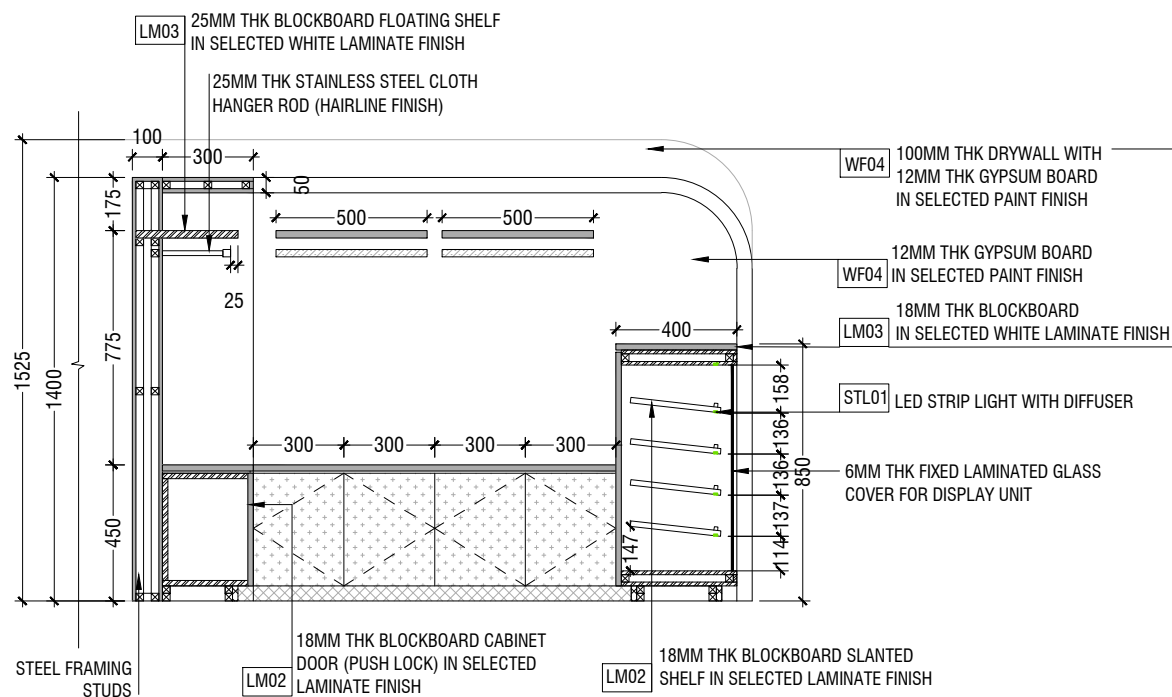


DT1 - PLAN

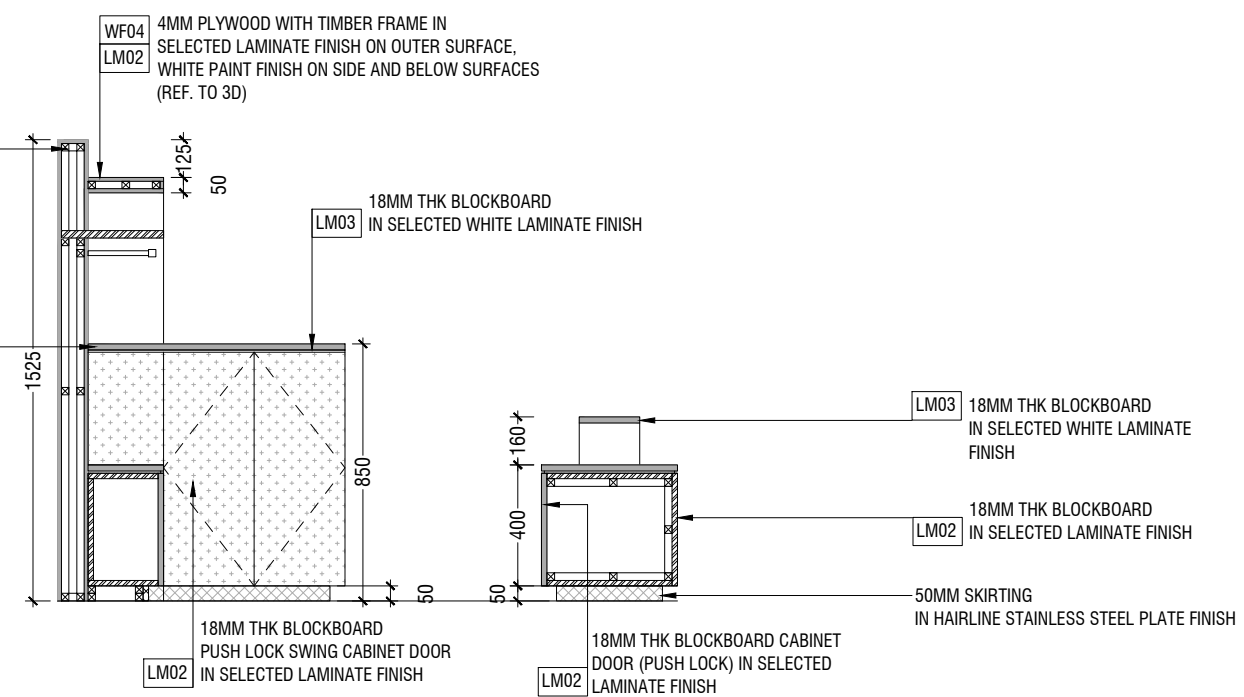


DT1 - ELEVATION A

DT1 - ELEVATION B

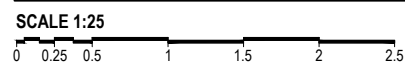


DT1 - SECTION X-X



DT1 - SECTION Y-Y

DT1 - TYPICAL STALL TYPE A DESIGN



NOTE:

- DIMENSIONS WILL VARY BETWEEN DIFFERENT STALLS - REF. TO DIMENSION PLAN AND DETAIL KEY PLAN FOR ADDITIONAL DIMENSIONS AND DETAILS.
- ALL DIMENSIONS TO BE CHECKED BY CONTRACTOR PRIOR TO FABRICATION OF ANY CARPENTRY WORKS.
- TYPICAL STALL DESIGN TO APPLY TO 4 TYPE A STALLS - WITH REFERENCE TO LAYOUT PLAN, DIMENSION PLAN AND DETAIL KEY PLAN.

SME Hub Interior Design
Client: Business Center Corporation (BCC)

Rev no	By	Date

Project Number: R2117BCC
Date: May, 2022
Architect: -
Engineer: -
Drawn by: Abdulla Aman Mohamed
Interior: Abdulla Aman Mohamed

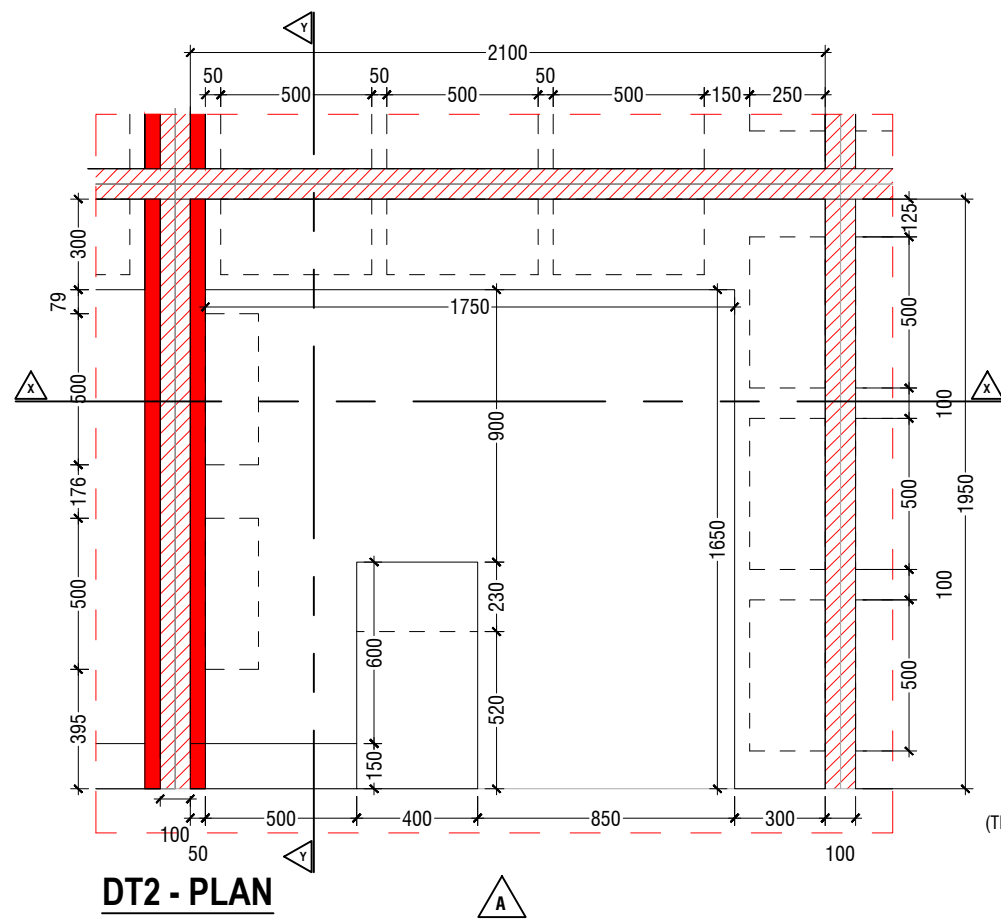


RIYAN PRIVATE LIMITED

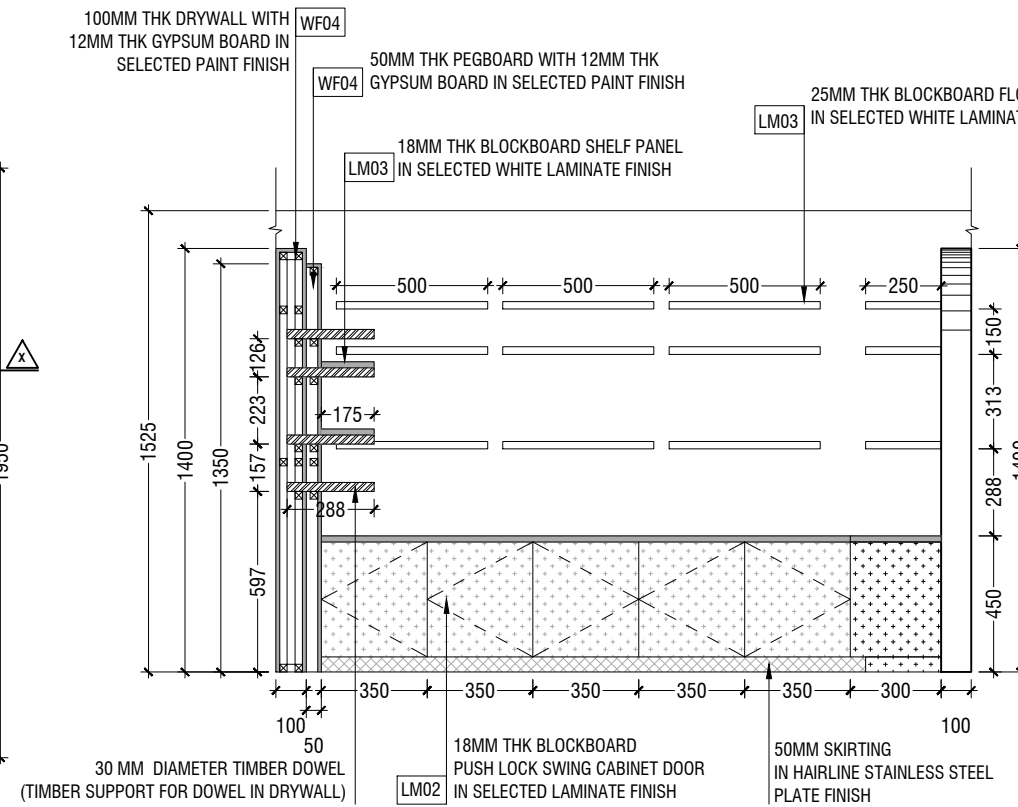
t: +9603315049 f: +9603310776
e: info@riyan.com.mv
w: www.riyan.com.mv
3rd floor, H. Azum, Ameenemaguu, Male'

Title:

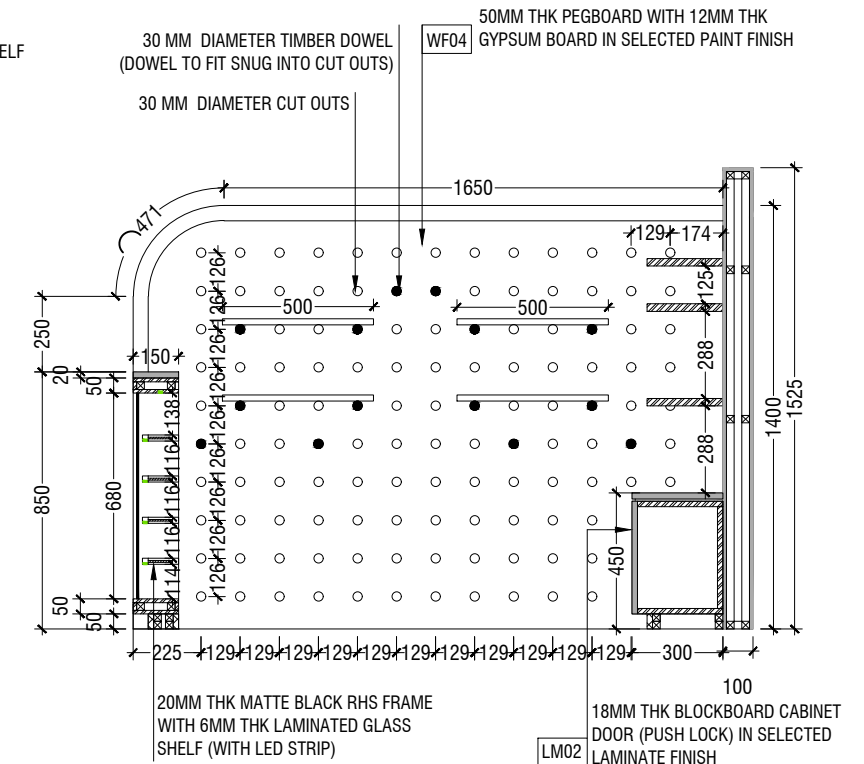
The contents of these drawings remain as a property of Riyan Private Limited. Any use other than those expressly stated is a violation of this copyright.



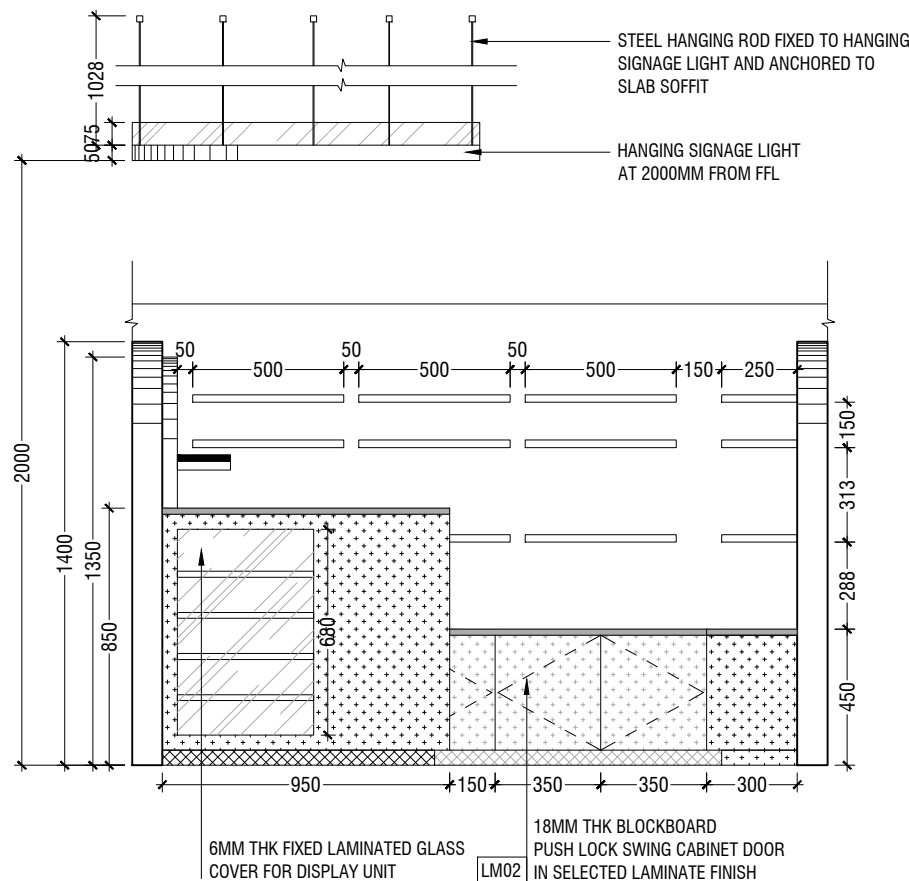
DT2 - PLAN



DT2 - SECTION X-X

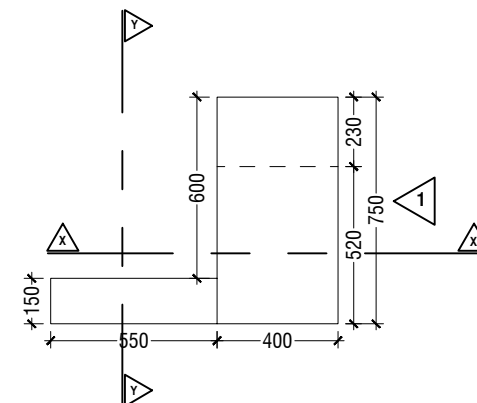
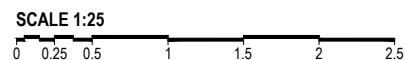


DT2 - SECTION Y-Y

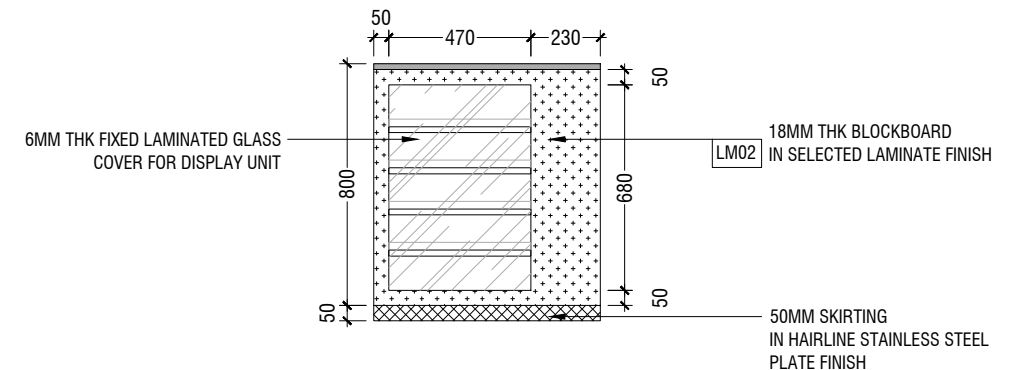


DT2 - ELEVATION A

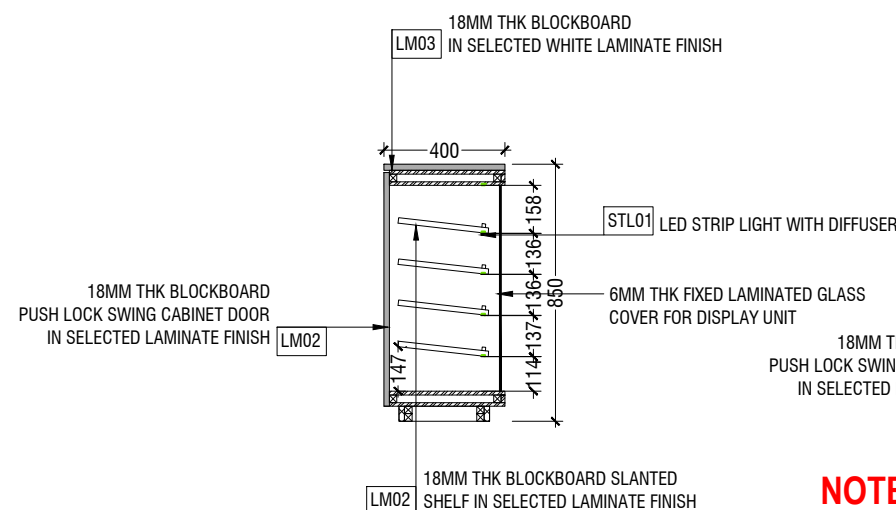
DT2 - TYPICAL STALL TYPE B DESIGN



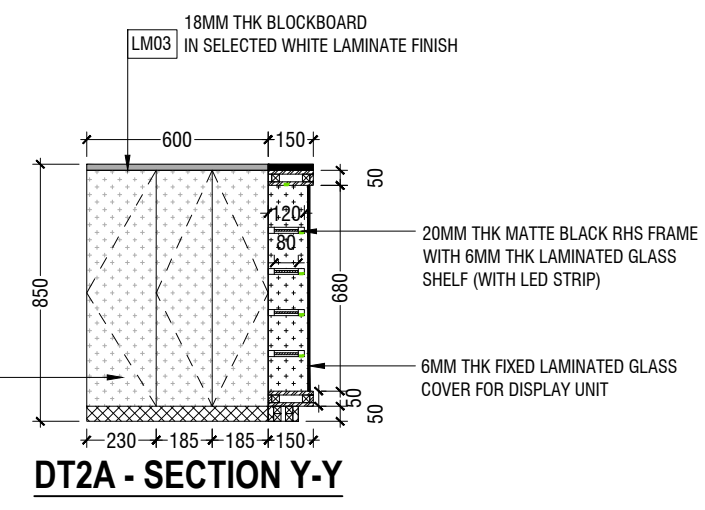
DT2A - COUNTER DETAIL PLAN



DT2A - ELEVATION 1



DT2A - SECTION X-X



DT2A - SECTION Y-Y

NOTE:

- DIMENSIONS WILL VARY BETWEEN DIFFERENT STALLS - REF. TO DIMENSION PLAN AND DETAIL KEY PLAN FOR ADDITIONAL DIMENSIONS AND DETAILS.
- ALL DIMENSIONS TO BE CHECKED BY CONTRACTOR PRIOR TO FABRICATION OF ANY CARPENTRY WORKS.
- TYPICAL STALL DESIGN TO APPLY TO 8 TYPE B STALLS - WITH REFERENCE TO LAYOUT PLAN, DIMENSION PLAN AND DETAIL KEY PLAN.

SME Hub Interior Design
Client: Business Center Corporation (BCC)

Rev no	By	Date

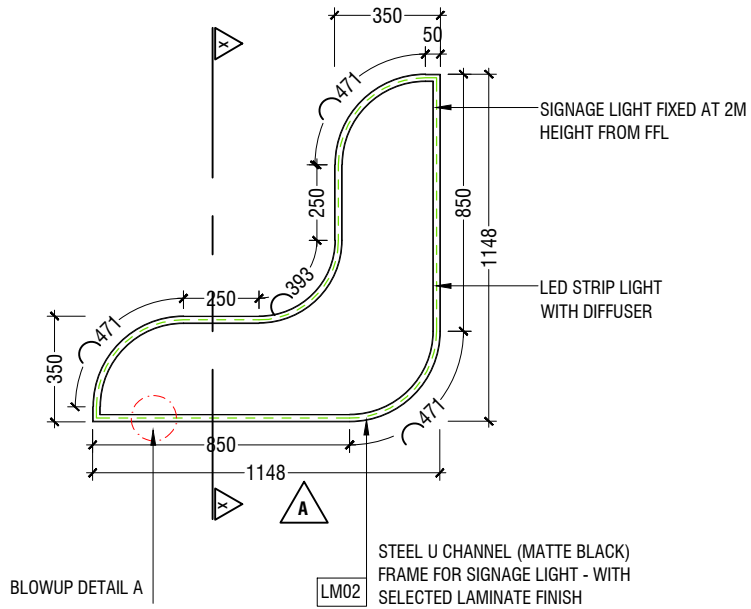
RIYAN PRIVATE LIMITED

t: +9603315049 f: +9603310776
e: info@riyan.com.mv
w: www.riyan.com.mv
3rd floor, H. Azum, Ameenemagau, Male'

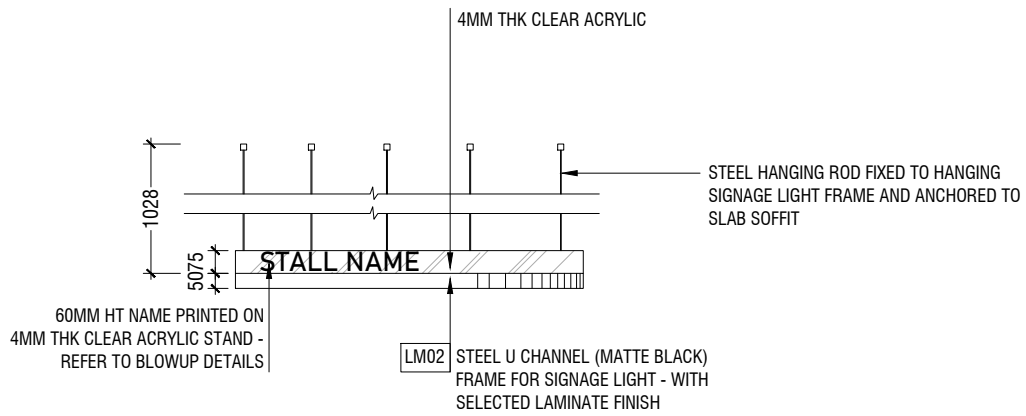
Title:

Page: A-07/34

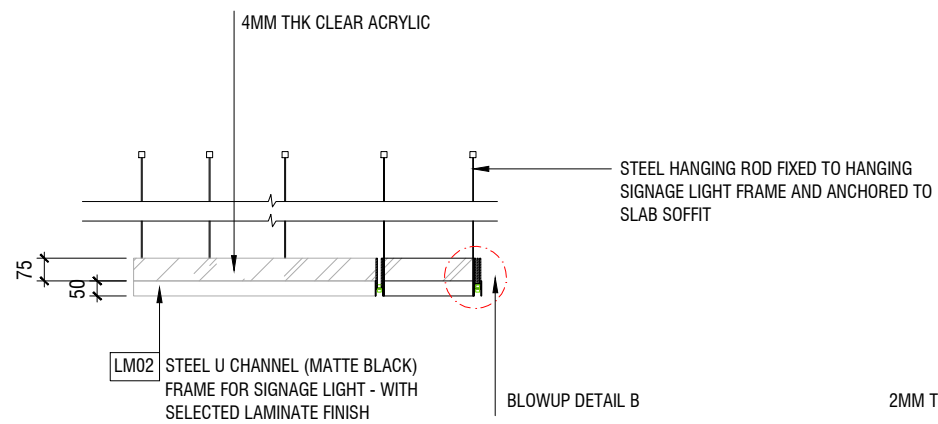
The contents of these drawings remain as a property of Riyan Private Limited. Any use other than those expressly stated is a violation of this copyright.



DT3 - PLAN

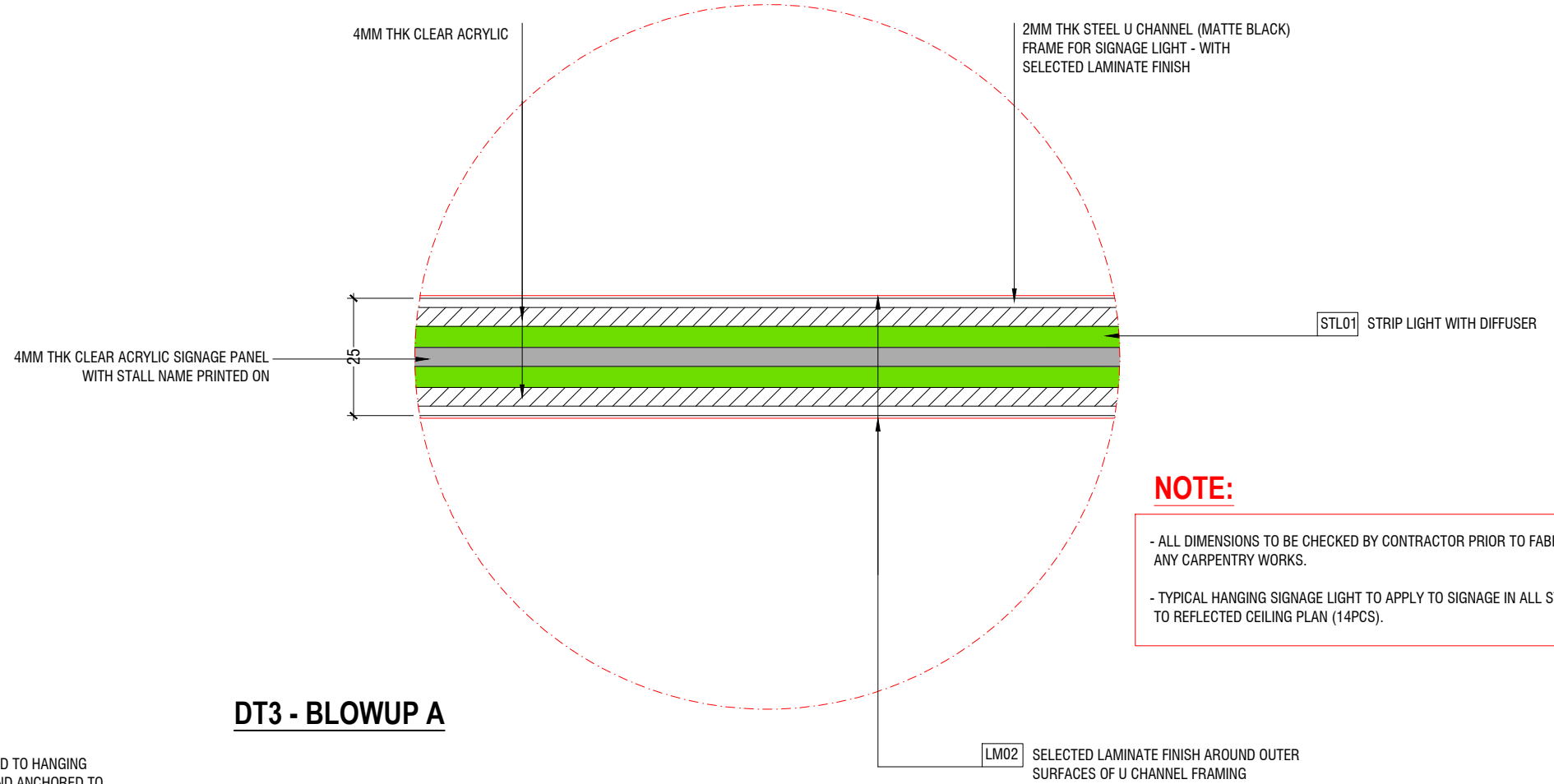
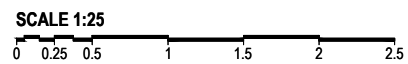


DT3 - ELEVATION A



DT3 - SECTION X-X

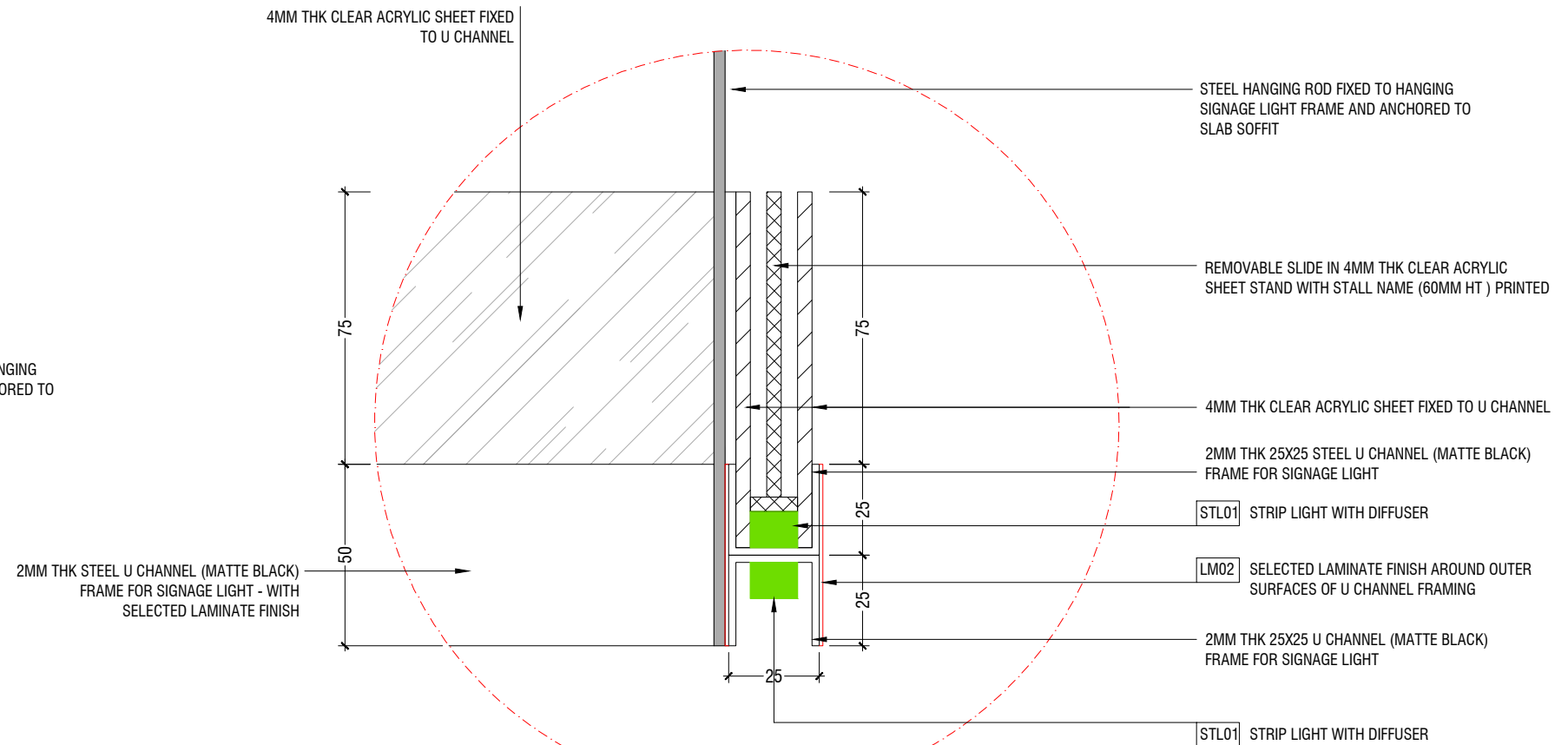
DT3 - HANGING SIGNAGE LIGHT DESIGN



DT3 - BLOWUP A

NOTE:

- ALL DIMENSIONS TO BE CHECKED BY CONTRACTOR PRIOR TO FABRICATION OF ANY CARPENTRY WORKS.
- TYPICAL HANGING SIGNAGE LIGHT TO APPLY TO SIGNAGE IN ALL STALLS IN REFERENCE TO REFLECTED CEILING PLAN (14PCS).



DT5 - BLOWUP B

SME Hub Interior Design
Client: Business Center Corporation (BCC)

Rev no	By	Date

Project Number: R21178CC
Date: May, 2022
Architect: -
Engineer: -
Drawn by: Abdulla Aman Mohamed
Services: -
Interior: Abdulla Aman Mohamed



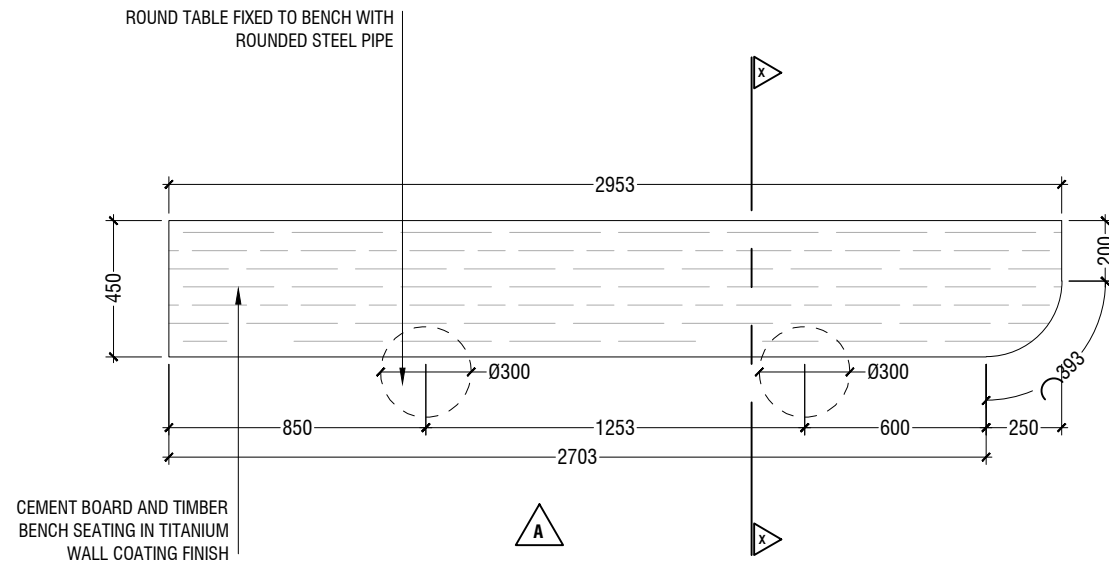
RIYAN PRIVATE LIMITED

t: +9603315049 f: +9603310776
e: info@riyan.com.mv
w: www.riyan.com.mv
3rd floor, H. Azum, Ameenemaguu, Male'

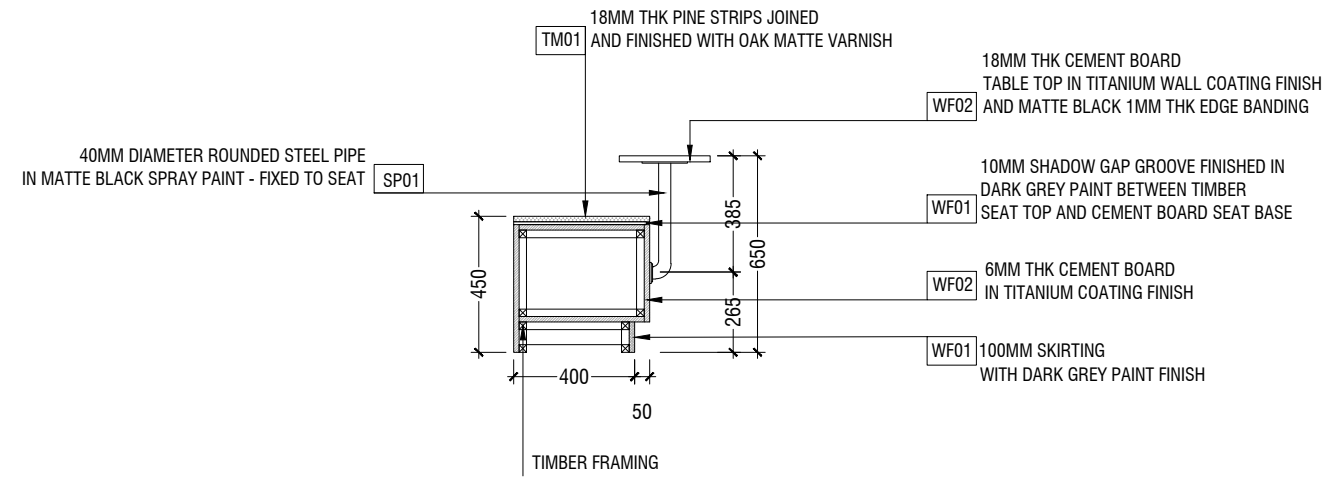
Title:

Page: A-08/34

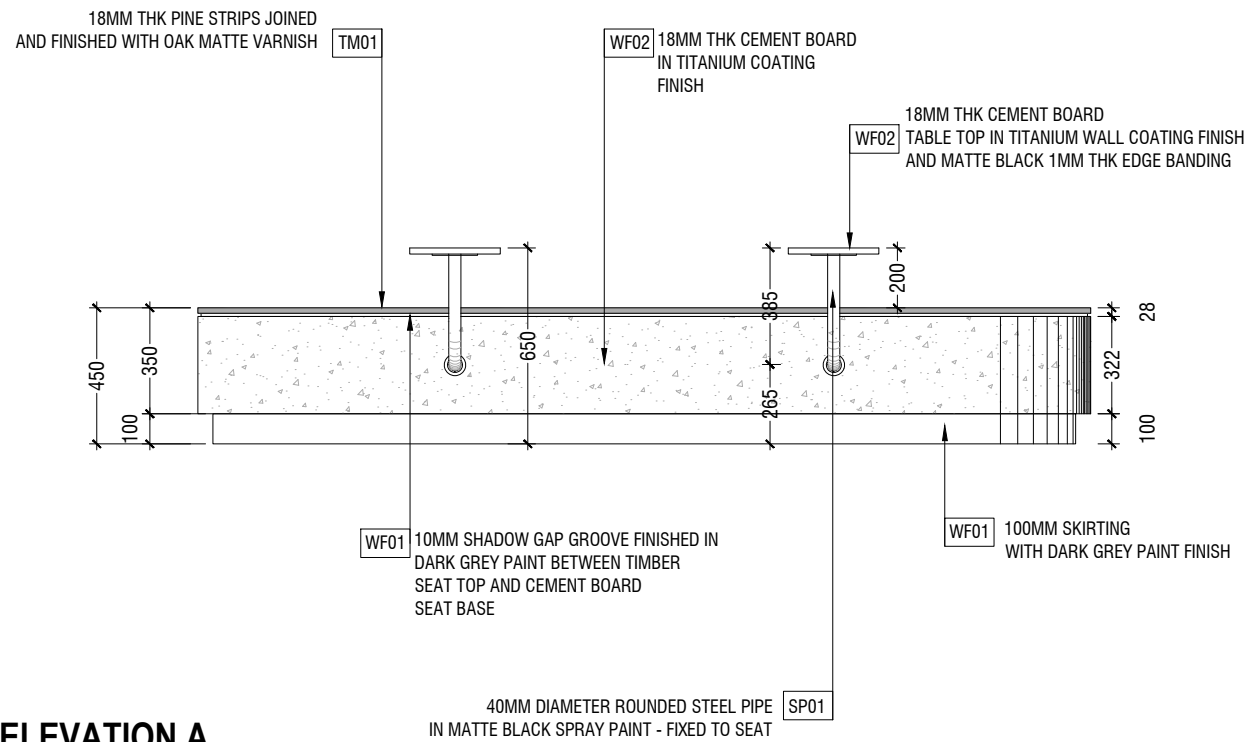
The contents of these drawings remain as a property of Riyan Private Limited. Any use other than those expressly stated is a violation of this copyright.



DT4 - PLAN



DT4 - SECTION X-X

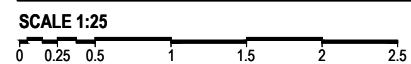


DT4 - ELEVATION A

NOTE:

- ALL DIMENSIONS TO BE CHECKED BY CONTRACTOR PRIOR TO FABRICATION OF ANY CARPENTRY WORKS.
- TYPICAL BENCH DESIGN TO APPLY TO 3 BENCHES (BENCH 1, 2 AND 3) WITH REFERENCE TO LAYOUT PLAN AND DIMENSION PLAN. (BENCH 3 WILL BE WITHOUT ROUND TABLES)

DT4 - TYPICAL BENCH DESIGN



SME Hub Interior Design
Client: Business Center Corporation (BCC)

Rev no	By	Date

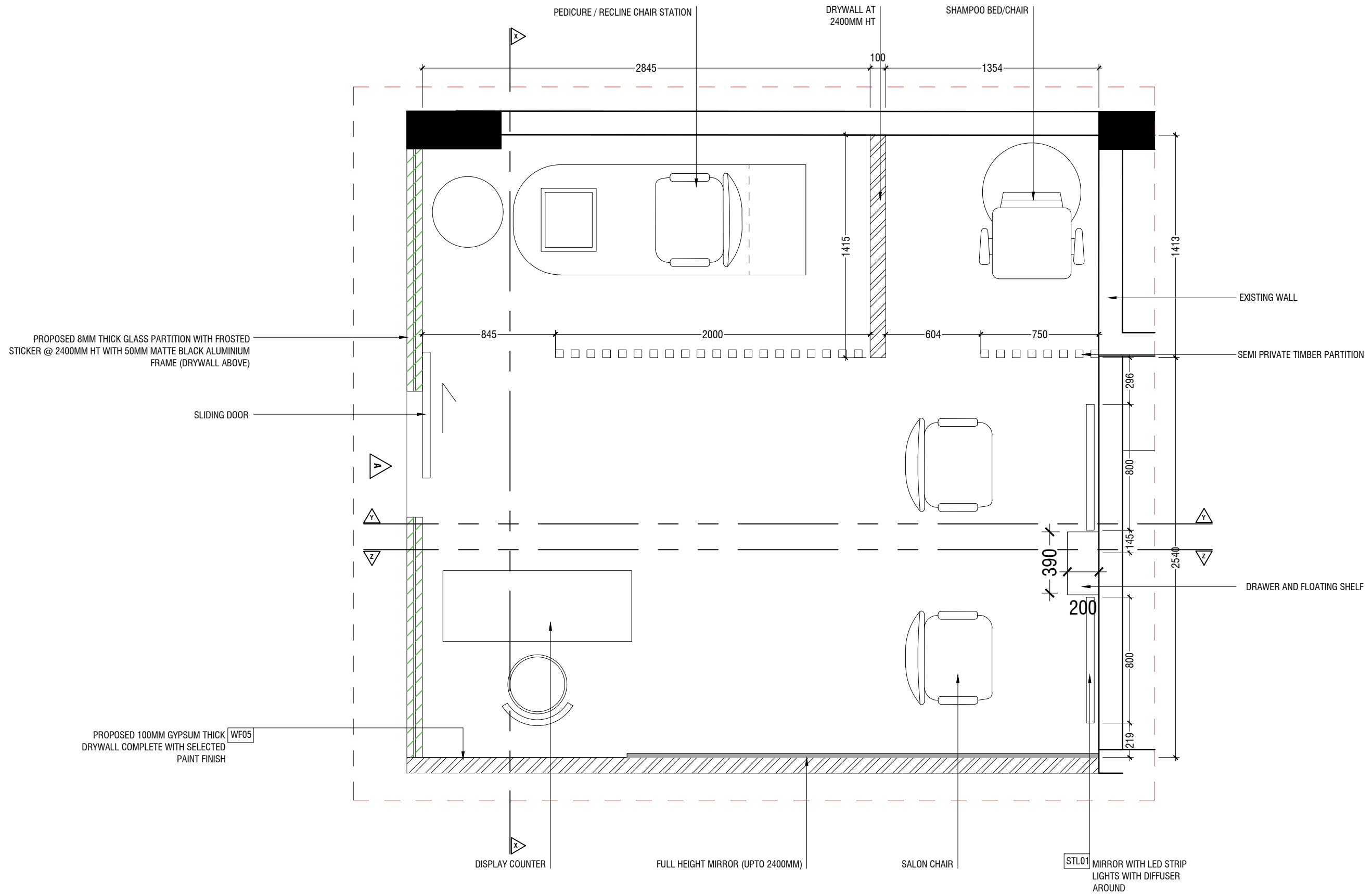
Project Number: R2117BCC
Date: May, 2022
Architect: -
Engineer: -
Drawn by: Abdulla Aman Mohamed
Services: -
Interior: Abdulla Aman Mohamed



RYAN PRIVATE LIMITED

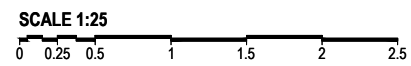
t: +9603315049 f: +9603310776
e: info@ryan.com.mv
w: www.ryan.com.mv
3rd floor, H. Azum, Ameenemagu, Male'

Title:



DT5 - PLAN

DT5 - SALON DESIGN



SME Hub Interior Design
Client: Business Center Corporation (BCC)

Rev no	By	Date

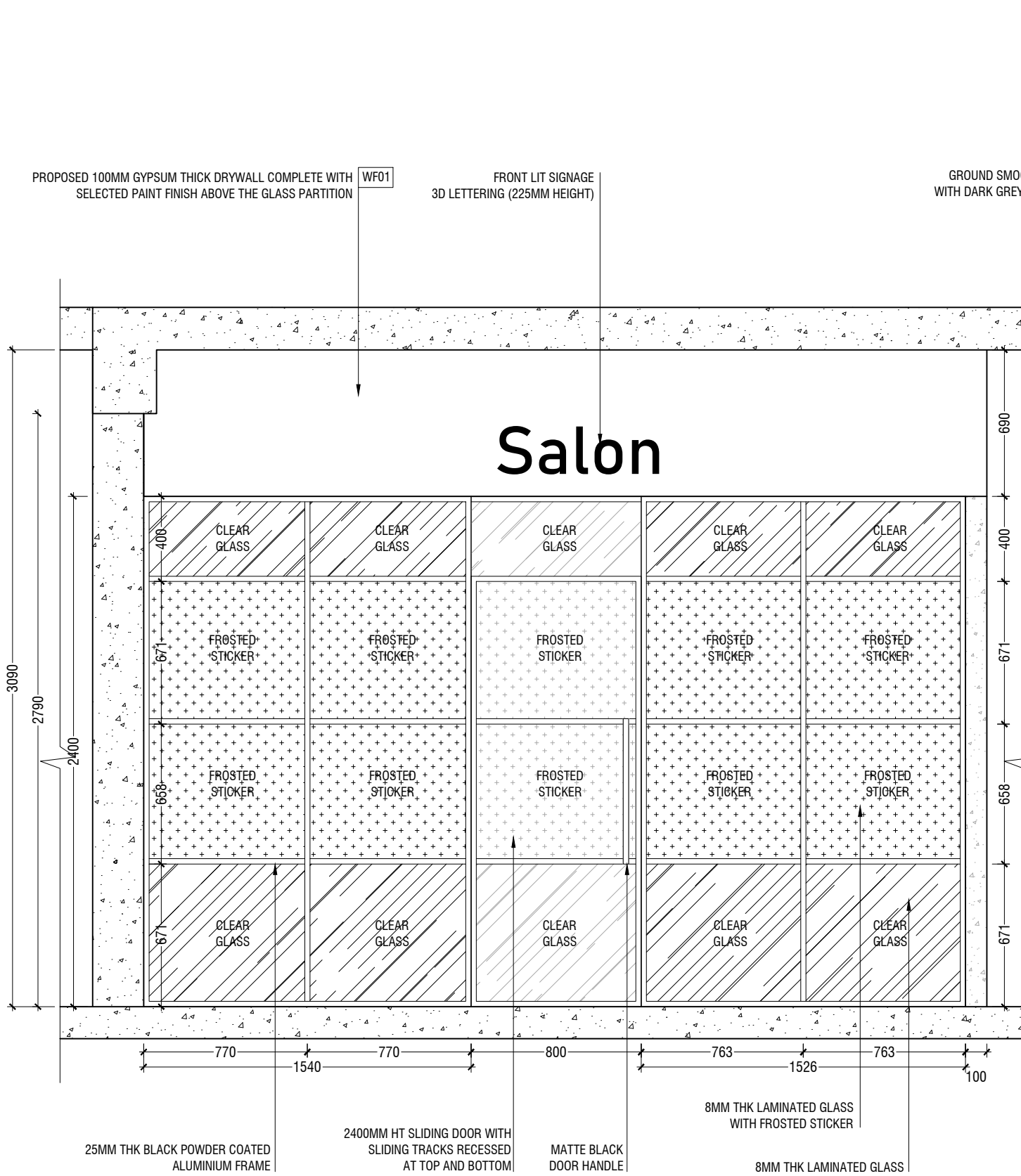
Project Number: R27117BCC
Date: May, 2022
Architect: -
Engineer: -
Drawn by: Abdulla Aman Mohamed
Services: -
Interior: Abdulla Aman Mohamed



RIYAN PRIVATE LIMITED

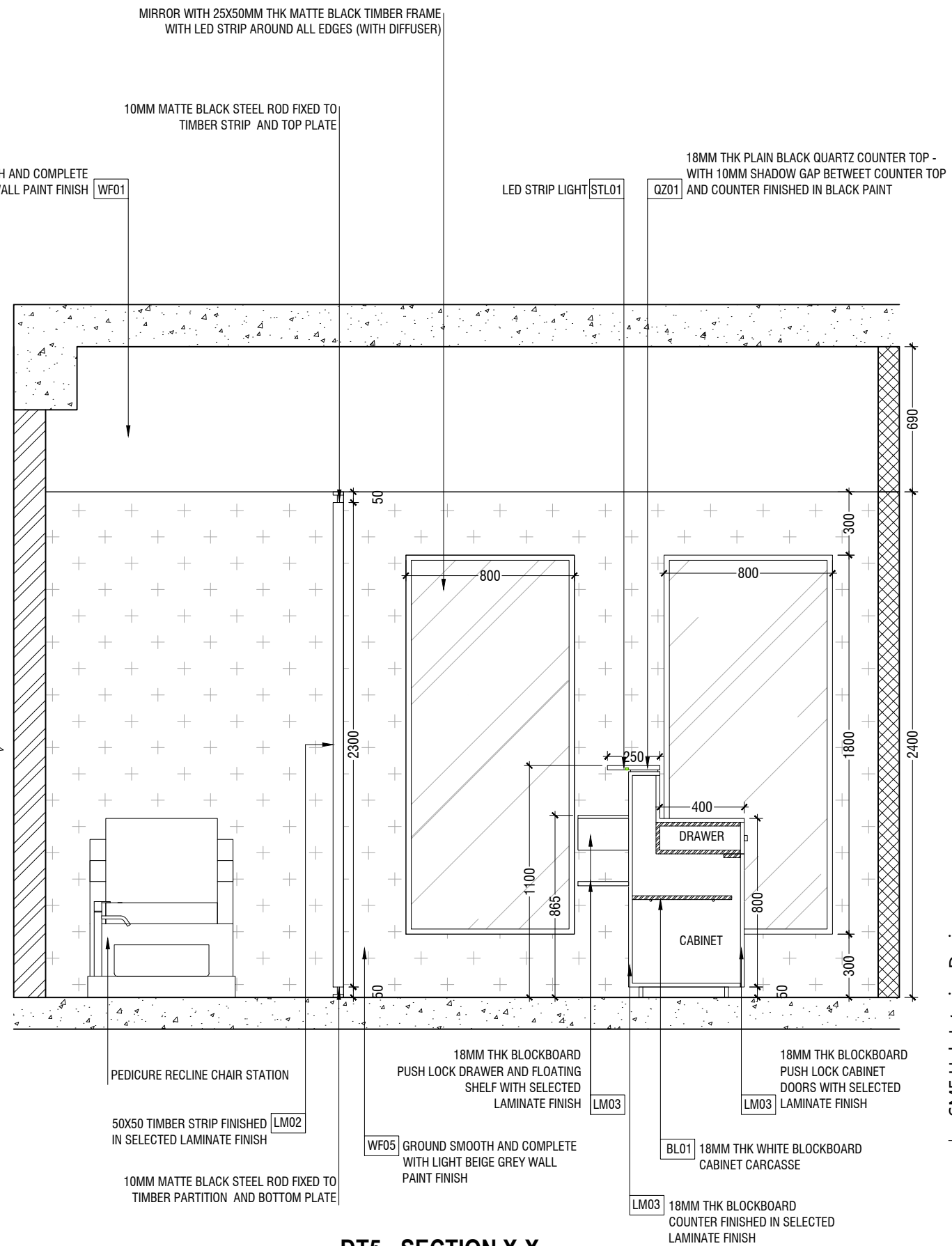
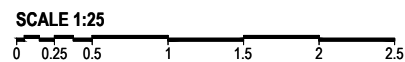
t: +9603315049 f: +9603310776
e: info@riyan.com.mv
w: www.riyan.com.mv
3rd floor, H. Azum, Ameenemagau, Male'

Title:



DT5 - ELEVATION A

DT5 - SALON DESIGN



DT5 - SECTION X-X

SME Hub Interior Design
Client: Business Center Corporation (BCC)

Rev no	By	Date

Project Number: R2117BCC
Date: May, 2022
Architect: -
Engineer: -
Drawn by: Abdulla Aman Mohamed
Services: -
Interior: Abdulla Aman Mohamed

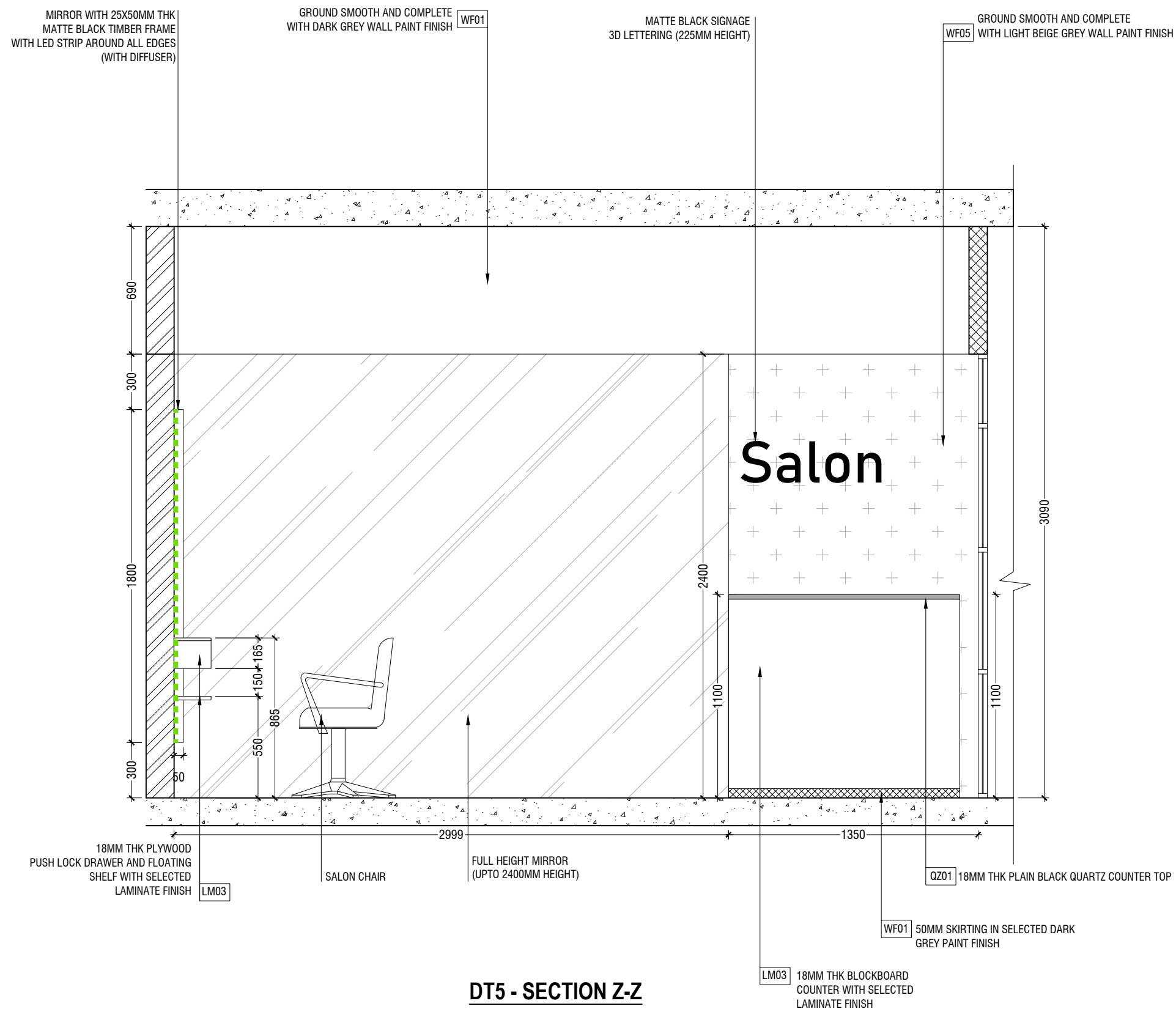


RIYAN PRIVATE LIMITED

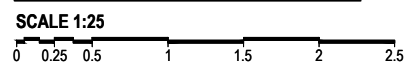
t: +9603315049 f: +9603310776
e: info@riyan.com.mv
w: www.riyan.com.mv
3rd floor, H. Azum, Ameenemagu, Male'

Title:

The contents of these drawings remain as a property of Riyan Private Limited. Any use other than those expressly stated is a violation of this copyright.



DT5A - SALON DESIGN



SME Hub Interior Design
Client: Business Center Corporation (BCC)

Rev no	By	Date

Project Number: RZ1178CC
Date: May, 2022
Architect: -
Engineer: -
Drawn by: - Abdulla Aman Mohamed
Services: - Abdulla Aman Mohamed

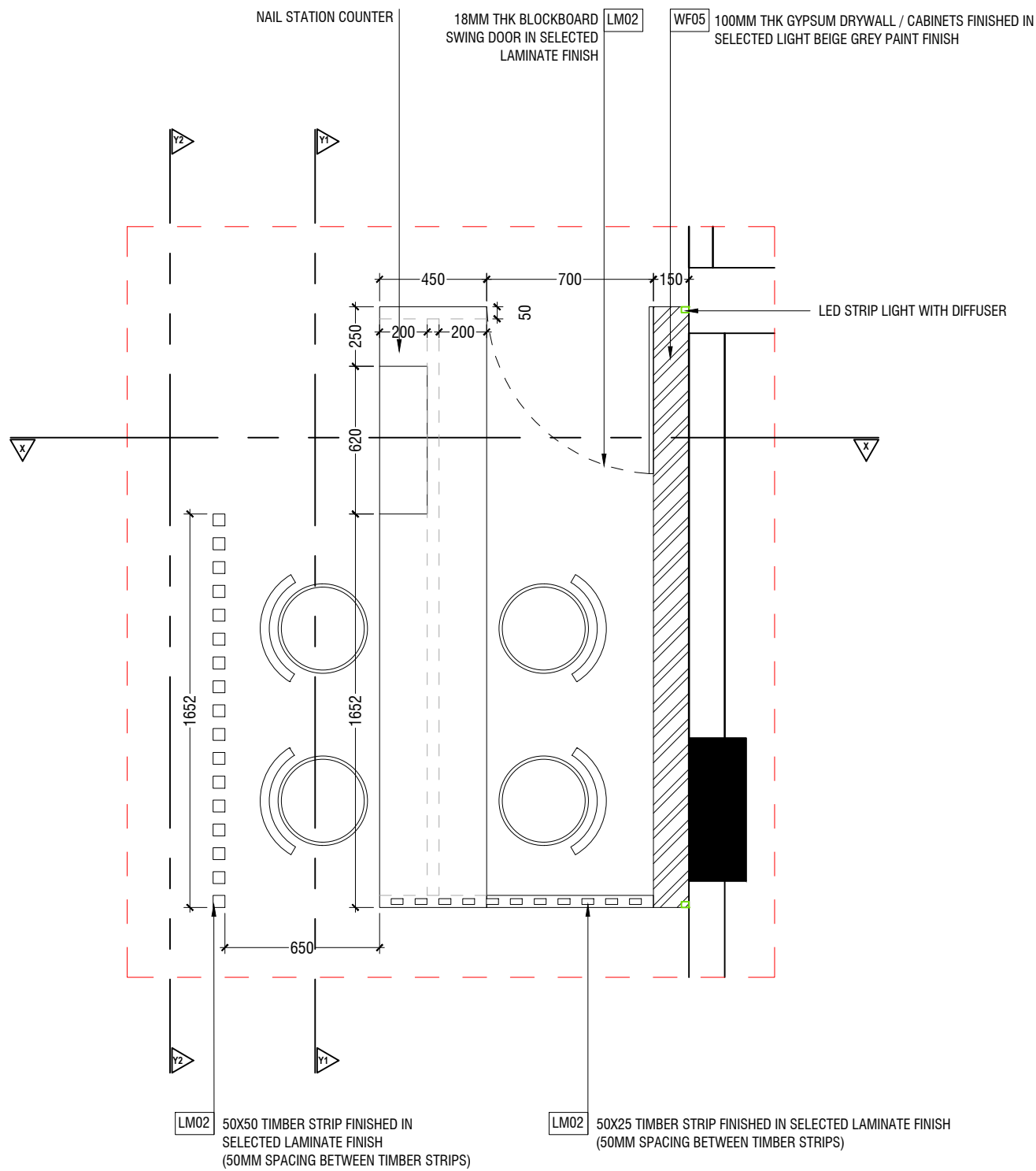


RYAN PRIVATE LIMITED

t: +9603315049 f: +9603310776
e: info@ryan.com.mv
w: www.ryan.com.mv
3rd floor, H. Azum, Ameenemagu, Male'

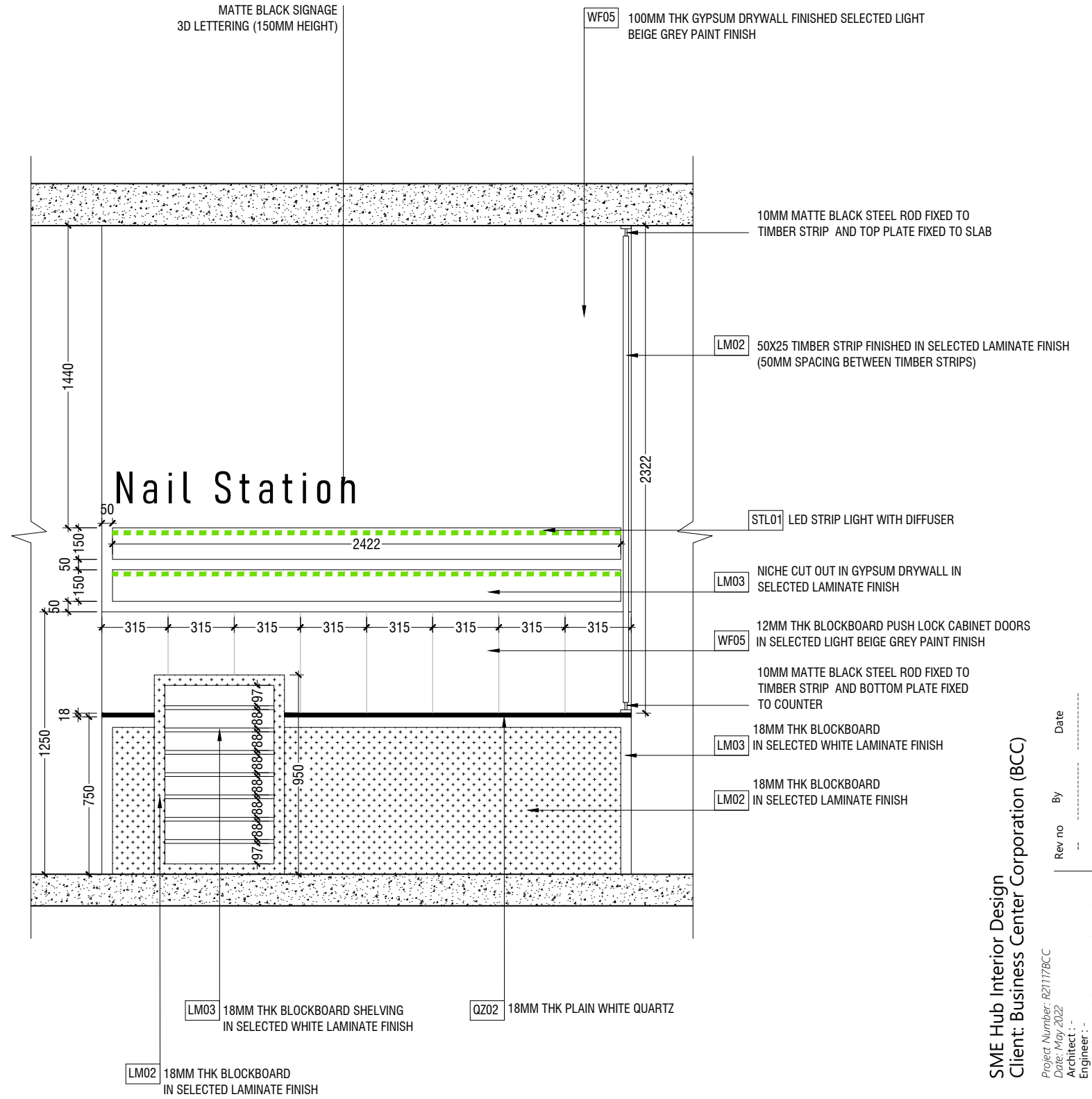
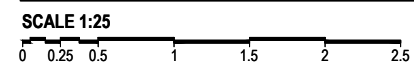
Title:

The contents of these drawings remain as a property of Ryan Private Limited. Any use other than those expressly stated is a violation of this copyright



DT6 - PLAN

DT6 - NAIL STATION DESIGN



DT6 - SECTION Y1-Y1

SME Hub Interior Design
Client: Business Center Corporation (BCC)

Rev no	By	Date

Project Number: R2117BCC
Date: May, 2022
Architect: -
Engineer: -
Drawn by: Abdulla Aman Mohamed
Services: -
Interior: Abdulla Aman Mohamed

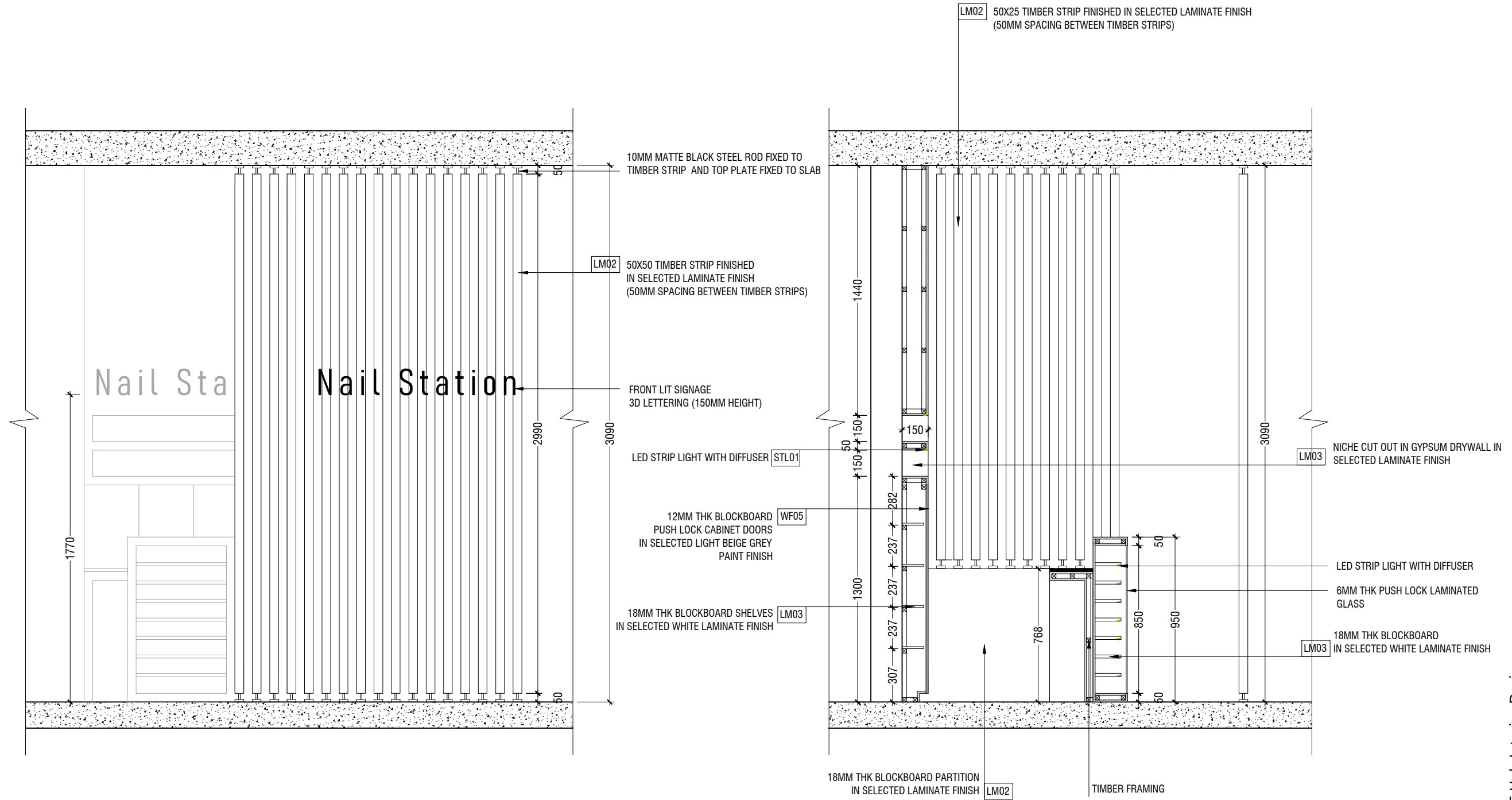


RIYAN PRIVATE LIMITED

t: +9603315049 f: +9603310776
e: info@riyan.com.mv
w: www.riyan.com.mv
3rd floor, H. Azum, Ameenemagu, Male'

Title:

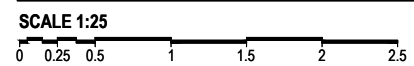
The contents of these drawings remain as a property of Riyan Private Limited. Any use other than those expressly stated is a violation of this copyright.



DT6 - SECTION Y2-Y2

DT6 - SECTION X-X

DT6 - NAIL STATION DESIGN



SME Hub Interior Design
Client: Business Center Corporation (BCC)

Rev no	By	Date

Project Number: R21178CC
Date: May, 2022
Architect: -
Engineer: -
Drawn by: Abdulla Aman Mohamed
Services: -
Interior: Abdulla Aman Mohamed

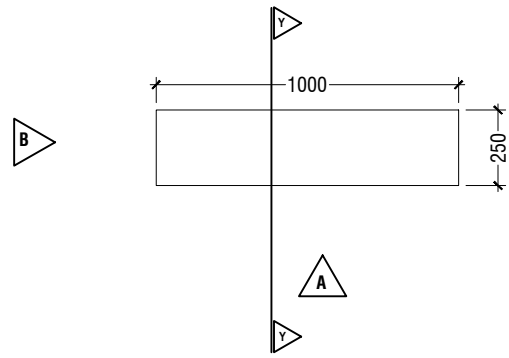


RIYON PRIVATE LIMITED

t: +9603315049 f: +9603310776
e: info@riyan.com.mv
w: www.riyan.com.mv
3rd floor, H. Azum, Ameenemagu, Male'

Title:

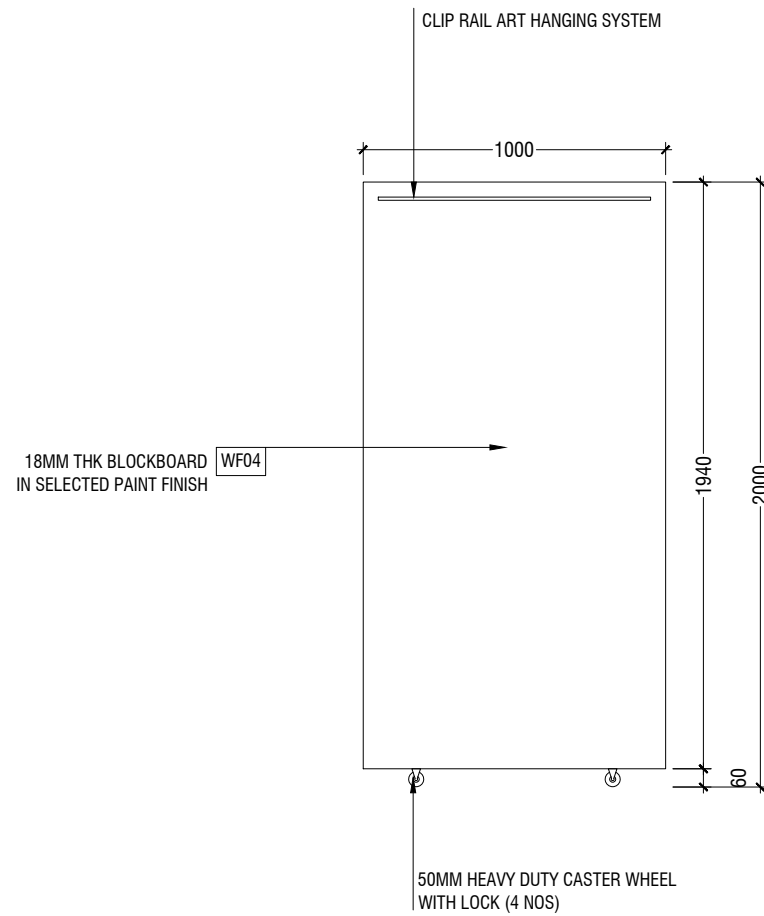
The contents of these drawings remain as a property of Riyon Private Limited. Any use other than those expressly stated is a violation of this copyright.



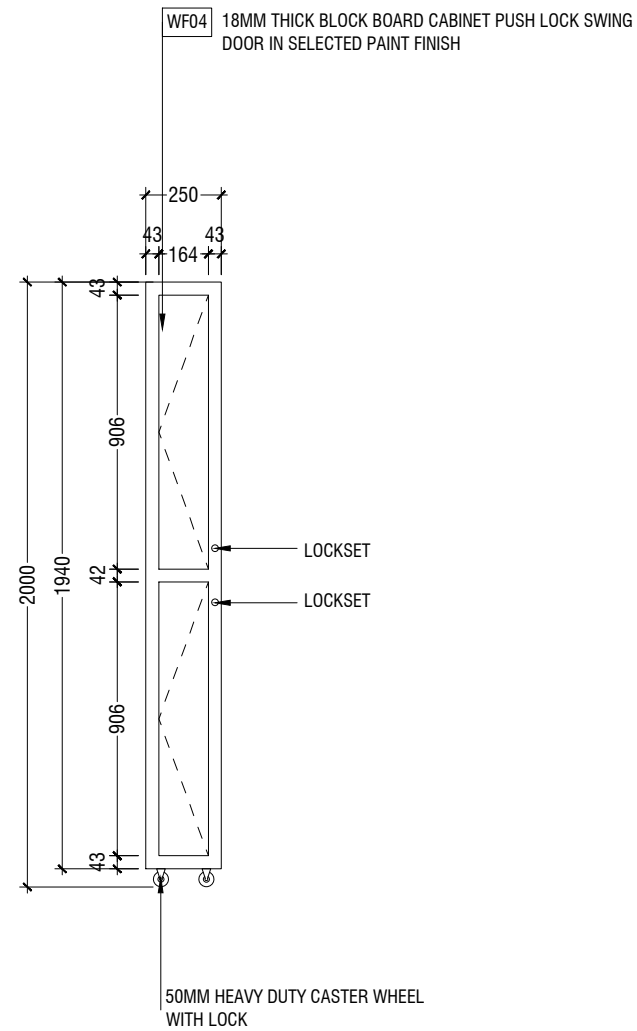
DT7A - PLAN

NOTE:

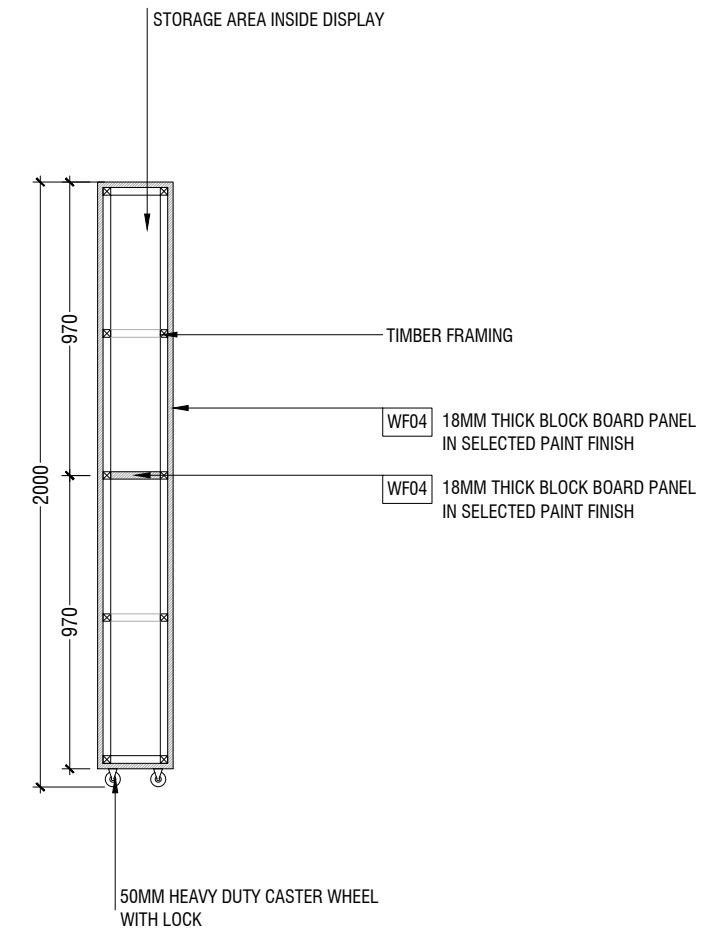
- ALL DIMENSIONS TO BE CHECKED BY CONTRACTOR PRIOR TO FABRICATION OF ANY CARPENTRY WORKS.
- TYPICAL GALLERY MOVABLE DISPLAY UNITS TO APPLY TO ALL UNITS. (LENGTH WILL VARY)
- 2 UNITS WITH 1000MM LENGTH AND 5 UNITS WITH 800MM LENGTH



DT7A - ELEVATION A

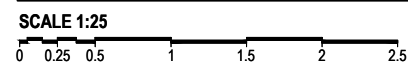


DT7A - ELEVATION B



DT7A - SECTION Y-Y

DT7 - GALLERY AREA DISPLAY UNIT DESIGN



SME Hub Interior Design
Client: Business Center Corporation (BCC)

Rev no	By	Date

Project Number: R271178CC
Date: May, 2022
Architect: -
Engineer: -
Drawn by: Abdulla Aman Mohamed
Services: -
Interior: Abdulla Aman Mohamed

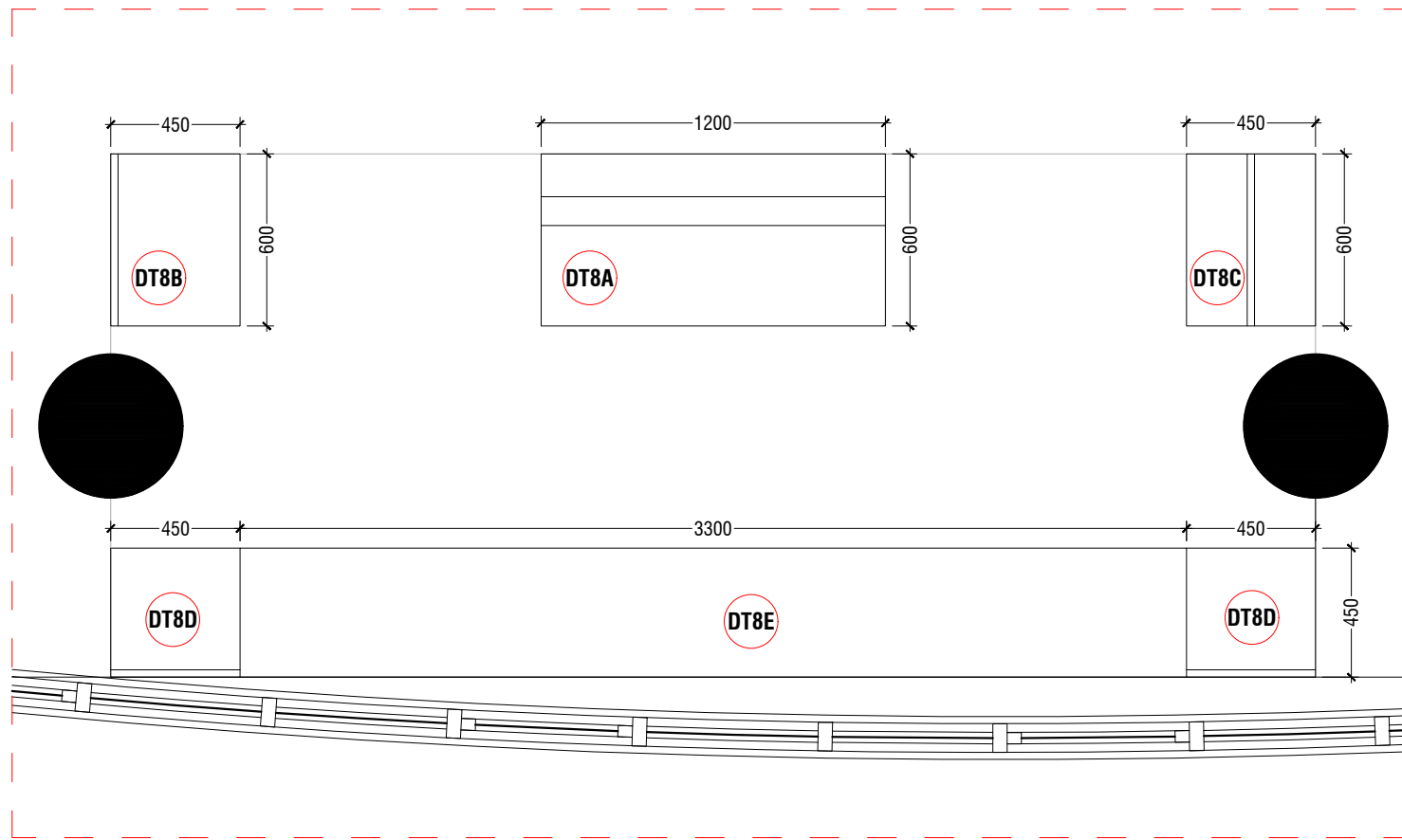


RIYAN PRIVATE LIMITED

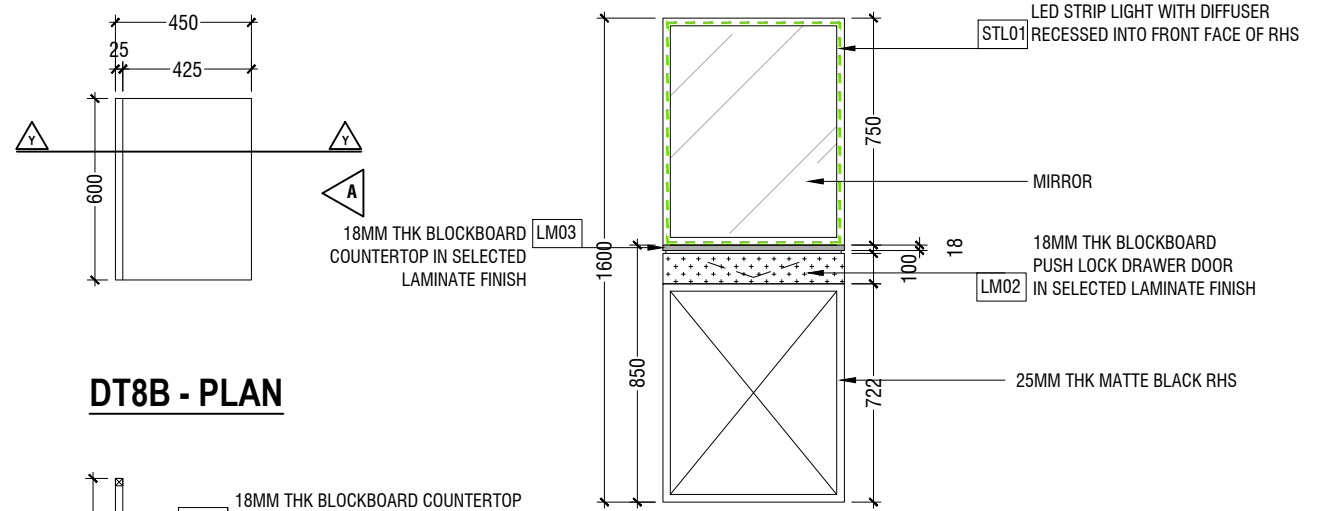
t: +9603315049 f: +9603310776
e: info@riyan.com.mv
w: www.riyan.com.mv
3rd floor, H. Azum, Ameenemagu, Male'

Title:

The contents of these drawings remain as a property of Riyan Private Limited. Any use other than those expressly stated is a violation of this copyright



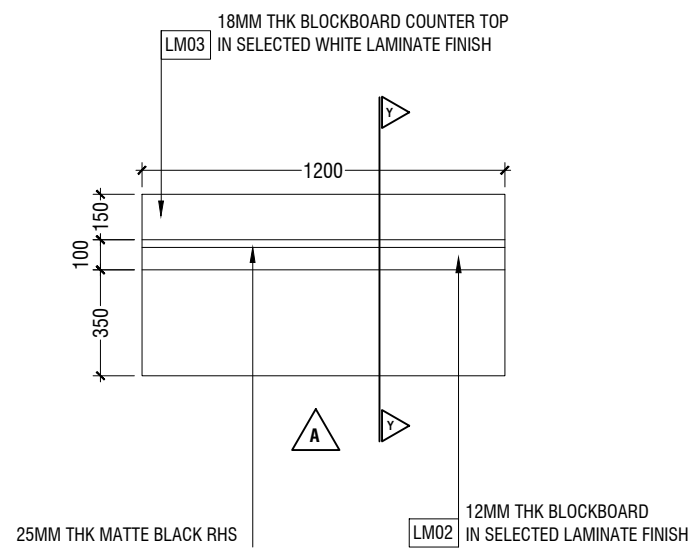
DT8 - PLAN



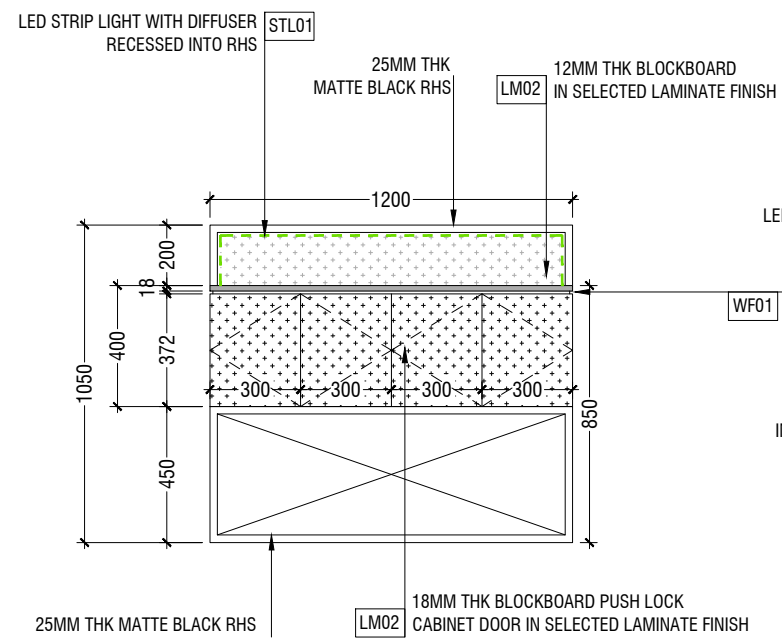
DT8B - PLAN

DT8B - SECTION Y-Y

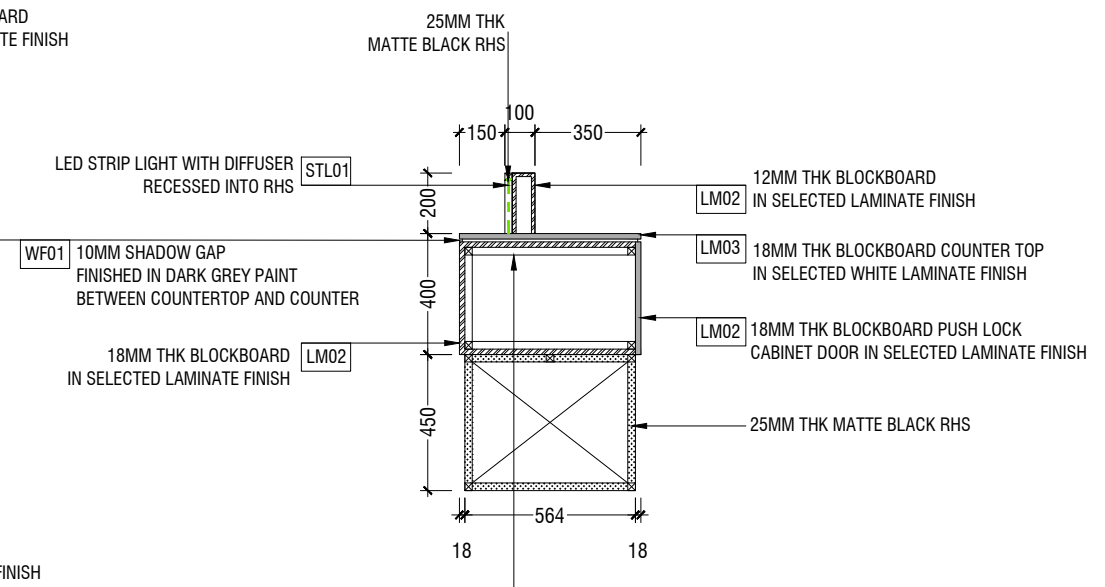
DT8B - ELEVATION



DT8A - PLAN

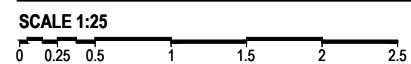


DT8A - ELEVATION A



DT8A - SECTION Y-Y

DT8 - COSMETICS KIOSK DESIGN



Rev no	By	Date

Project Number: R21178CC
 Date: May, 2022
 Architect: -
 Engineer: -
 Drawn by: Abdulla Aman Mohamed
 Services: Abdulla Aman Mohamed

SME Hub Interior Design
 Client: Business Center Corporation (BCC)

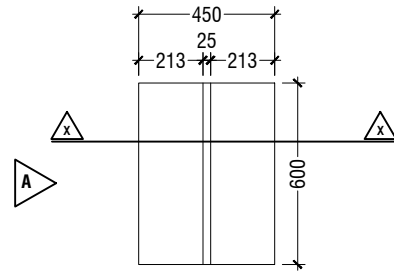


RIYAN PRIVATE LIMITED

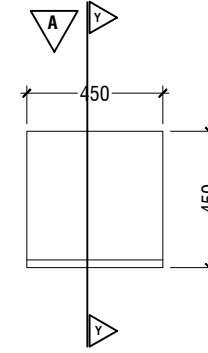
t: +9603315049 f: +9603310776
 e: info@riyan.com.mv
 w: www.riyan.com.mv
 3rd floor, H. Azum, Ameenemaguu, Male'

Title:

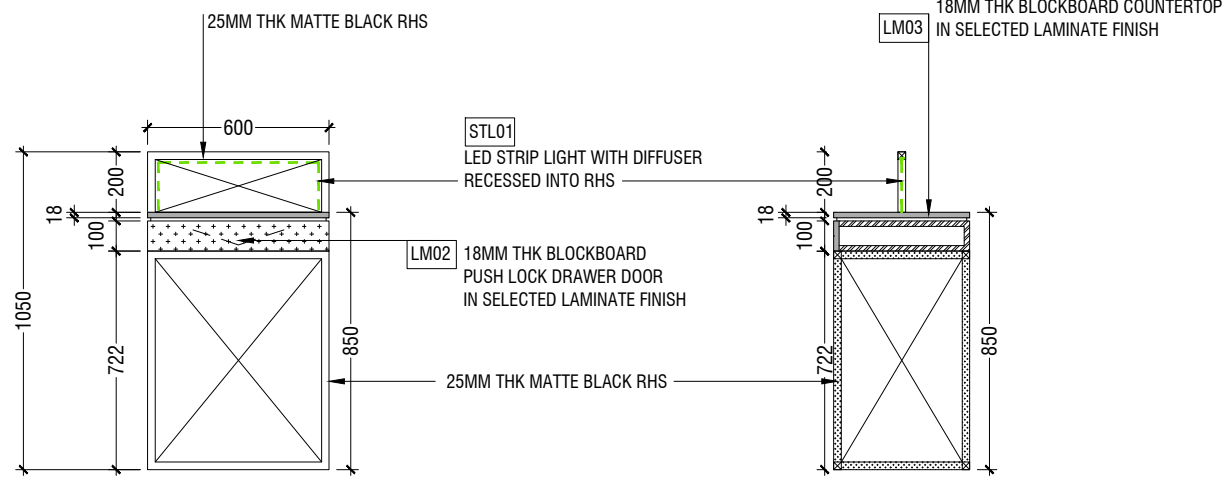
The contents of these drawings remain as a property of Riyan Private Limited. Any use other than those expressly stated is a violation of this copyright.



DT8C - PLAN

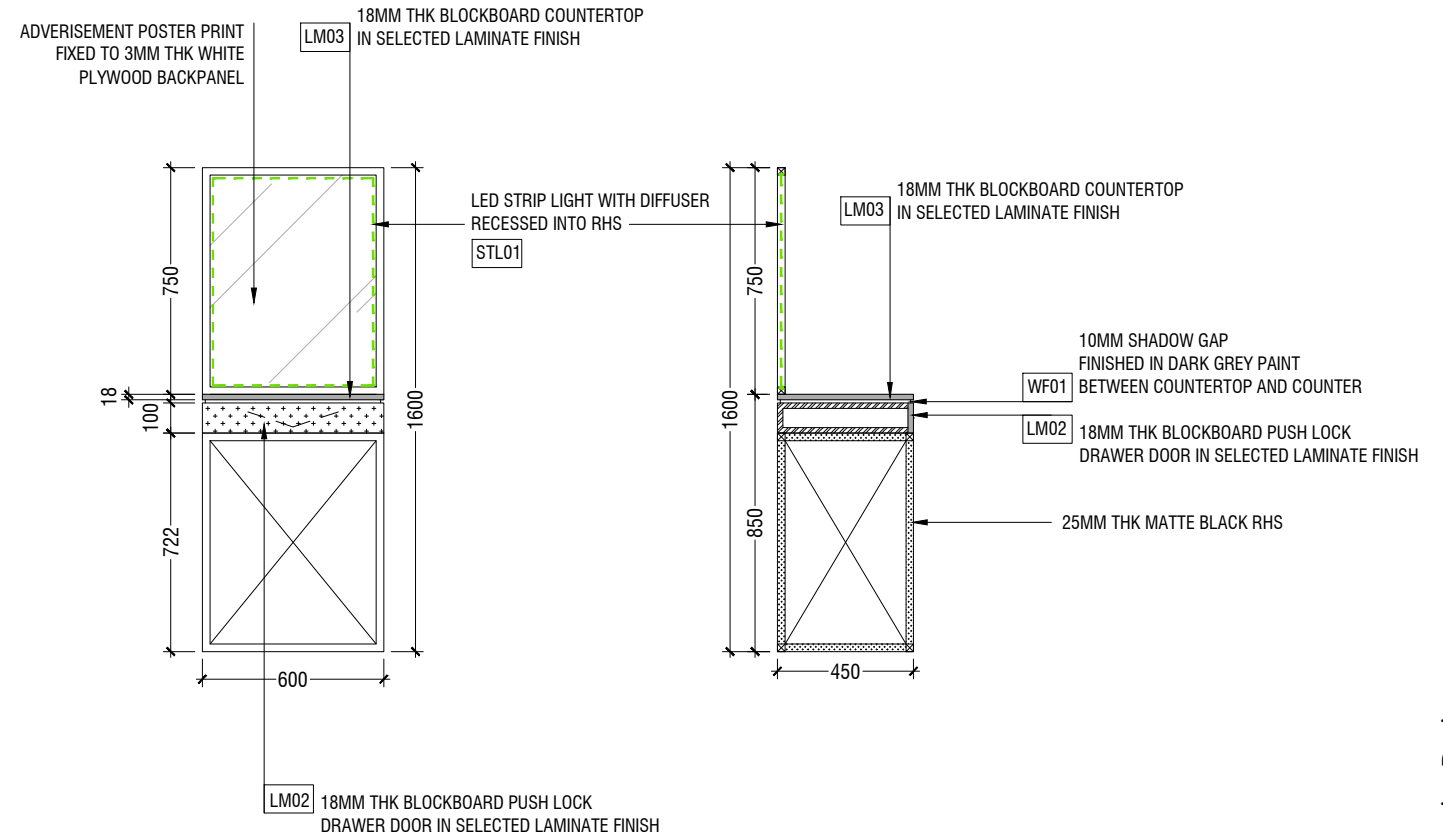


DT8D - PLAN



DT8C - ELEVATION A

DT8C - SECTION X-X



DT8D - ELEVATION A

DT8D - SECTION Y-Y

DT8 - COSMETICS KIOSK DESIGN



SME Hub Interior Design
Client: Business Center Corporation (BCC)

Rev no	By	Date

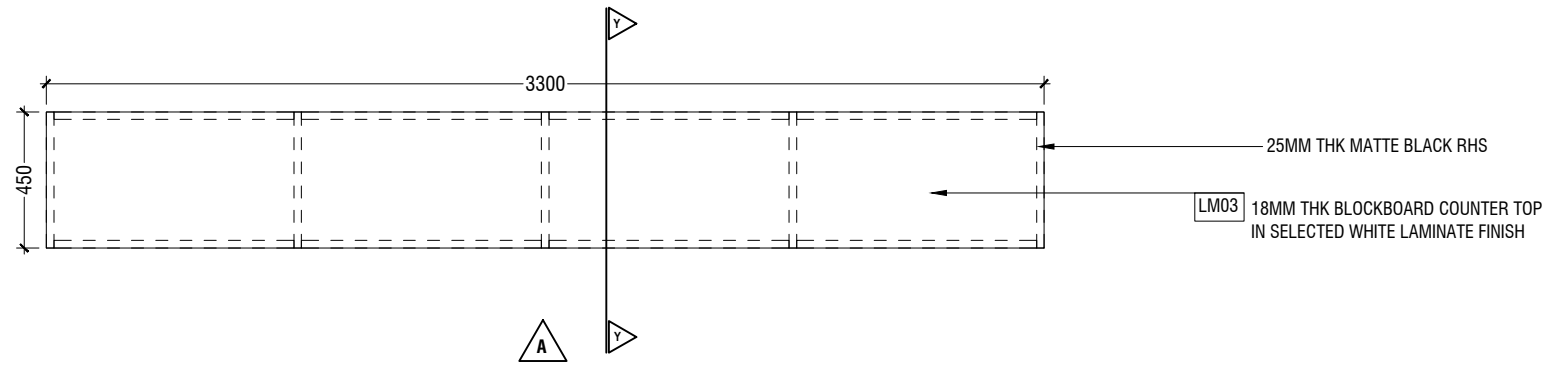
Project Number: R271178CC
Date: May, 2022
Architect: -
Engineer: -
Drawn by: Abdulla Aman Mohamed
Services: -
Interior: Abdulla Aman Mohamed



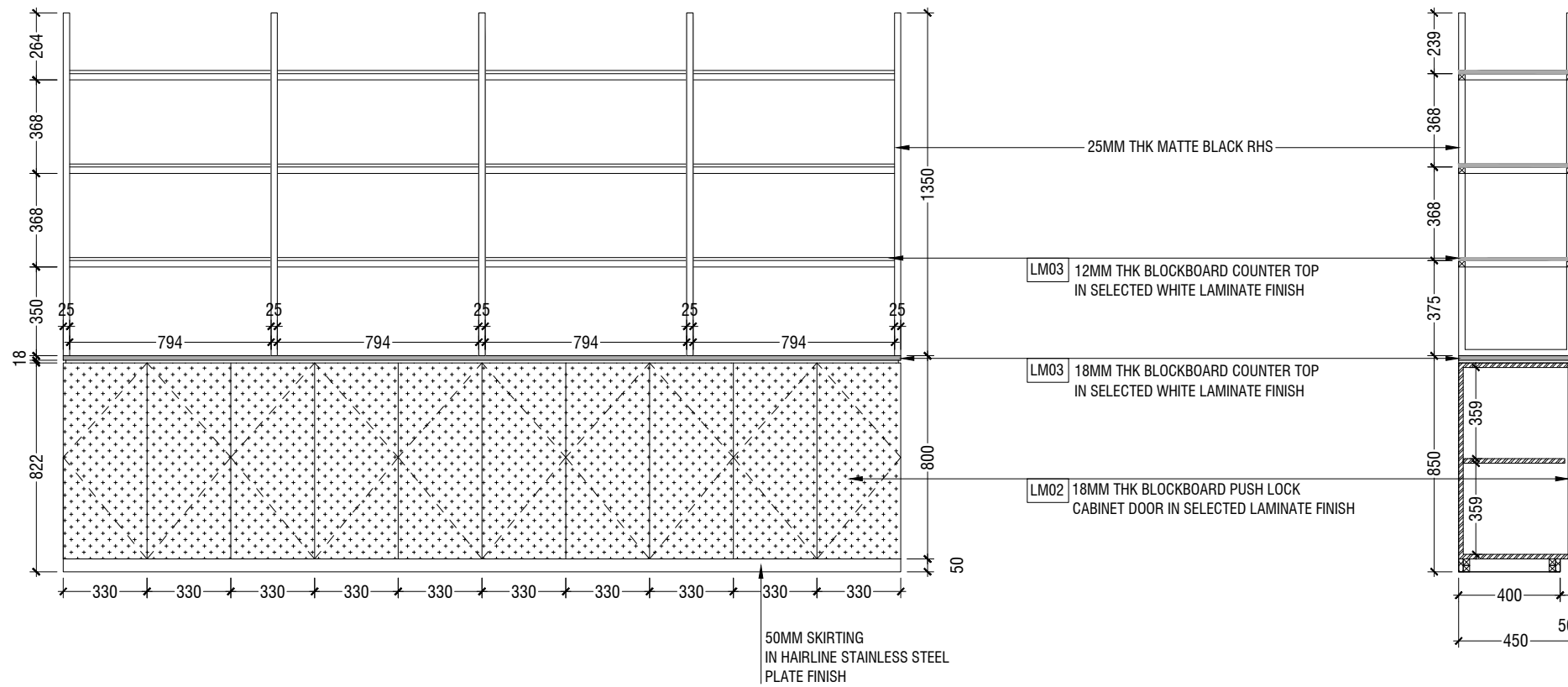
RYAN PRIVATE LIMITED

t: +9603315049 f: +9603310776
e: info@ryan.com.mv
w: www.ryan.com.mv
3rd floor, H. Azum, Ameenemagu, Male'

Title:



DT8E - PLAN



DT8E - ELEVATION A

DT8E - ELEVATION A

DT8 - COSMETICS KIOSK DESIGN



SME Hub Interior Design
Client: Business Center Corporation (BCC)

Rev no	By	Date

Project Number: R21178CC
Date: May, 2022
Architect: -
Engineer: -
Drawn by: Abdulla Aman Mohamed
Services: -
Interior: Abdulla Aman Mohamed

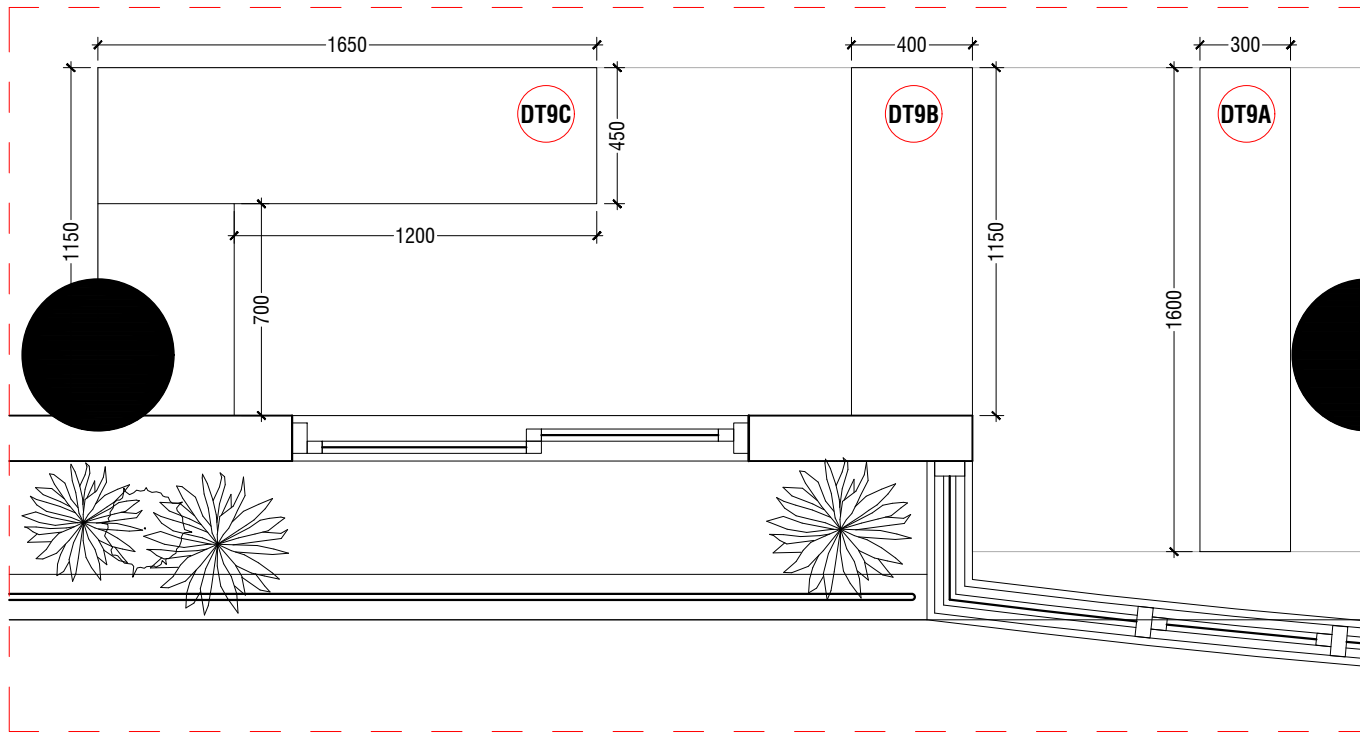


RIYAN PRIVATE LIMITED

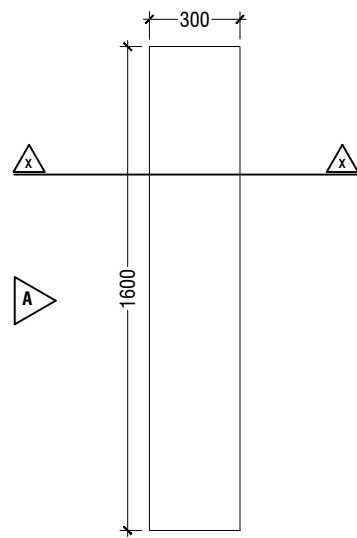
t: +9603315049 f: +9603310776
e: info@riyan.com.mv
w: www.riyan.com.mv
3rd floor, H. Azum, Ameenemagu, Male'

Title:

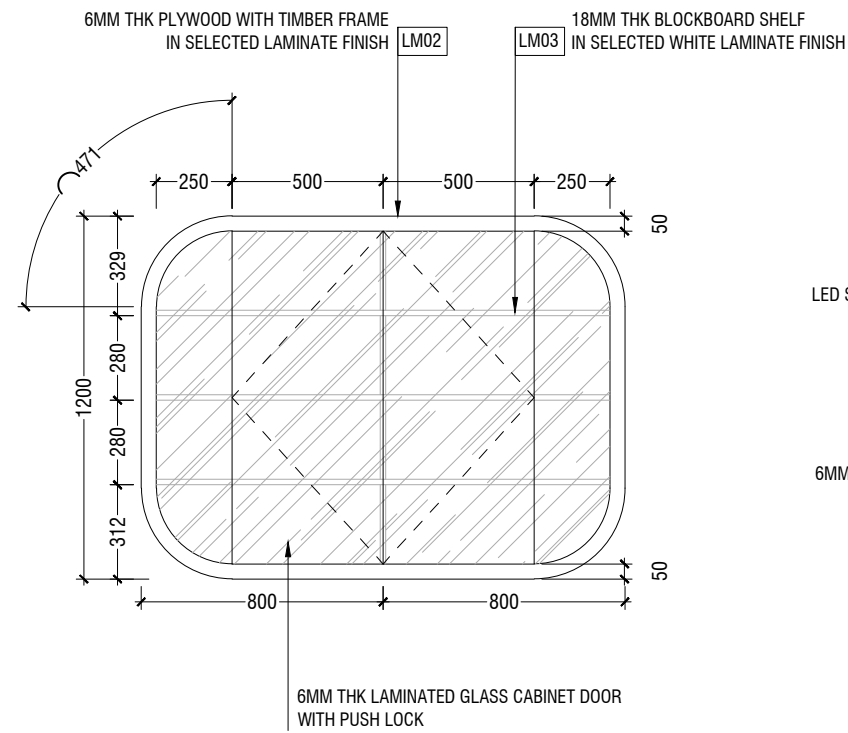
The contents of these drawings remain as a property of Riyan Private Limited. Any use other than those expressly stated is a violation of this copyright



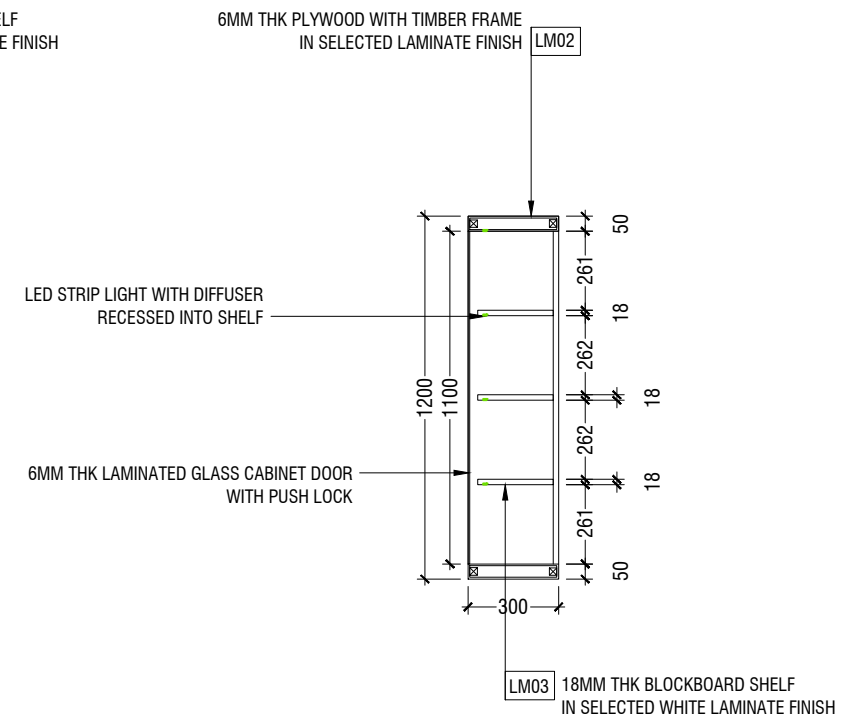
DT9 - PLAN



DT9A - PLAN

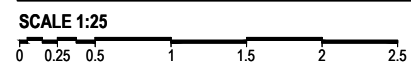


DT9A - ELEVATION A



DT9A - SECTION X-X

DT9 - TOYS KIOSK DESIGN



SME Hub Interior Design
Client: Business Center Corporation (BCC)

Rev no	By	Date

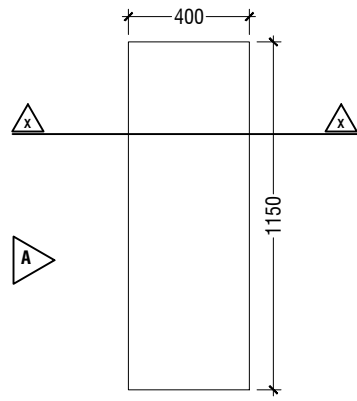
Project Number: R27117BCC
Date: May, 2022
Architect: -
Engineer: -
Drawn by: Abdulla Aman Mohamed
Services: -
Interior: Abdulla Aman Mohamed



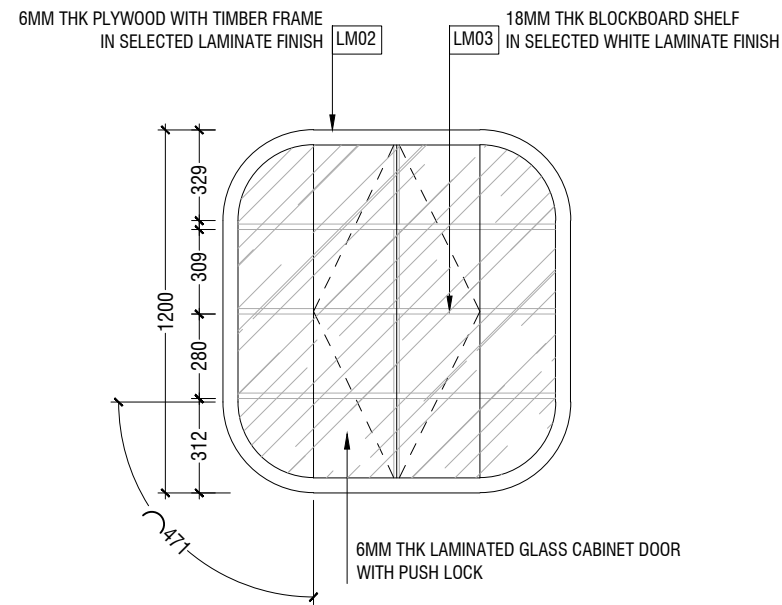
RIYAN PRIVATE LIMITED

t: +9603315049 f: +9603310776
e: info@riyan.com.mv
w: www.riyan.com.mv
3rd floor, H. Azum, Ameenemagu, Male'

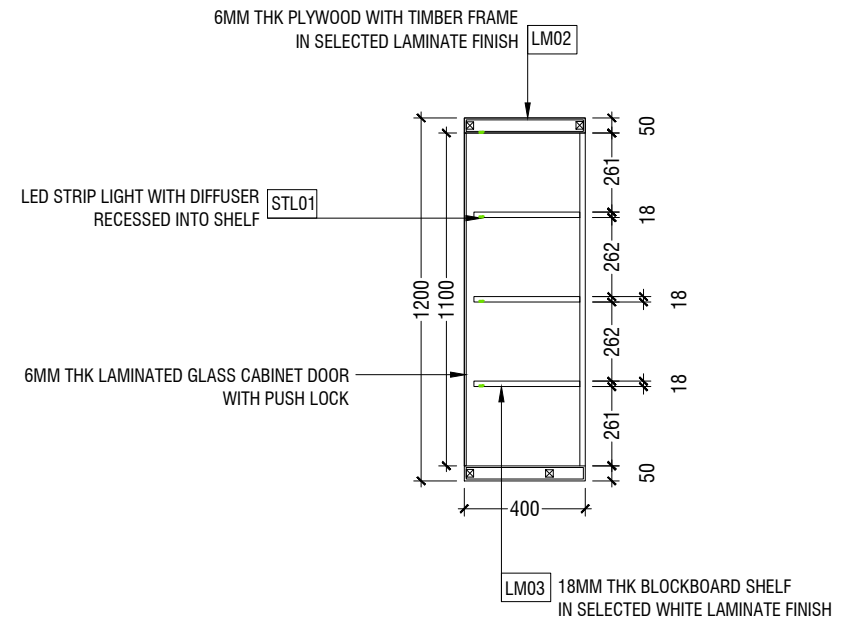
Title:



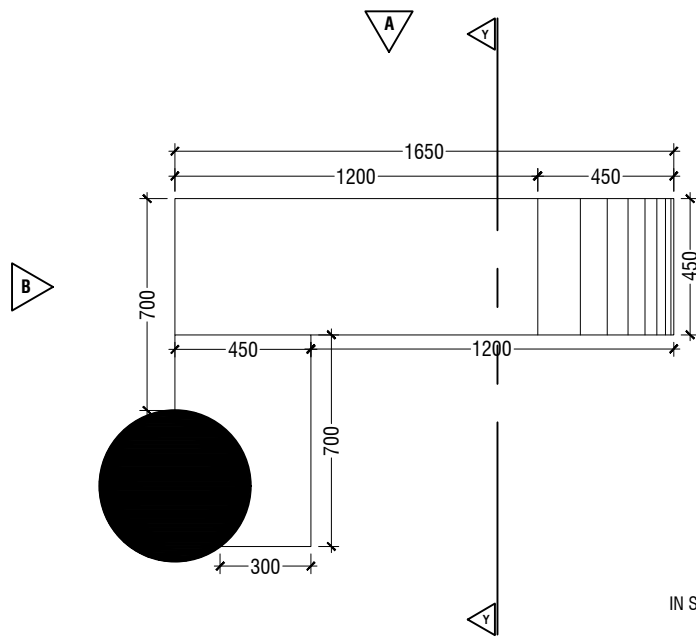
DT9B - PLAN



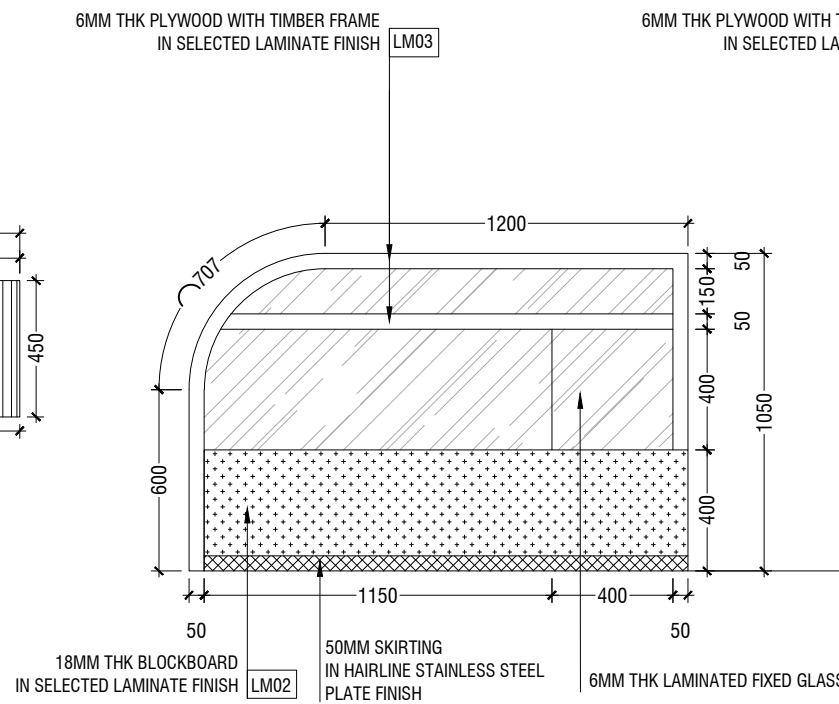
DT9B - ELEVATION A



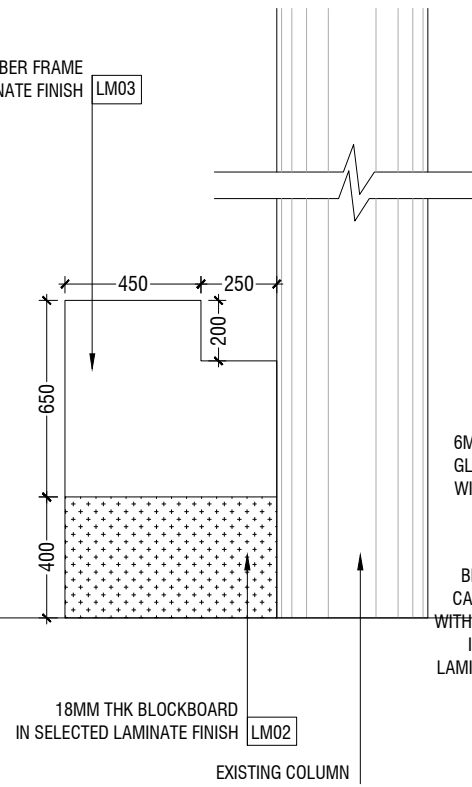
DT9B - SECTION X-X



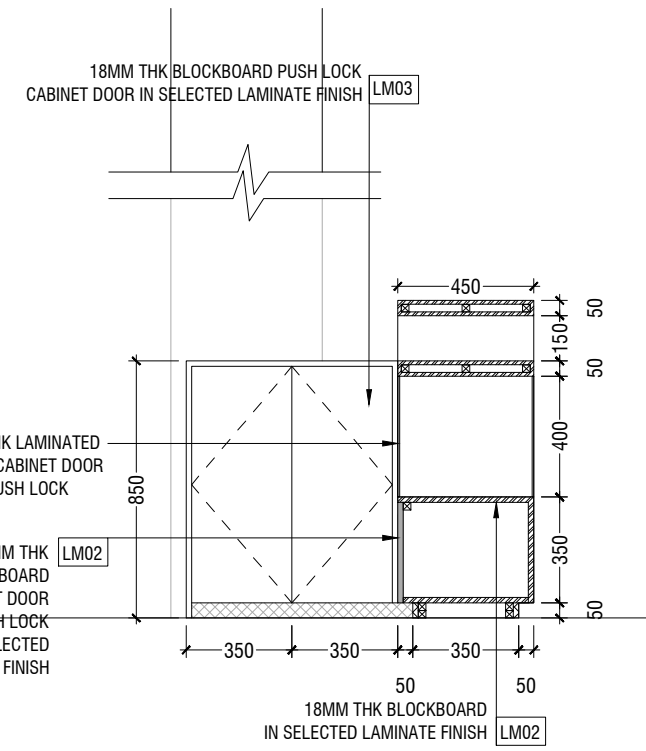
DT9C - PLAN



DT9C - ELEVATION A

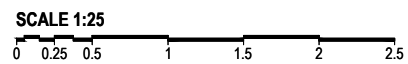


DT9C - ELEVATION B



DT9C - SECTION Y-Y

DT9 - TOYS KIOSK DESIGN



SME Hub Interior Design
Client: Business Center Corporation (BCC)

Rev no	By	Date

Project Number: R2117BCC
Date: May, 2022
Architect: -
Engineer: -
Drawn by: Abdulla Aman Mohamed
Services: -
Interior: Abdulla Aman Mohamed

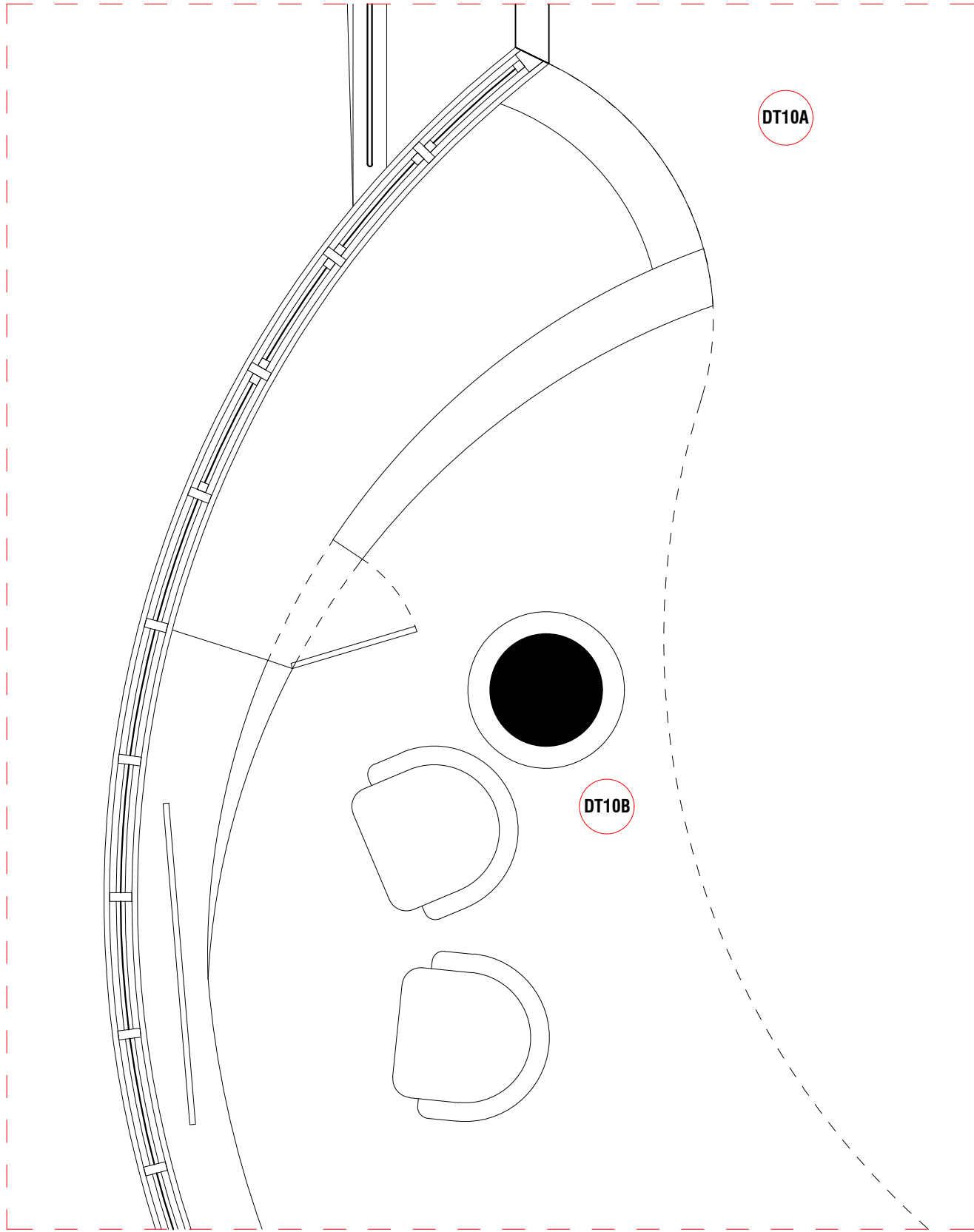


RYAN PRIVATE LIMITED

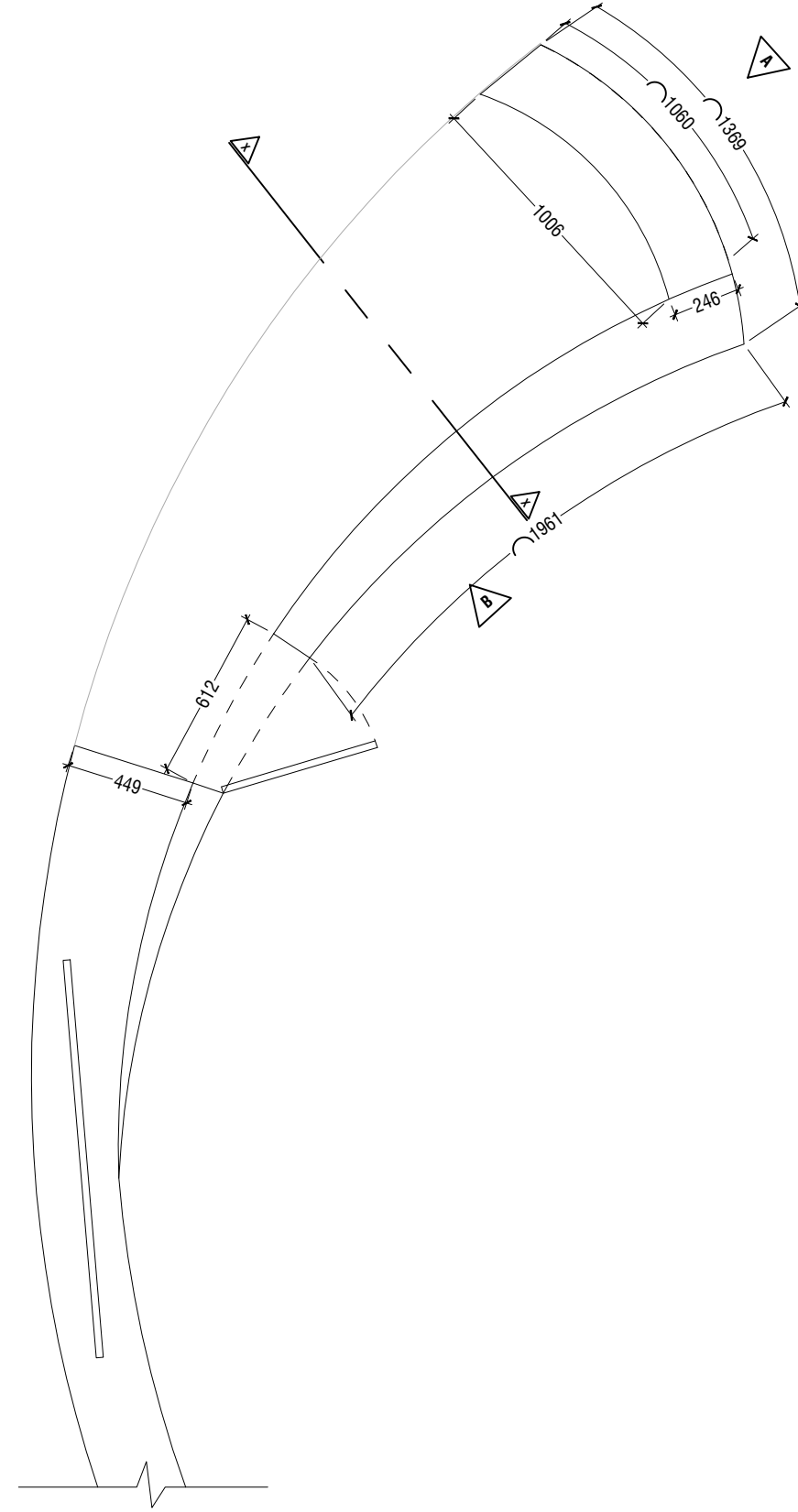
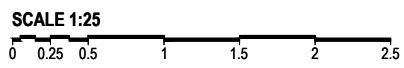
t: +9603315049 f: +9603310776
e: info@ryan.com.mv
w: www.ryan.com.mv
3rd floor, H. Azum, Ameenemagau, Male'

Title:

The contents of these drawings remain as a property of RYAN PRIVATE LIMITED. Any use other than those expressly stated is a violation of this copyright.



DT10 - GAMING STATION DESIGN



DT10A - PLAN

SME Hub Interior Design
 Client: Business Center Corporation (BCC)

Rev no	By	Date

Project Number: R21178CC
 Date: May, 2022
 Architect: -
 Engineer: -
 Drawn by: Abdulla Aman Mohamed
 Services: -
 Interior: Abdulla Aman Mohamed

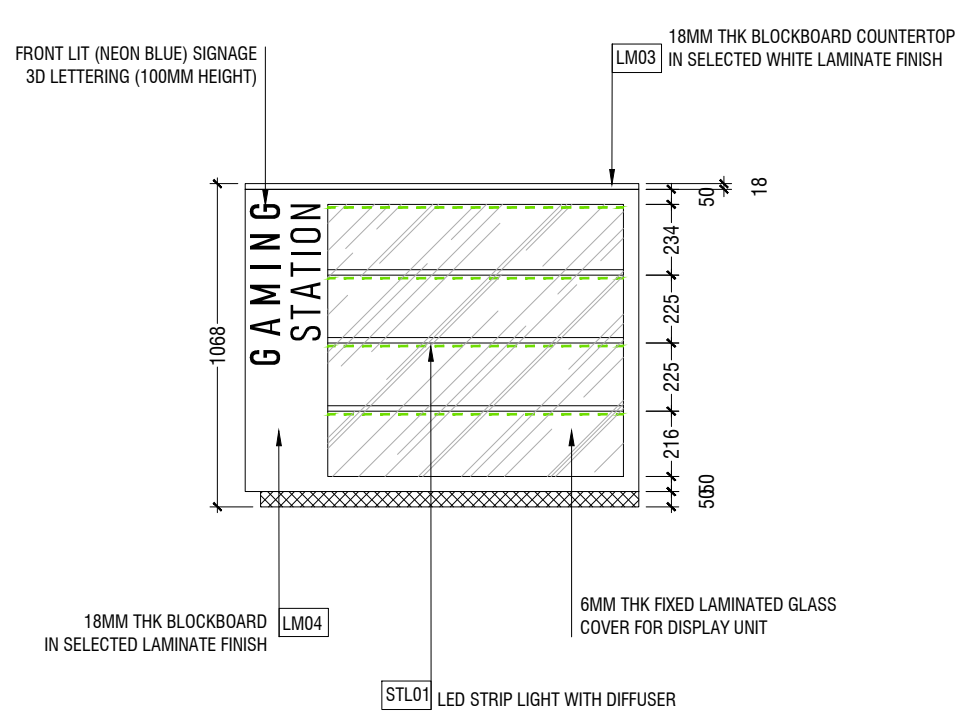


RIYAN PRIVATE LIMITED

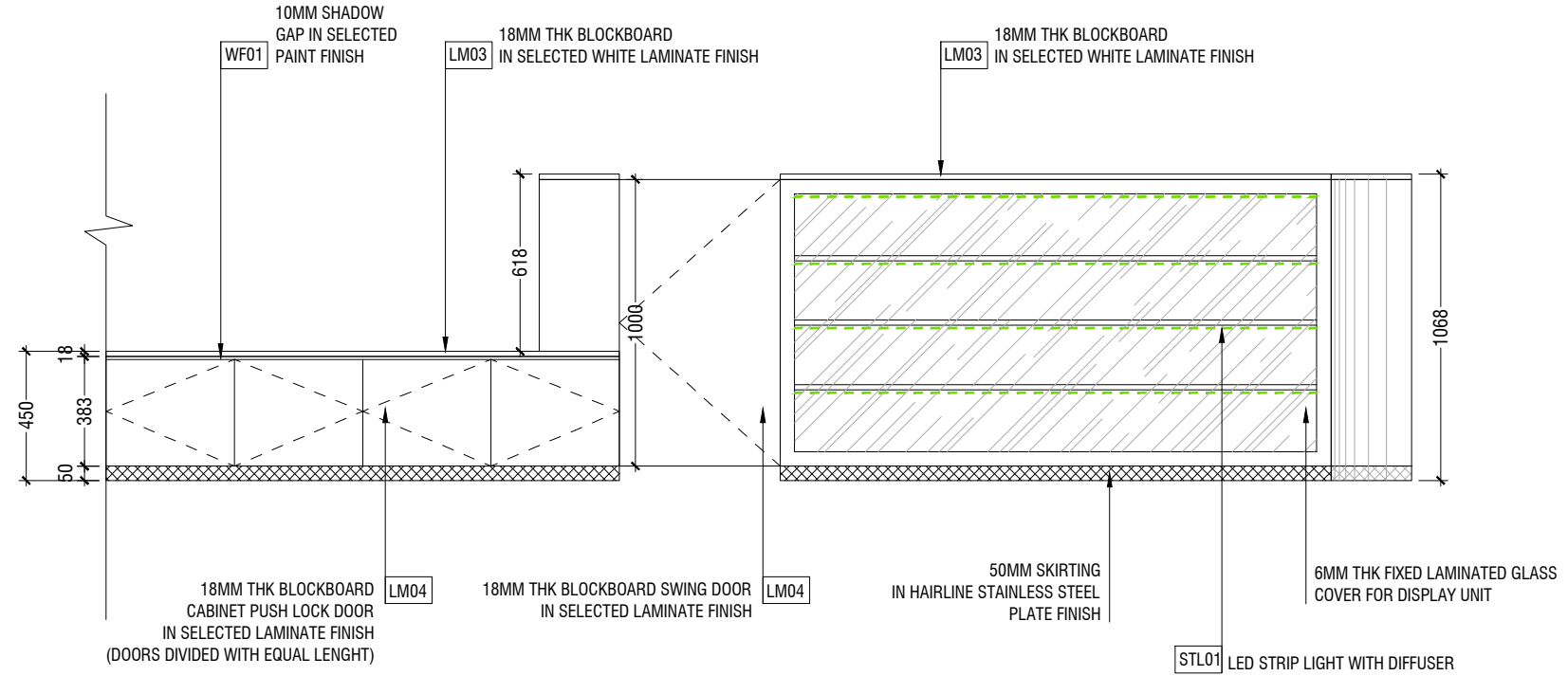
t: +9603315049 f: +9603310776
 e: info@riyan.com.mv
 w: www.riyan.com.mv
 3rd floor, H. Azum, Ameenemagau, Male'

Title:

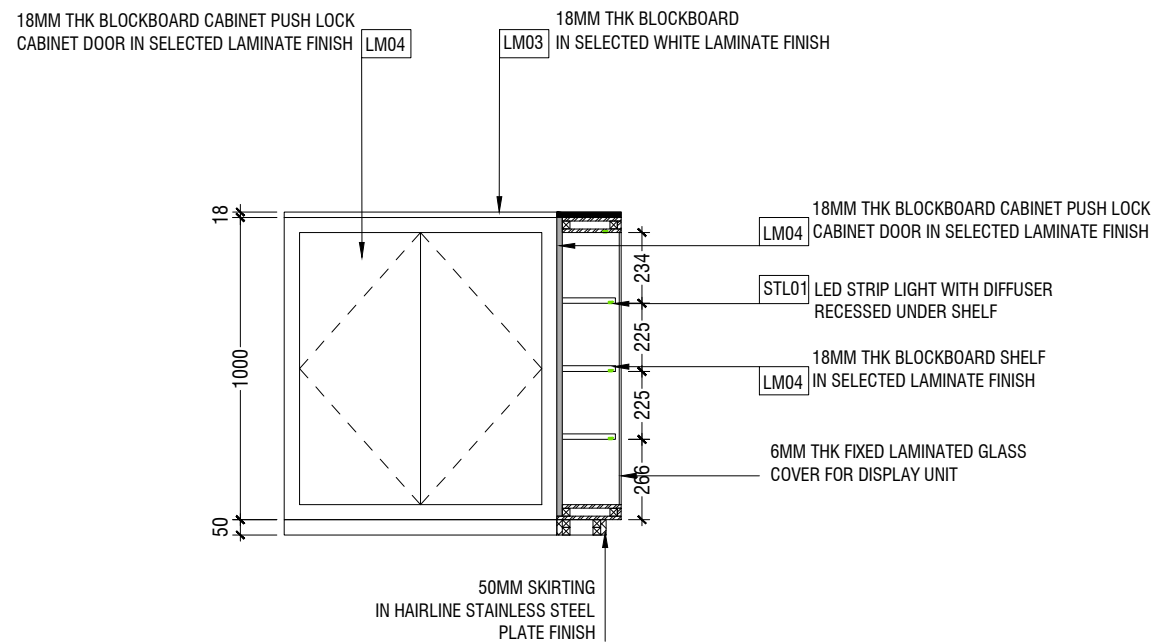
Page: A-22/34



DT10A - ELEVATION A

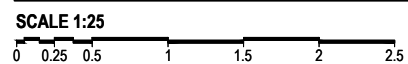


DT10A - ELEVATION B



DT10A - SECTION X-X

DT10 - GAMING STATION DESIGN



SME Hub Interior Design
Client: Business Center Corporation (BCC)

Rev no	By	Date

Project Number: R271178CC
Date: May, 2022
Architect: -
Engineer: -
Drawn by: Abdulla Aman Mohamed
Interior: Abdulla Aman Mohamed

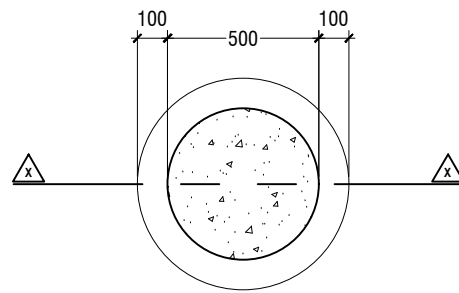


RYAN PRIVATE LIMITED

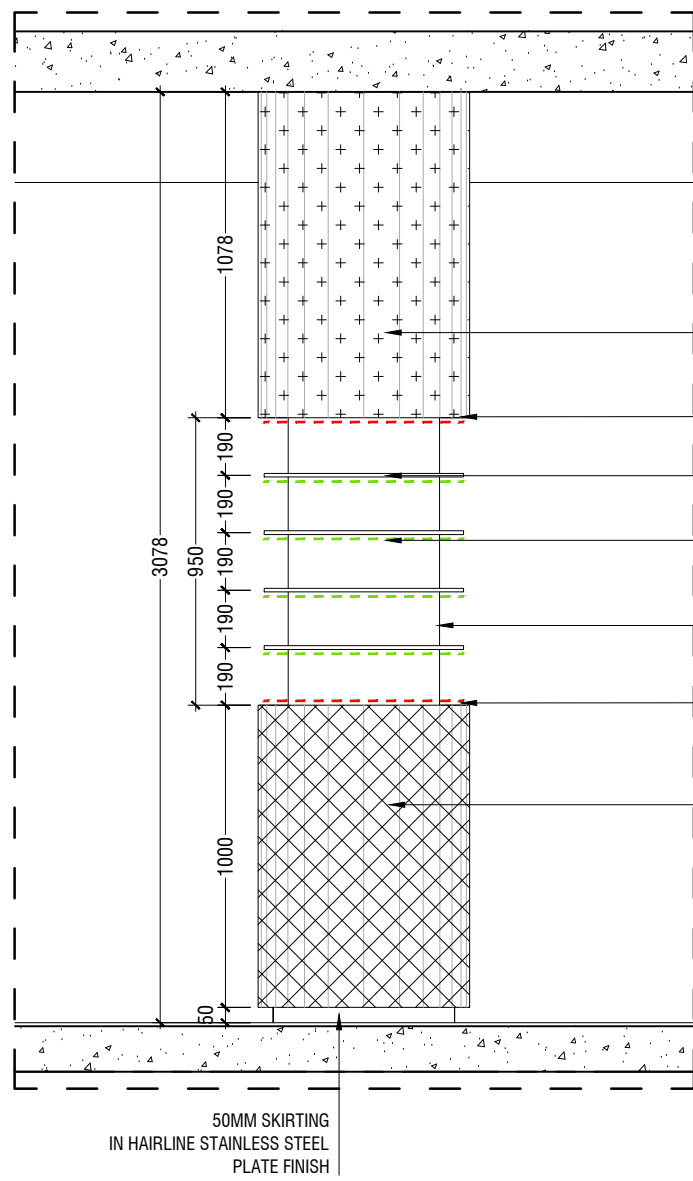
t: +9603315049 f: +9603310776
e: info@ryan.com.mv
w: www.ryan.com.mv
3rd floor, H. Azum, Ameenemagu, Male'

Title:

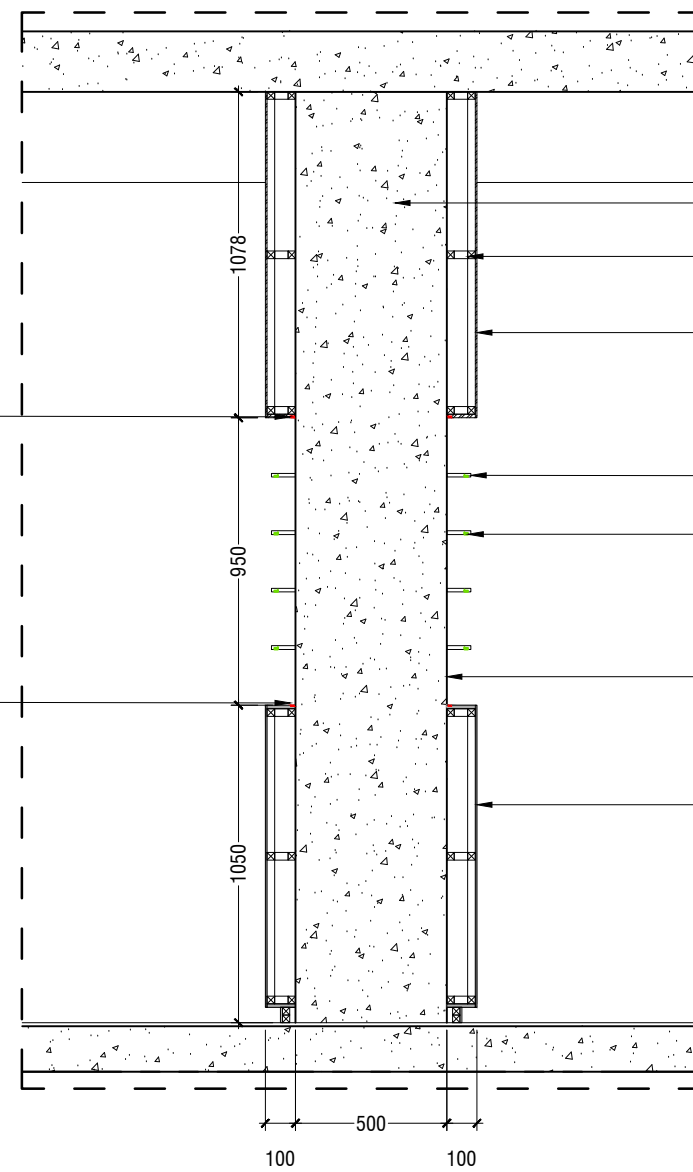
The contents of these drawings remain as a property of Ryan Private Limited. Any use other than those expressly stated is a violation of this copyright.



DT10B - PLAN

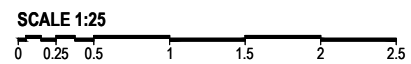


DT10B - ELEVATION A



DT10B - SECTION X-X

DT10 - GAMING STATION DESIGN



SME Hub Interior Design
Client: Business Center Corporation (BCC)

Rev no	By	Date

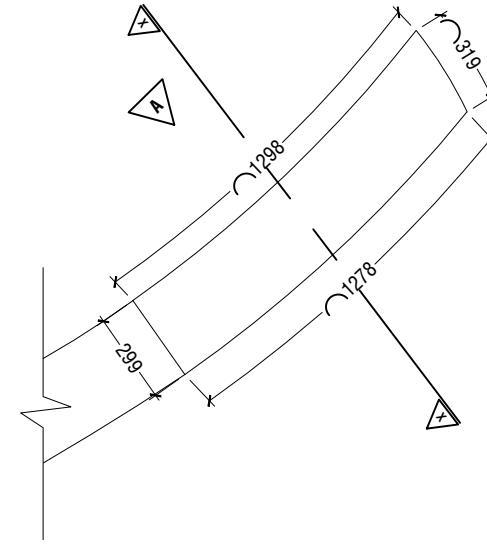
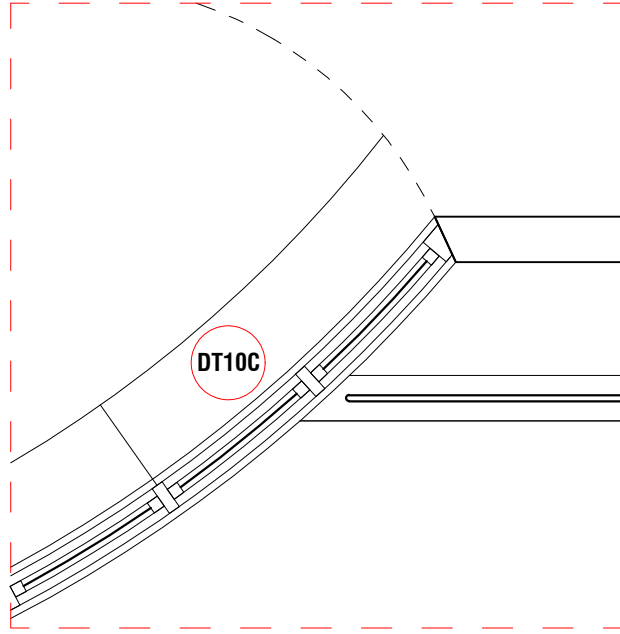
Project Number: R2117BCC
Date: May 2022
Architect: -
Engineer: -
Drawn by: Abdulla Aman Mohamed
Services: -
Interior: Abdulla Aman Mohamed



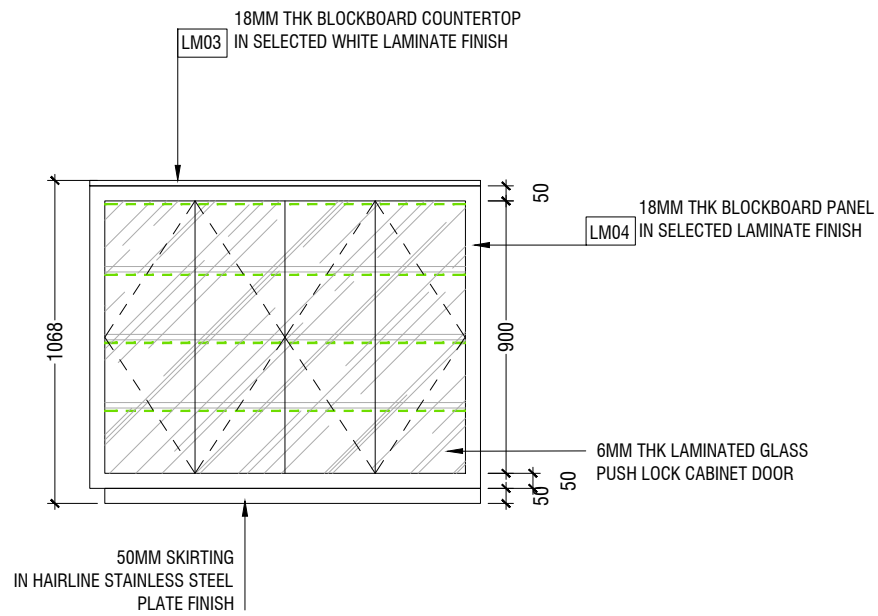
RIYAN PRIVATE LIMITED

t: +9603315049 f: +9603310776
e: info@riyan.com.mv
w: www.riyan.com.mv
3rd floor, H. Azum, Ameenemaggu, Male'

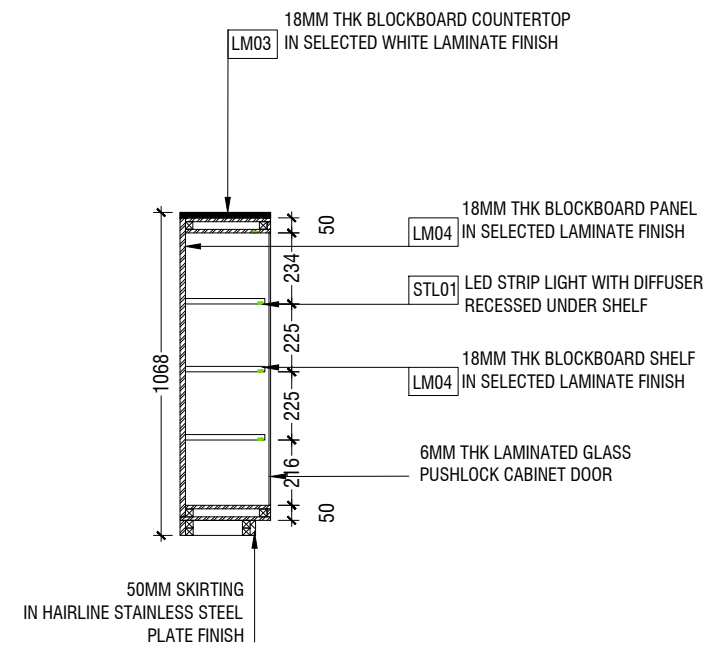
Title:



DT10C - PLAN

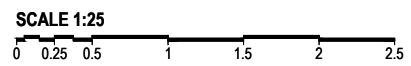


DT10C - ELEVATION A



DT10C - SECTION X-X

DT10 - GAMING STATION DESIGN



SME Hub Interior Design
Client: Business Center Corporation (BCC)

Rev no	By	Date

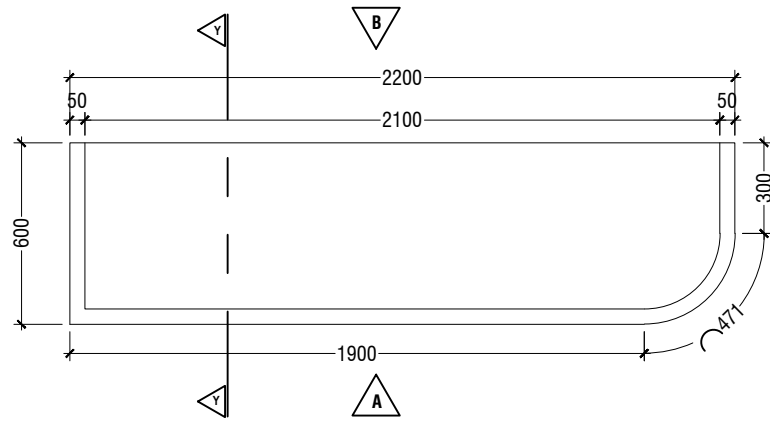
Project Number: R271178CC
Date: May, 2022
Architect: -
Engineer: -
Drawn by: Abdulla Aman Mohamed
Services: -
Interior: Abdulla Aman Mohamed



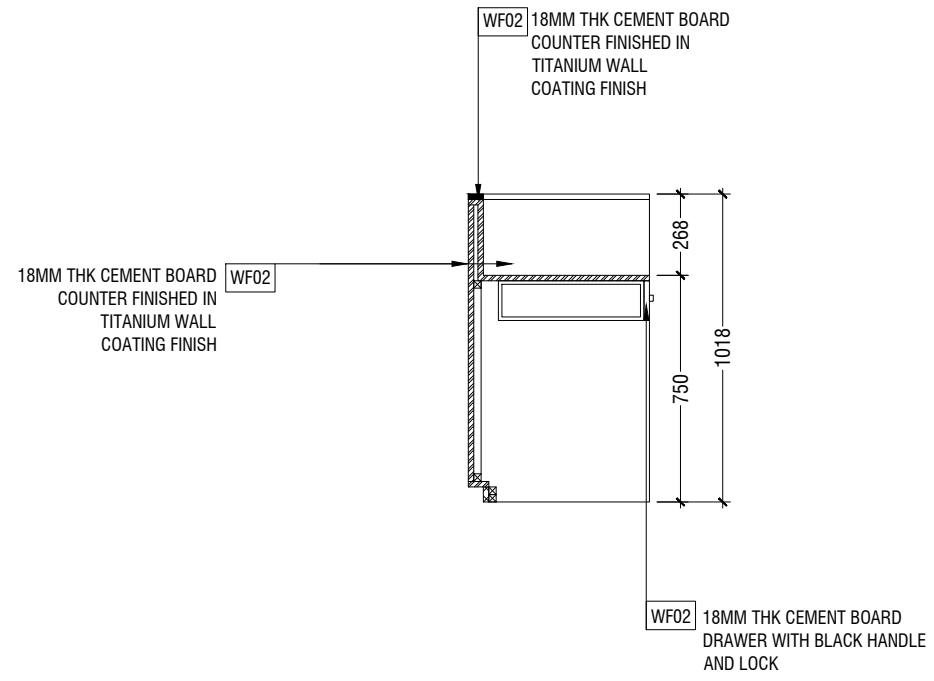
RIYAN PRIVATE LIMITED

t: +9603315049 f: +9603310776
e: info@riyan.com.mv
w: www.riyan.com.mv
3rd floor, H. Azum, Ameenemagu, Male'

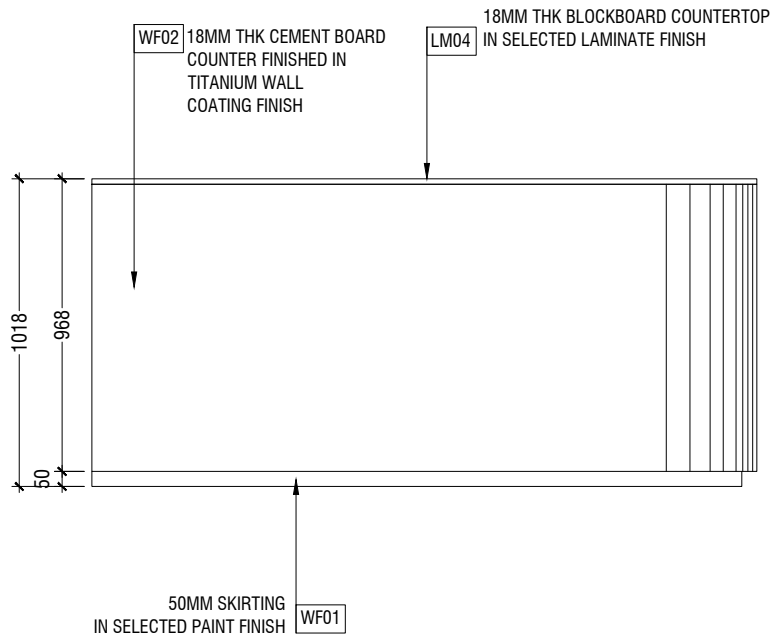
Title:



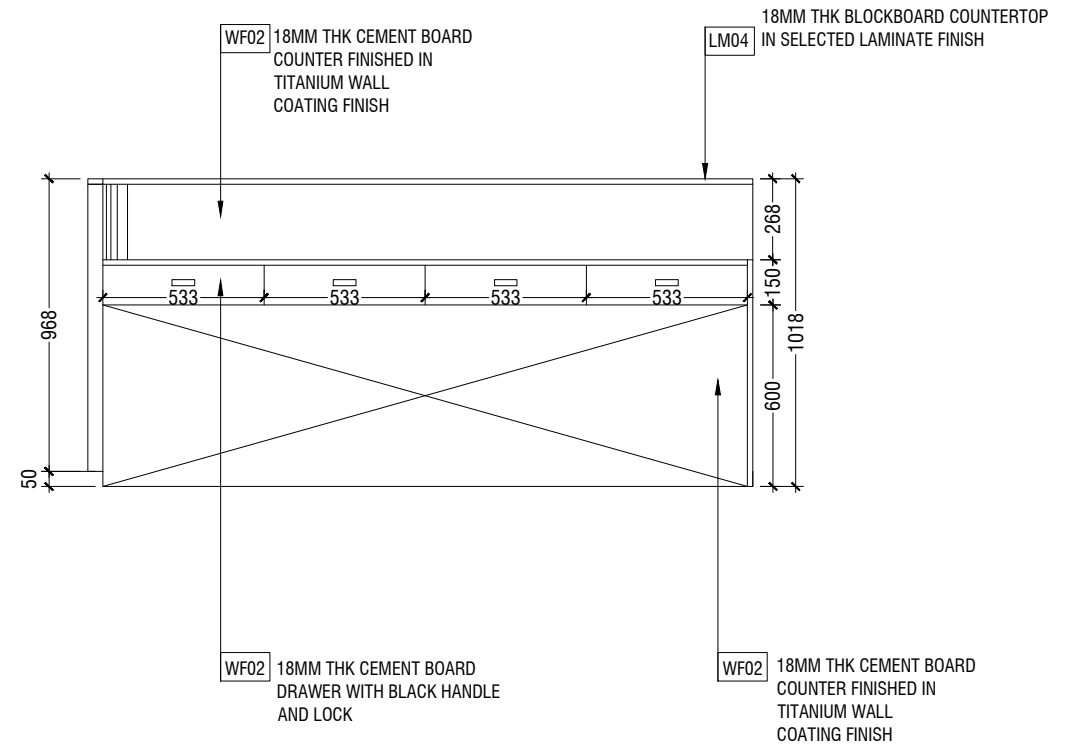
DT11 - PLAN



DT11 - SECTION Y-Y

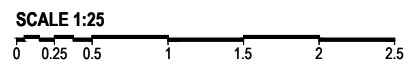


DT11 - ELEVATION A



DT11 - ELEVATION B

DT11 - TICKET COUNTER DESIGN



SME Hub Interior Design
Client: Business Center Corporation (BCC)

Rev no	By	Date

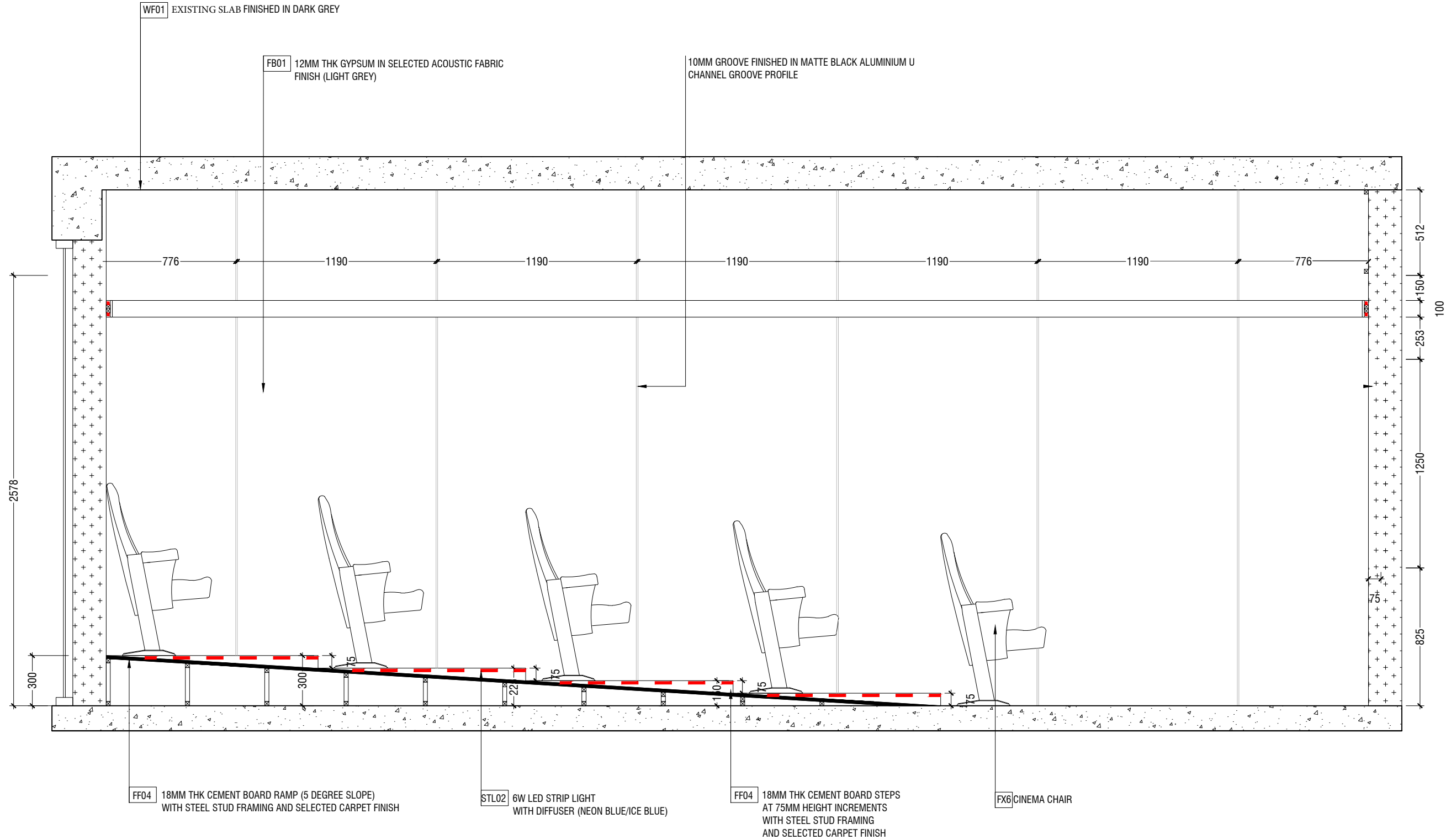
Project Number: R2117BCC
Date: May, 2022
Architect: -
Engineer: -
Drawn by: Abdulla Aman Mohamed
Services: -
Interior: Abdulla Aman Mohamed



RIYAN PRIVATE LIMITED

t: +9603315049 f: +9603310776
e: info@riyan.com.mv
w: www.riyan.com.mv
3rd floor, H. Azum, Ameenemaguu, Male'

Title:



DT12 - SECTION X-X

SCALE 1:25



SME Hub Interior Design
Client: Business Center Corporation (BCC)

Rev no	By	Date

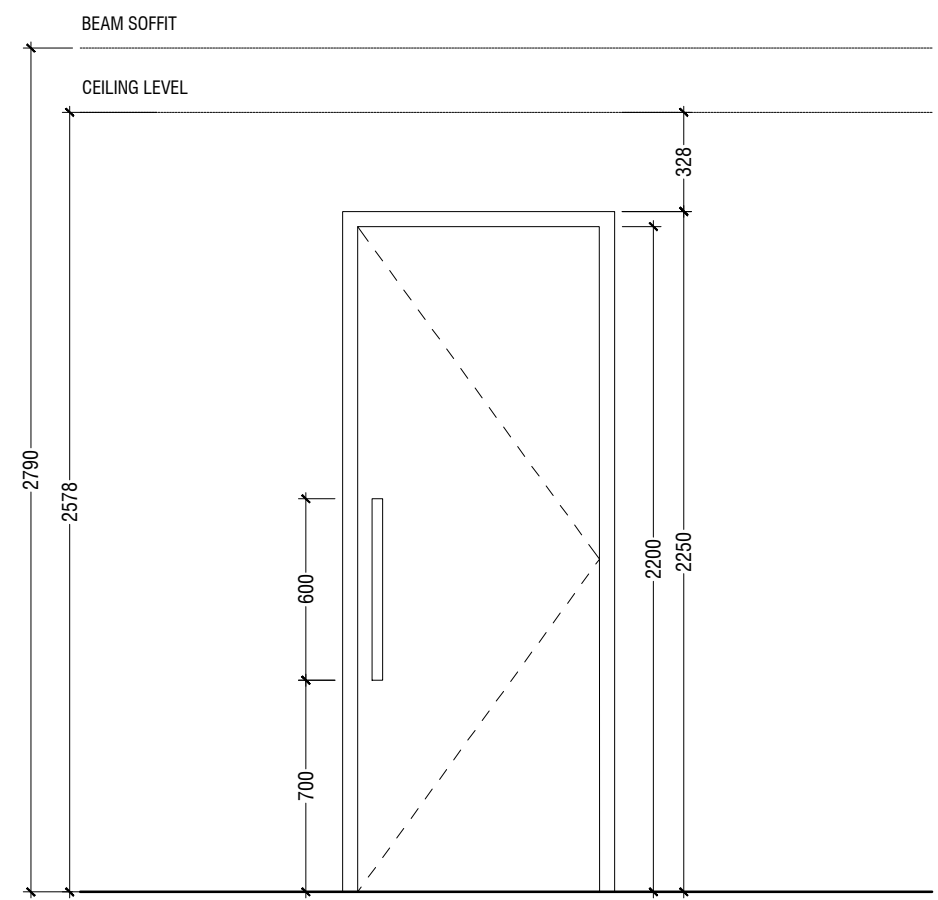
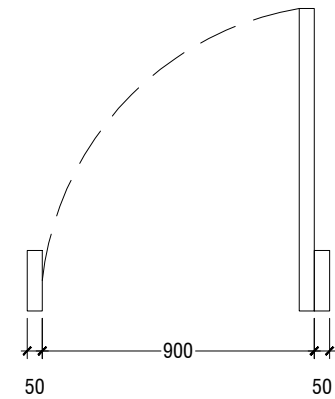
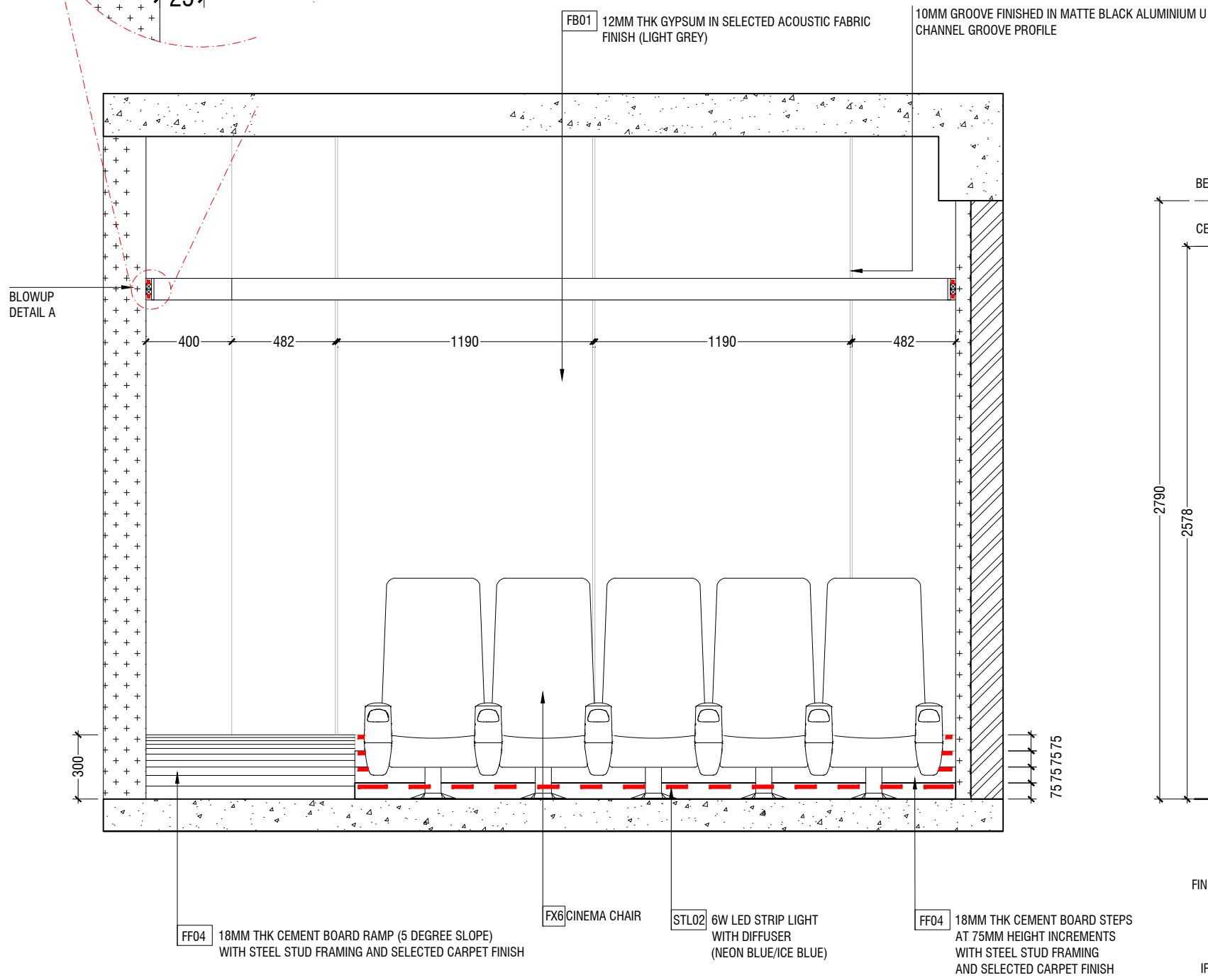
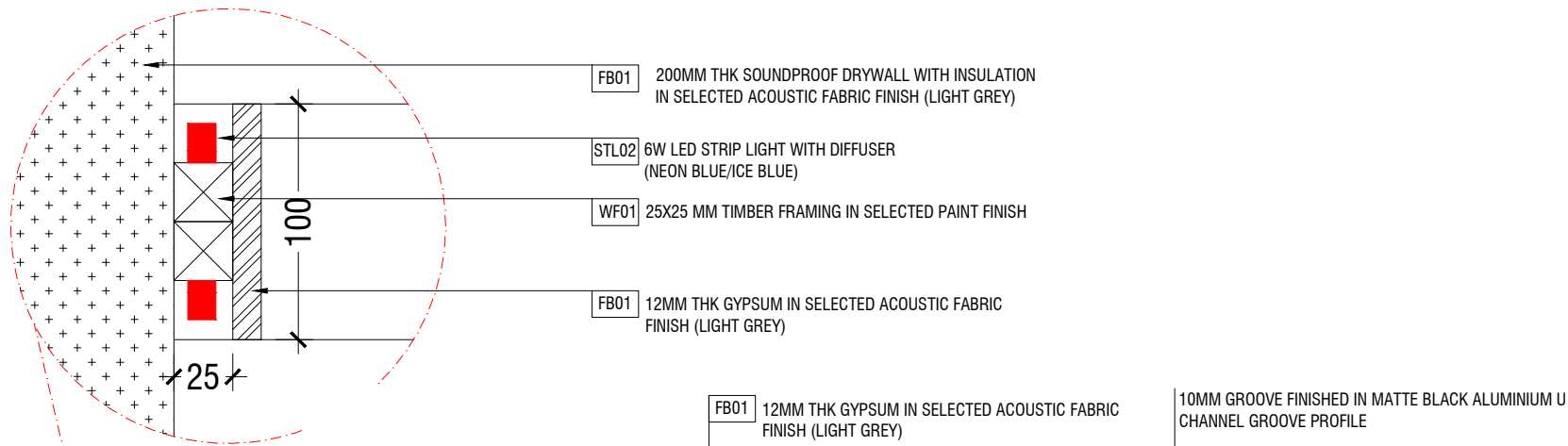
Project Number: R21178CC
Date: May, 2022
Architect: -
Engineer: -
Drawn by: Abdulla Aman Mohamed
Services: -
Interior: Abdulla Aman Mohamed



RIYAN PRIVATE LIMITED

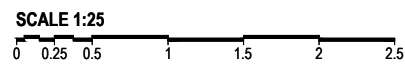
t: +9603315049 f: +9603310776
e: info@riyan.com.mv
w: www.riyan.com.mv
3rd floor, H. Azum, Ameenemagau, Male'

Title:

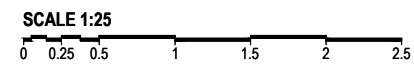


- DESCRIPTION: • 50MM THK CEMENT BOARD SWING OPEN DOOR WITH INSULATION
- FRAME: • CONCEALED CEMENT BOARD FRAME
- FINISH / GLAZING: • TITANIUM WALL COATING FINISH (WF02) ON OUTSIDE OF CINEMA
• ACOUSTIC FABRIC FINISH (FB01) ON INSIDE OF CINEMA
- HARDWARE: • 01 NOS. SOLID CEMENT BOARD DOOR PANEL WITH CONCEALED CEMENT BOARD FRAMING FLUSH WITH WALLS
• 08 NOS. HINGES.
• 01 NO. LOCKSET WITH DOOR HANDLES (MATTE BLACK FINISH)
• 01 NOS. DOOR CLOSER (MATTE BLACK)
- IRONMONGARY:

DT12 - SECTION Y-Y



DT12 - D01C DOOR DETAIL



SME Hub Interior Design
Client: Business Center Corporation (BCC)

Rev no	By	Date

Project Number: R2117BCC
Date: May, 2022
Architect: -
Engineer: -
Drawn by: Abdulla Aman Mohamed
Services: -
Interior: Abdulla Aman Mohamed



RYAN PRIVATE LIMITED



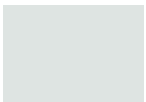

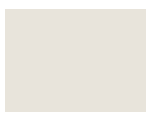
t: +9603315049 f: +9603310776
e: info@ryan.com.mv
w: www.ryan.com.mv
3rd floor, H. Azum, Ameenemagu, Male'

Title:




The contents of these drawings remain as a property of Ryan Private Limited. Any use other than those expressly stated is a violation of this copyright.

FURNITURE & FINISHING SCHEDULE



WALL FINISH

CODE	IMAGE	DESCRIPTION	PRODUCT DETAILS
WF01		GROUND SMOOTH AND COMPLETE WITH DARK GREY INTERIOR PAINT FINISH	PRODUCT NAME: NIPPON INTERIOR PAINT - BLACK MAGIC (SATIN FINISH) PRODUCT CODE: NP N 1988A
WF02		LIGHT GREY TITANIUM WALL COATING FINISH	PRODUCT NAME: GB COATINGS - TITANIUM WALL FINISH (LIGHT GREY) - SEMI POLISHED FINISH SUPPLIER: GB COATING (SRI LANKA) CONTACT: +94773062477
WF04		GROUND SMOOTH AND COMPLETE WITH WHITE INTERIOR PAINT FINISH	PRODUCT NAME: NIPPON INTERIOR PAINT - REMEMBRANCE (EASY WASH SATIN FINISH) PRODUCT CODE: NP OW 1053P
FB01		ACOUSTIC WALL FABRIC	PRODUCT NAME: ACOUSTIC WALL FABRIC COVERING - LIGHT GREY PRODUCT CODE: -
WF05		GROUND SMOOTH AND COMPLETE WITH LIGHT BEIGE GREY INTERIOR PAINT FINISH	PRODUCT NAME: NIPPON INTERIOR PAINT - SOLITUDE (EASY WASH SATIN FINISH) PRODUCT CODE: 5035



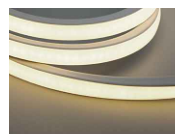


FLOOR FINISH

CODE	IMAGE	DESCRIPTION	PRODUCT DETAILS
FF01		LAMINATE FLOORING	PRODUCT NAME: 1380X190 LAMINATE FLOORING - QUICKSTEP COLOUR: SOFT OAK GREY CODE: IMPRESSIVE IM3558 SUPPLIER: ESSENTIA
FF03		LAMINATE FLOORING	PRODUCT NAME: 1380X190 LAMINATE FLOORING - QUICKSTEP COLOUR: BURNED PLANKS CODE: IMPRESSIVE IM1862 SUPPLIER: ESSENTIA
FF04		CARPET TILE	PRODUCT NAME: BEVEL HEXAGON CARPET TILE COLOUR: CHARCOAL CODE: 5595 SUPPLIER: SHAW CONTRACT

SANITARYWARE SCHEDULE

CODE	IMAGE	DESCRIPTION	PRODUCT DETAILS
TX1		COUNTERTOP CERAMIC WASH BASIN - WHITE (FOR PEDICURE STATION)	PRODUCT NAME: COUNTERTOP CERAMIC SQUARE WASH BASIN QUANTITY: 1 FINISH: GLOSS WHITE
TX2		WASH BASIN TALL TAP (FOR PEDICURE STATION)	PRODUCT NAME: WASH BASIN TALL TAP - BRUSHED FINISH QUANTITY: 1 PCS FINISH: CHROME

LIGHTS

CODE	IMAGE	DESCRIPTION	PRODUCT DETAILS
PL01		PENDANT LIGHT INDUSTRIAL (BLACK CASING)	PRODUCT NAME: LED 18 WATT PENDANT LIGHT (WARM WHITE) SUPPLIER: LUMIERE
TR01		TRACK LIGHT (BLACK CASING)	PRODUCT NAME: LED 8W TRACK LIGHT 3 HEAD (WARM WHITE) SUPPLIER: LUMIERE
STL01		LED LIGHT STRIP	PRODUCT NAME: LED 12W LIGHT STRIP WITH DIFFUSER (WARM WHITE) SUPPLIER: LUMIERE
STL02		LED LIGHT STRIP	PRODUCT NAME: LED 6W LIGHT STRIP WITH DIFFUSER (NEON ICE BLUE) SUPPLIER:
RL02		RECESSED LIGHT	PRODUCT NAME: LED 6W RECESSED LIGHT (WARM WHITE) SUPPLIER: LUMIERE

OTHER

CODE	IMAGE	DESCRIPTION	PRODUCT DETAILS
QZ01		BLACK QUARTZ	PRODUCT NAME: 18MM THK PLAIN BLACK QUARTZ SUPPLIER: SCOPE
QZ02		WHITE QUARTZ	PRODUCT NAME: 18MM THK PLAIN WHITE QUARTZ SUPPLIER: SCOPE
LM02		LAMINATE FINISH	PRODUCT NAME: 4FT X 8FT LAMITAK SHEET - WITH EDGE BANDING CODE: IBIZA NOGAL - WY 1244D SUPPLIER: SONEE HARDWARE
LM03		LAMINATE FINISH	PRODUCT NAME: 4FT X 8FT LAMITAK SHEET - WITH EDGE BANDING CODE: DESIGNER WHITE - SCA 5101D SUPPLIER: SONEE HARDWARE
LM04		LAMINATE FINISH	PRODUCT NAME: 4FT X 8FT LAMITAK SHEET - WITH EDGE BANDING CODE: HIGH GLOSS BLACK - SHG 1066 SUPPLIER: SONEE HARDWARE

NOTE:

ALL PRODUCTS TO BE THE EXACT PRODUCT AS INDICATED IN THE PRODUCT DETAILS.

ALL PRODUCTS TO BE APPROVED BY CLIENT / CONSULTANT PRIOR TO PURCHASE

PLEASE REFER TO 3D VISUALS FOR ADDITIONAL CLARIFICATION OF THE REQUIRED PRODUCTS

ALL LAMINATE FINISH TO RECEIVE EDGE BANDING OF SAME MATERIAL/COLOUR WHEREVER NEEDED

SME Hub Interior Design
Client: Business Center Corporation (BCC)

Project Number: RZ1178CC	Rev no	By	Date
Date: May, 2022			
Architect: -			
Engineer: -			
Drawn by: Abdulla Aman Mohamed			
Services: -			
Interior: Abdulla Aman Mohamed			



RIYAN PRIVATE LIMITED

t: +9603315049 f: +9603310776
e: info@riyan.com.mv
w: www.riyan.com.mv
3rd floor, H. Azum, Ameenemagu, Male'

Title:

The contents of these drawings remain as a property of Riyan Private Limited. Any use other than those expressly stated is a violation of this copyright

FURNITURE & FINISHING SCHEDULE

FURNITURE

CODE	IMAGE	DESCRIPTION	PRODUCT DETAILS
FX1		SALON CHAIR (W610 X D580 X H850-1020 MM) QTY: 2 PCS	FINISH: PVC LEATHER (LIGHT GREY) CODE: SF2990 SUPPLIER: ZUHAI STAR FIELD DEVELOPMENT CO LTD CONTACT: sfsalonfurniture.en.alibaba.com
FX2		SHAMPOO CHAIR (W660 X D980 X H920 MM) QTY: 1 PCS	FINISH: PVC LEATHER (LIGHT GREY) CODE: SF3903P SUPPLIER: ZUHAI STAR FIELD DEVELOPMENT CO LTD CONTACT: sfsalonfurniture.en.alibaba.com
FX3		SWIVEL HEIGHT ADJUSTABLE STOOL QTY: 18 PCS	FINISH: PU LEATHER (MATT BLACK) CODE: YMBAR-C SUPPLIER: HANGZHOU IMAGE TECHNOLOGY CO LTD CONTACT: jessie@imageindustry-china.com
FX4		ARMCHAIR SEAT QTY: 3 PCS	FINISH: LIGHT GREY FABRIC CODE: SA205 SUPPLIER: HANGZHOU IMAGE TECHNOLOGY CO LTD CONTACT: jessie@imageindustry-china.com
FX5		ARMCHAIR SEAT QTY: 3 PCS	FINISH: DARK GREY FABRIC CODE: SA205 SUPPLIER: HANGZHOU IMAGE TECHNOLOGY CO LTD CONTACT: jessie@imageindustry-china.com
FX6		CINEMA / THEATER CHAIR (ARM CENTER TO CENTER 540MM X D743 X SEAT HT 430 X OVERALL HT 997 MM) QTY: 25 PCS	FINISH: DARK RED FABRIC CODE: LD-8609 SUPPLIER: GUANGZHOU LEADCOM SEATING CO LTD CONTACT: leadcom.en.alibaba.com
FX7		POUF SEAT QTY: 1 PCS	FINISH: LIGHT GREY FABRIC / LEATHER SUPPLIER: HANGZHOU IMAGE TECHNOLOGY CO LTD CONTACT: jessie@imageindustry-china.com
FX8		PEDICURE / RECLINING CHAIR QTY: 1 PCS	FINISH: LIGHT GREY PU LEATHER CODE: HZ-1016B SUPPLIER: Jiangmen Hengzhua Salon & Beauty Equipment Co., Ltd. CONTACT: chinahengzhua.en.alibaba.com
FX9		MANICURE STOOL QTY: 2 PCS	FINISH: LIGHT GREY PU LEATHER CODE: WL-M613G SUPPLIER: Guangzhou Peimeng Beauty & Hairdressing Equipment Co., Ltd. CONTACT: wallybeauty.en.alibaba.com
FX10		MANICURE CHAIR (400X400X470 MM) QTY: 2 PCS	FINISH: LIGHT GREY PU LEATHER CODE: LFBZNY003 SUPPLIER: Chaozhou Loffo Homeware Co., Ltd. CONTACT: loffohomeware.en.alibaba.com

NOTE:

ALL PRODUCTS TO BE THE EXACT PRODUCT AS INDICATED IN THE PRODUCT DETAILS.

ALL PRODUCTS TO BE APPROVED BY CLIENT / CONSULTANT PRIOR TO PURCHASE

ALL DIMENSIONS OF PRODUCTS TO BE CONFIRMED AND CHECKED IN REFERENCE TO SITE CONDITION PRIOR TO PLACING ORDERS

PLEASE REFER TO 3D VISUALS FOR ADDITIONAL CLARIFICATION OF THE REQUIRED PRODUCTS

ALL LAMINATE FINISH TO RECEIVE EDGE BANDING OF SAME MATERIAL/COLOUR WHEREVER NEEDED

SME Hub Interior Design
Client: Business Center Corporation (BCC)

Rev no	By	Date

Project Number: RZ1178CC
Date: May, 2022
Architect: -
Engineer: -
Drawn by: Abdulla Aman Mohamed
Services: -
Interior: Abdulla Aman Mohamed



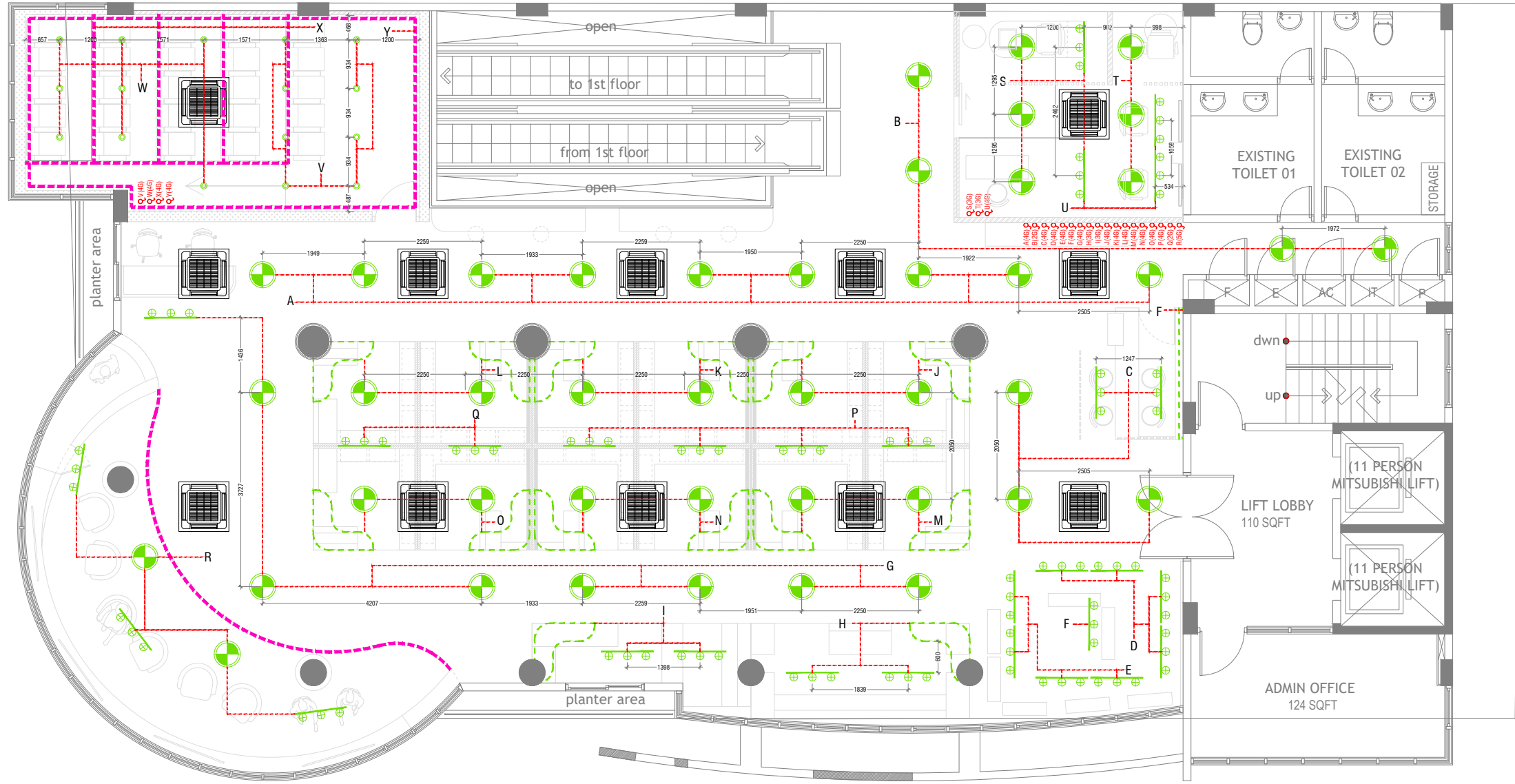
RIYAN PRIVATE LIMITED

t: +9603315049 f: +9603310776
e: info@riyan.com.mv
w: www.riyan.com.mv
3rd floor, H. Azum, Ameenemagu, Male'

Title:

Page: A-31/34

The contents of these drawings remain as a property of Riyan Private Limited. Any use other than those expressly stated is a violation of this copyright



- LEGEND**
- PL1 PENDANT LIGHT LED 18W AT 2400MM HT (WARM WHITE)
 - TR1 TRACK LIGHT LED 8W - 3 HEAD HUNG AT 2400MM HT (WARM WHITE)
 - STL01 LED STRIP LIGHT 12W (WARM WHITE)
 - STL02 LED STRIP LIGHT 6W (NEON BLUE/ICE BLUE)
 - RL2 RECESSED LED 6W LIGHT (WARM WHITE)

- LIGHT SWITCH
- SWITCHING LINE

ALL SWITCH LOCATION AND HEIGHT NEEDS TO BE CONFIRMED BASED ON SITE CONDITION

ACV LAYOUT TO REMAIN AS EXISTING AT SITE - POSITION TO BE ADJUSTED IF NEEDED, WITH PIPES RUN THROUGH BLACK ALUMINIUM CABLE TRAYS

CONDUITS TO BE LAID BASED ON SITE CONDITIONS

ADDITIONAL LED STRIP DETAILS IN DETAIL DRAWINGS

SECOND FLOOR - LIGHTING LAYOUT
SCALE 1:100

SME Hub Interior Design
Client: Business Center Corporation (BCC)

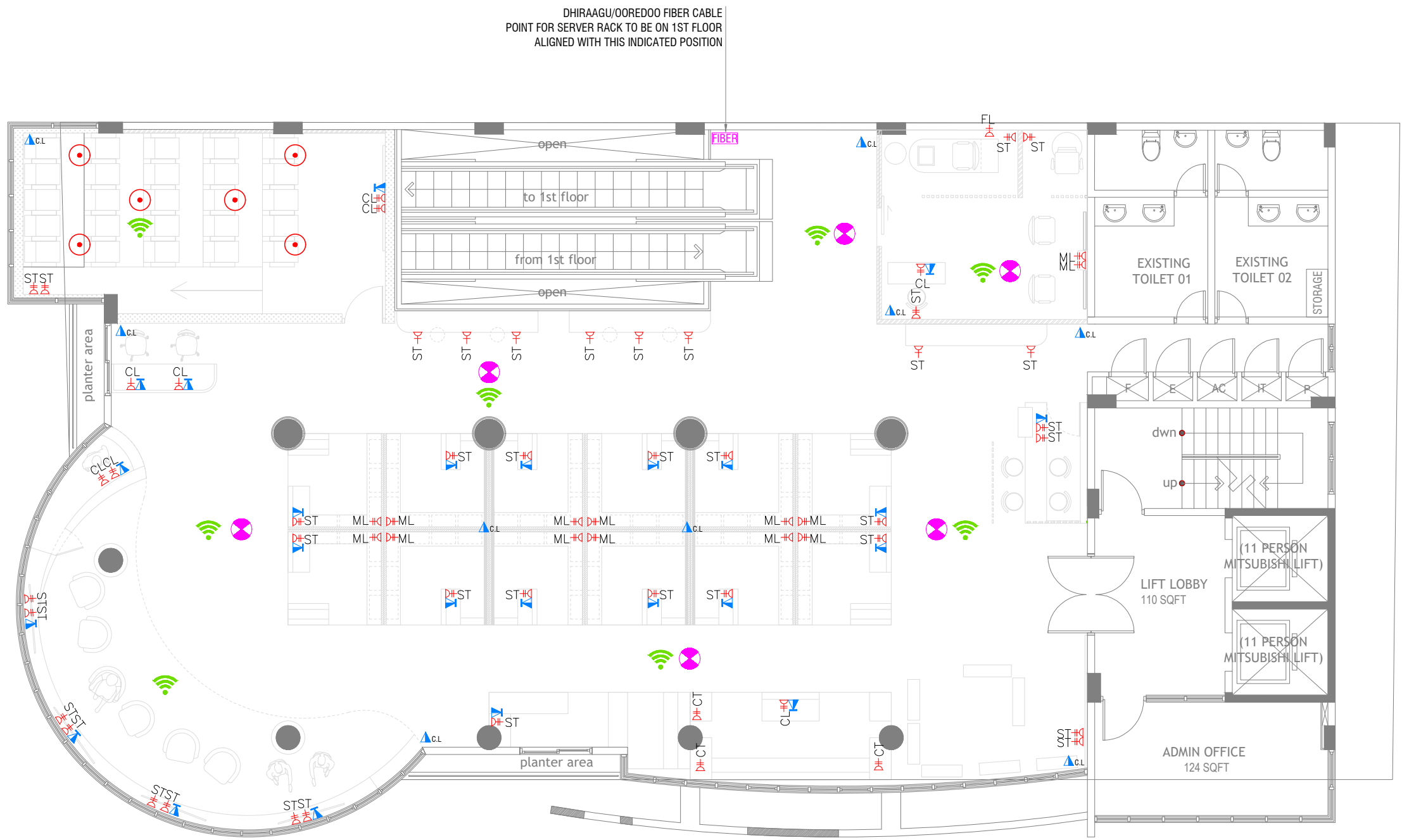
Project Number: R2117BCC
Date: May, 2022
Architect: -
Engineer: -
Drawn by: Abdulla Aman Mohamed
Services: -
Interior: Abdulla Aman Mohamed

Rev no	By	Date

RIYAN PRIVATE LIMITED

t: +9603315049 f: +9603310776
e: info@riyan.com.mv
w: www.riyan.com.mv
3rd floor, H. Azum, Ameenemagau, Male'

The contents of these drawings remain as a property of Riyan Private Limited. Any use other than those expressly stated is a violation of this copyright



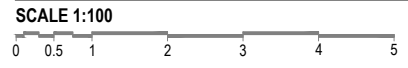
DHIRAAGU/OOREDOO FIBER CABLE
POINT FOR SERVER RACK TO BE ON 1ST FLOOR
ALIGNED WITH THIS INDICATED POSITION

LEGEND

- 13A POWER OUTLET
- 13A TWIN SOCKET OUTLET
- DISTRIBUTION BOX
- HL HIGH LEVEL
- ST SEAT LEVEL (300MM)
- ML MID LEVEL (600MM)
- CL COUNTER LEVEL (900MM)
- CT COUNTERTOP
- FL FLOOR LEVEL
- NETWORK OUTLET
- TWIN NETWORK OUTLET
- NETWORK OUTLET AT CEILING LEVEL FOR CCTV
- WIFI POINTS AT CEILING LEVEL
- CEILING SPEAKER POINT AT CEILING LEVEL
- THEATRE CEILING SPEAKER POINT AT CEILING LEVEL

-ALL IT AND POWER CABLES TO BE CARRIED VIA BLACK ALUMINIUM CABLE TRAYS / THROUGH SCREED (BASED ON SITE CONDITIONS).
- COUNTERTOPS TO HAVE CUTOUT HOLES FOR CABLE TO PASS THROUGH WHERE APPLICABLE.

SECOND FLOOR - POWER LAYOUT



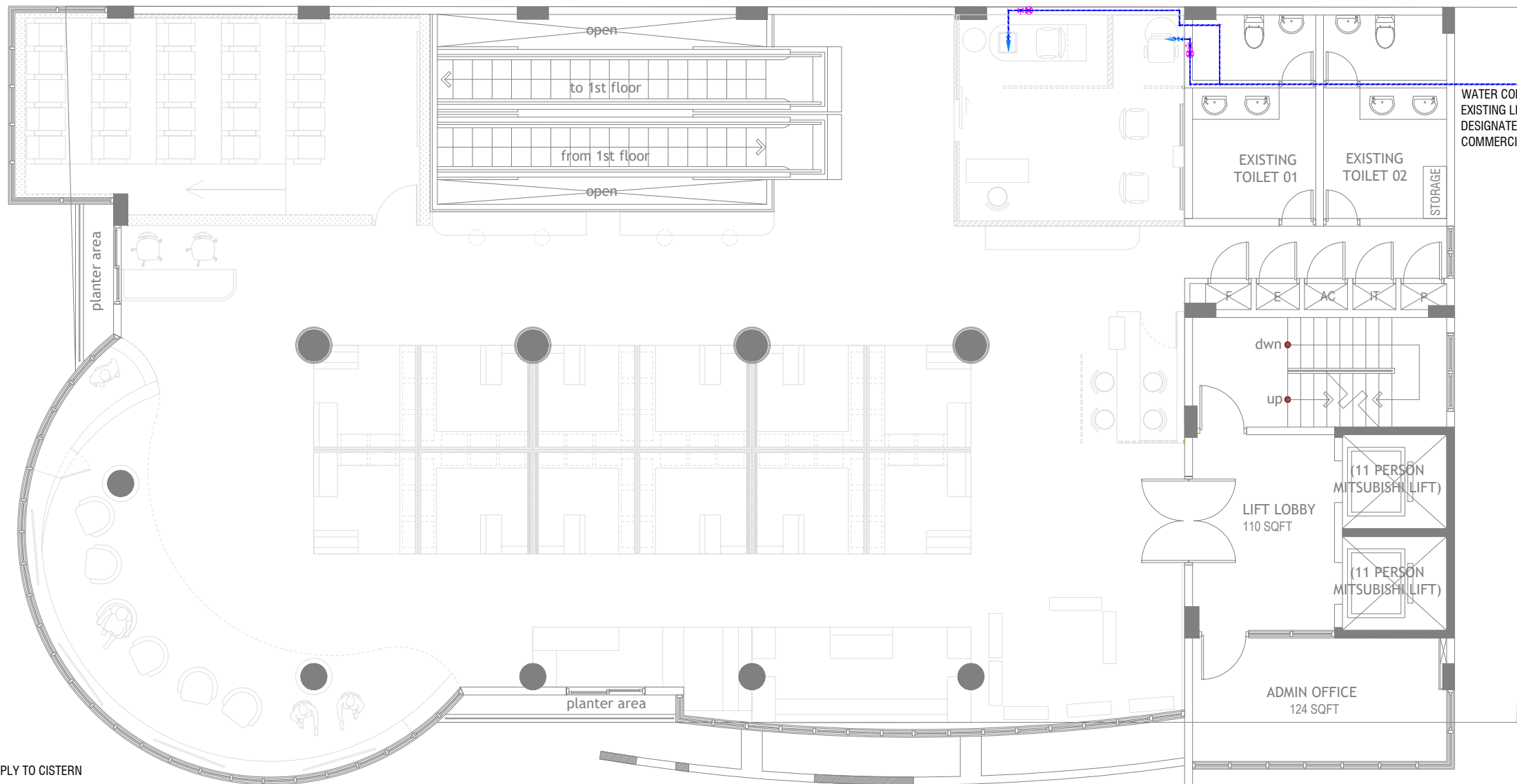
SME Hub Interior Design
Client: Business Center Corporation (BCC)

Rev no	By	Date










Project Number: R2117BCC
Date: May, 2022
Architect: -
Engineer: - Abdulla Aman Mohamed
Services: - Abdulla Aman Mohamed
Interior: - Abdulla Aman Mohamed

RIYAN PRIVATE LIMITED
t: +9603315049 f: +9603310776
e: info@riyan.com.mv
w: www.riyan.com.mv
3rd floor, H. Azum, Ameenemagu, Male'

The contents of these drawings remain as a property of Riyan Private Limited. Any use other than those expressly stated is a violation of this copyright.



LEGEND

-  16 Ø COLD WATER SUPPLY TO CISTERN
-  16 Ø COLD WATER SUPPLY TO BIDET SHOWER
-  16 Ø COLD WATER SUPPLY TO BASIN FAUCET / SINK
-  16 Ø COLD WATER SUPPLY TO WALL TAP
-  GV GATE VALVE
-  25 Ø COLD WATER SUPPLY PIPES RUN UNDERGROUND
-  25 Ø COLD WATER SUPPLY PIPES RUN IN WALL / UNDER FALSE CEILING
-  RISE IN WALL
-  DROP IN WALL
- CWS** COLD WATER SUPPLY
- HWS** HOT WATER SUPPLY

THE PIPE CONNECTION MIGHT VARY BASED ON THE SITE CONDITIONS.

SINK DRAIN CONNECTED TO NEAREST EXISTING WASTE PIPE OR NEAREST RAINWATER DOWN PIPE

SECOND FLOOR - PLUMBING LAYOUT

SCALE 1:100



SME Hub Interior Design
Client: Business Center Corporation (BCC)

Rev no	By	Date

Project Number: R2117BCC
Date: May, 2022
Architect: -
Engineer: -
Drawn by: Abdulla Aman Mohamed
Services: -
Interior: Abdulla Aman Mohamed



RIYAN PRIVATE LIMITED

t: +9603315049 f: +9603310776
e: info@riyan.com.mv
w: www.riyan.com.mv
3rd floor, H. Azum, Ameenemagu, Male'

Title: