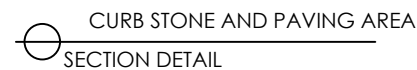
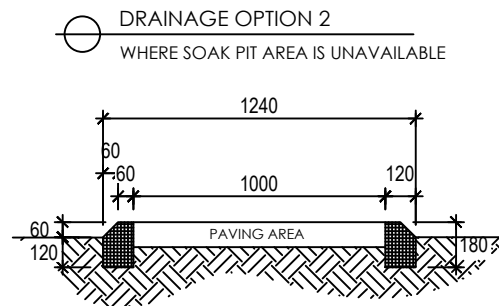
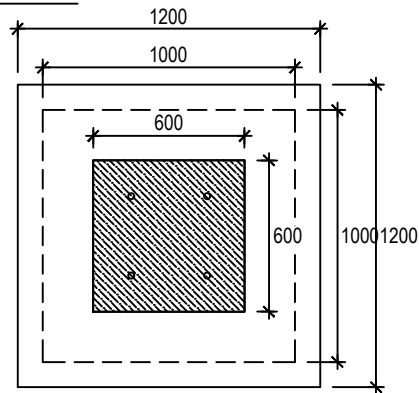
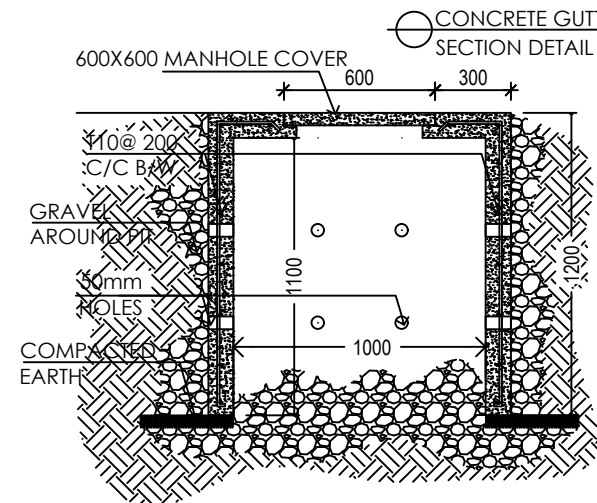
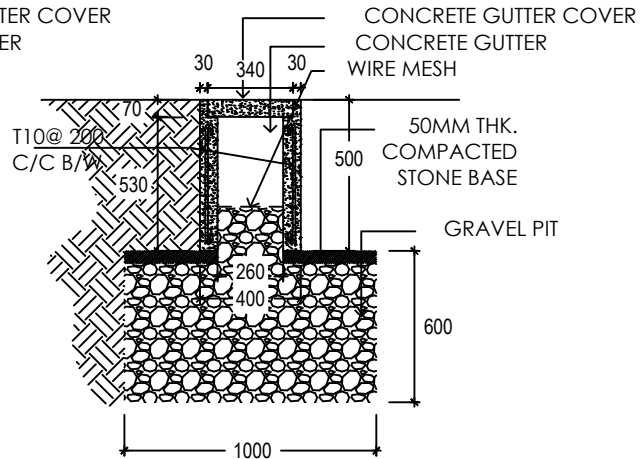
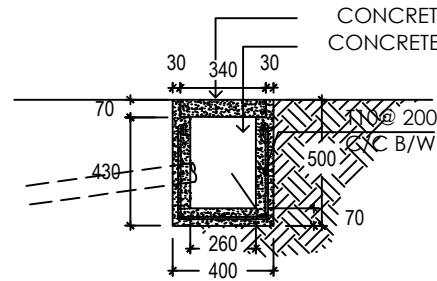
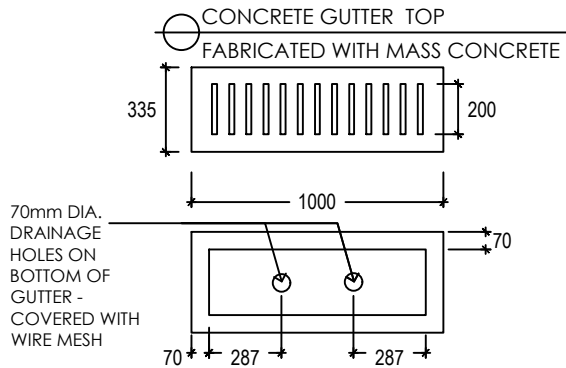
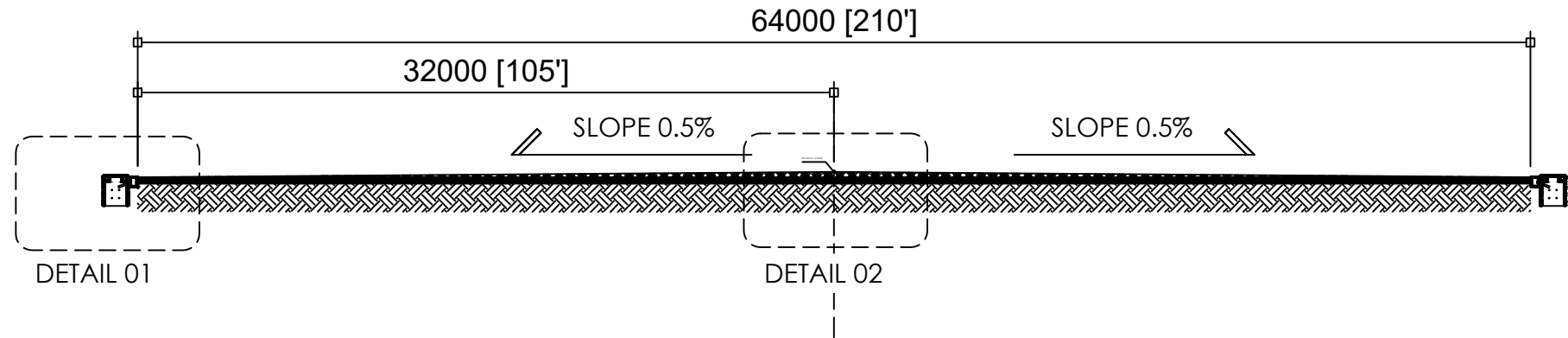


○ STANDARD ARTIFICIAL TURF FULL PITCH PLAN



CLIENT:  
MINISTRY OF YOUTH AND SPORTS

PROJECT:

AT FULL PITCH

DRAWN BY:  
MS

SCALE:  
AS GIVEN

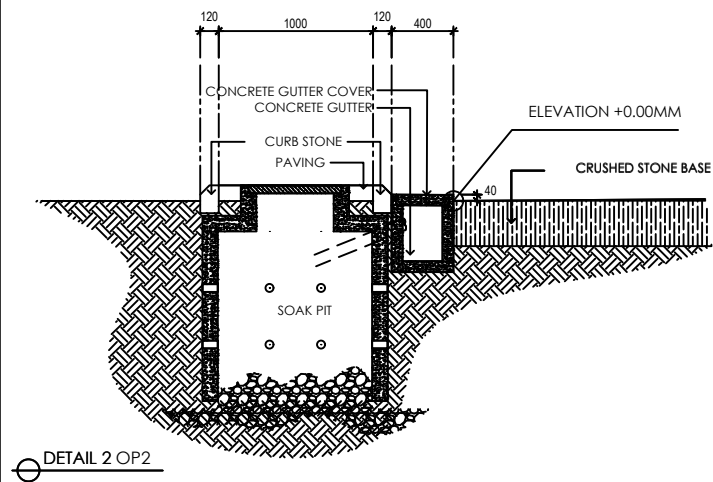
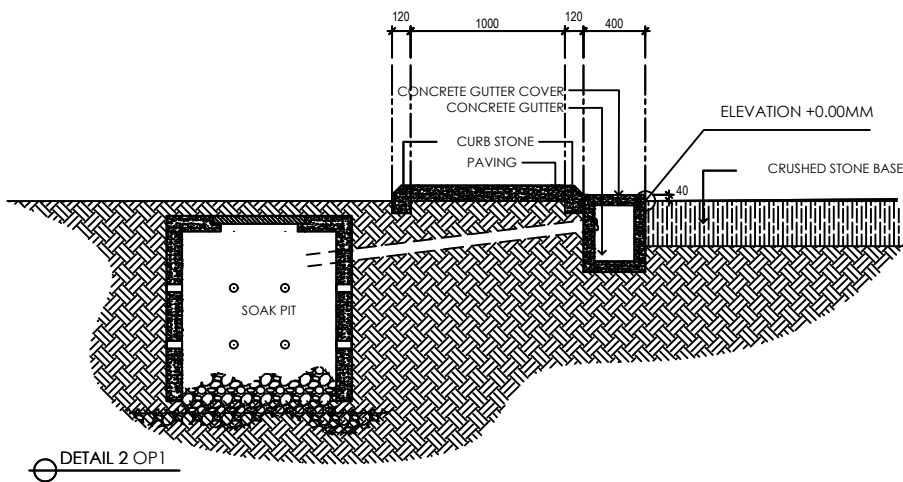
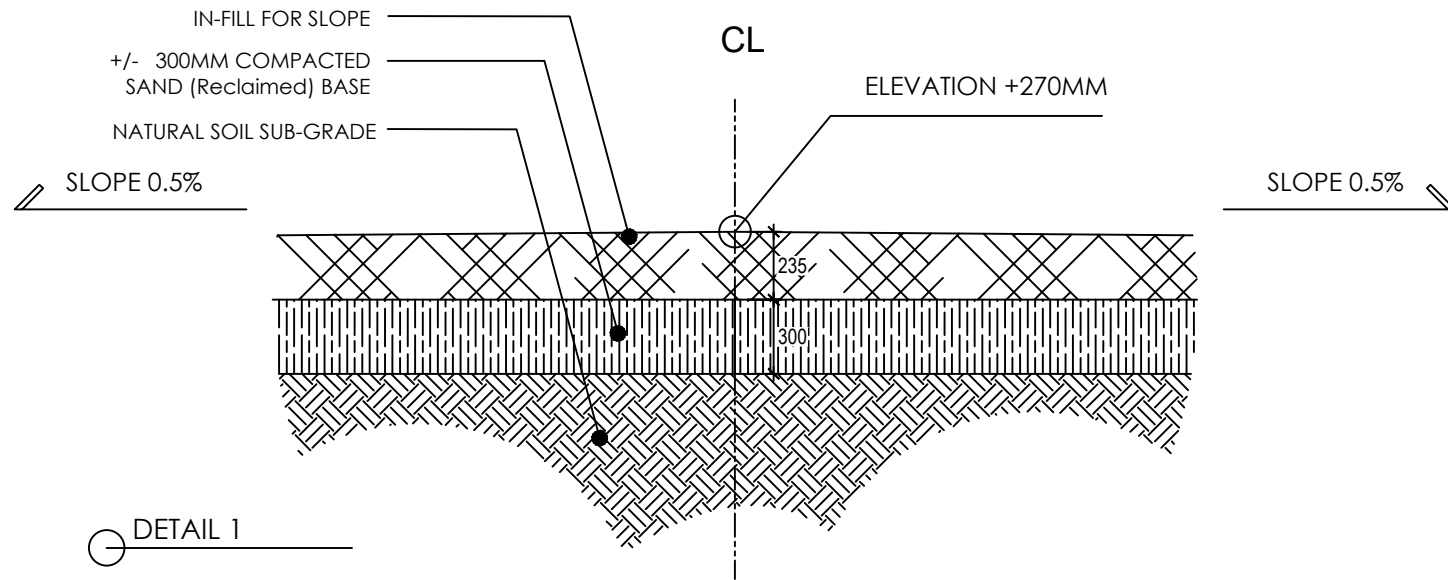
DATE:  
NOV 2019

PAGE NO.:  
01 / 01

COMMENTS :

DO NOT MEASURE FROM THE DRAWING. FOLLOW DIMENSIONS GIVEN.





CLIENT:  
MINISTRY OF YOUTH AND SPORTS

PROJECT:

AT FULL PITCH

DRAWN BY:  
MS

SCALE:  
AS GIVEN

DATE:  
NOV 2019

PAGE NO.:  
01 / 01

COMMENTS:

DO NOT MEASURE FROM THE DRAWING. FOLLOW DIMENSIONS GIVEN.

