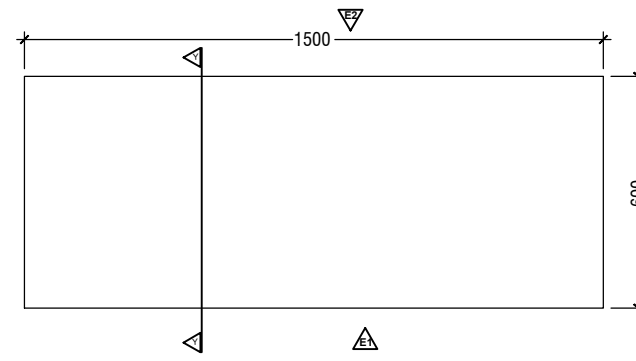
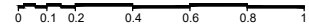
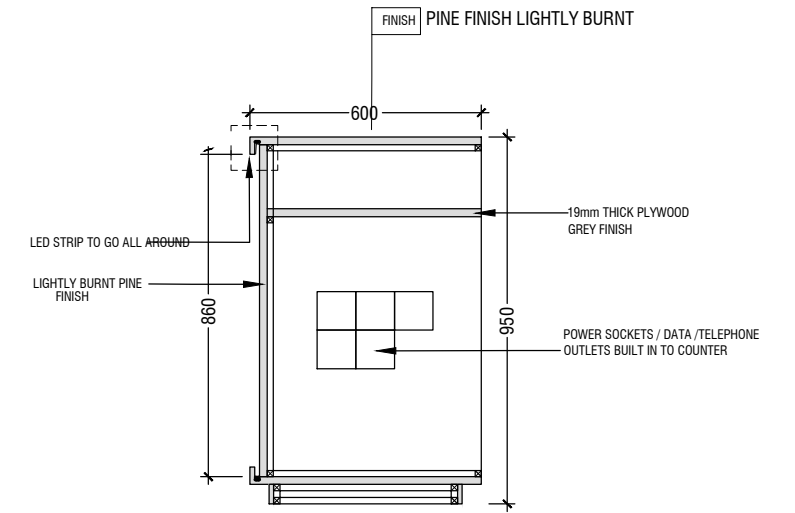
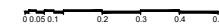


**TOTE BAG WALL**

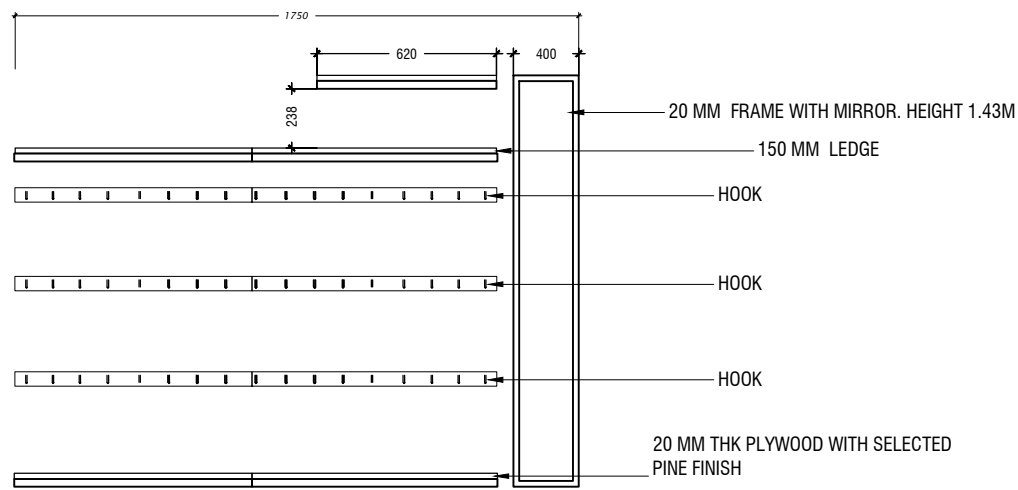
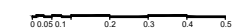
SCALE 1:20



CASH COUNTER - PLAN

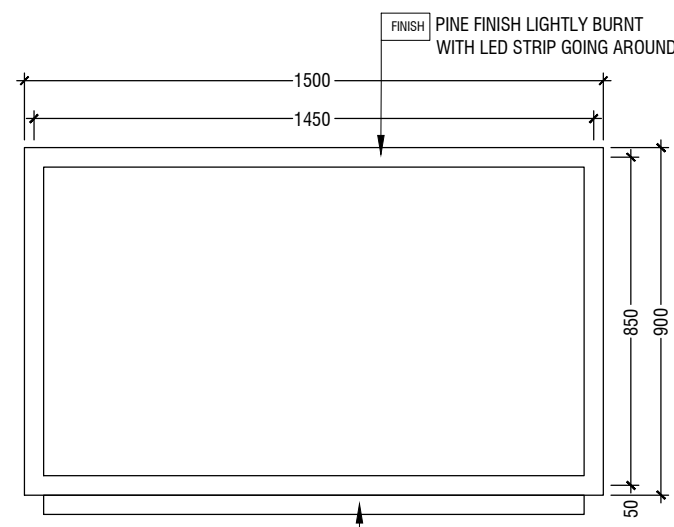
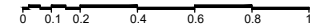


CASH COUNTER - SECTION Y-Y

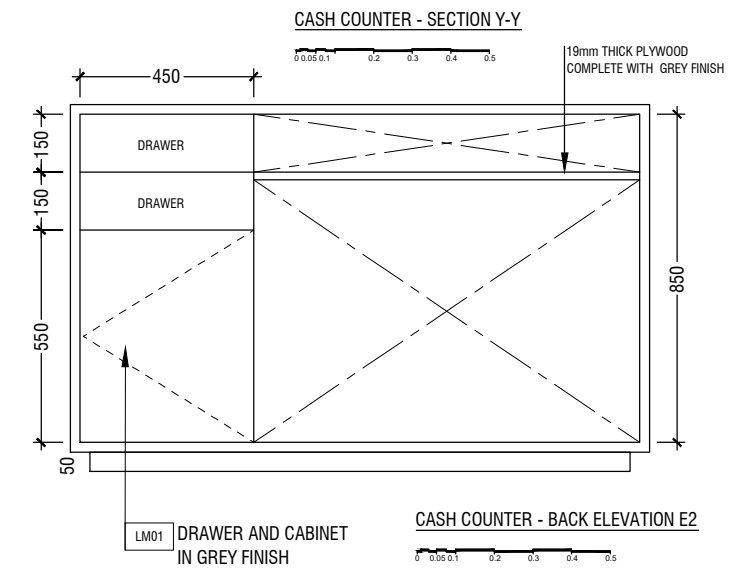
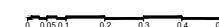


**JEWELLERY BOARD**

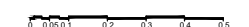
SCALE 1:20



CASH COUNTER - FRONT ELEVATION E1



CASH COUNTER - BACK ELEVATION E2



PROJECT NAME	DRAWING TITLE	NOTE	PAGE NO
GAN	TOTE WALL	DO NOT SCALE ALL DIMENSIONS SHALL BE VERIFIED ON SITE BY THE CONTRACTOR.  ANY DISCREPANCIES SHALL BE MADE KNOWN TO THE DESIGNER FOR DECISION BEFORE PROCEEDING WITH THE WORK.	05
DATE	JEWELRY WALL		
18 JUN 2020	CASH COUNTER		

