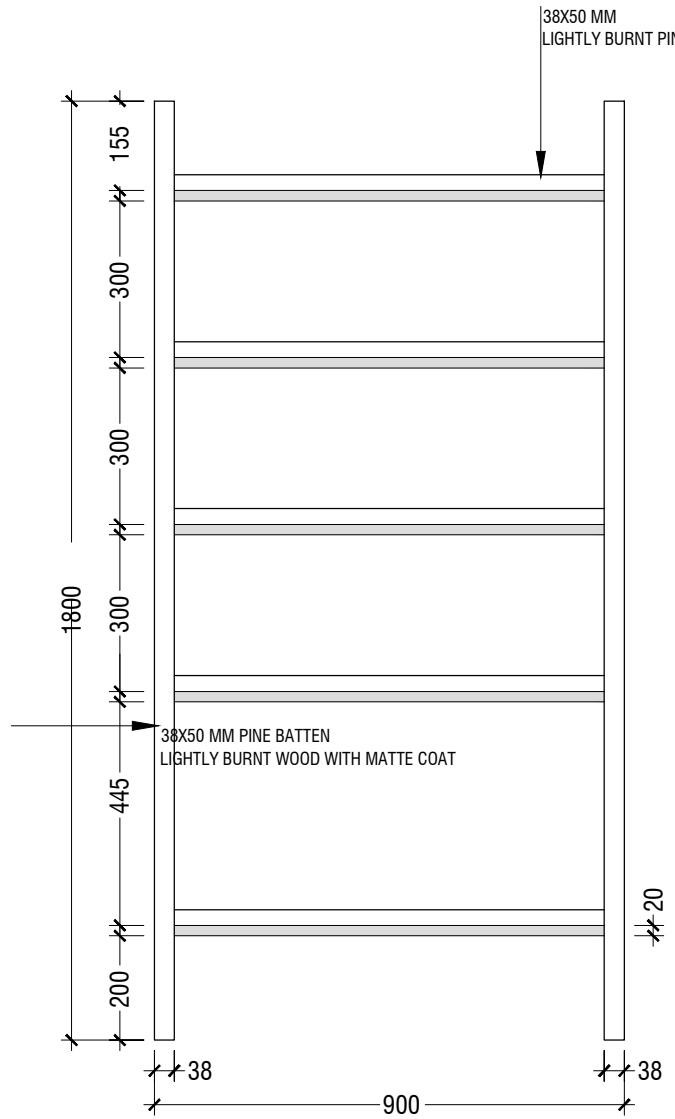


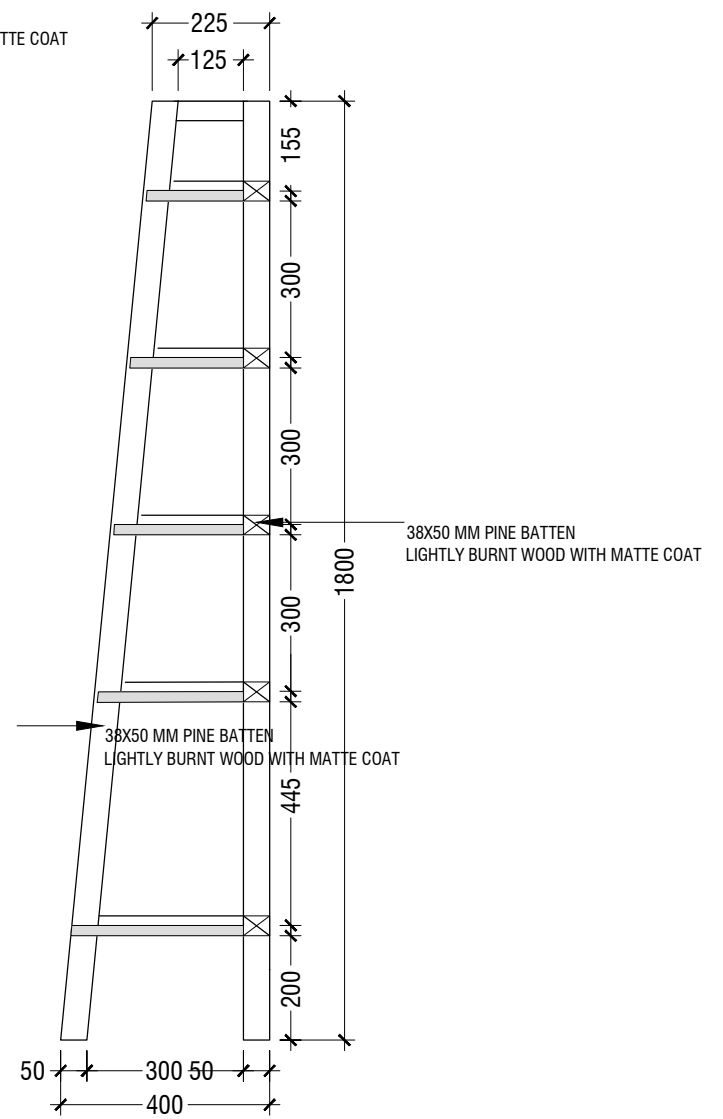
LADDER SHELF TYPE 1 DETAIL - PLAN

SCALE 1:10
0 0.05 0.1 0.2 0.3 0.4 0.5



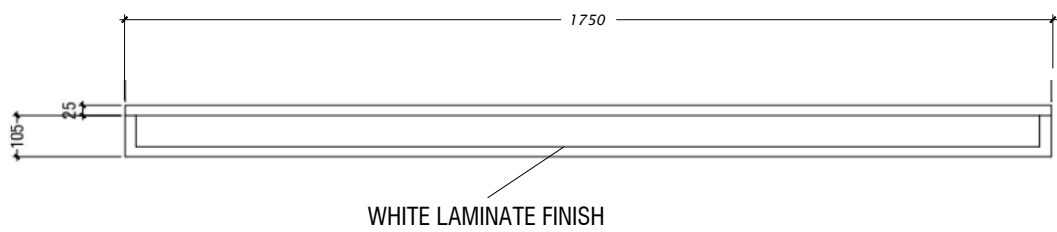
ELEVATION E1

SCALE 1:10
0 0.05 0.1 0.2 0.3 0.4 0.5

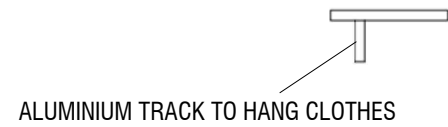


SECTION Y-Y

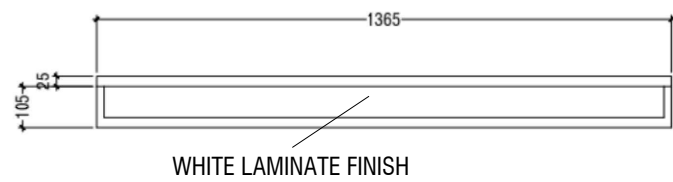
SCALE 1:10
0 0.05 0.1 0.2 0.3 0.4 0.5



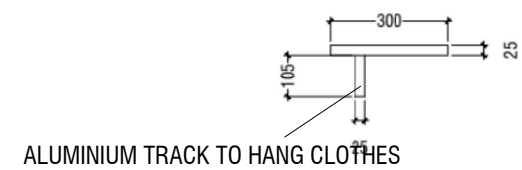
WHITE LAMINATE FINISH



ALUMINIUM TRACK TO HANG CLOTHES




WHITE LAMINATE FINISH



ALUMINIUM TRACK TO HANG CLOTHES

FLOATING SHELF CLOTHES HANGER

SCALE 1:20
0 0.1 0.2 0.4 0.6 0.8 1

	PROJECT NAME	DRAWING TITLE	NOTE	PAGE NO
	GAN	LADDER SHELF	DO NOT SCALE ALL DIMENSIONS SHALL BE VERIFIED ON SITE BY THE CONTRACTOR.	04
	DATE	FLOATING SHELF	ANY DISCREPANCIES SHALL BE MADE KNOWN TO THE DESIGNER FOR DECISION BEFORE PROCEEDING WITH THE WORK.	
	18 JUN 2020	CLOTHES HANGER		