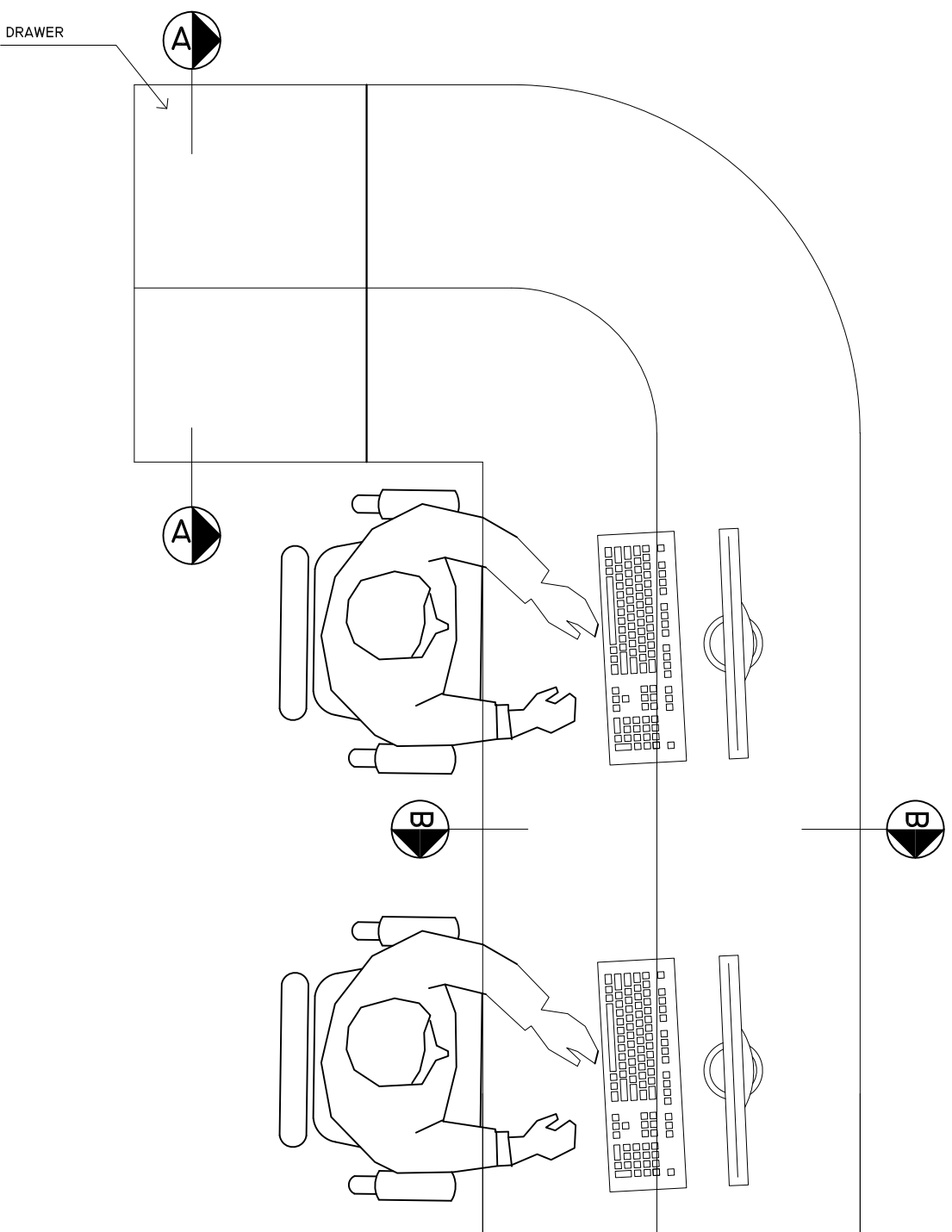


# NURSE STATION PLAN

SCALE: 1 : 10



SHEET CONTENTS :

REVISION NOTES:

PROJECT:  
PROPOSED ER AT ADH,  
MAAMIGILI HEALTH  
CENTER

CLIENT:

MINISTRY OF HEALTH

LOCATION:

ADH. MAAMIGILI

CONTENTS: AS GIVEN

PROJECT MANAGER:

DESIGNER: ARIZ

CIV/STR. ENGINEER:

SURVEYED BY: -

DRAWN BY: ARIZ

CHECKED BY:

DATE: MAY 2019

SHEET NO. : /

