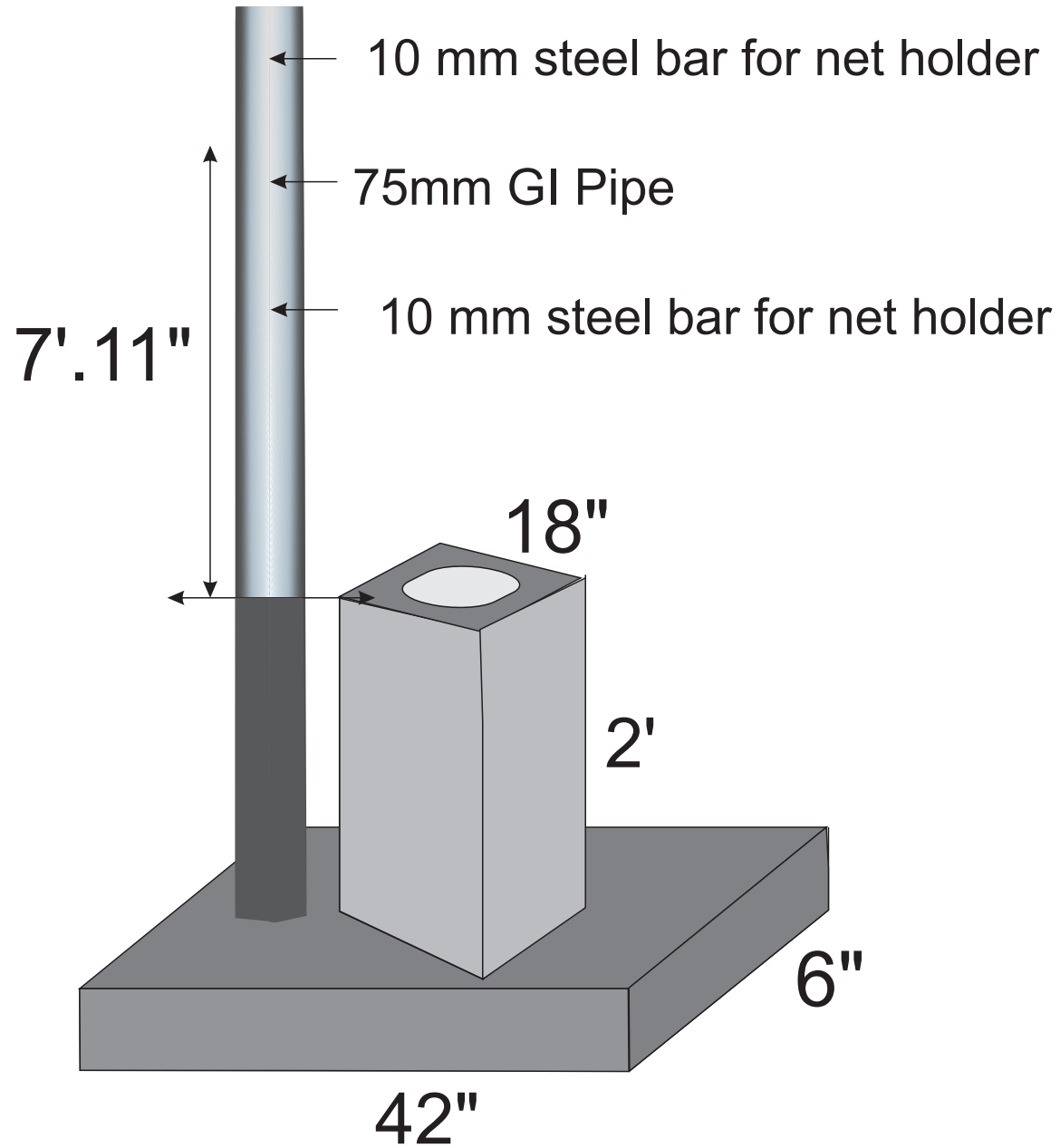
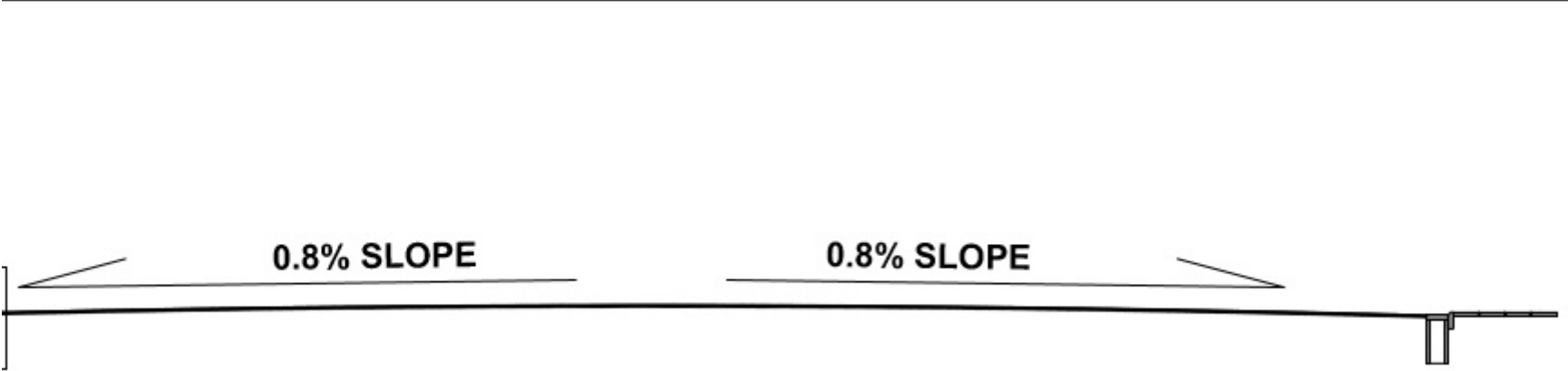


لا يرد في هذا الكتاب
 ما لم يرد في كتابنا
 مؤلفه: 3 ربيع
 1401

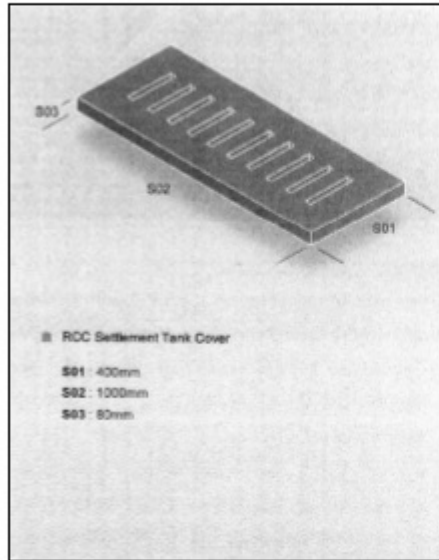
۵۵۰ ۴۰۰ x
۵۵۰ ۴۰۰ x



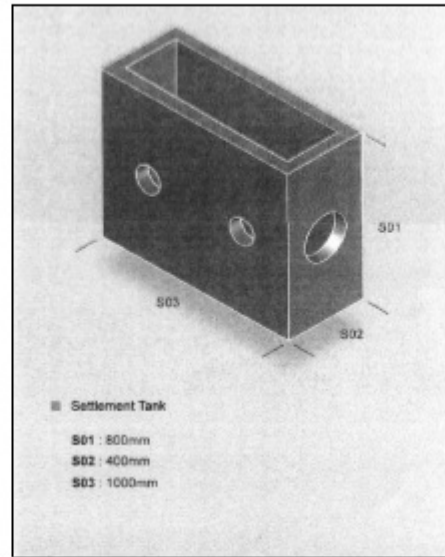
GROUND SLOP LEVEL



SETTLEMENT TANK AND COVER



TYPE: SOLID RCC SETTLEMENT TANK
SIZE: 1000MMX400MMX800MM AND 60MM THICKNESS
COMPOSITION: CEMENT, RIVER SAND, AGGREGATES
RATIO: 1:2:3
STRENGTH: AVERAGE 13.6N/MM²

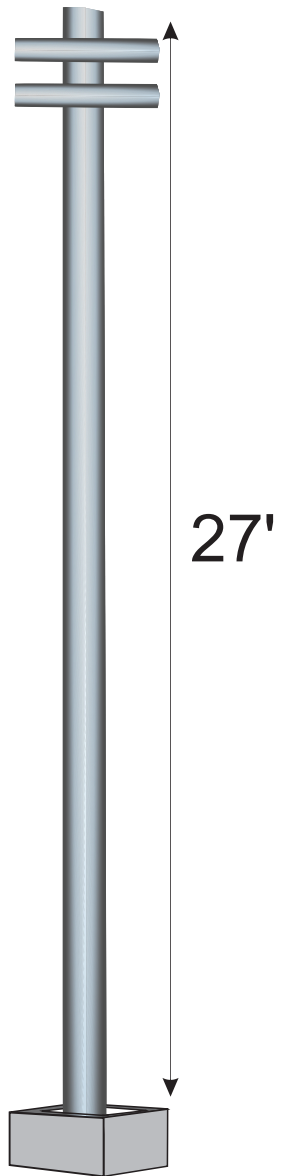


TYPE: PCC SETTLEMENT TANK COVER
SIZE: 1000MMX400MM AND 80MM THICKNESS
COMPOSITION: CEMENT, RIVER SAND, AGGREGATES
RATIO: 1:2:3
REINFORCEMENT: SINGLE NET WITH Ø10MM BAR
STRENGTH: AVERAGE 19N/MM²

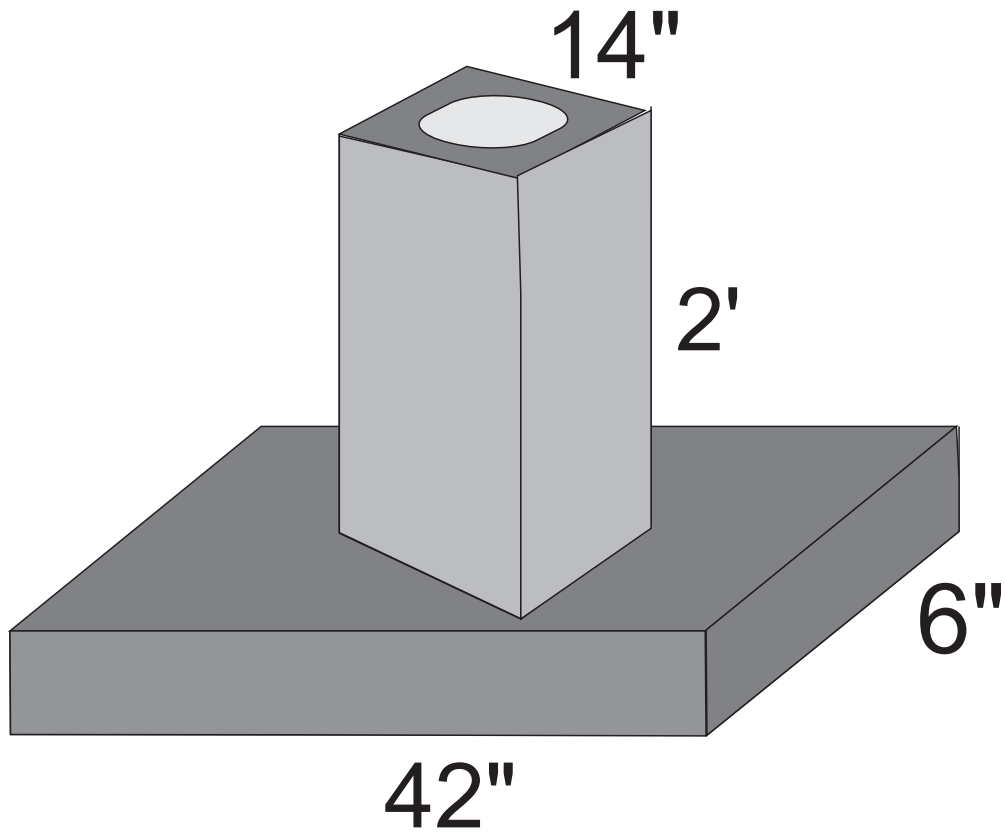
DETAILS - SETTLEMENT TANK & COVER

Scale 1:20

خارج جرس



20 500 x
20 500 19
11



00 000 2
75 70 2 7 7

