

PROPOSED DRAWING FOR NETBALL ROSTRUM  
ARCHITECTURAL AND STRUCTURAL DRAWINGS

2022.09.08

SIARCH  
PRIVATE LIMITED  
LONUZIYAARAY MAGU, MALE', 20075, MALDIVES  
EMAIL: INFO@SIARCH.DESIGN  
HTTP://WWW.SIARCH.DESIGN

# PROPOSED DRAWING FOR NETBALL ROSTRUM

## DRAWING INDEX

PROJECT CODE: COM66a  
 CLIENT: MINISTRY OF YOUTH, SPORTS & COMMUNITY EMPOWERMENT  
 BUILDING: NETBALL ROSTRUM  
 BUILDING CODE: NBR  
 DWG FILE NAME: COM-66a-NBR

BLDG.CODE.	DISC.	NO.	FILE NAME.(DWG)	DRAWING TITLE		SCALE	FORMAT	DATE
				PRIMARY	SECONDARY			
COM-66a	AR	00	COM-66a_NBR-AR00_A	DRAWING INDEX		-	A3	08TH SEPTEMBER 2022
COM-66a	AR	01	COM-66a_NBR-AR01_A	GENERAL NOTE		NTS	A3	08TH SEPTEMBER 2022
COM-66a	AR	02	COM-66a_NBR-AR02_A	GROUND FLOOR LAYOUT AND SEATING LAYOUT		1:100	A3	08TH SEPTEMBER 2022
COM-66a	AR	03	COM-66a_NBR-AR03_A	SECTION X-X/Y-Y AND DETAIL-1		1:100/1:20	A3	08TH SEPTEMBER 2022
COM-66a	AR	04	COM-66a_NBR-AR04_A	ELEVATION E1-E2		1:100	A3	08TH SEPTEMBER 2022
COM-66a	AR	05	COM-66a_NBR-AR05_A	ELEVATION E3-E4		1:100	A3	08TH SEPTEMBER 2022
COM-66a	AR	06	COM-66a_NBR-AR06_A	DOOR AND WINDOW SCHEDULE-1		1:50	A3	08TH SEPTEMBER 2022
COM-66a	AR	07	COM-66a_NBR-AR07_A	TYPICAL STAIRCASE DETAIL		1:50 / 1:20 / 1:5	A3	08TH SEPTEMBER 2022
COM-66a	ST	01	COM-66a_NBR-ST01_A	FOUNDATION AND COLUMN LAYOUT		1:100/1:20	A3	08TH SEPTEMBER 2022
COM-66a	ST	02	COM-66a_NBR-ST02_A	GROUND SLAB LAYOUT		1:100/1:20	A3	08TH SEPTEMBER 2022
COM-66a	ST	03	COM-66a_NBR-ST03_A	SEATING AREA BEAM PLAN & DETAILS		1:100	A3	08TH SEPTEMBER 2022

CLIENT: MINSITRY OF YOUTH  
SPORTS AND COM,  
EMPOWERMENT



KEY PLAN:

WARNING:

- This drawing shall not be used for construction unless certified.
- Contractor to verify all dimensions of existing works on site before commencing any work or preparing shop drawings.
- Do not scale drawings, use written dimensions only.
- This drawing is to be read in conjunction with the specifications and conditions of contract.
- This drawing and design is copyright and no portion may be reproduced without the permission of the Consultant

REVISIONS		
NO	DESCRIPTION	DATE

PROJECT:  
NETBALL ROSTRUM

PHASE:  
 CONCEPT DESIGN  
 DESIGN DEVELOPMENT  
 TENDER DOCUMENT  
 FOR CONSTRUCTION  
 AS BUILD DRAWINGS

DESIGNATION	NAME	SIGNATURE
DESIGNED BY	SIARCH.PVT.LTD	
ARCHITECT	ALI ZAMEER	
STR. ENGINEER	ALI NISHAM	
CHECKED	MOHAMED SIRAJ	
DRAWN	SANKA SUMEDHA	

DWG. NAME:  
ARCHITECTURAL

DRAWING INDEX

CODE	DATE	DWG. NO:
RSD-202	08.09.2022	AR00
FORMAT	A1 A2 A3	
SCALE	- - m/s	ISSUE A
PDF FILE NAME: COM-66a-NBR_AR00_A		

# GENERAL NOTES

## GENERAL:

- ALL STRUCTURAL DRAWINGS SHALL BE READ IN CONJUNCTION WITH ALL ARCHITECTURAL AND SERVICE DRAWINGS, SPECIFICATIONS AND WRITTEN INSTRUCTIONS IF ISSUED DURING THE COURSE OF THE CONTRACT. ALL DISCREPANCIES SHALL BE REFERRED FOR DECISION BEFORE PROCEEDING WITH THE WORK.
- THE DRAWINGS SHALL NOT BE SCALED. ALL DIMENSIONS RELEVANT TO SETTING OUT AND OFF-SITE SHALL BE VERIFIED BY THE CONTRACTOR BEFORE CONSTRUCTION AND FABRICATION IS COMMENCED.
- DURING THE CONSTRUCTION PERIOD THE CONTRACTOR SHALL BE RESPONSIBLE TO MAINTAIN THE STABILITY OF STRUCTURE AND ENSURE THAT NO STRUCTURAL ELEMENT BE OVERSTRESSED UNDER CONSTRUCTION ACTIVITIES.
- WORKMANSHIP AND MATERIALS SHALL BE IN ACCORDANCE WITH THE RELEVANT RECENT BS CODES OR OTHER ACCETABLE STANDARDS.
- BASED ON THE DRAWINGS AND SPECIFICATIONS THE CONTRACTOR SHALL PRODUCE STRUCTURAL SHOP DRAWINGS FOR APPROVAL IF REQUESTED.
- ALL DIMENSIONS TO STRUCTURAL DRAWINGS ARE IN MILLIMETERS UNLESS STATED OTHERWISE. ALL LEVELS ARE EXPRESSED IN METRES.
- THE REINFORCED CONCRETE DESIGN IS BASED ON BS 8110 ' STRUCTURAL USE OF CONCRETE'
- REFER TO STANDARD AND TYPICAL DETAILS AS SHOWN IN THE TYPICAL DRAWINGS FOR DETAILS NOT SHOWN SPECIFICALLY.
- ALL PROPS AND FORMWORK FOR BEAMS AND SLABS SHALL BE REMOVED BEFORE CONSTRUCTION OF ANY MASONRY WALLS OR OTHER PERMANENT LOADING ON THE SLAB.
- ALL NON-LOAD BEARING WALLS SHALL BE KEPT CLEAR OFF THE UNDERSIDE OF SLABS AND BEAMS BY 30mm. THE JOINT SHALL BE FILLED WITH FIBRE BOARD OR COMPRESSIBLE MATERIAL PRESSED METAL COVERING BOTH SIDES OF THE JOINT, AND THE METAL COVERING SHALL BE FIXED TO SOFFIT OF THE BEAM OR SLAB AS THE CASE MAY BE.

## FOUNDATIONS:

- ALL FOUNDATIONS HAS BEEN DESIGNED FOR SAFE GROUND PRESSURE OF 150 KN/m<sup>2</sup>
- ALL FOOTINGS SHALL BE PLACED MINIMUM 1.2m BELOW THE NATURAL GROUND LEVEL UNLESS STATED OTHERWISE
- ALL BACKFILL SHOULD BE DONE WITH APPROVED MATERIAL AND SOURCE. ALL BACKFILL SHOULD BE STRUCTURAL FILL, COMPACTED IN LAYERS AS SPECIFIED.
- WEAK POCKETS FOUND BELOW THE ASSUMED FOUNDATION LEVELS SHALL BE REMOVED AND REPLACED BY PLAIN CONCRETE.
- IN CASE OF EXCAVATIONS BELOW THE ASSUMED LEVEL OF THE FOOTING, THE SOIL SHALL BE REPLACED BY PLAIN CONCRETE.
- IN CASE GROUND WATER IS PRESENT ABOVE FOUNDATION LEVEL, THE CONTRACTOR SHALL BE RESPONSIBLE FOR DEWATERING THE SITE, AND LOVERING THE GROUND WATER TO AT LEAST 70cm BELOW LEVEL OF FOUNDATIONS.
- THE CONTRACTOR SHALL MAINTAIN DRY WORKING CONDITIONS THROUGHOUT THE CONSTRUCTION PERIOD. RESTORING WATER TABLE CAN BE DONE AFTER BACKFILLING AND COMPACTION UP TO THE SLAB ON GRADE LEVEL, OR AS DIRECTED BY THE ENGINEER.
- NO BACKFILLING SHALL BE PLACED AGAINST WALLS RETAINING EARTH, UNLESS THE WALLS ACHIEVE SUFFICIENT STRENGTH TO PREVENT MOVEMENT OR STRUCTURAL DAMAGE.
- UNLESS OTHERWISE SHOWN ALL FOOTINGS ARE CONCETRIC TO COLUMNS.

## CONCRETE:

- ALL INSITU STRUCTURAL CONCRETE SHALL HAVE MINIMUM 28 DAYS CUBE STRENGTH OF 25 N/mm<sup>2</sup> TO THE RELEVANT CLAUSES OF BS5328.
  - ALL PLAIN CONCRETE (OR BLINDING) SHALL HAVE MINIMUM 28 DAYS CUBE STRENGTH OF 15 N/mm<sup>2</sup> (EQUIVALENT CYLINDER STRENGTH, FC = 12 N/mm<sup>2</sup>), TO THE RELEVANT CLAUSES OF BS538.
- NO OPENINGS, HOLES, CHASES OR EMBEDMENT OF PIPES OTHER THAN THOSE IN THE STRUCTURAL DRAWINGS SHALL BE MADE IN CONCRETE MEMBERS WITHOUT PRIOR APPROVAL
- CONSTRUCTION AND EXPANSION JOINTS SHALL BE PROPERLY FORMED AND USED ONLY WHERE SHOWN OR SPECIFICALLY APPROVED.
- NO ELECTRICAL CONDUIT AND PIPES ARE TO BE CAST IN COLUMNS OR THROUGH BEAMS WITHOUT PRIOR APPROVAL UNLESS OTHERWISE SHOWN IN THE DRAWINGS
- SPECIAL RULES REGARDING CONCRETING IN HOT WEATHER SHALL BE OBSERVED
- OPENING IN SLABS:

FOR OPENING LESS THAN 150 x 150mm BARS SHALL BE RE-ARRANGED AROUND THE OPENING.

FOR OPENINGS GREATER THAN 300 x 300mm BUT LESS THAN 600 x 600mm AND NOT SHOWN ON PLAN, PROVIDE 2Ø16 TOP AND BOTTOM ALONG EACH SIDE AND DIAGONALLY AT CORNERS OR AS OTHERWISE DETAILED. AMOUNT OF BARS GOT DISCONTINUED DUE TO THE OPENING SHALL BE PLACED AT THE RESPECTIVE SIDES.

OPENINGS GREATER THAN 600 x 600mm AND NOT SHOWN ON PLAN SHALL BE APPROVED
- SHEAR KEY SHALL BE PROVIDED AT ALL CONSTRUCTION JOINTS.

## REINFORCEMENT:

- REINFORCING STEEL SHALL BE HIGH STRENGTH DEFORMED BARS CONFORMING TO BS-4449 WITH MINIMUM YIELD STRENGTH F<sub>y</sub>=410 N/mm<sup>2</sup>, GRADE 410. WELDED WIRE MESH SHALL COMPLY WITH BS-4483.
- SPLICES IN REINFORCEMENT SHALL BE MADE ONLY IN THE POSITION SHOWN OR AS OTHERWISE APPROVED.
- 25mm SPACER BARS SHALL BE PROVIDED AT 100cm CENTERS WHEREVER REINFORCEMENT IS PLACED IN MORE THAN ONE LAYER, UNLESS STATED OTHERWISE
- WELDING OF REINFORCEMENT SHALL NOT BE PERMITTED. IF REINFORCEMENT SHOULD BE WELDED, APPROVAL IS REQUIRED.
- ALL REINFORCEMENT SHALL BE SUPPORTED IN ITS CORRECT POSITION DURING CONCRETING BY APPROVED BAR CHAIRS, SPACERS, OR SUPPORT BARS.
- TYPICAL DEVELOPMENT AND SPLICES OF DEFORMED BARS WITH F<sub>y</sub> = 410 N/mm<sup>2</sup> AND F<sub>c</sub>' = 24 N/mm<sup>2</sup>, (CYLINDER STRENGTH) SHALL BE AS FOLLOWS, UNLESS OTHERWISE MENTIONED IN DRAWINGS:

  - BASIC TENSION DEVELOPMENT LENGTH, LD = 45 x BAR DIA.
  - FOR HORIZONTAL REINFORCEMENTS (MEMBER THICKNESS LESS THAN 300mm) TENSION DEVELOPMENT LENGTH OR SPLICE, LD = 60 x BAR DIA.
  - FOR HORIZONTAL REINFORCEMENTS (MEMBER THICKNESS MORE THAN 300mm) TENSION DEVELOPMENT LENGTH OR SPLICE, LD = 70 x BAR DIA.
  - CLAUSES 6.1 TO 6.3 ARE APPLICABLE TO SLAB, WALL, BEAM,COLUMN, FOOTING AND RAFT.
  - MINIMUM COMPRESSION DEVELOPMENT LENGTH, LDC = 30 x BAR DIA (OR 300mm WHICHEVER IS MORE).

CLIENT: MINISTRY OF YOUTH  
SPORTS AND COM,  
EMPOWERMENT

DESIGN AND CONSULTANCY:



KEY PLAN:

WARNING:

- This drawing shall not be used for construction unless certified.
- Contractor to verify all dimensions of existing works on site before commencing any work or preparing shop drawings.
- Do not scale drawings, use written dimensions only.
- This drawing is to be read in conjunction with the specifications and conditions of contract.
- This drawing and design is copyright and no portion may be reproduced without the permission of the Consultant

REVISIONS

NO	DESCRIPTION	DATE

PROJECT:

NETBALL ROSTRUM

PHASE:

- CONCEPT DESIGN
- DESIGN DEVELOPMENT
- TENDER DOCUMENT
- FOR CONSTRUCTION
- AS BUILD DRAWINGS

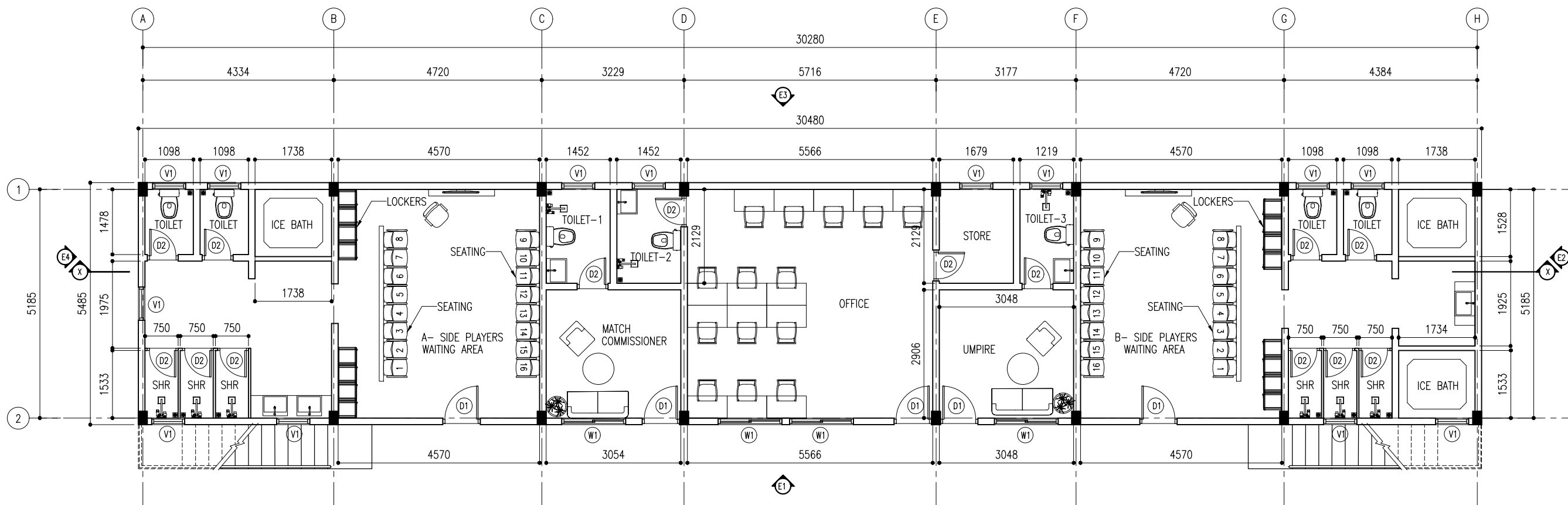
DESIGNATION	NAME	SIGNATURE
DESIGNED BY	SIARCH.PVT.LTD	
ARCHITECT	ALI ZAMEER	
STR. ENGINEER	ALI NISHAM	
CHECKED	MOHAMED SIRAJ	
DRAWN	SANKA SUMEDHA	

DWG. NAME:

ARCHITECTURAL

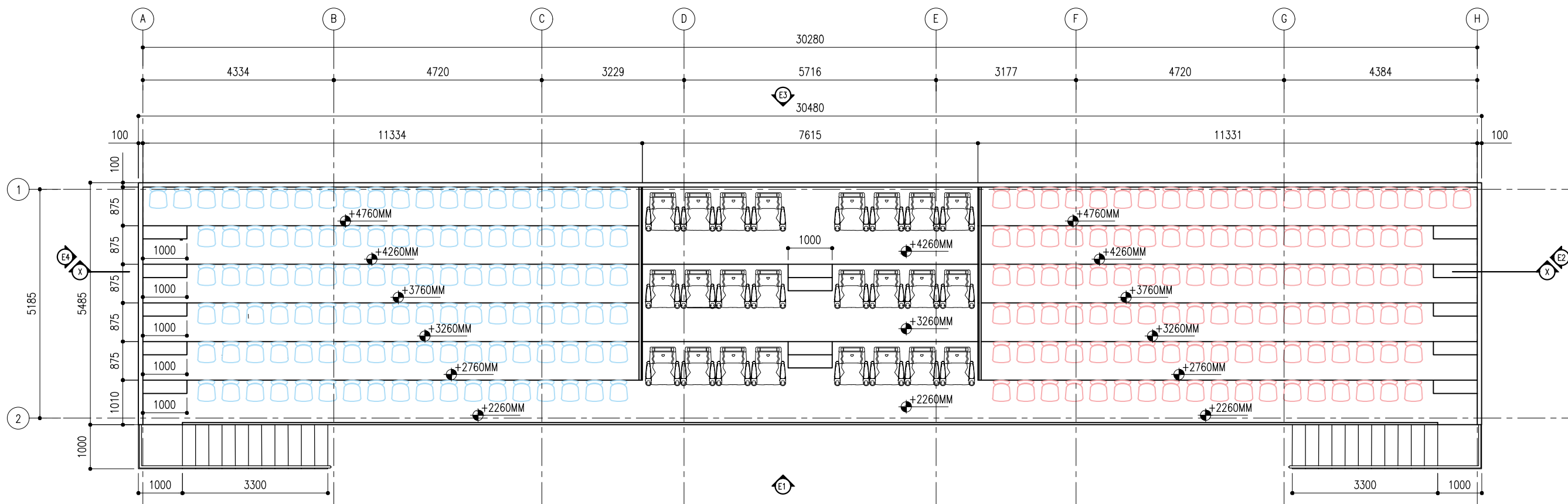
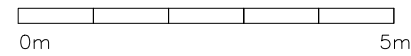
GENERAL NOTE

CODE	DATE	DWG. NO:
RSD-202	18-02-19	AR01
FORMAT	A1 A2 A3	
SCALE	- - m/s	ISSUE A
PDF FILE NAME: COM-660-NBR_ AR01_A		



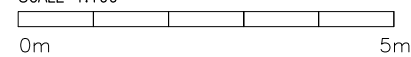
**GROUND FLOOR LAYOUT**

SCALE 1:100



**SEATING LAYOUT**

SCALE 1:100



CLIENT: MINISTRY OF YOUTH SPORTS AND COM, EMPOWERMENT

DESIGN AND CONSULTANCY:  
**SIARCH**  
 PRIVATE LIMITED  
 LONUZIYARAY MAGU, MALE', 20075, MALDIVES  
 EMAIL: INFO@SIARCH.DESIGN  
 HTTP://WWW.SIARCH.DESIGN

KEY PLAN:

WARNING:

- This drawing shall not be used for construction unless certified.
- Contractor to verify all dimensions of existing works on site before commencing any work or preparing shop drawings.
- Do not scale drawings, use written dimensions only.
- This drawing is to be read in conjunction with the specifications and conditions of contract.
- This drawing and design is copyright and no portion may be reproduced without the permission of the Consultant

REVISIONS

NO	DESCRIPTION	DATE

PROJECT:

NETBALL ROSTRUM

PHASE:

- CONCEPT DESIGN
- DESIGN DEVELOPMENT
- TENDER DOCUMENT
- FOR CONSTRUCTION
- AS BUILD DRAWINGS

DESIGNATION	NAME	SIGNATURE
DESIGNED BY	SIARCH.PVT.LTD	
ARCHITECT	ALI ZAMEER	
STR. ENGINEER	ALI NISHAM	
CHECKED	MOHAMED SIRAJ	
DRAWN	SANKA SUMEDHA	

DWG. NAME:

ARCHITECTURAL

**GROUND FLOOR LAYOUT AND SEATING LAYOUT**

CODE	DATE	DWG. NO:
RSD-202	08.09.2022	AR02
FORMAT	A1 A2 A3	
SCALE	- - 1:100	ISSUE A
PDF FILE NAME: COM-66a-NBR_AR02_A		

- This drawing shall not be used for construction unless certified.
- Contractor to verify all dimensions of existing works on site before commencing any work or preparing shop drawings.
- Do not scale drawings, use written dimensions only.
- This drawing is to be read in conjunction with the specifications and conditions of contract.
- This drawing and design is copyright and no portion may be reproduced without the permission of the Consultant

NO	DESCRIPTION	DATE

NETBALL ROSTRUM

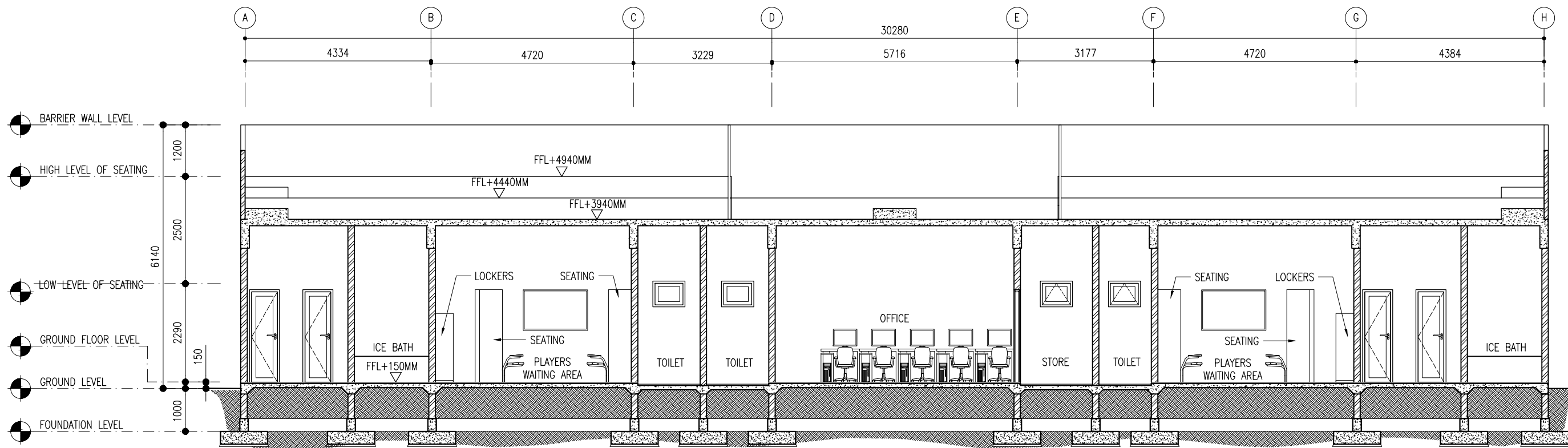
- CONCEPT DESIGN
- DESIGN DEVELOPMENT
- TENDER DOCUMENT
- FOR CONSTRUCTION
- AS BUILD DRAWINGS

DESIGNATION	NAME	SIGNATURE
DESIGNED BY	SIARCH.PVT.LTD	
ARCHITECT	ALI ZAMEER	
STR. ENGINEER	ALI NISHAM	
CHECKED	MOHAMED SIRAJ	
DRAWN	SANKA SUMEDHA	

ARCHITECTURAL

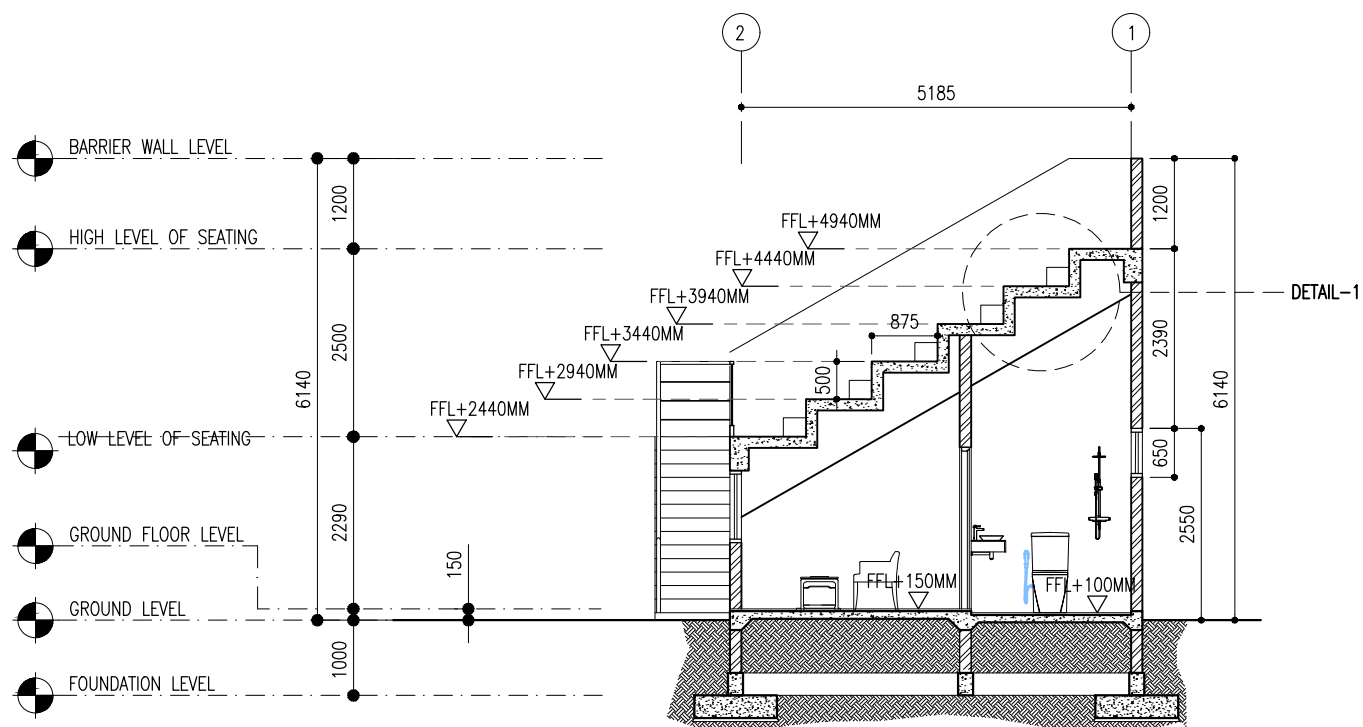
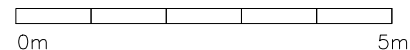
SECTION X-X/Y-Y  
AND DETAIL-1

CODE	DATE	DWG. NO:
RSD-202	08.09.2022	AR03
FORMAT	A1 A2 A3	
SCALE	- - 1/100 1/200	ISSUE A
PDF FILE NAME: COM-66a-NBR_AR03_A		



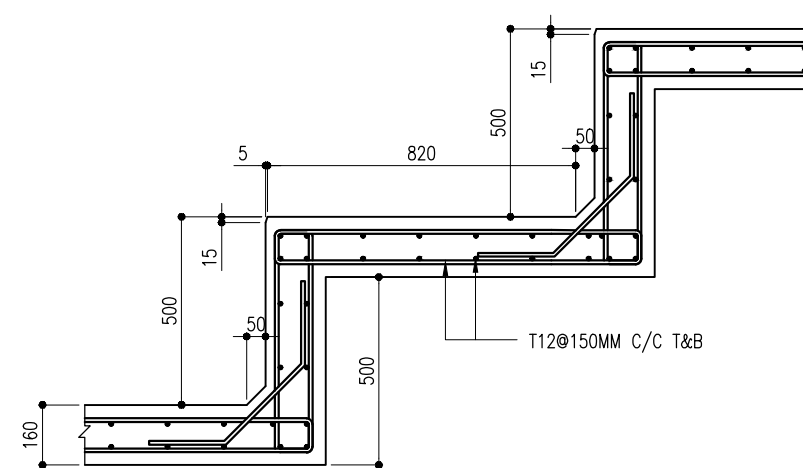
SECTION X-X

SCALE 1:100



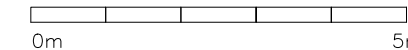
SECTION Y-Y

SCALE 1:100



DETAIL-1

SCALE 1:20







WARNING:

- This drawing shall not be used for construction unless certified.
- Contractor to verify all dimensions of existing works on site before commencing any work or preparing shop drawings.
- Do not scale drawings, use written dimensions only.
- This drawing is to be read in conjunction with the specifications and conditions of contract.
- This drawing and design is copyright and no portion may be reproduced without the permission of the Consultant

REVISIONS		
NO	DESCRIPTION	DATE

PROJECT:  
NETBALL ROSTRUM

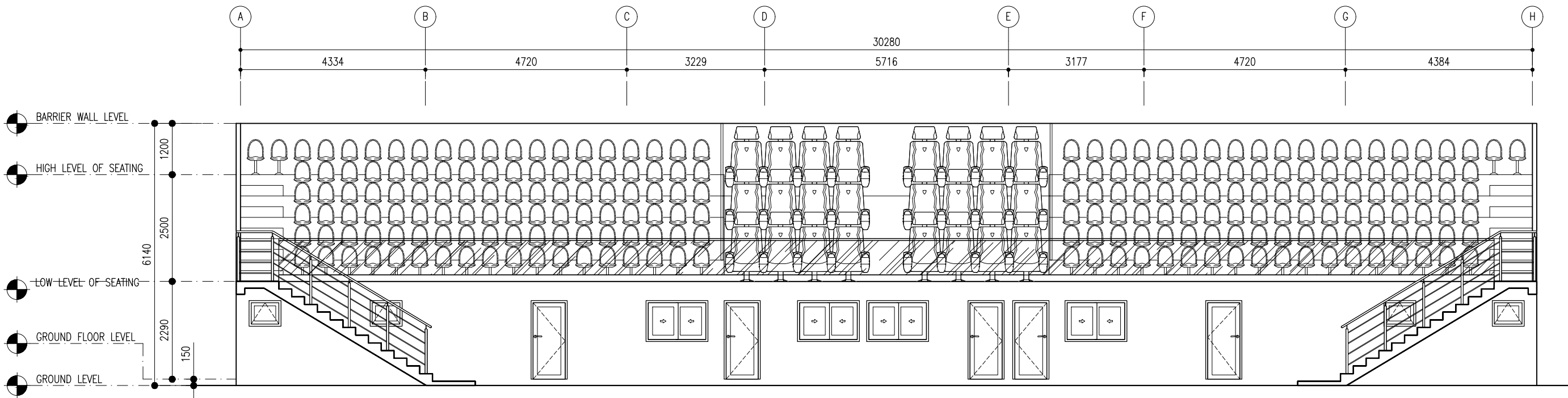
- PHASE:
- CONCEPT DESIGN
  - DESIGN DEVELOPMENT
  - TENDER DOCUMENT
  - FOR CONSTRUCTION
  - AS BUILD DRAWINGS

DESIGNATION	NAME	SIGNATURE
DESIGNED BY	SIARCH.PVT.LTD	
ARCHITECT	ALI ZAMEER	
STR. ENGINEER	ALI NISHAM	
CHECKED	MOHAMED SIRAJ	
DRAWN	SANKA SUMEDHA	

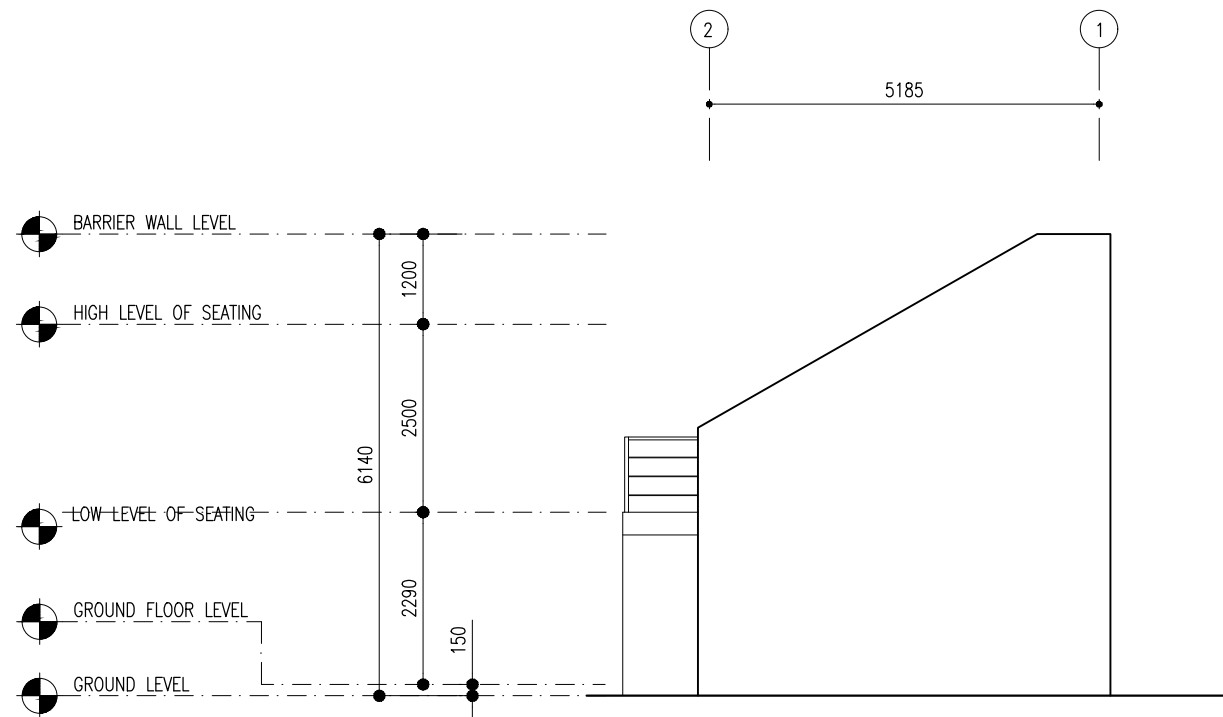
DWG. NAME:  
ARCHITECTURAL

ELEVATION E1-E2

CODE	DATE	DWG. NO:
RSD-202	08.09.2022	AR04
FORMAT	A1 A2 A3	
SCALE	- - 1:100	ISSUE A
PDF FILE NAME: COM-66a-NBR_AR04_A		



ELEVATION – E1  
SCALE 1:100  
0m 5m



ELEVATION – E2  
SCALE 1:100  
0m 5m

KEY PLAN:

WARNING:

- This drawing shall not be used for construction unless certified.
- Contractor to verify all dimensions of existing works on site before commencing any work or preparing shop drawings.
- Do not scale drawings, use written dimensions only.
- This drawing is to be read in conjunction with the specifications and conditions of contract.
- This drawing and design is copyright and no portion may be reproduced without the permission of the Consultant

REVISIONS

NO	DESCRIPTION	DATE

PROJECT:

NETBALL ROSTRUM

- PHASE:
- CONCEPT DESIGN
  - DESIGN DEVELOPMENT
  - TENDER DOCUMENT
  - FOR CONSTRUCTION
  - AS BUILD DRAWINGS

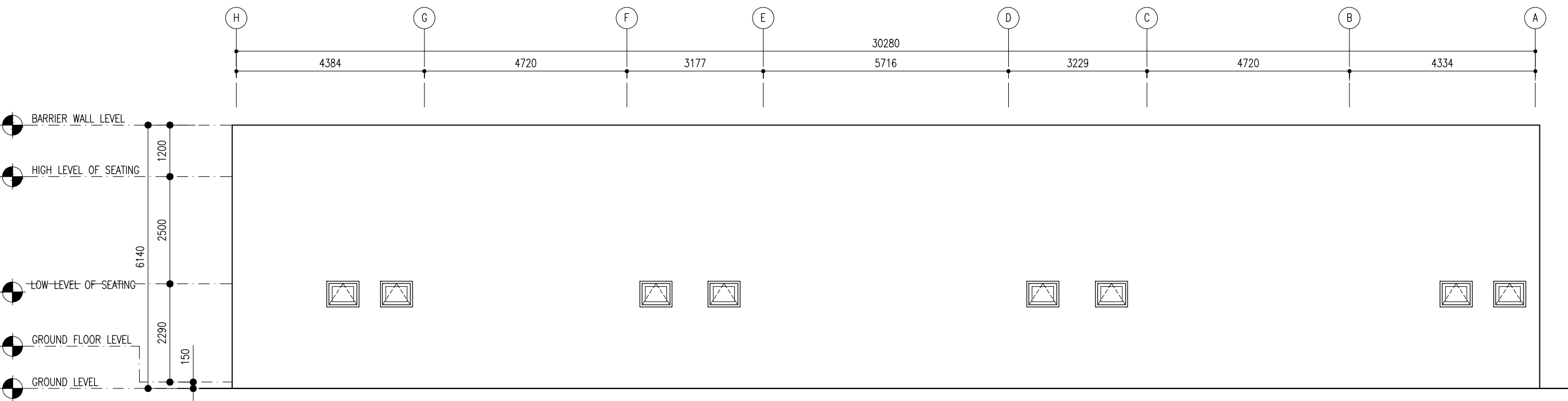
DESIGNATION	NAME	SIGNATURE
DESIGNED BY	SIARCH.PVT.LTD	
ARCHITECT	ALI ZAMEER	
STR. ENGINEER	ALI NISHAM	
CHECKED	MOHAMED SIRAJ	
DRAWN	SANKA SUMEDHA	

DWG. NAME:

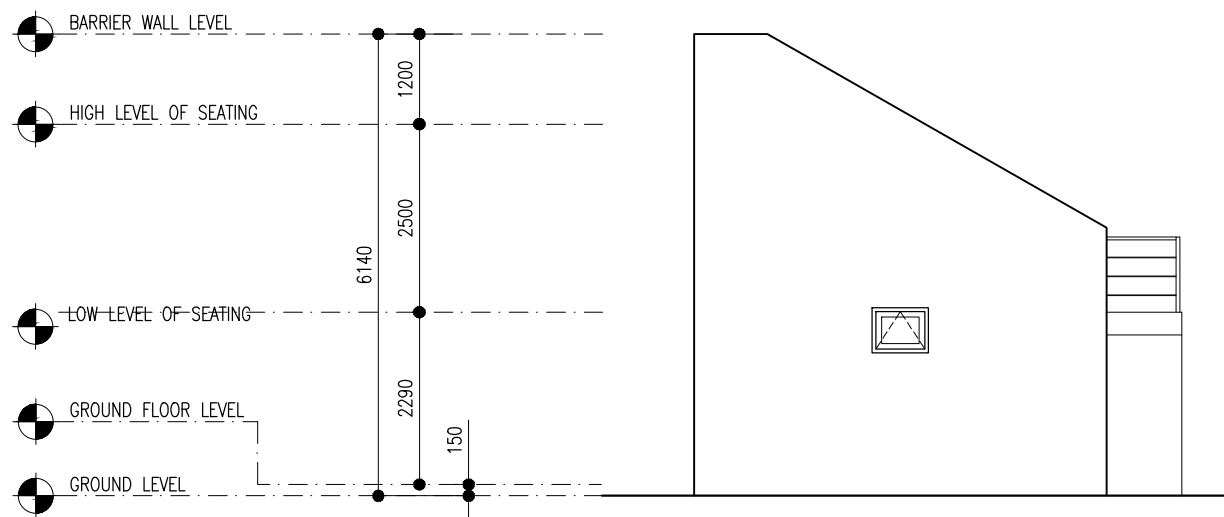
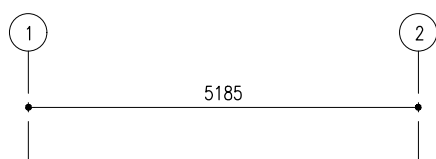
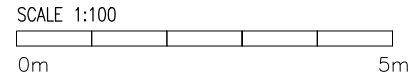
ARCHITECTURAL

ELEVATION E3-E4

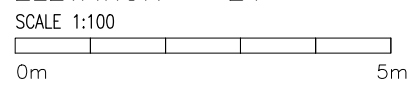
CODE	DATE	DWG. NO:
RSD-202	08.09.2022	AR05
FORMAT	A1 A2 A3	
SCALE	- - 1:100	ISSUE A
PDF FILE NAME: COM-66a-NBR_AR05_A		



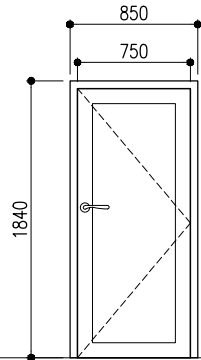
ELEVATION - E3



ELEVATION - E4



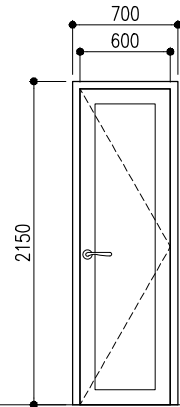
SYMBOL	D1	TOTAL = 05nos.
AREA		G.A. = 1.56m <sup>2</sup>



FL

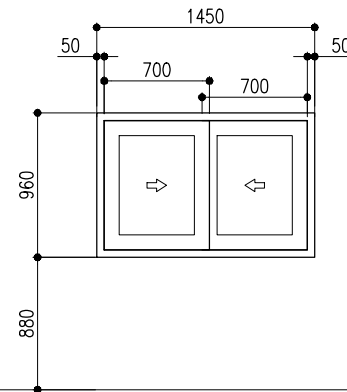
LOCATION	REFER PLAN
QUANTITY	05
DOOR FRAME	POWDER COATED WHITE FINISH ON TIMBER
DOOR PANEL	POWDER COATED GLOSS ON TIMBER
LOCK/HINGES	BUTT HINGE (SILVER) x 3 MORTISE LOCK x1
FINISHES	LIGHT TIMBER FINISH
REMARKS	

SYMBOL	D2	TOTAL = 14nos.
AREA		G.A. = 1.50m <sup>2</sup>



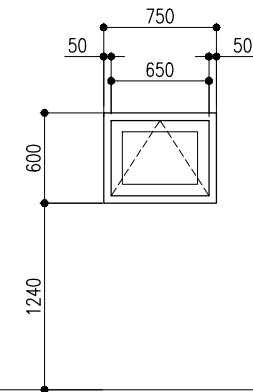
LOCATION	REFER PLAN
QUANTITY	14
DOOR FRAME	POWDER COATED WHITE FINISH ON TIMBER
DOOR PANEL	POWDER COATED GLOSS ON TIMBER
LOCK/HINGES	BUTT HINGE (SILVER) x 3 MORTISE LOCK x1
FINISHES	LIGHT TIMBER FINISH
REMARKS	

SYMBOL	W1	TOTAL = 03 nos.
AREA		G.A. = 1.39m <sup>2</sup>



LOCATION	REFER PLAN
QUANTITY	03
DOOR FRAME	POWDER WHITE COATED ALUMINUM
DOOR PANEL	TINTED BLACK GLASS
LOCK/HINGES	BRUSHED METAL (SILVER) x 3 LOCK x1
FINISHES	WHITE FINISH
REMARKS	-

SYMBOL	V1	TOTAL = 13 nos.
AREA		G.A. = 0.45m <sup>2</sup>



LOCATION	REFER PLAN
QUANTITY	13
DOOR FRAME	POWDER WHITE COATED ALUMINUM
DOOR PANEL	TINTED BLACK GLASS
LOCK/HINGES	BRUSHED METAL (SILVER) x 3 LOCK x1
FINISHES	WHITE FINISH
REMARKS	-

ROOM NAME / NUMBER	ROOM AREAS (SQM) (SPECIFY CENTRE TO CENTRE OR CLEAR)	WINDOW /OPENING NAME	REQUIRED OPENING AREA IN SQM (10% OF ROOM AREA)	DESIGNED OPENING AREA (sqm)	
				DESCRIPTION	TOTAL
GROUND FLOOR					
A- SIDE					
WAITING AREA	23.69	MACH. VENT.	2.369	MACH. VENT.	MACH. VENT.
WASHROOM AREA	21.95	V1x5	2.195	0.45x5	2.25 m <sup>2</sup>
MATCH COMMISSIONER	8.87	W1	0.887	1.39	1.39 m <sup>2</sup>
TOILET-1	3.50	V1	0.350	0.45	0.45 m <sup>2</sup>
TOILET-2	3.50	V1	0.350	0.45	0.45 m <sup>2</sup>
OFFICE	28.86	W1x2	2.886	1.39x2	2.78 m <sup>2</sup>
UMPIRE	8.85	W1	0.885	1.39	1.39 m <sup>2</sup>
STORE	3.57	V1	0.357	0.45	0.45 m <sup>2</sup>
TOILET-3	2.59	V1	0.259	0.45	0.45 m <sup>2</sup>
B- SIDE					
WAITING AREA	23.69	MACH. VENT.	2.369	MACH. VENT.	MACH. VENT.
WASHROOM AREA	21.95	V1x4	2.195	0.45x4	1.8 m <sup>2</sup>

CLIENT: MINSITRY OF YOUTH SPORTS AND COM, EMPOWERMENT



KEY PLAN:

WARNING:

- This drawing shall not be used for construction unless certified.
- Contractor to verify all dimensions of existing works on site before commencing any work or preparing shop drawings.
- Do not scale drawings, use written dimensions only.
- This drawing is to be read in conjunction with the specifications and conditions of contract.
- This drawing and design is copyright and no portion may be reproduced without the permission of the Consultant

REVISIONS

NO	DESCRIPTION	DATE

PROJECT:

NETBALL ROSTRUM

PHASE:

- CONCEPT DESIGN
- DESIGN DEVELOPMENT
- TENDER DOCUMENT
- FOR CONSTRUCTION
- AS BUILD DRAWINGS

DESIGNATION	NAME	SIGNATURE
DESIGNED BY	SIARCH.PVT.LTD	
ARCHITECT	ALI ZAMEER	
STR. ENGINEER	ALI NISHAM	
CHECKED	MOHAMED SIRAJ	
DRAWN	SANKA SUMEDHA	

DWG. NAME:

ARCHITECTURAL

DOOR AND WINDOW SCHEDULE-1

CODE	DATE	DWG. NO:
RSD-202	08.09.2022	AR06
FORMAT	A1 A2 A3	
SCALE	- - 1:50	ISSUE A
PDF FILE NAME: COM-66a-NBR_AR06_A		



CLIENT: MINSITRY OF YOUTH  
SPORTS AND COM,  
EMPOWERMENT

DESIGN AND CONSULTANCY:



KEY PLAN:

WARNING:

- This drawing shall not be used for construction unless certified.
- Contractor to verify all dimensions of existing works on site before commencing any work or preparing shop drawings. Do not scale drawings, use written dimensions only.
- This drawing is to be read in conjunction with the specifications and conditions of contract.
- This drawing and design is copyright and no portion may be reproduced without the permission of the Consultant

REVISIONS

NO	DESCRIPTION	DATE

PROJECT:

NETBALL ROSTRUM

PHASE:

- CONCEPT DESIGN
- DESIGN DEVELOPMENT
- TENDER DOCUMENT
- FOR CONSTRUCTION
- AS BUILD DRAWINGS

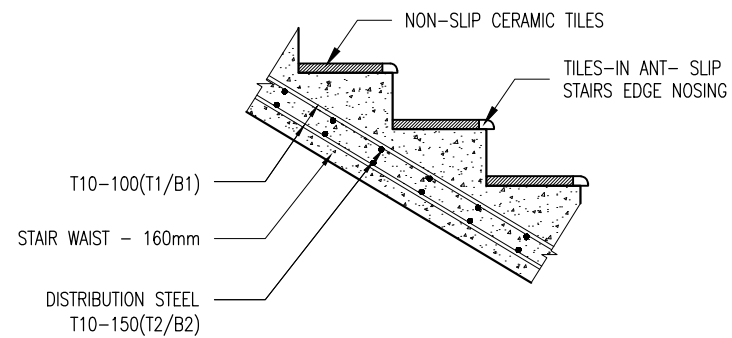
DESIGNATION	NAME	SIGNATURE
DESIGNED BY	SIARCH.PVT.LTD	
ARCHITECT	ALI ZAMEER	
STR. ENGINEER	ALI NISHAM	
CHECKED	MOHAMED SIRAJ	
DRAWN	SANKA SUMEDHA	

DWG. NAME:

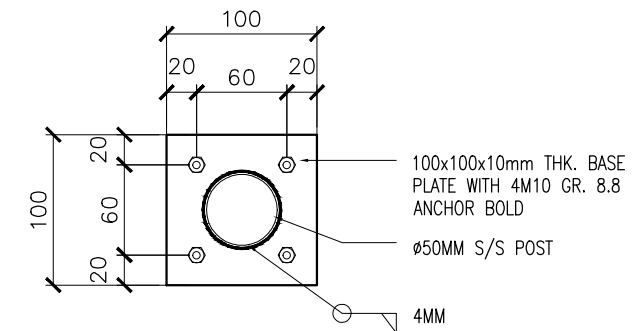
ARCHITECTURAL

TYPICAL STAIRCASE  
DETAIL

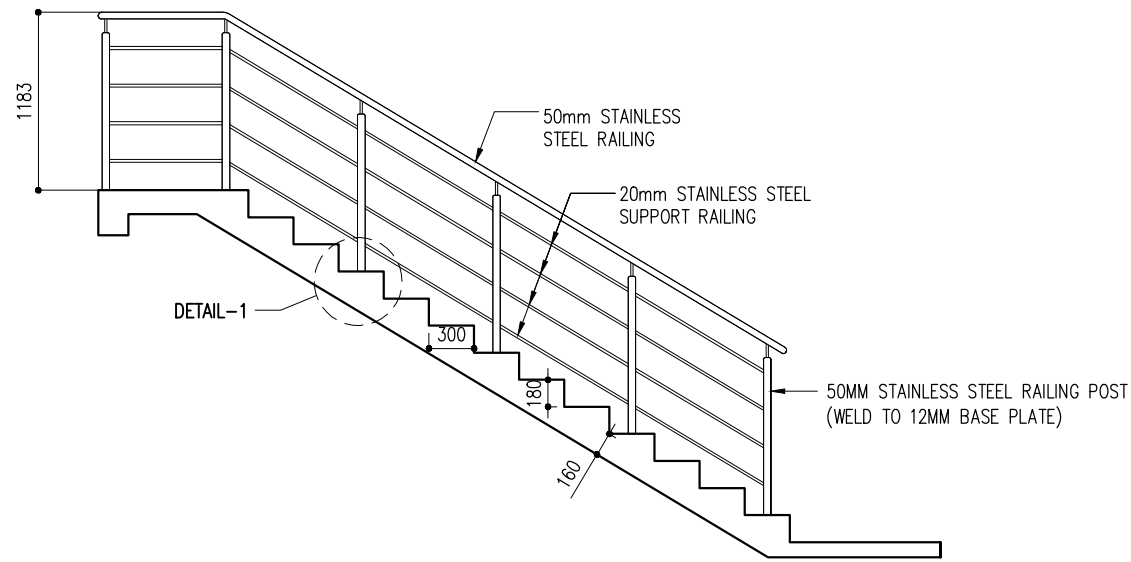
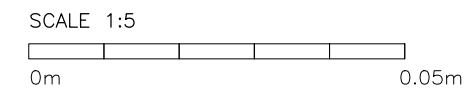
CODE	DATE	DWG. NO:
RSD-202	08.09.2022	AR07
FORMAT	A1 A2 A3	
SCALE	- - -	ISSUE A
PDF FILE NAME: COM-66a-NBR_AR07_A		



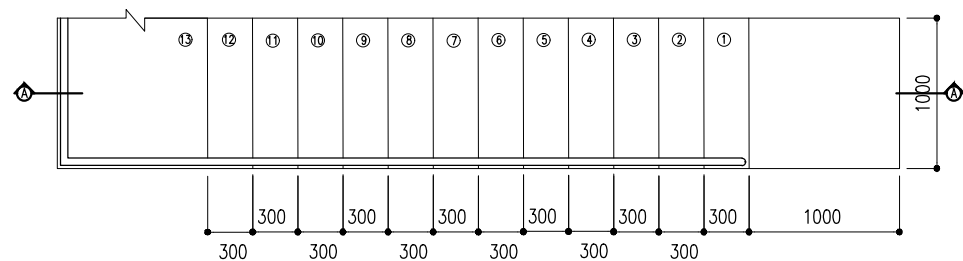
STAIR BLOW-UP DETAIL



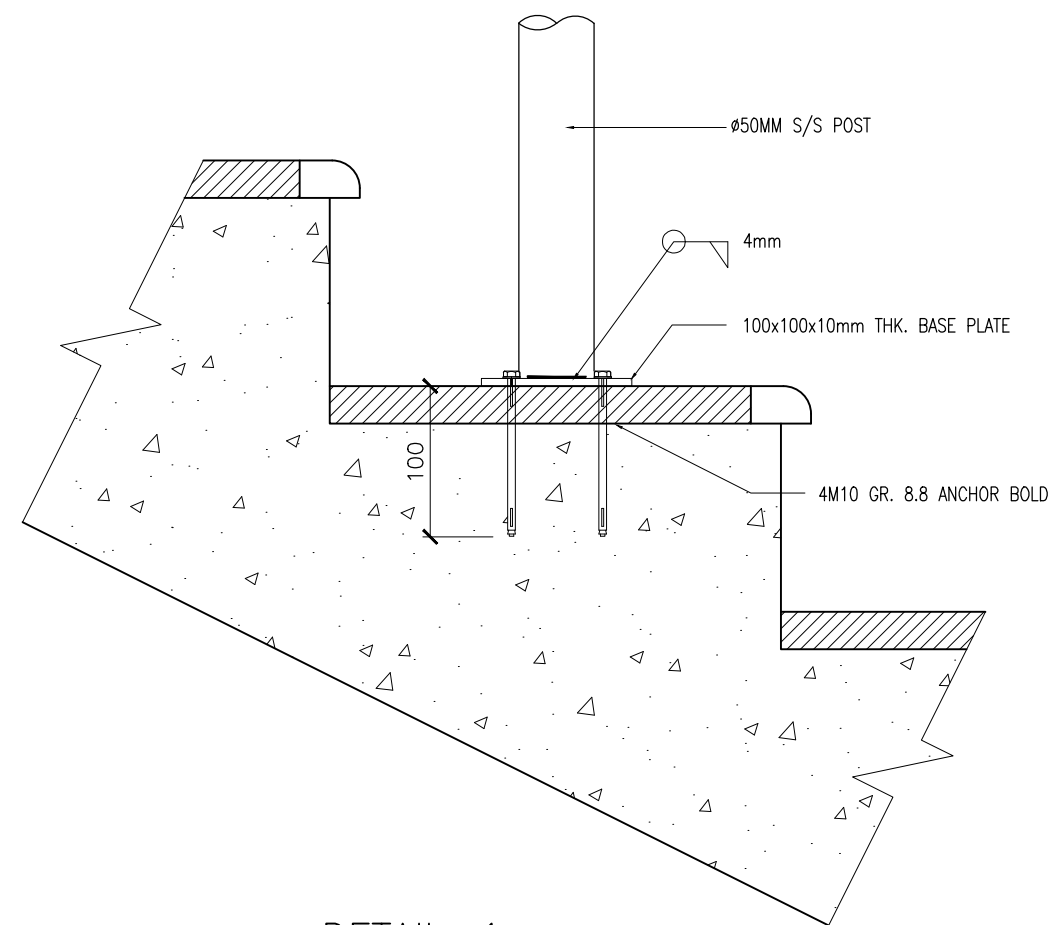
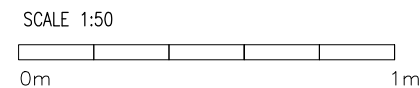
BASE PLATE DETAIL



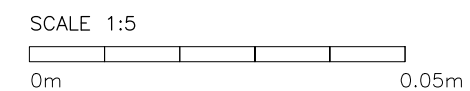
SECTION A-A

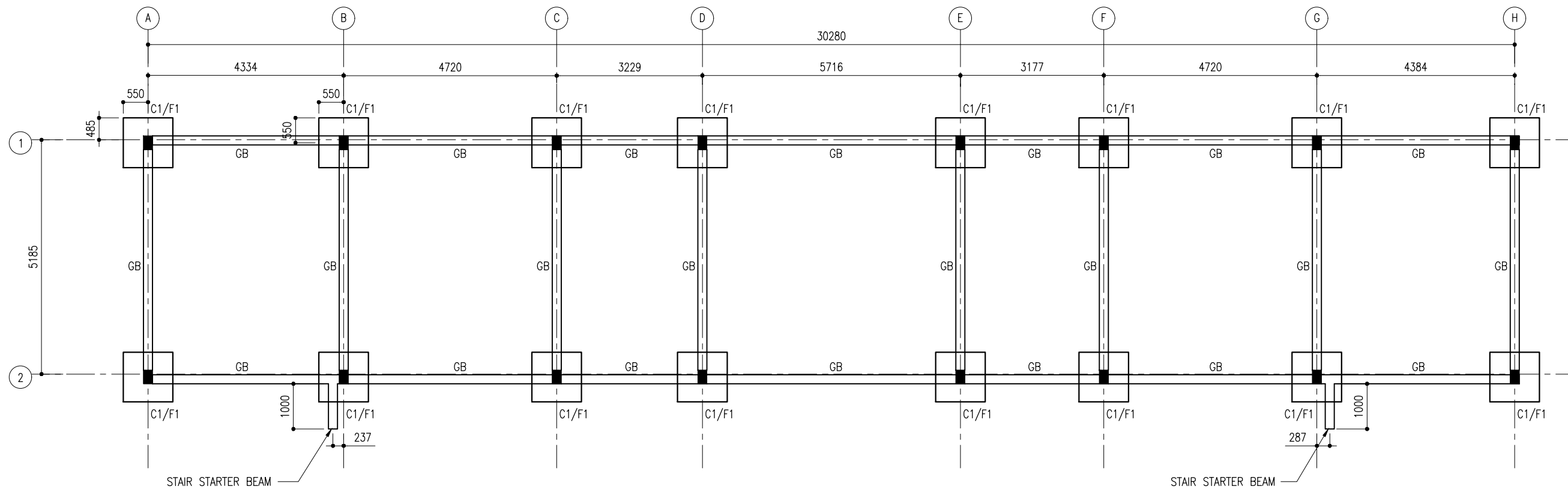


TYPICAL STAIR PLAN-1



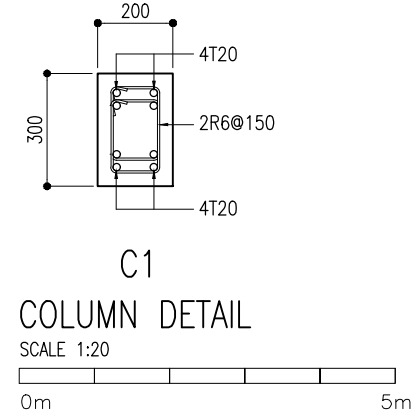
DETAIL-1





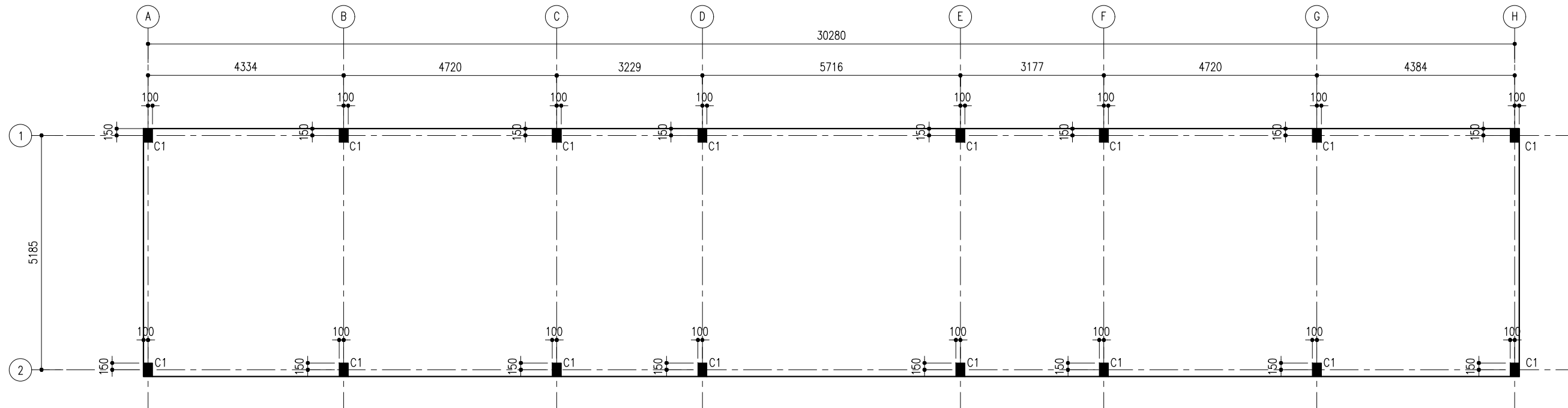
**FOUNDATION LAYOUT**

SCALE 1:100  
 0m 5m  
 F1-1100x1100x300mm T10 @ 150 BW BOTTOM



**C1  
COLUMN DETAIL**

SCALE 1:20  
 0m 5m



**COLUMN LAYOUT**

SCALE 1:100  
 0m 5m

CLIENT: MINSITRY OF YOUTH  
SPORTS AND COM,  
EMPOWERMENT

DESIGN AND CONSULTANCY:  
**SIARCH**  
 PRIVATE LIMITED  
 LONUZIYARAY MAGU, MALE' 20075, MALDIVES  
 EMAIL: INFO@SIARCH.DESIGN  
 HTTP://WWW.SIARCH.DESIGN

KEY PLAN:

WARNING:

- This drawing shall not be used for construction unless certified.
- Contractor to verify all dimensions of existing works on site before commencing any work or preparing shop drawings. Do not scale drawings, use written dimensions only.
- This drawing is to be read in conjunction with the specifications and conditions of contract.
- This drawing and design is copyright and no portion may be reproduced without the permission of the Consultant

REVISIONS

NO	DESCRIPTION	DATE

PROJECT:

NETBALL ROSTRUM

PHASE:

- CONCEPT DESIGN
- DESIGN DEVELOPMENT
- TENDER DOCUMENT
- FOR CONSTRUCTION
- AS BUILD DRAWINGS

DESIGNATION	NAME	SIGNATURE
DESIGNED BY	SIARCH.PVT.LTD	
ARCHITECT	ALI ZAMEER	
STR. ENGINEER	ALI NISHAM	
CHECKED	MOHAMED SIRAJ	
DRAWN	SANKA SUMEDHA	

DWG. NAME:

STRUCTURAL

FOUNDATION AND  
COLUMN LAYOUT

CODE	DATE	DWG. NO.
RSD-202	08.09.2022	ST01
FORMAT	A1 A2 A3	
SCALE	- - ms	ISSUE A
PDF FILE NAME: COM-660-NBR_ST01_A		

CLIENT: MINSITRY OF YOUTH  
SPORTS AND COM,  
EMPOWERMENT

DESIGN AND CONSULTANCY:  
**SIARCH**  
PRIVATE LIMITED  
LONUZIYARAY MAGU, MALÉ, 20075, MALDIVES  
EMAIL: INFO@SIARCH.DESIGN  
HTTP://WWW.SIARCH.DESIGN

KEY PLAN:

WARNING:

- This drawing shall not be used for construction unless certified.
- Contractor to verify all dimensions of existing works on site before commencing any work or preparing shop drawings.
- Do not scale drawings, use written dimensions only.
- This drawing is to be read in conjunction with the specifications and conditions of contract.
- This drawing and design is copyright and no portion may be reproduced without the permission of the Consultant

REVISIONS

NO	DESCRIPTION	DATE

PROJECT:

NETBALL ROSTRUM

PHASE:

- CONCEPT DESIGN
- DESIGN DEVELOPMENT
- TENDER DOCUMENT
- FOR CONSTRUCTION
- AS BUILD DRAWINGS

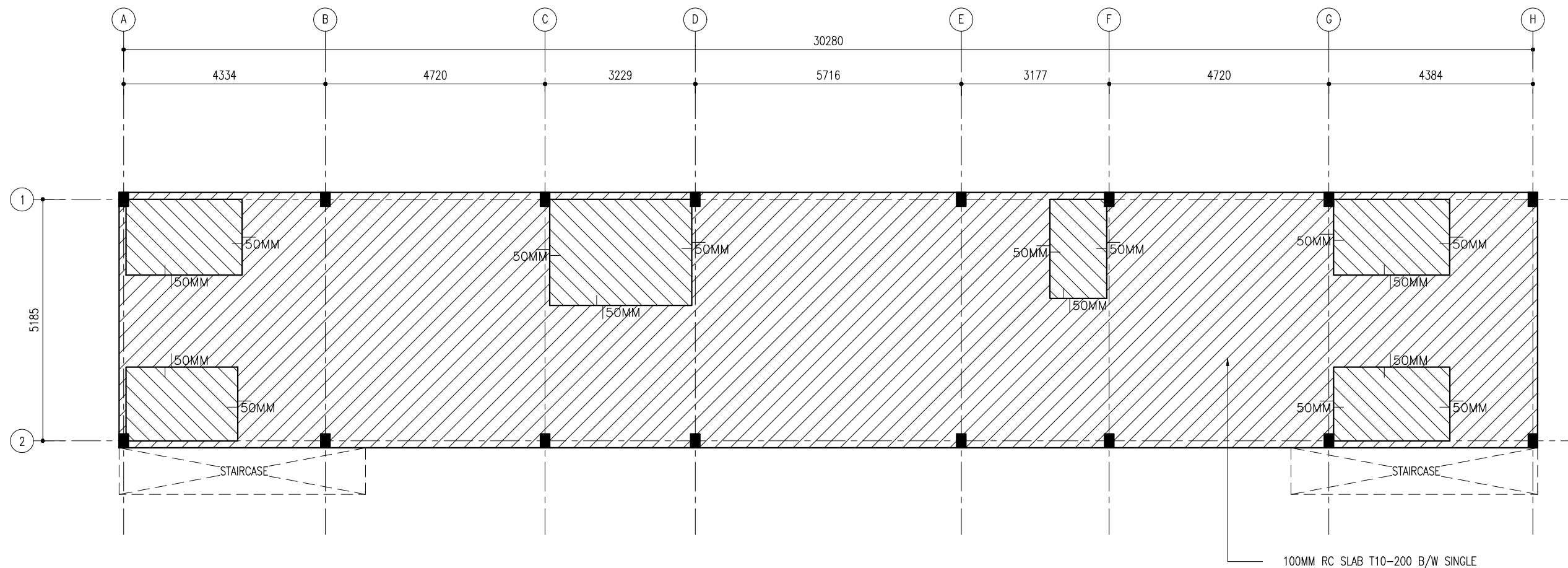
DESIGNATION	NAME	SIGNATURE
DESIGNED BY	SIARCH.PVT.LTD	
ARCHITECT	ALI ZAMEER	
STR. ENGINEER	ALI NISHAM	
CHECKED	MOHAMED SIRAJ	
DRAWN	SANKA SUMEDHA	

DWG. NAME:

STRUCTURAL

GROUND SLAB  
LAYOUT

CODE	DATE	DWG. NO:
RSD-202	08.09.2022	ST02
FORMAT	A1 A2 A3	
SCALE	- - m/s	ISSUE A
PDF FILE NAME: COM-66a-NBR_ST02_A		



GROUND SLAB LAYOUT

SCALE 1:100



100MM RC SLAB T10-200 B/W SINGLE

KEY PLAN:

WARNING:

- This drawing shall not be used for construction unless certified.
- Contractor to verify all dimensions of existing works on site before commencing any work or preparing shop drawings.
- Do not scale drawings, use written dimensions only.
- This drawing is to be read in conjunction with the specifications and conditions of contract.
- This drawing and design is copyright and no portion may be reproduced without the permission of the Consultant

REVISIONS

NO	DESCRIPTION	DATE

PROJECT:

NETBALL ROSTRUM

PHASE:

- CONCEPT DESIGN
- DESIGN DEVELOPMENT
- TENDER DOCUMENT
- FOR CONSTRUCTION
- AS BUILD DRAWINGS

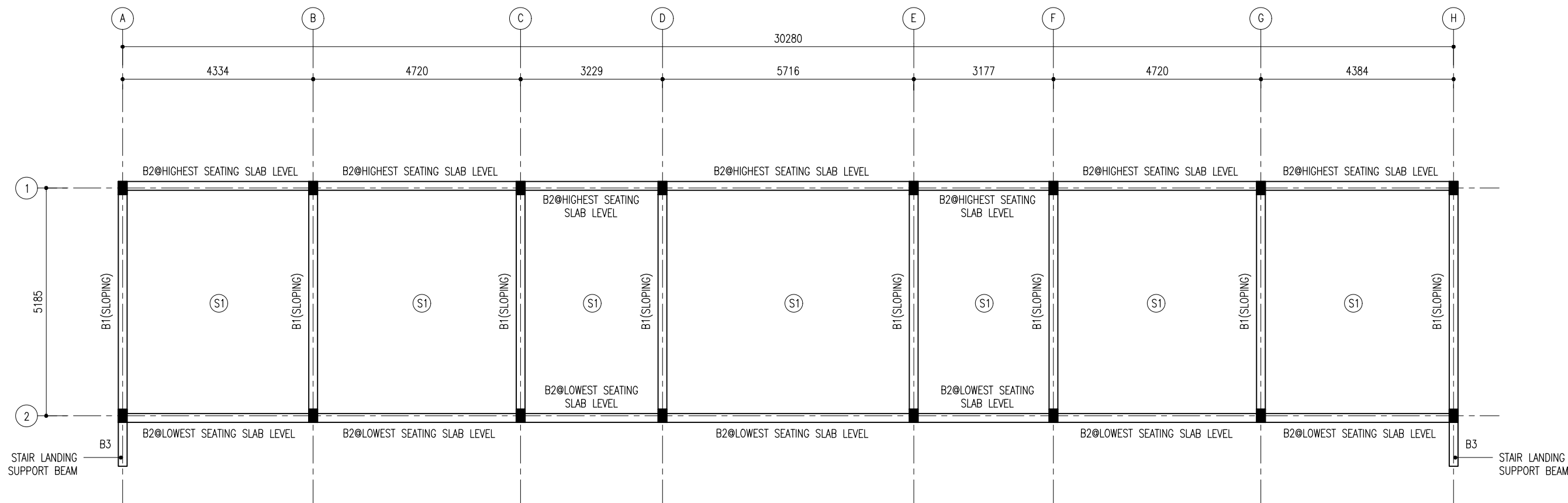
DESIGNATION	NAME	SIGNATURE
DESIGNED BY	SIARCH.PVT.LTD	
ARCHITECT	ALI ZAMEER	
STR. ENGINEER	ALI NISHAM	
CHECKED	MOHAMED SIRAJ	
DRAWN	SANKA SUMEDHA	

DWG. NAME:

STRUCTURAL

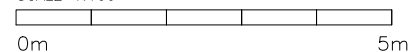
SEATING AREA  
BEAM PLAN & DETAILS

CODE	DATE	DWG. NO:
RSD-202	08.09.2022	ST03
FORMAT	A1 A2 A3	
SCALE	- - m/s	ISSUE A
PDF FILE NAME: COM-660-NBR_ST03_A		

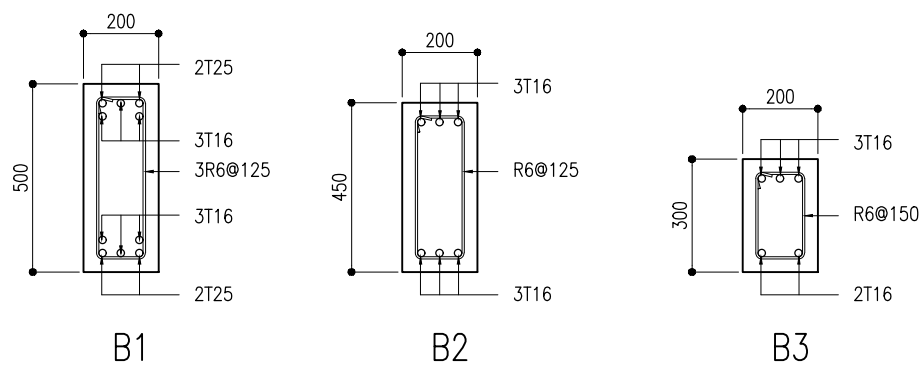


### SEATING AREA BEAM PLAN

SCALE 1:100



NOTE:  
SEATING AREA : S1 = 160MM T12-150 B/W T/B



### BEAM DETAIL

SCALE 1:20

