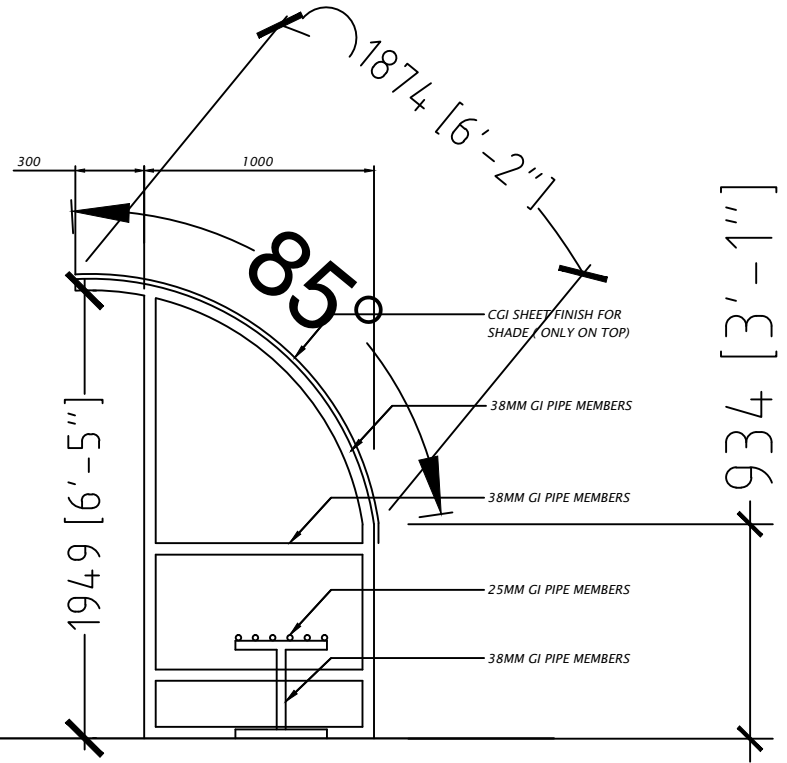
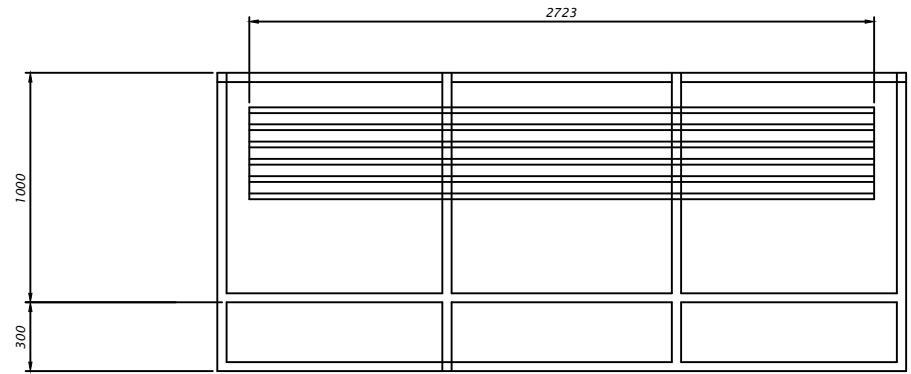


FRONT VIEW

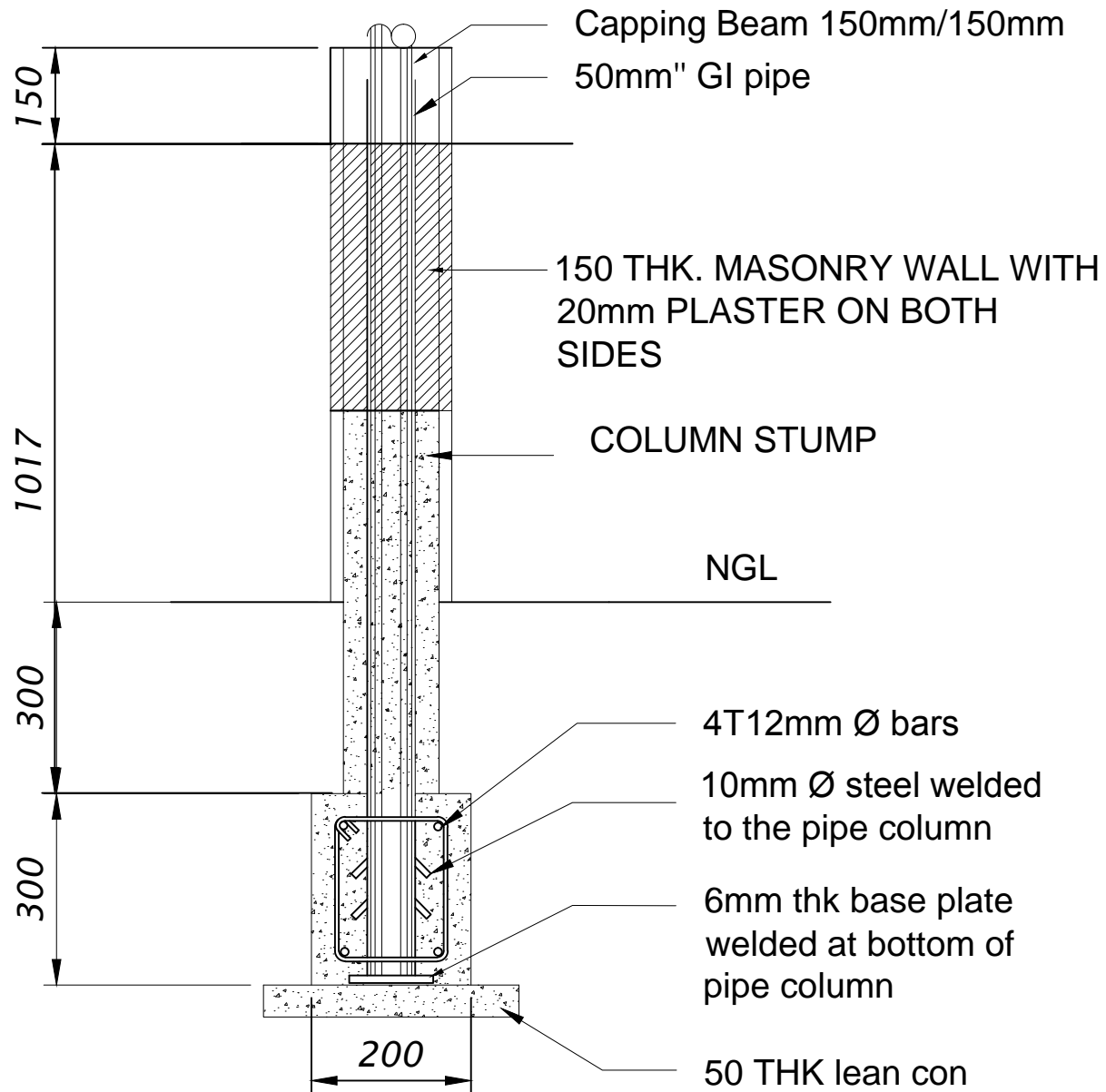


SIDE VIEW



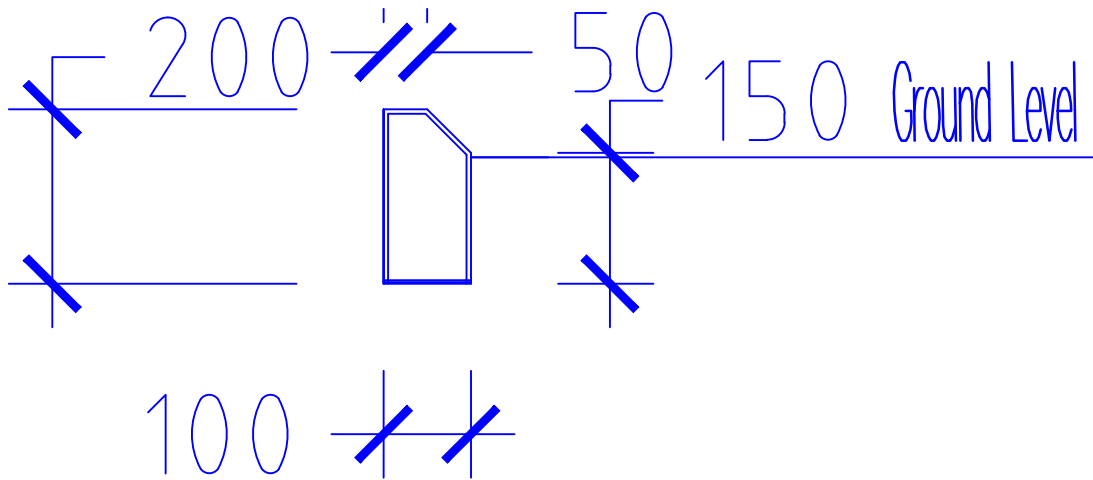
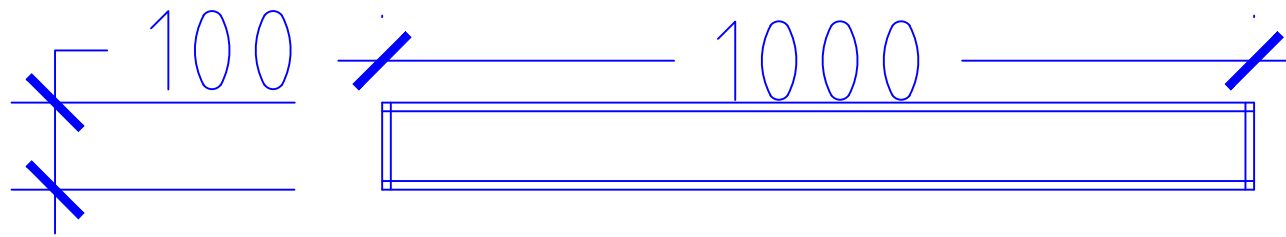
TOP VIEW

DETAIL-GI BENCH
Scale - 1:30



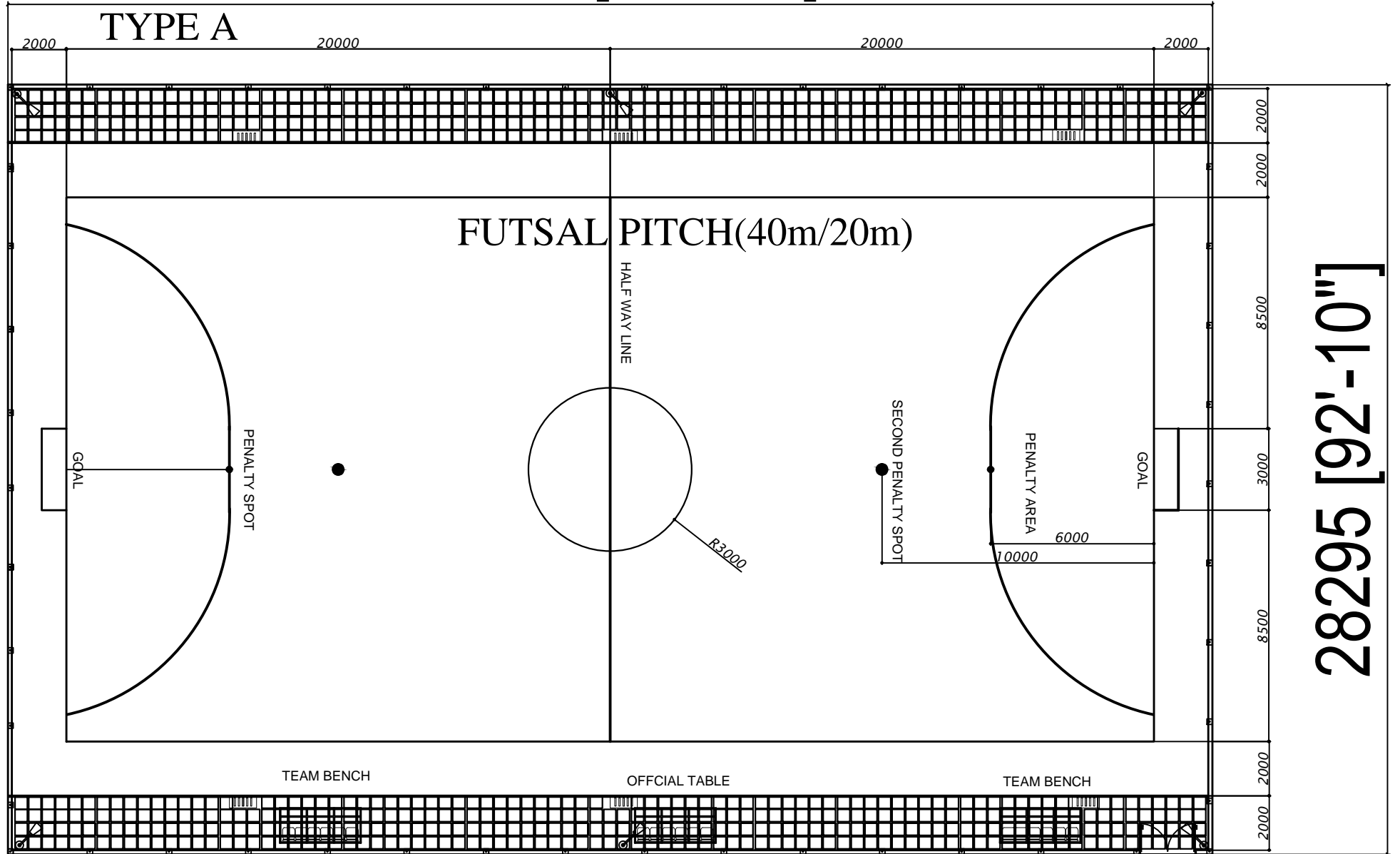
DETAL- COLUMN STUMP

Scale - 1:20

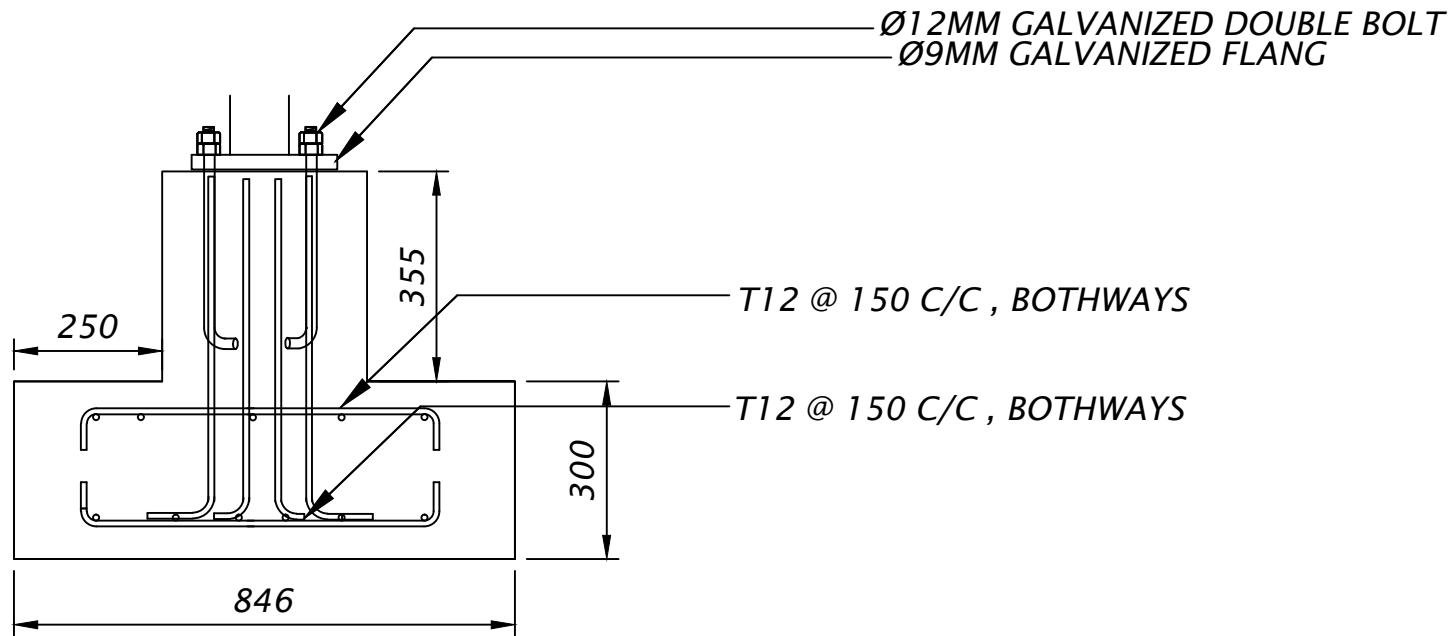


Curb Stone Details

44311 [145'-5"]

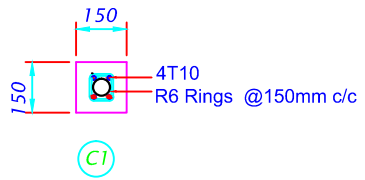


FUTSAL PICH PLAN
Scale - 1:200



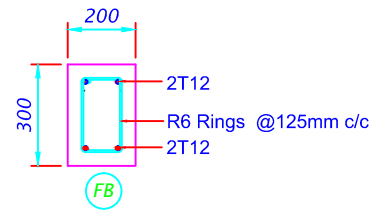
DETAIL - LIGHT POST

SCALE 1:15



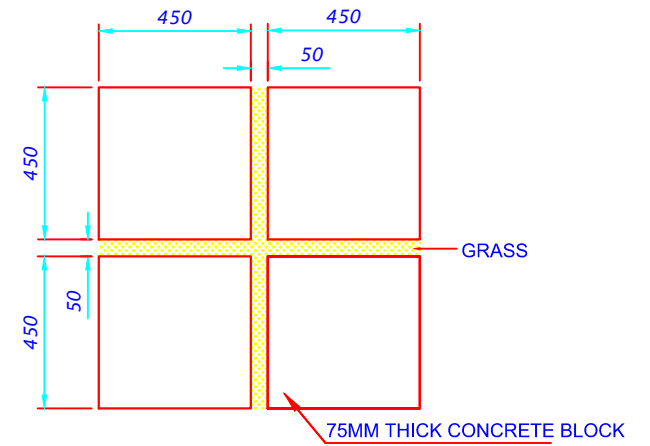
DETAIL-COLUMNS

Scale - 1:20



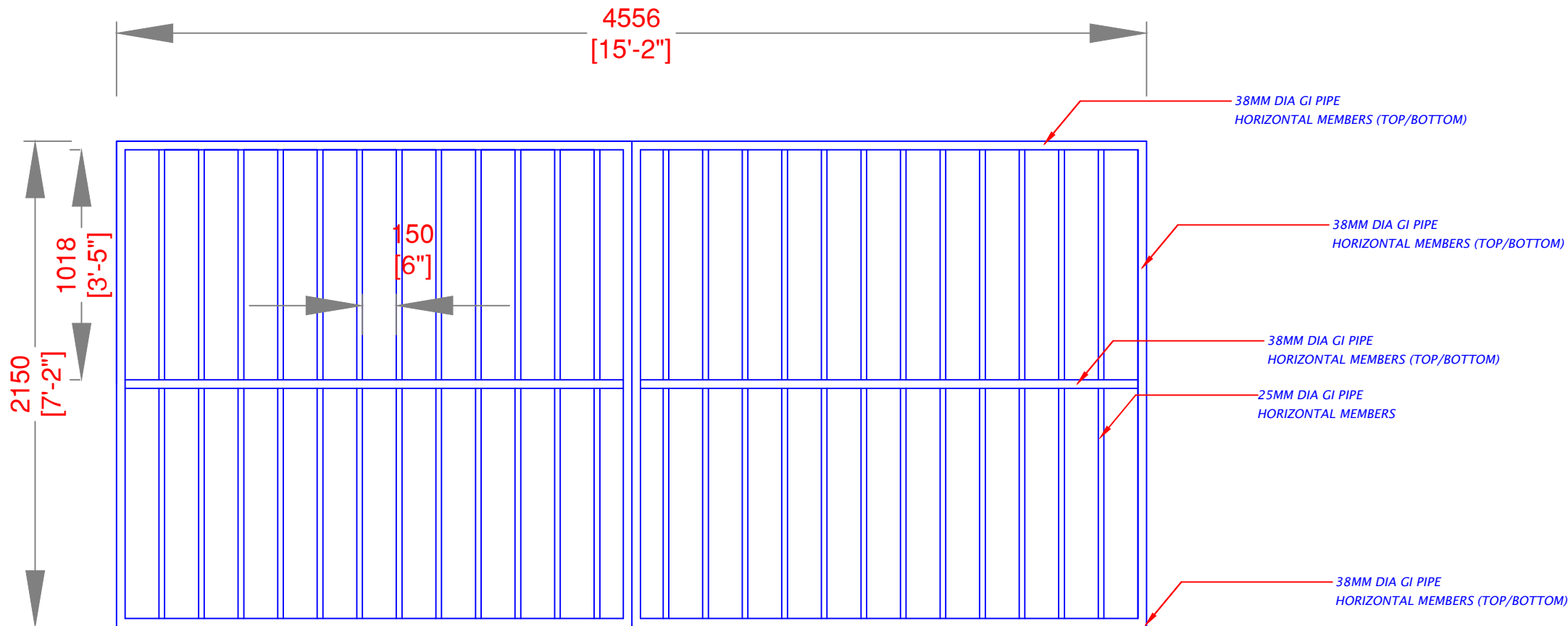
DETAIL-FOUNDATION BEAM

Scale - 1:20

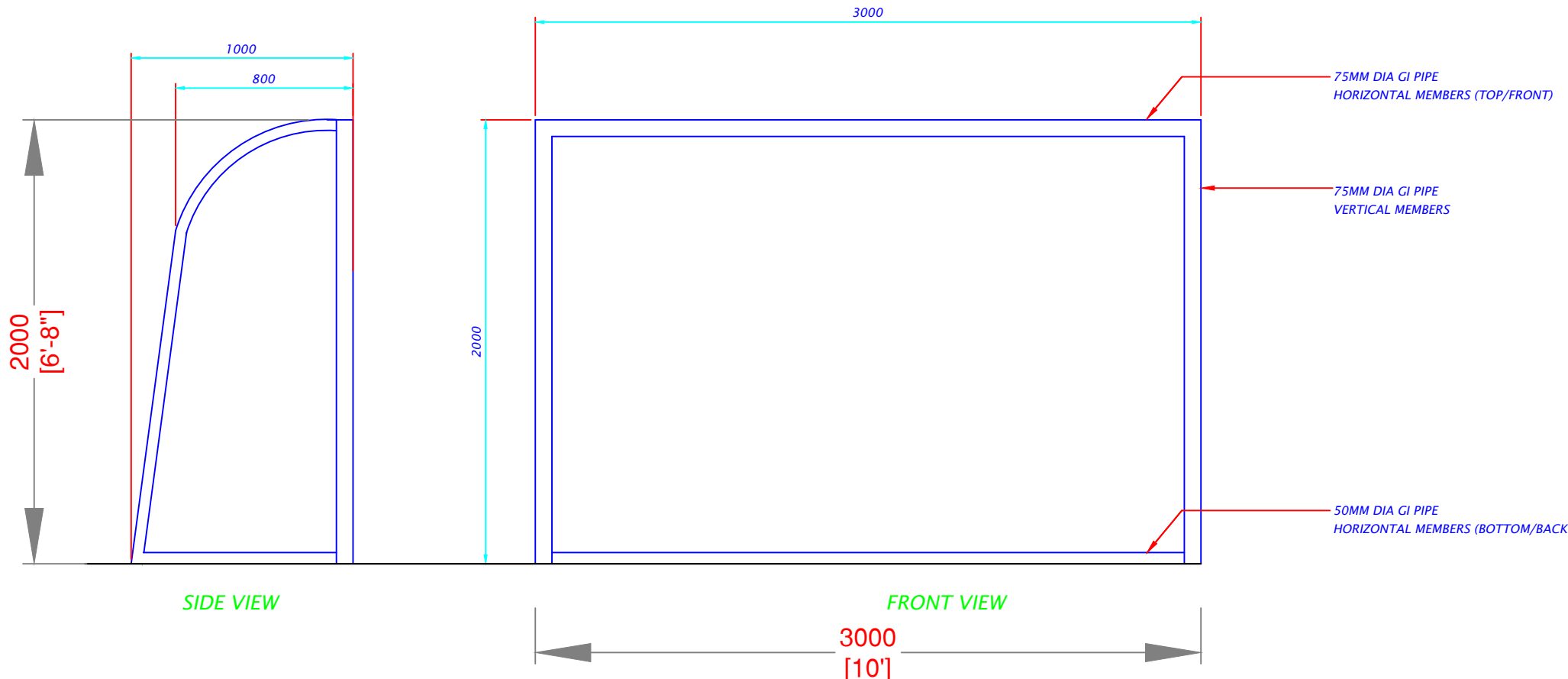


DETAIL-PAVING BLOCKS

Scale - 1:20



GATE DETAIL
Scale - 1:25

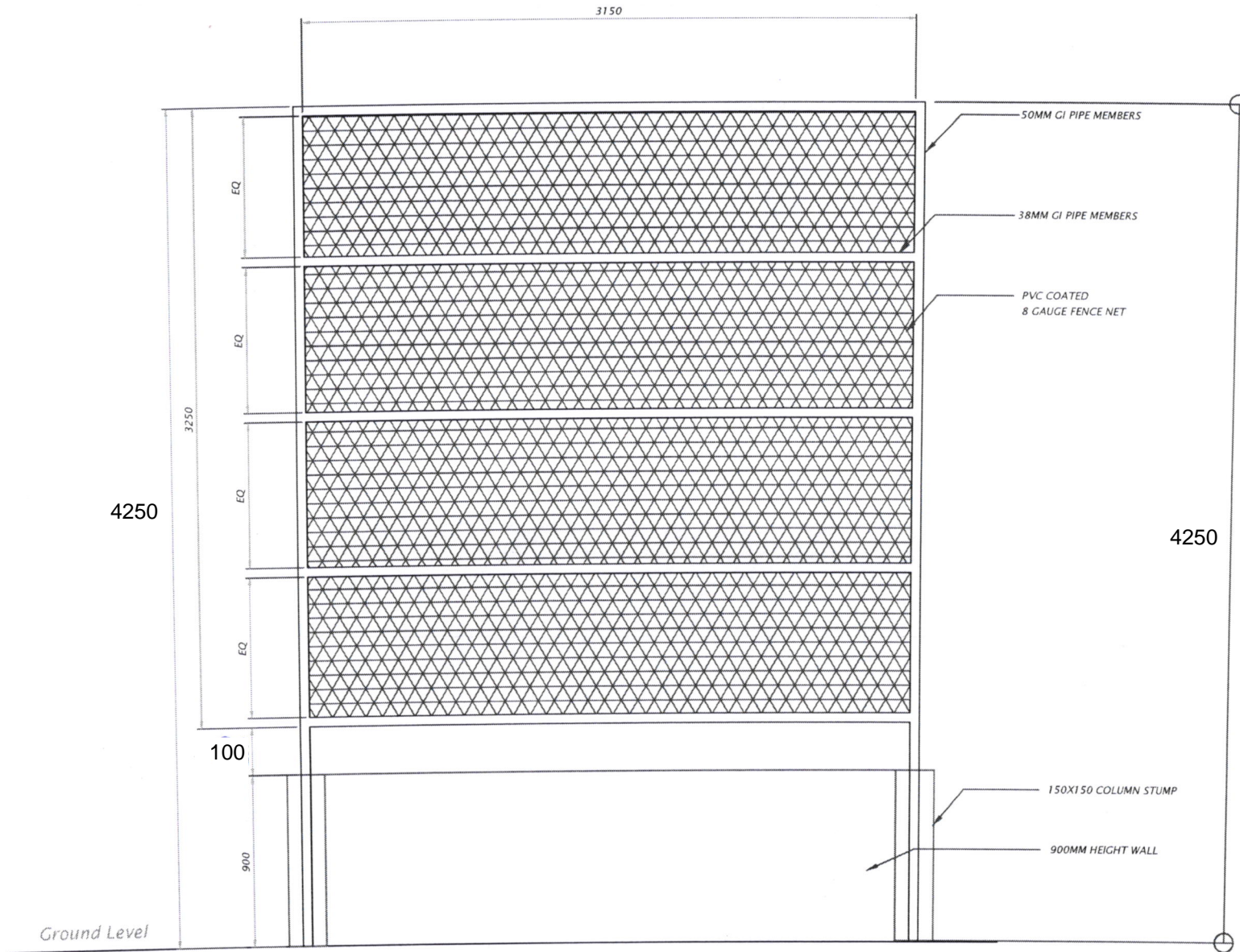


SIDE VIEW

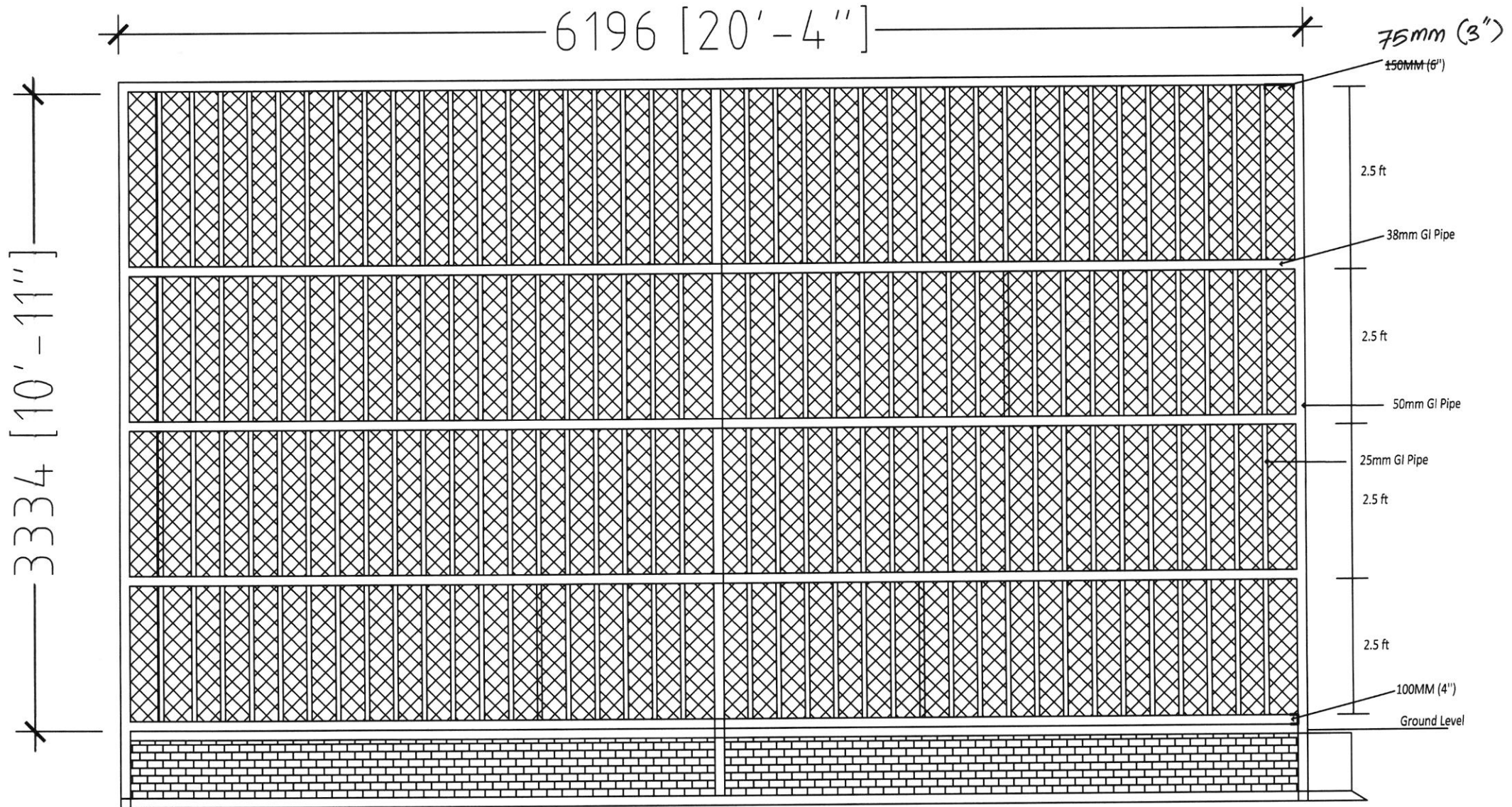
FRONT VIEW

DETAL-GOAL POST
Scale - 1:20

3000
[10']

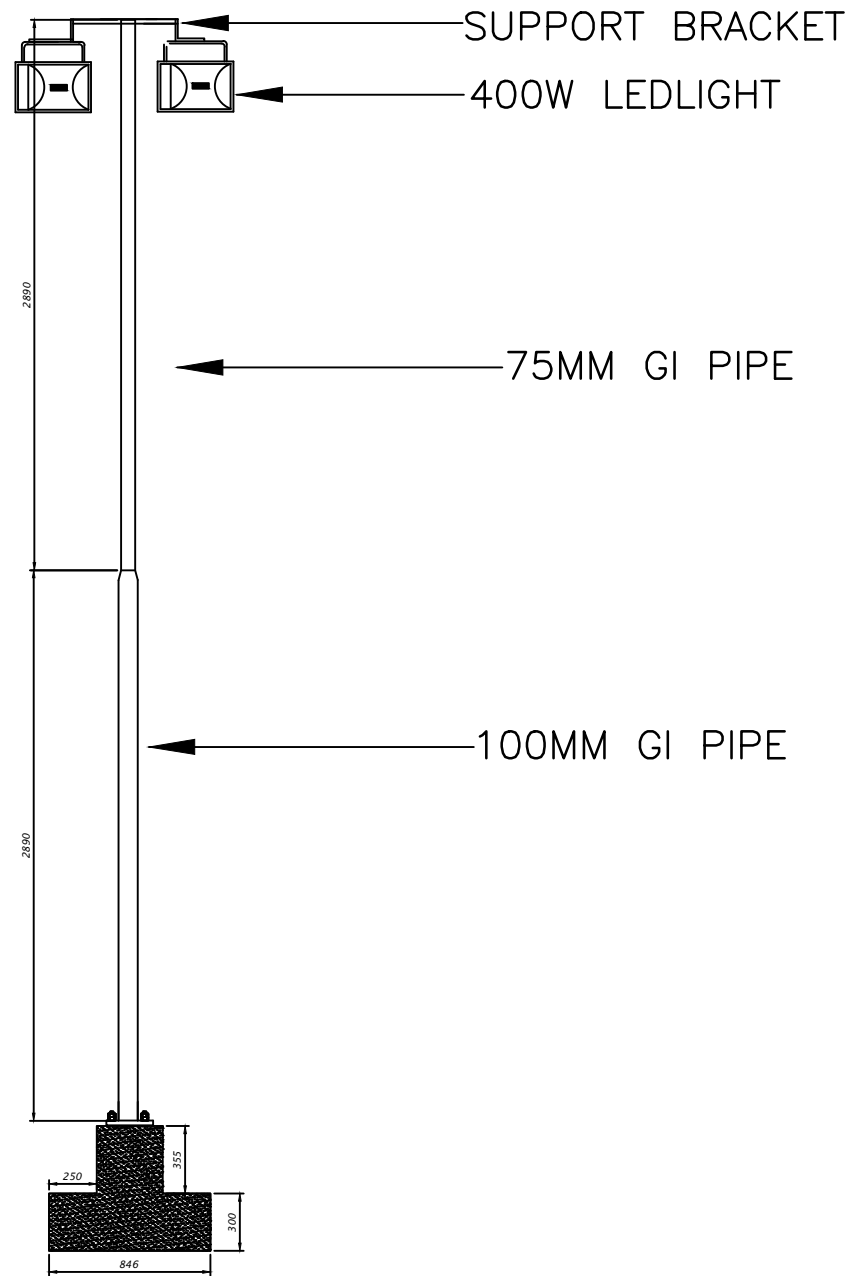


DETAIL-PVC FENCE
 Scale - 1:30

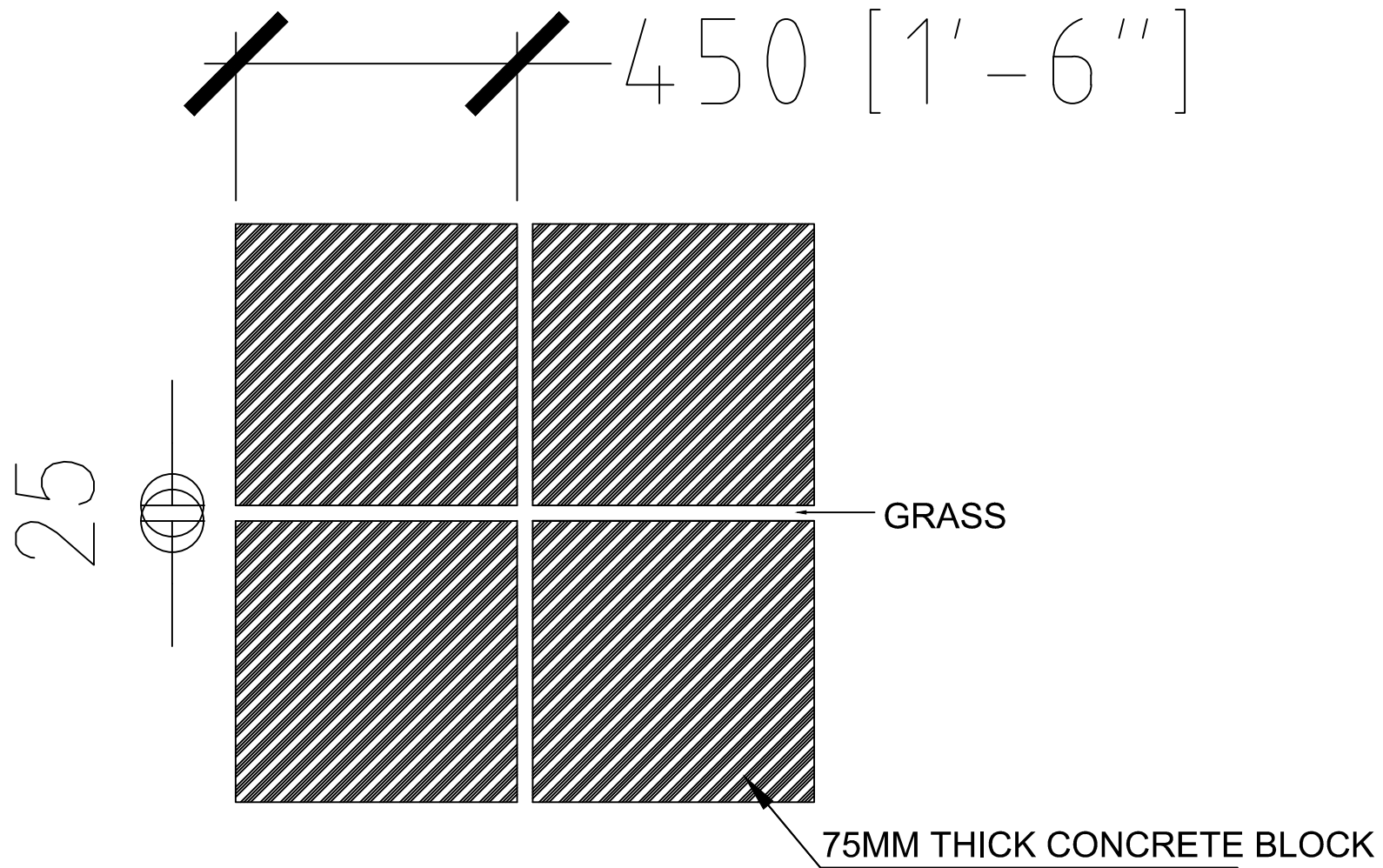


FUTSAL GROUND GOAL FENCING DETAIL

SCALE 1:25

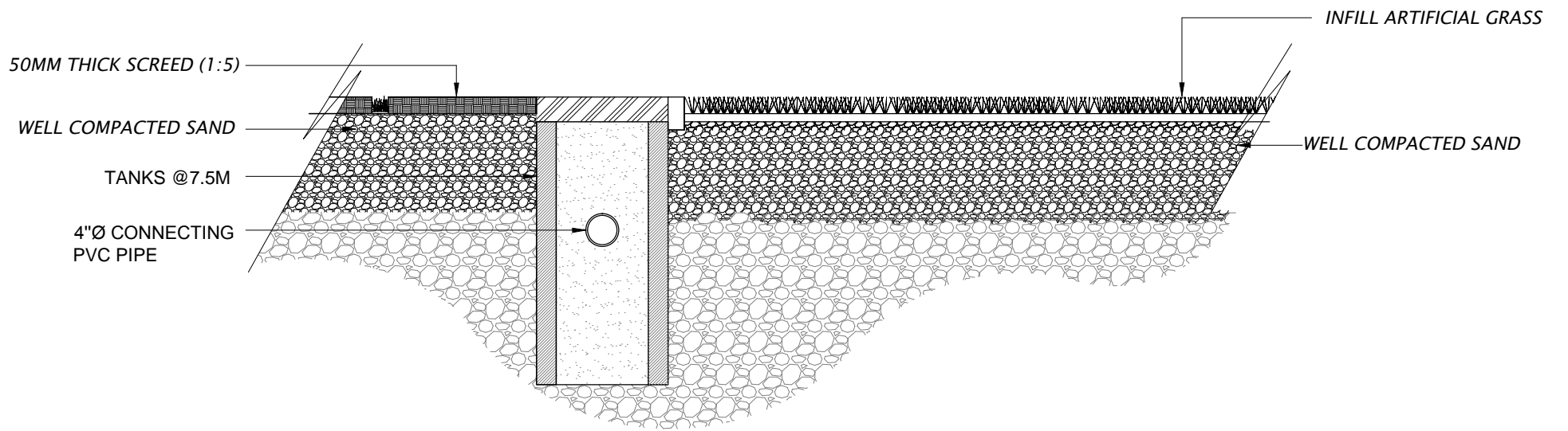


DETAL-LIGHT POST
Scale - 1:30



DETAIL-PAVING BLOCKS

Scale - 1:20



DETAILS- OUTDOOR PITCH

Scale 1:20

SETT-T TECHNICAL DATA SHEET

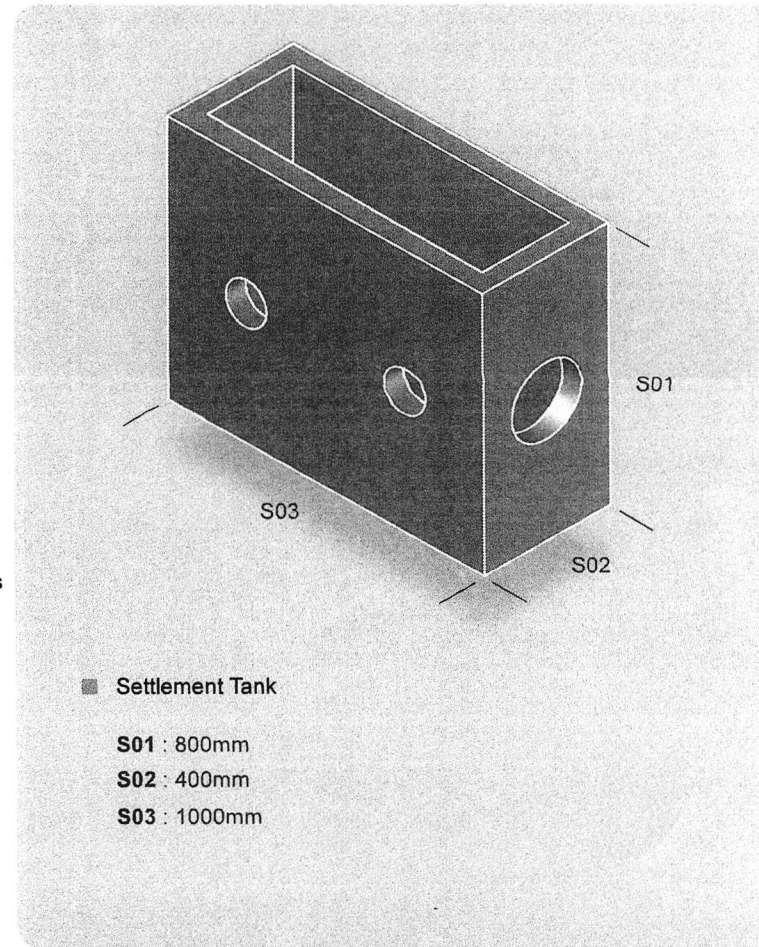
Settlement Tank

MRDC's engineering quality cement concrete products (MRDC Blocks) are durable, high strength bricks, specially manufactured to cope with exposure to abrasive conditions.

This can be used to collect water from gutter line.

Settlement Tank Specification

Form	Solid PCC settlement tank
Appearance	Standard gray colour - untreated surface
Size	1000mm x 400mm x 800mm and 60mm thickness
Composition	OPC + coral sand + coral stone
Density	Average 2174.9kg/m ³
Dry Weight	330kg approximately
Strength	Average 13.6N/mm ²
Surface treatment	Untreated
Area coverage	N/A
Presentation	Pellet containing 5 Nos
Pack Weight	1665kg approximately including pellet
Approx Pack Dimension	1.0m x 1.0m x 1.0m height approximately



GUT-CVR TECHNICAL DATA SHEET

RCC Settlement Tank Cover

MRDC's engineering quality cement concrete products (MRDC Blocks) are durable, high strength bricks, specially manufactured to cope with exposure to abrasive conditions.

This can be used in the gutter line to cover the gutter line.

Settlement Tank Cover Specification

Form	RCC grating gutter cover
Appearance	Standard gray colour - untreated surface
Size	1000mm x400mm x 500mm and 80mm thickness
Composition	OPC + River sand + Aggregates
Density	Average 2567.6kg/m ³
Dry Weight	90kg approximately
Strength	Average 19.0N/mm ²
Surface treatment	Untreated
Area coverage	N/A
Presentation	Pellet containing 30 Nos
Pack Weight	2715kg approximately including pellet
Approx Pack Dimension	1.0m x 1.0m x 1.0m height approximately

