

# FISH CUTTING PLATFORM

---

CLIENT ; SECRETARIAT OF THE HIMMAFUSHI COUNCIL

DESIGNED BY INAN'S ART/ DESIGNER ; HASAN INAN

CONTACT INFO ; PHONE 7491901 / EMAIL; [inanmtg23@gmail.com](mailto:inanmtg23@gmail.com)

PAGE NAME	PAGE NO
RENDER IMAGES	1
RENDER IMAGES	2
TOP VIEW	3
SIDE VIEW	4
FLOOR PLAN	5
FOUNDATION PLAN	6
SECTION	7
ROOF PLAN	8
ROOF STRUCTURE	9
ELECTRIC LAYOUT	10
SAVAGE LAYOUT	11
PLUMBING LAYOUT	12
FOUNDATION DETAILS	13
OTHER DETAILS	14

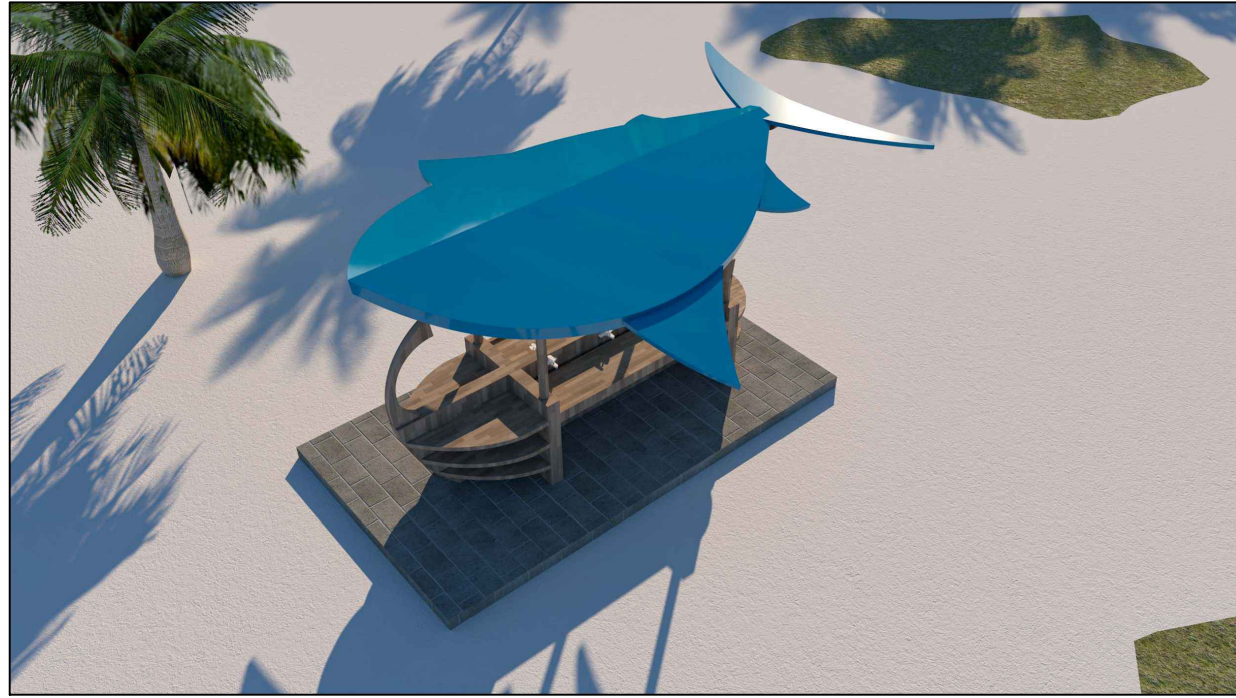


## **RENDER IMAGES**

SCALE 1: 50



PROJECT	DESIGNER	PAGE NO	1
HIMMAFUSHI FISH CUTTING PLATFORM	HASAN INAN		

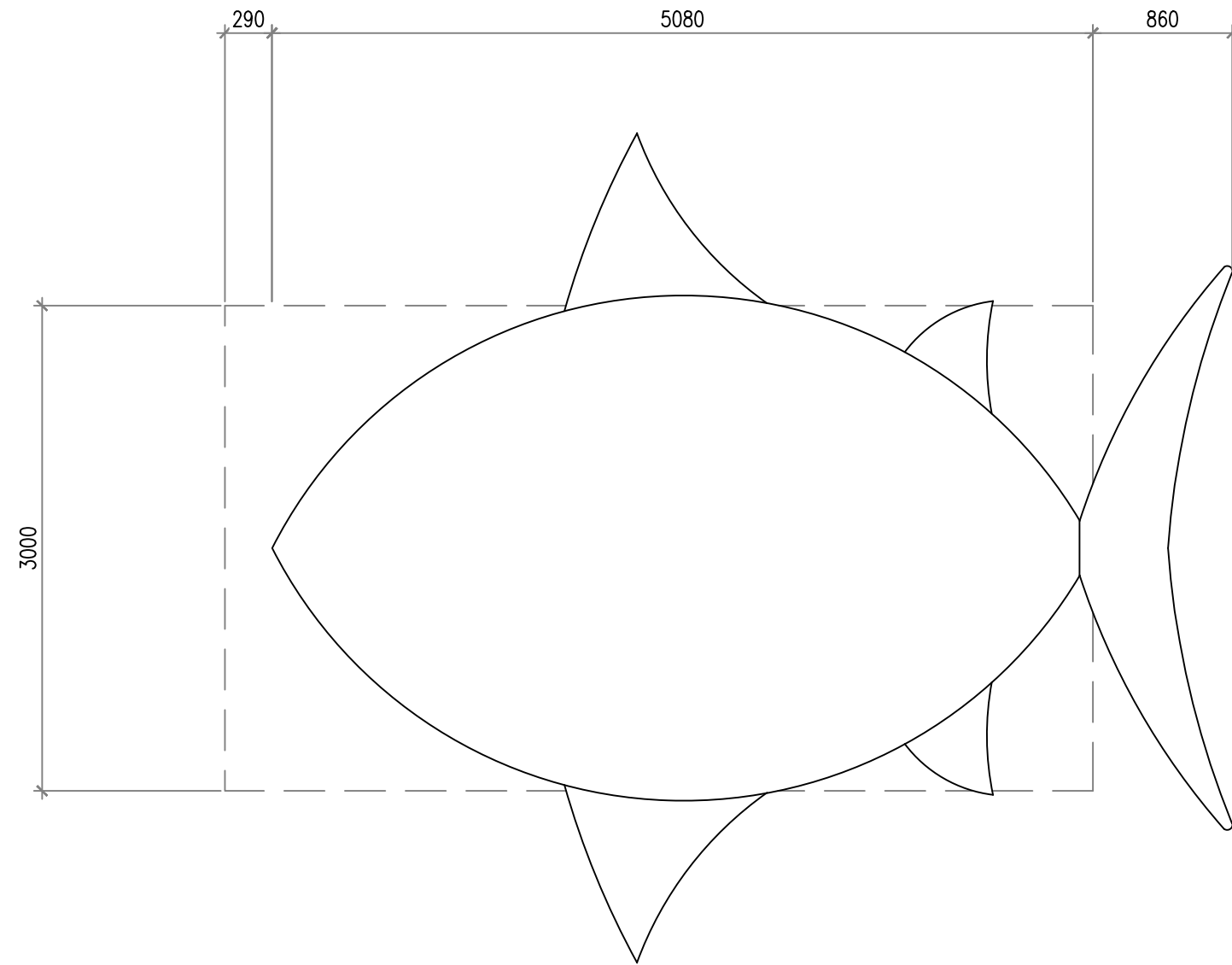


## RENDER IMAGES

SCALE 1: 50



PROJECT	DESIGNER	PAGE NO	2
HIMMAFUSHI FISH CUTTING PLATFORM	HASAN INAN		



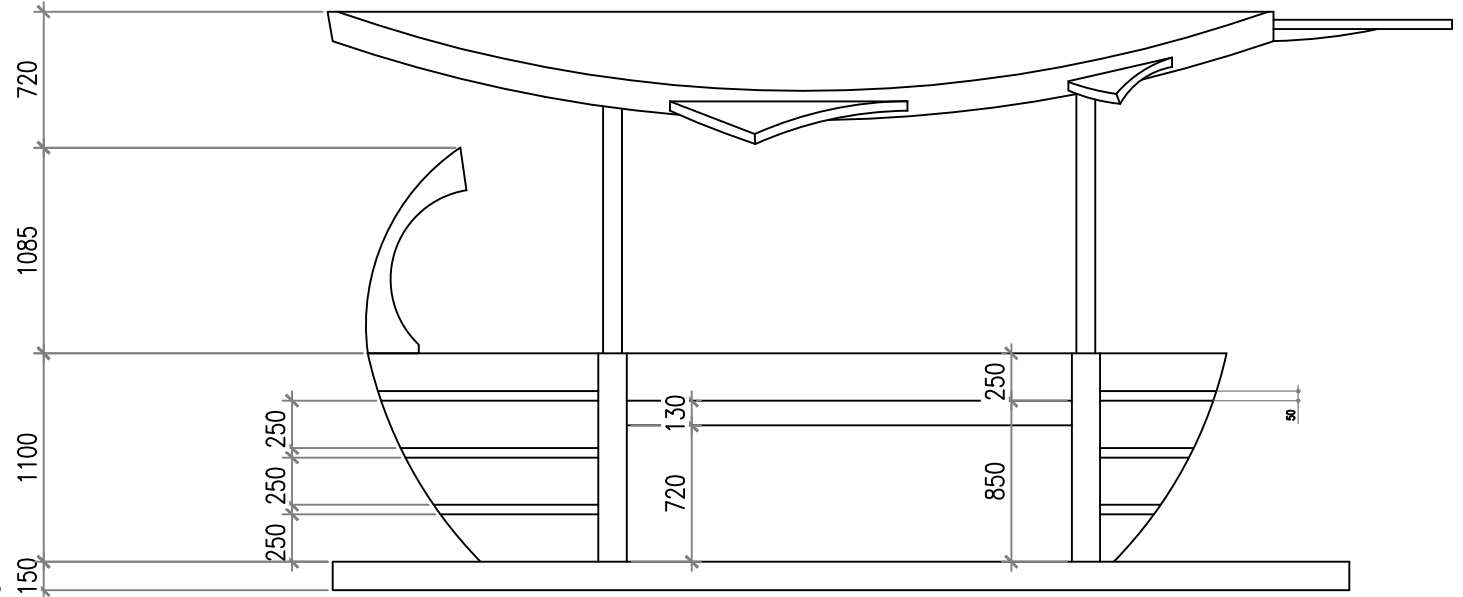
**TOP VIEW**

SCALE 1: 50



PROJECT	DESIGNER	PAGE NO	3
HIMMAFUSHI FISH CUTTING PLATFORM	HASAN INAN		

ROOF TOP LVL



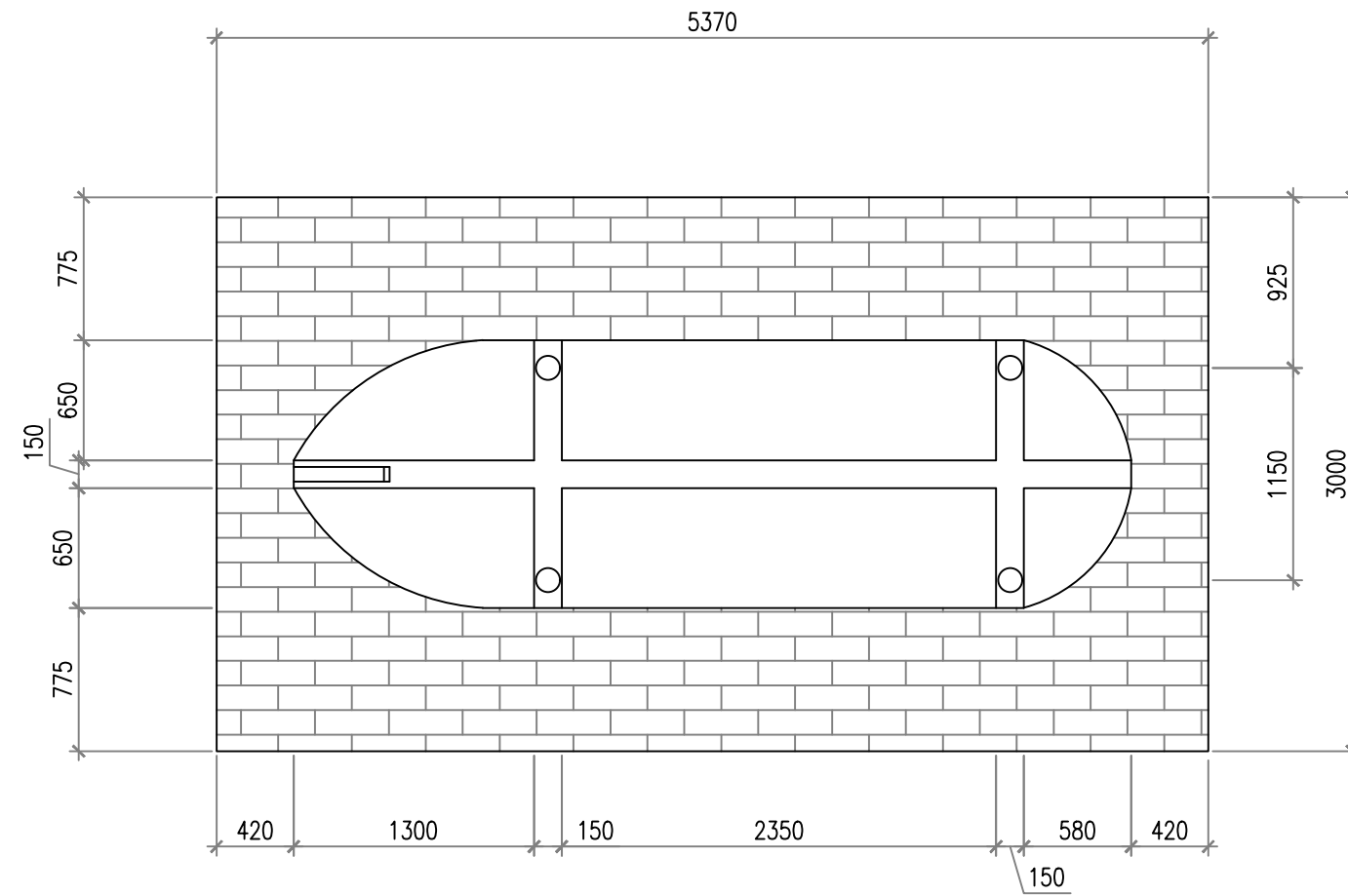
NATURAL GROUND LVL

**SIDE VIEW**

SCALE 1: 50



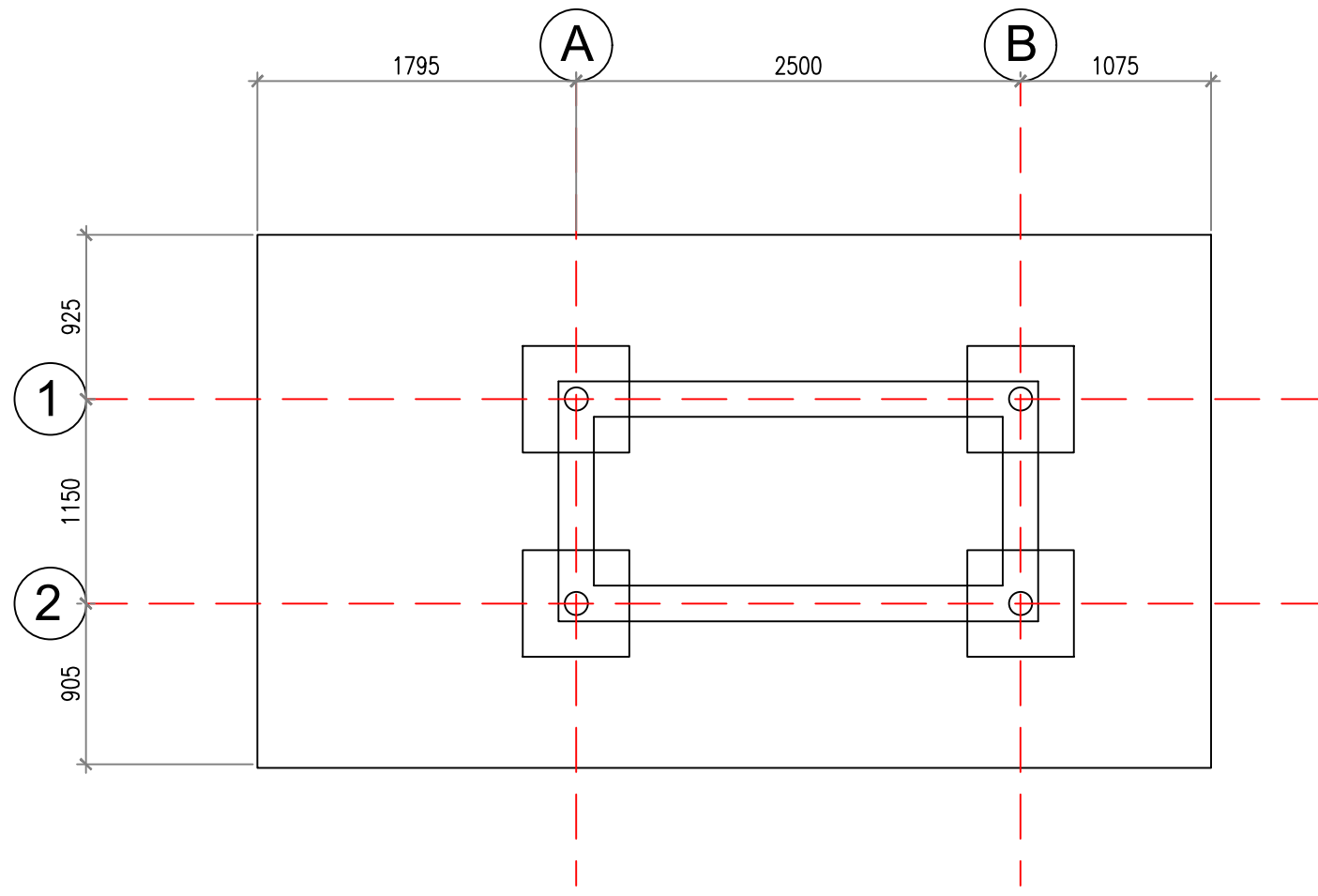
PROJECT	DESIGNER	PAGE NO	4
HIMMAFUSHI FISH CUTTING PLATFORM	HASAN INAN		



## FLOOR PLAN

SCALE 1: 50

PROJECT	DESIGNER	PAGE NO	5
HIMMAFUSHI FISH CUTTING PLATFORM	HASAN INAN		



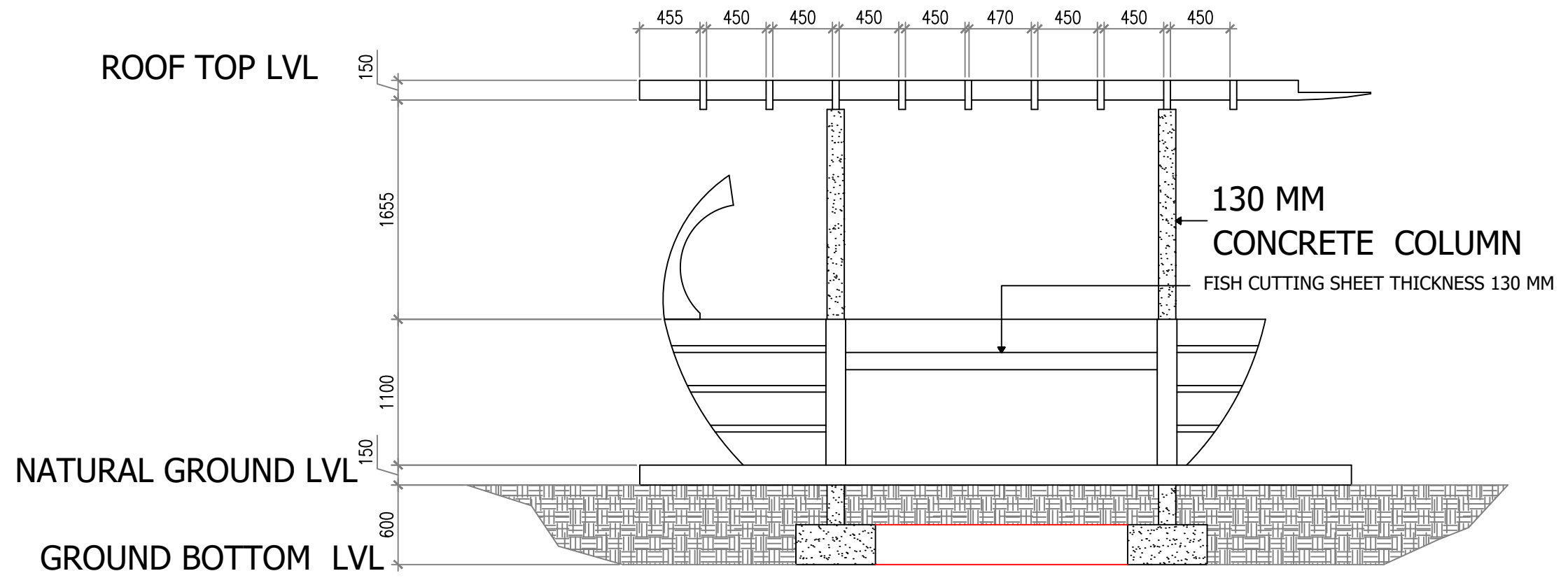
# FOUNDATION PLAN

SCALE 1: 50



PROJECT	DESIGNER	PAGE NO	6
HIMMAFUSHI FISH CUTTING PLATFORM	HASAN INAN		





NOTE :



Tiles which is used wooden pattern tiles

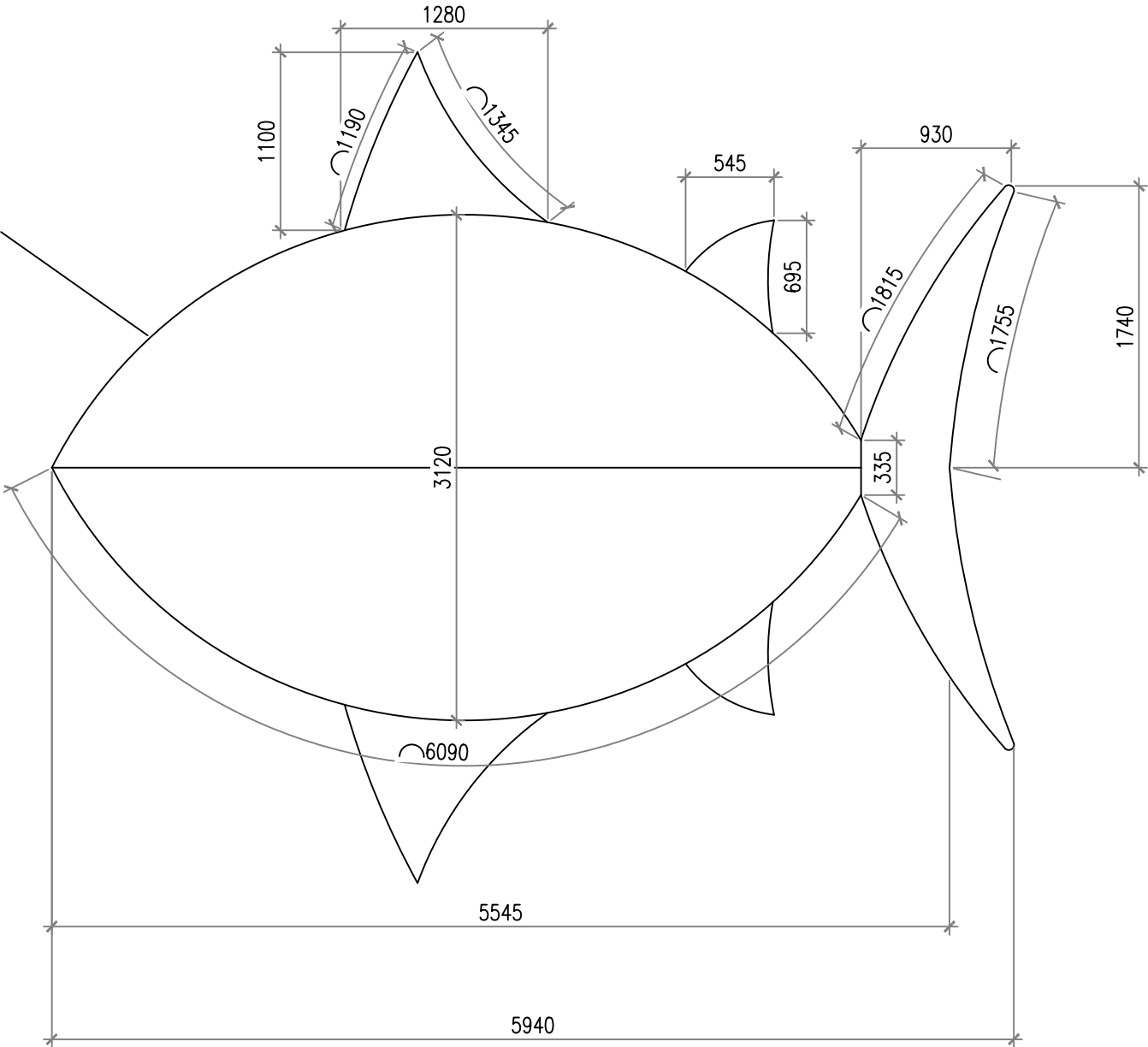


**SECTION**

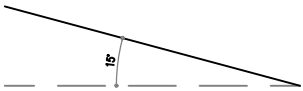
SCALE 1: 50

PROJECT	DESIGNER	PAGE NO	7
HIMMAFUSHI FISH CUTTING PLATFORM	HASAN INAN		

FIBER SHEET



NOTE :  
Roof slope angle 15°



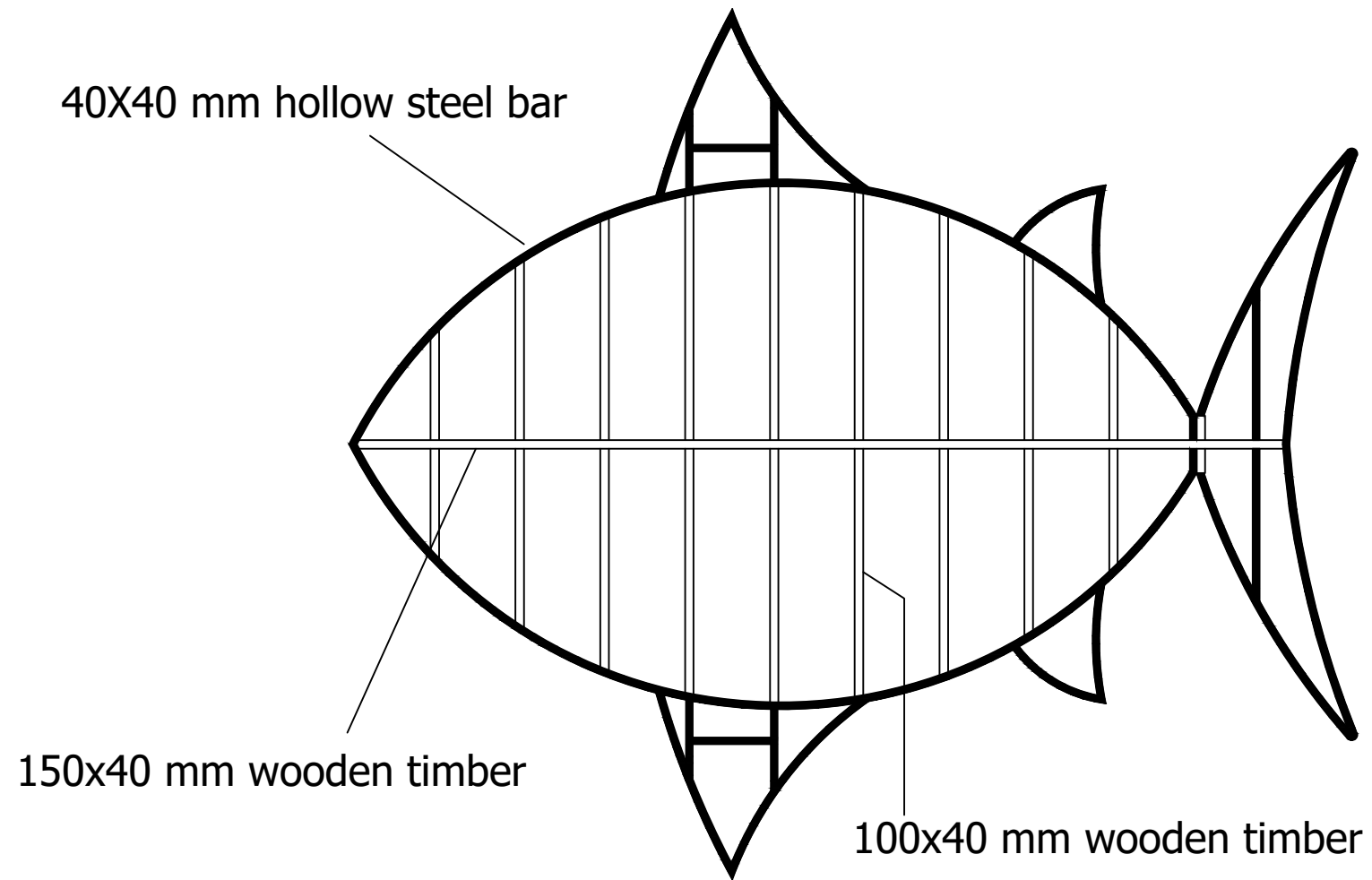
ROOFING FIBER SHEET THICKNESS OF 3 MM



**ROOF PLAN**

SCALE 1: 50

PROJECT	DESIGNER	PAGE NO	8
HIMMAFUSHI FISH CUTTING PLATFORM	HASAN INAN		



NOTE :

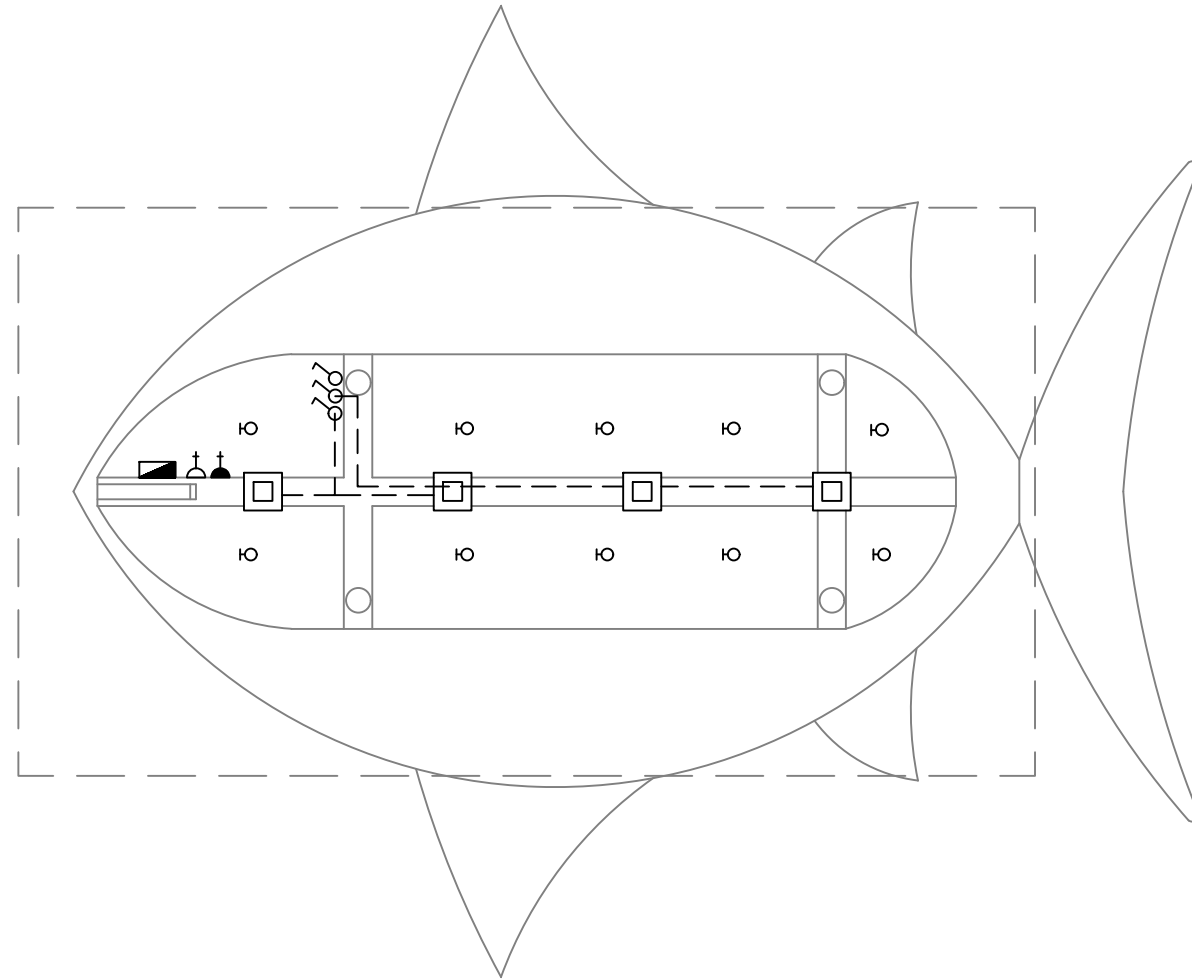
- roof concept is fish and the materials for fins used 40 x 40 mm steel bar
- main body of roof is build with timber
- For top of roof fiber sheet is blue color
- For ceiling fiber sheet is light blue color



**ROOF STRUCTURE**

SCALE 1: 50

PROJECT	DESIGNER	PAGE NO	9
HIMMAFUSHI FISH CUTTING PLATFORM	HASAN INAN		



LIGHTING LEGENDS	
SYMBOL	DESCRIPTION
	CEILING LIGHT
	WATER PROOF SPOT LIGHT
	ONE WAY 2 GANG SWITCH
	DISTRIBUTION BOARD
	15A SINGLE GANG SOCKET
	13A SINGLE GANG SOCKET

NOTE :  
WATER PROOF SPOT LIGHT QUANTITY IS 18

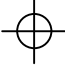
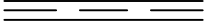
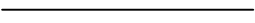
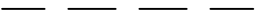
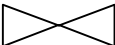

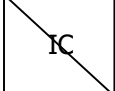


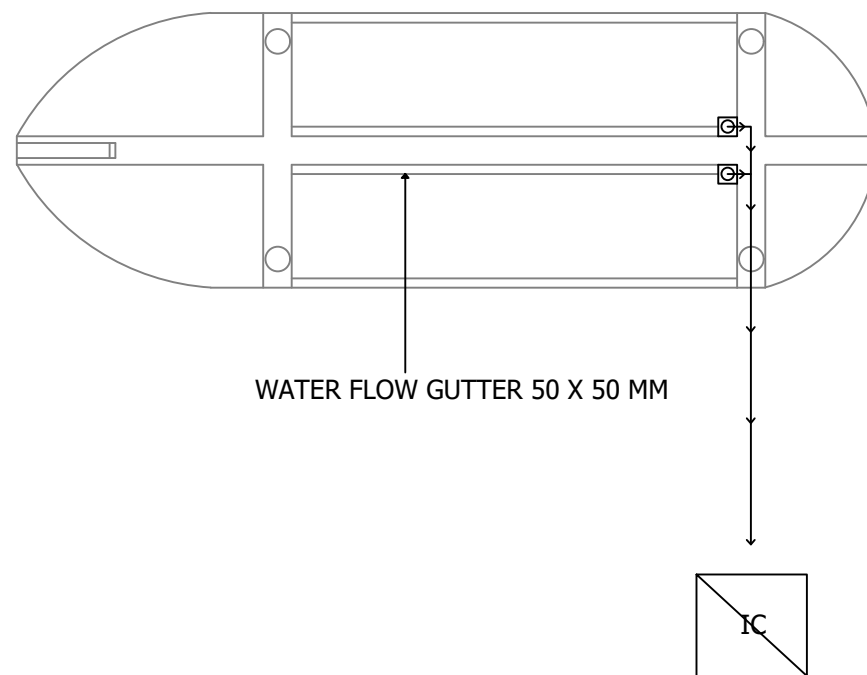
## ELECTRIC LAYOUT

SCALE 1: 50

PROJECT	DESIGNER	PAGE NO	10
HIMMAFUSHI FISH CUTTING PLATFORM	HASAN INAN		

## PLUMBING LEGEND

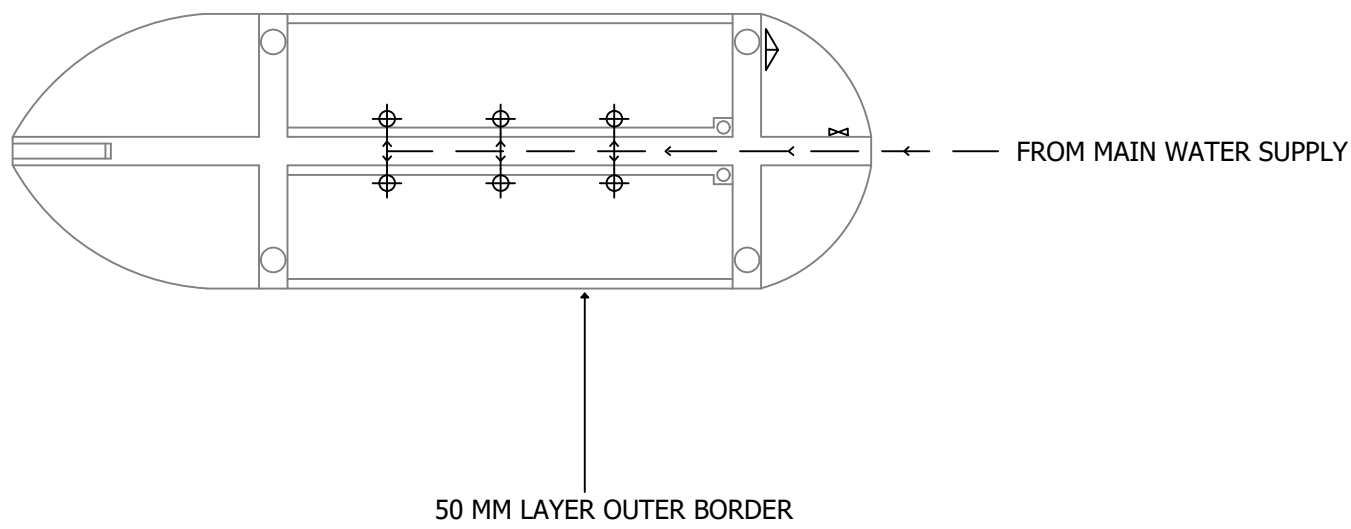
SYMBOL	DESCRIPTION
	FAUCET/TAP
	DIA 100 WASTE PIPE
	DIA 50 WASTE PIPE
	DIA 50/25/12 FRESH WATER SUPPLY
	GATE VALVE
	FLOOR DRAIN
	INSPECTION CHAMBER



## SAVAGE LAYOUT

SCALE 1: 50

PROJECT	DESIGNER	PAGE NO	11
HIMMAFUSHI FISH CUTTING PLATFORM	HASAN INAN		



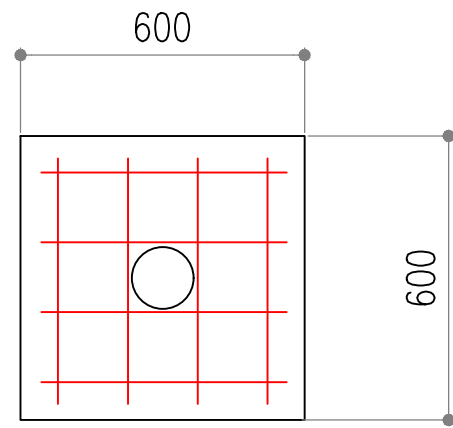
## PLUMBING LEGEND

SYMBOL	DESCRIPTION
	FAUCET/TAP QTY 6
	DIA 100 WASTE PIPE
	DIA 50 WASTE PIPE
	DIA 50/25/12 FRESH WATER SUPPLY
	GATE VALVE
	FLOOR DRAIN QTY 2
	INSPECTION CHAMBER
	ELASTIC WATER PIPE

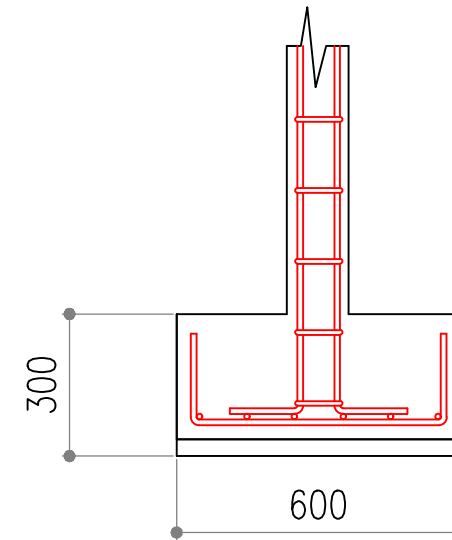
## PLUMBING LAYOUT

SCALE 1: 50

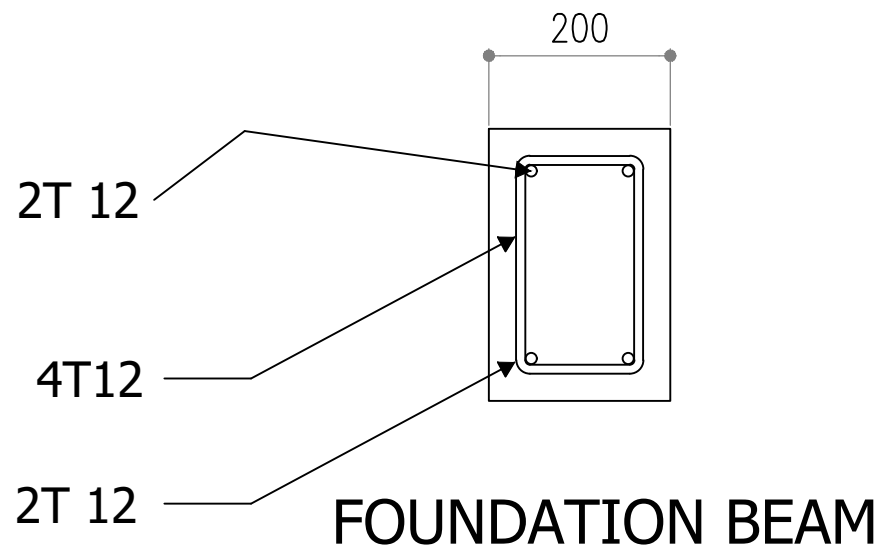
PROJECT	DESIGNER	PAGE NO	12
HIMMAFUSHI FISH CUTTING PLATFORM	HASAN INAN		



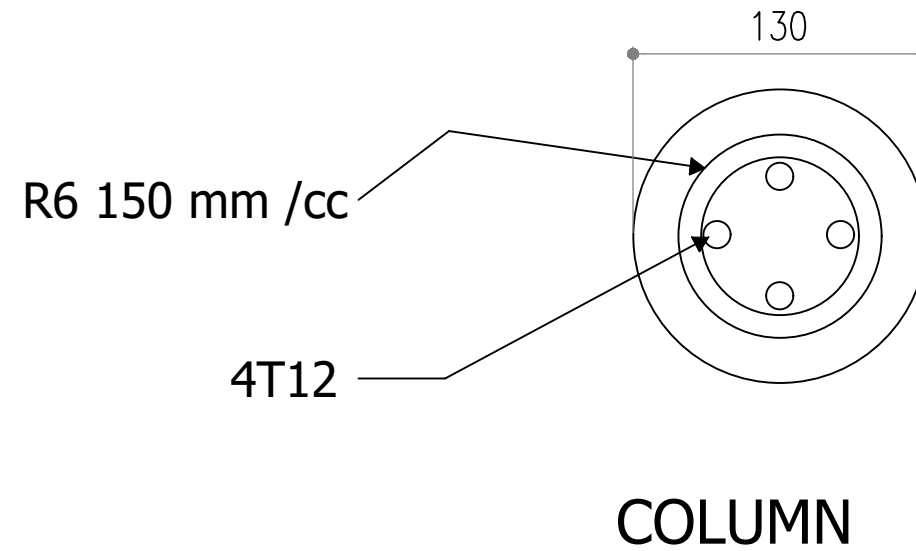
FOUNDATION PAD PLAN



FOUNDATION PAD SECTION



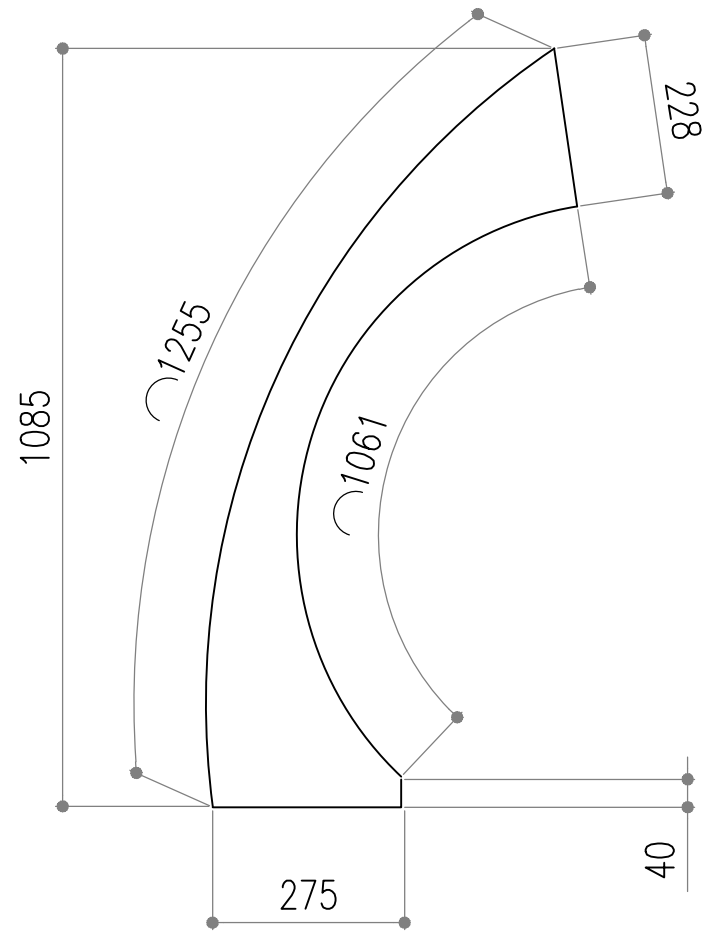
FOUNDATION BEAM



COLUMN

FOUNDATION DETAILS

PROJECT	DESIGNER	PAGE NO	13
HIMMAFUSHI FISH CUTTING PLATFORM	HASAN INAN		



THICKNESS IS 80 MM CONCRETE

## OTHER DETAILS

PROJECT	DESIGNER	PAGE NO	14
HIMMAFUSHI FISH CUTTING PLATFORM	HASAN INAN		