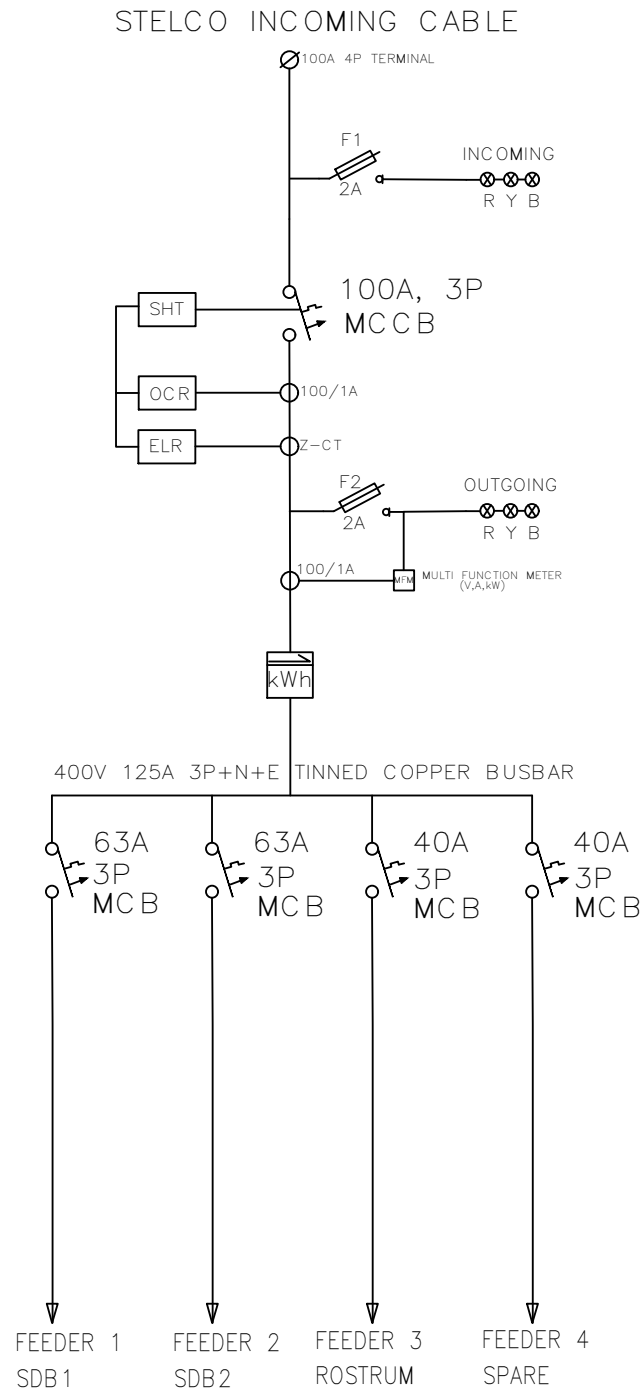


1 2 3 4 5 6 7 8 9

A
B
C
D
E
F

A
B
C
D
E
F



				PROJECT	TITLE	Page: -/-
					MAIN POWER DISTRIBUTION PANEL	T.Sheet: -
					SLD	
Rev	Date	Detail	Drawing by:	Checked by:		
	24.05.2024	PRELIM. DESIGN				

1 2 3 4 5 6 7 8 9

A

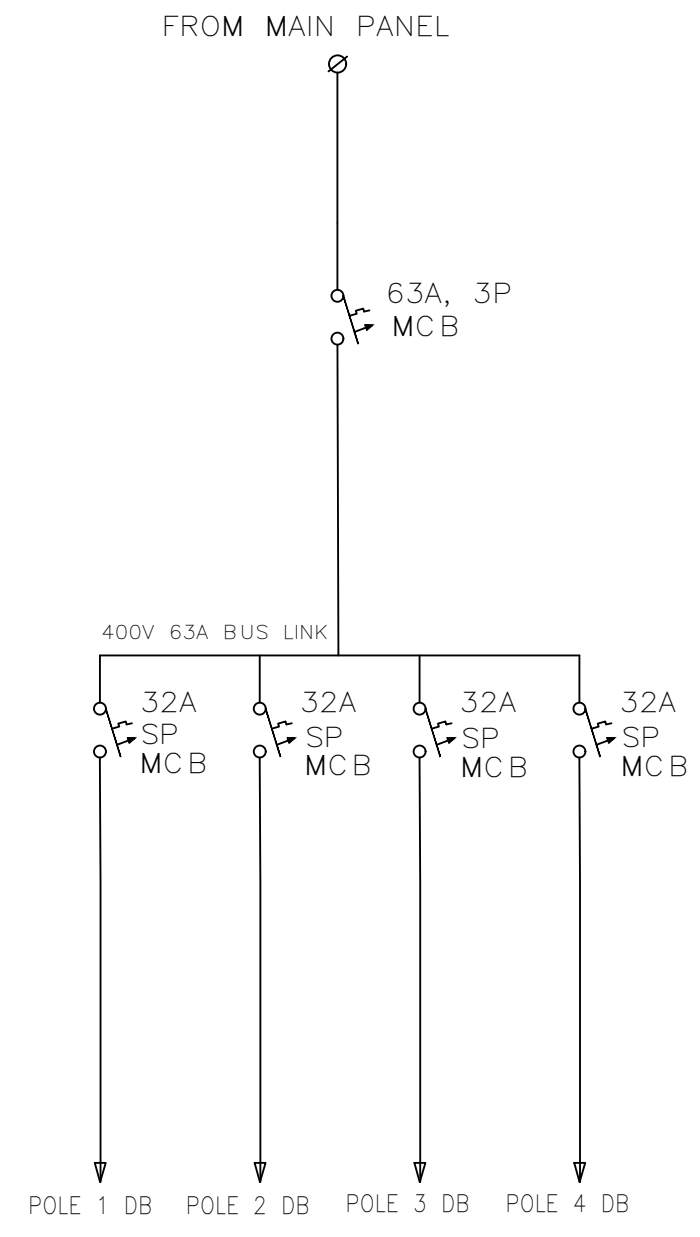
B

C

D

E

F

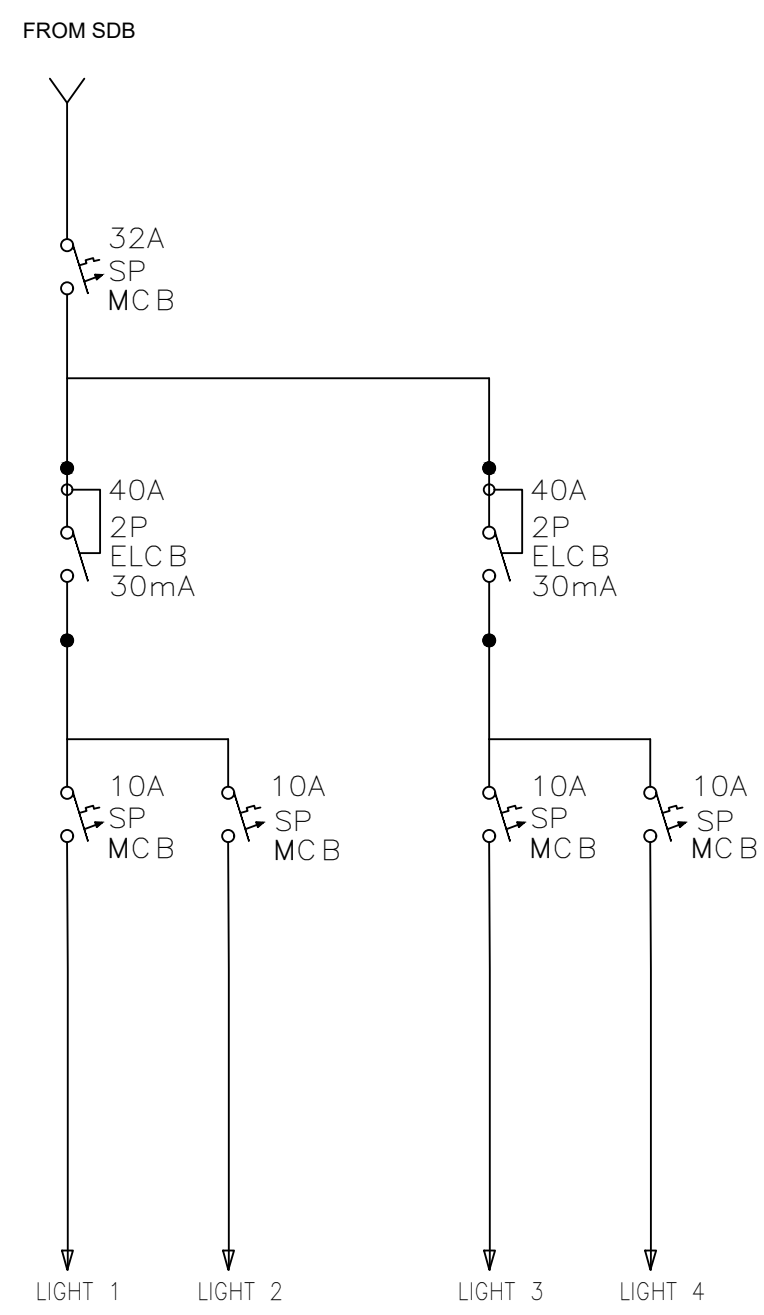


					PROJECT	TITLE	Page: -/-
						TYPICAL SDB DESIGN	T.Sheet: -
Rev	Date	Detail	Drawing by:	Checked by:			
	24.05.2024	PRELIM. DESIGN	S. HAMEED (120011)	A. NIYAZ (10462)			

1 2 3 4 5 6 7 8 9

A
B
C
D
E
F

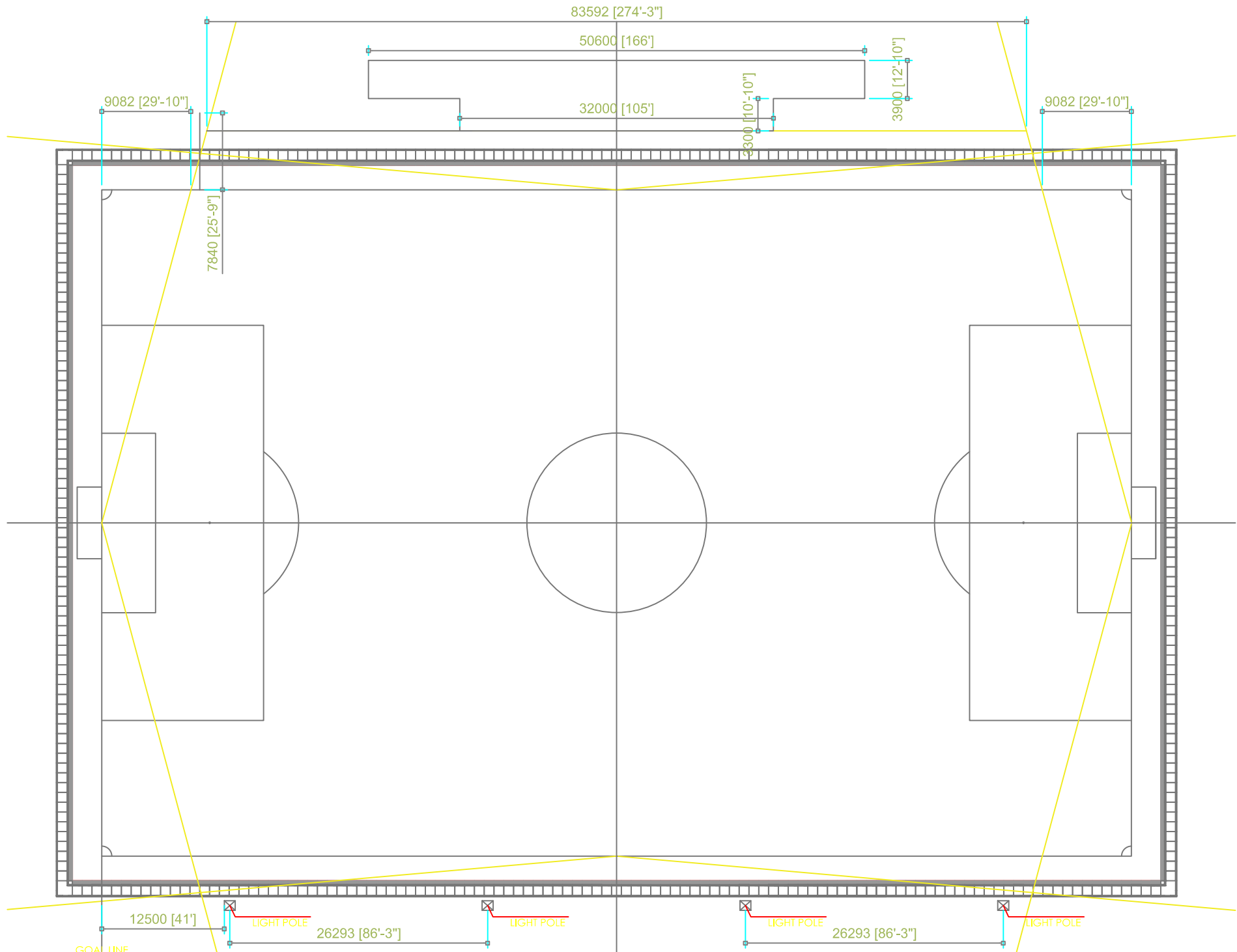
A
B
C
D
E
F



					PROJECT
24.05.2024	PRELIM DESIGN	S. HAMEED (120011)	A. NIYAZ (10462)		
Rev	Date	Detail	Drawing by:	Checked by:	

TITLE	TYPICAL POLE DB
Page: -/-	
T.Sheet: -	

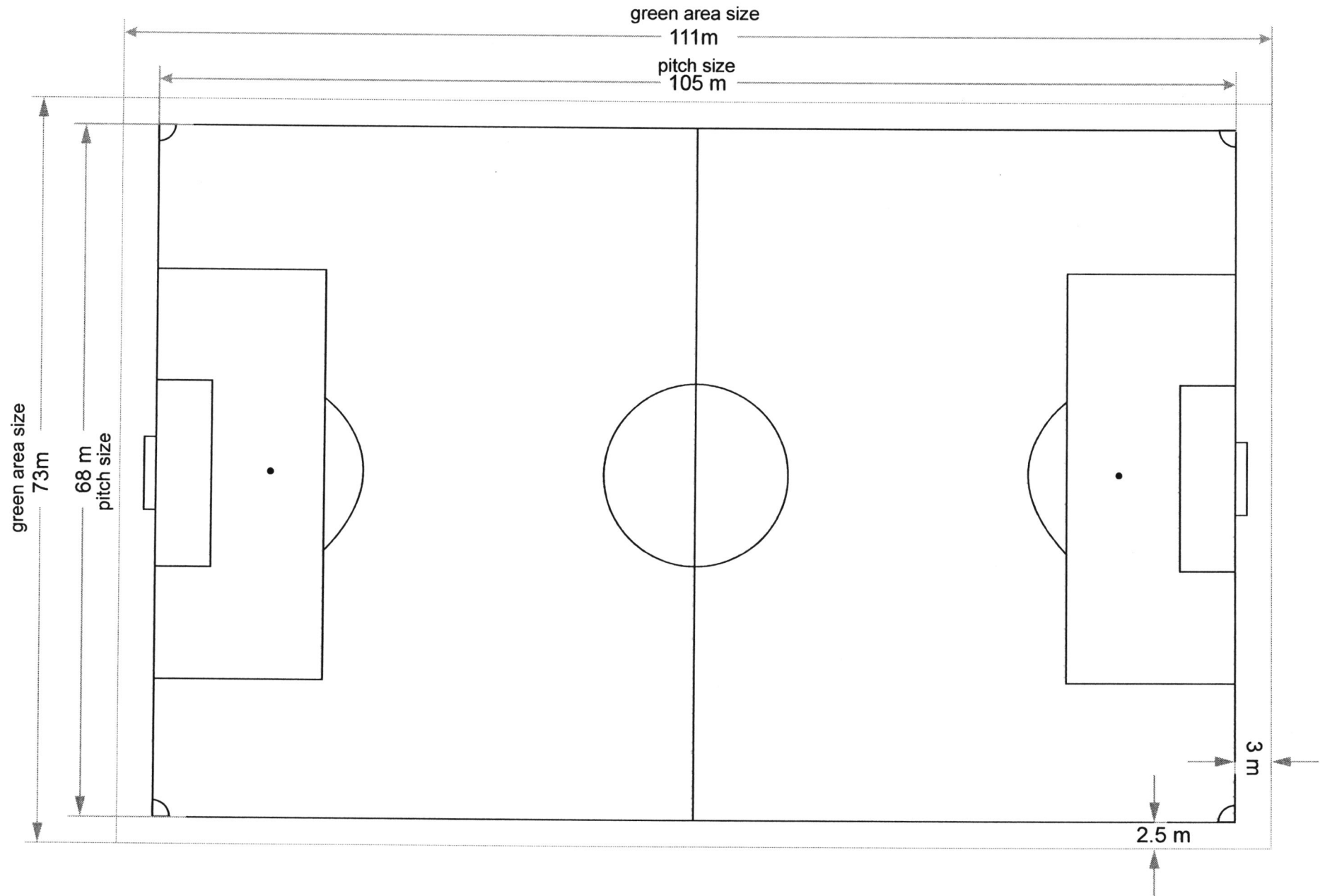


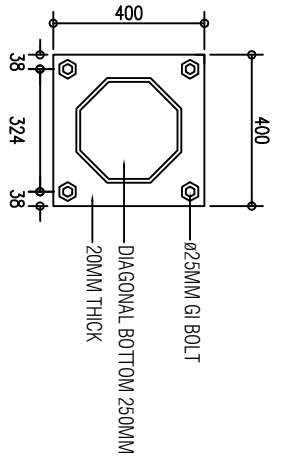


STANDARD ARTIFICIAL TURF FULL PITCH PLAN

POSITIONING OF LIGHT POLES WILL BE MIRRORED TO THE OTHER SIDE OF THE PITCH

STANDARD FOOTBALL GROUND SIZE

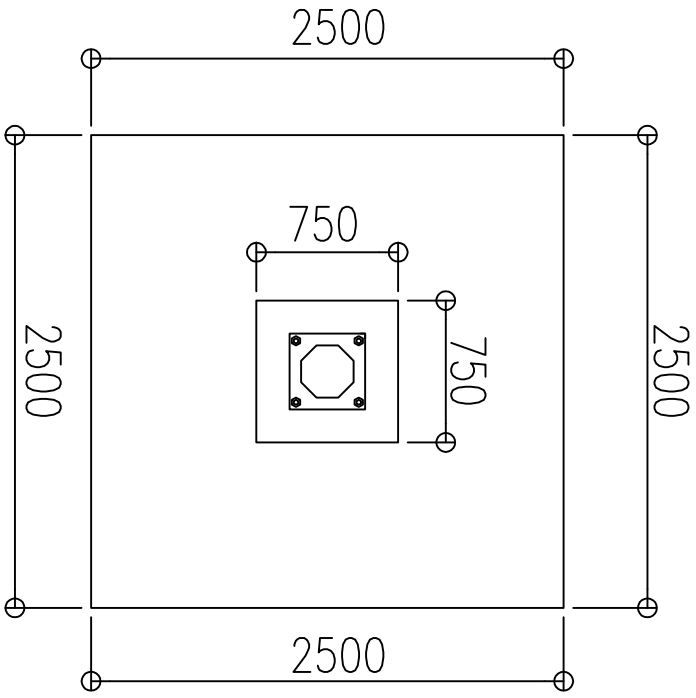




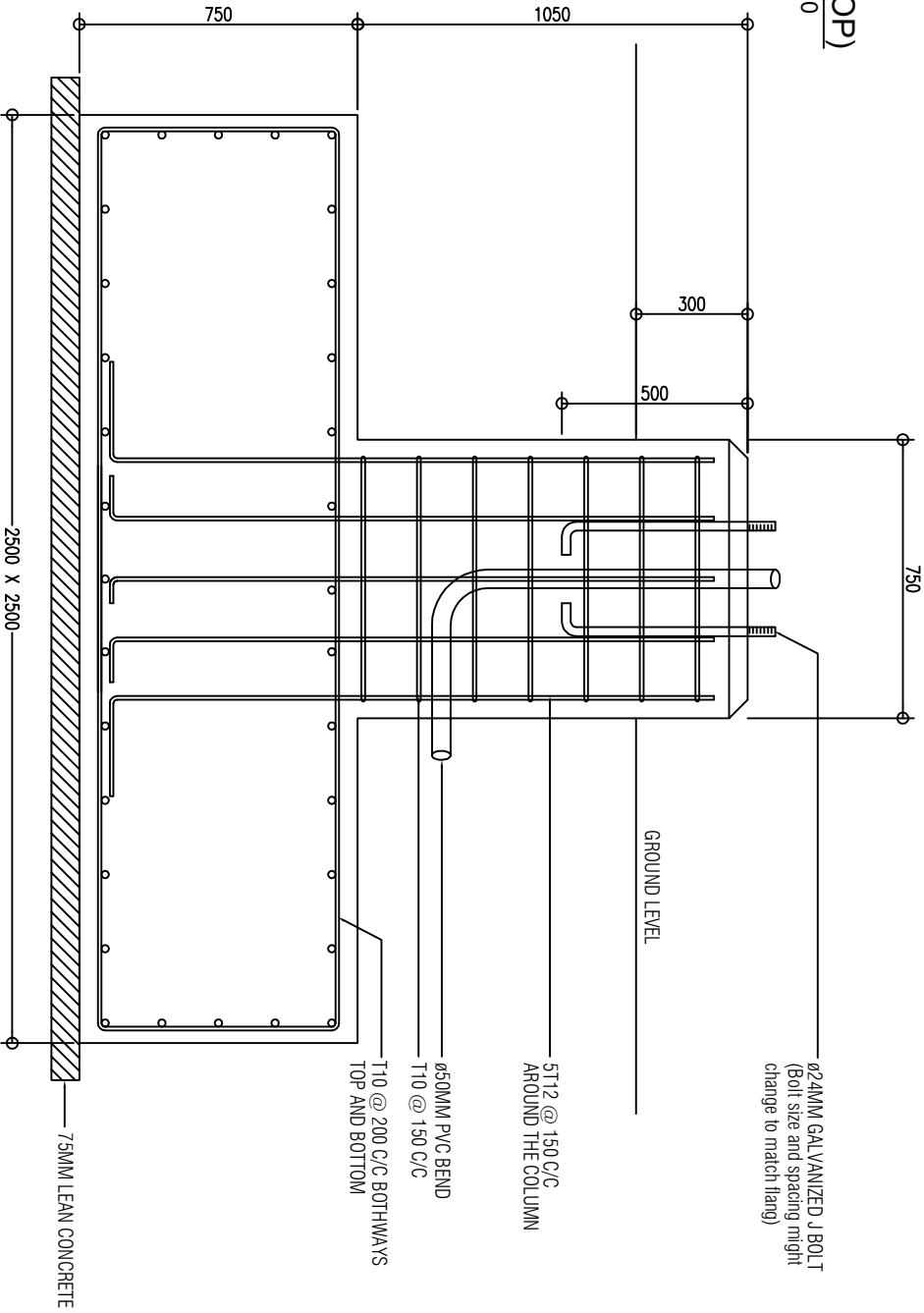
MAST FLANG (BOTTOM)
SCALE - 1:20



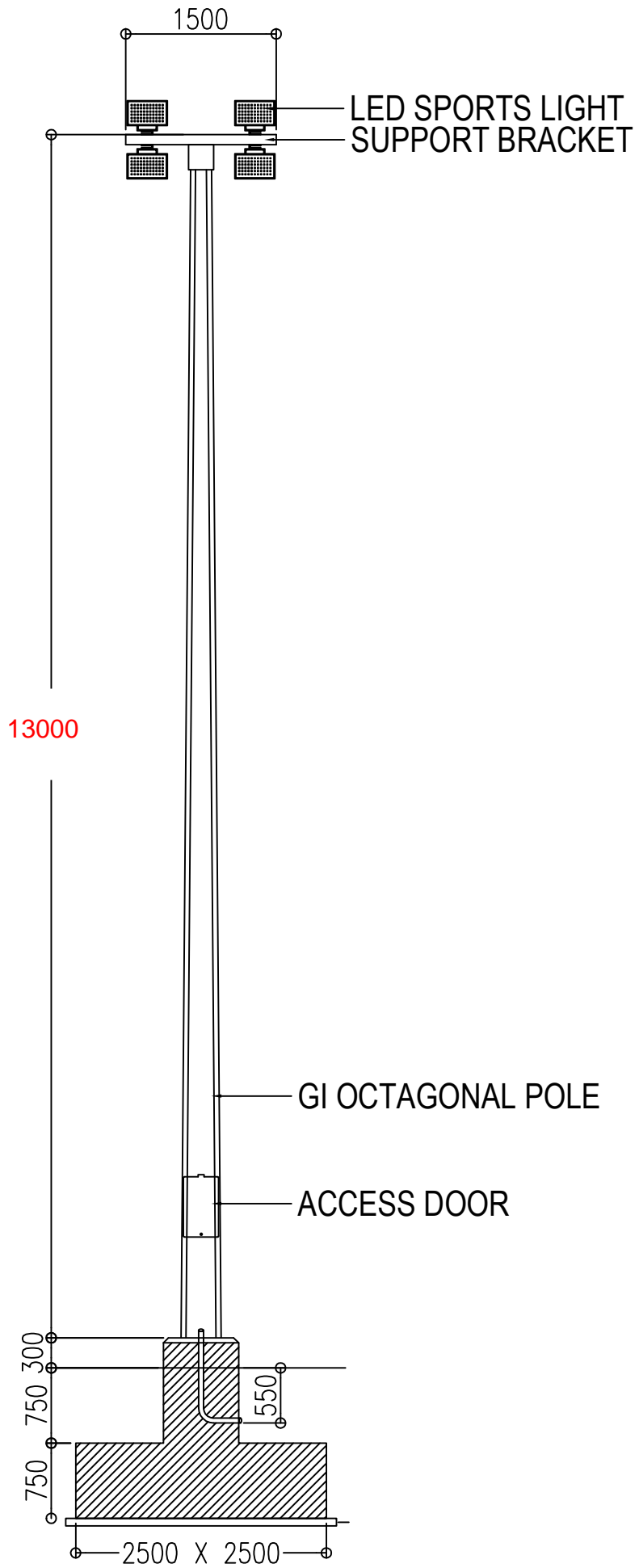
MAST (TOP)
SCALE - 1:20



PAD PLAN LAYOUT
SCALE - 1:50



PAD DETAILS
SCALE - 1:20



ELEVATION