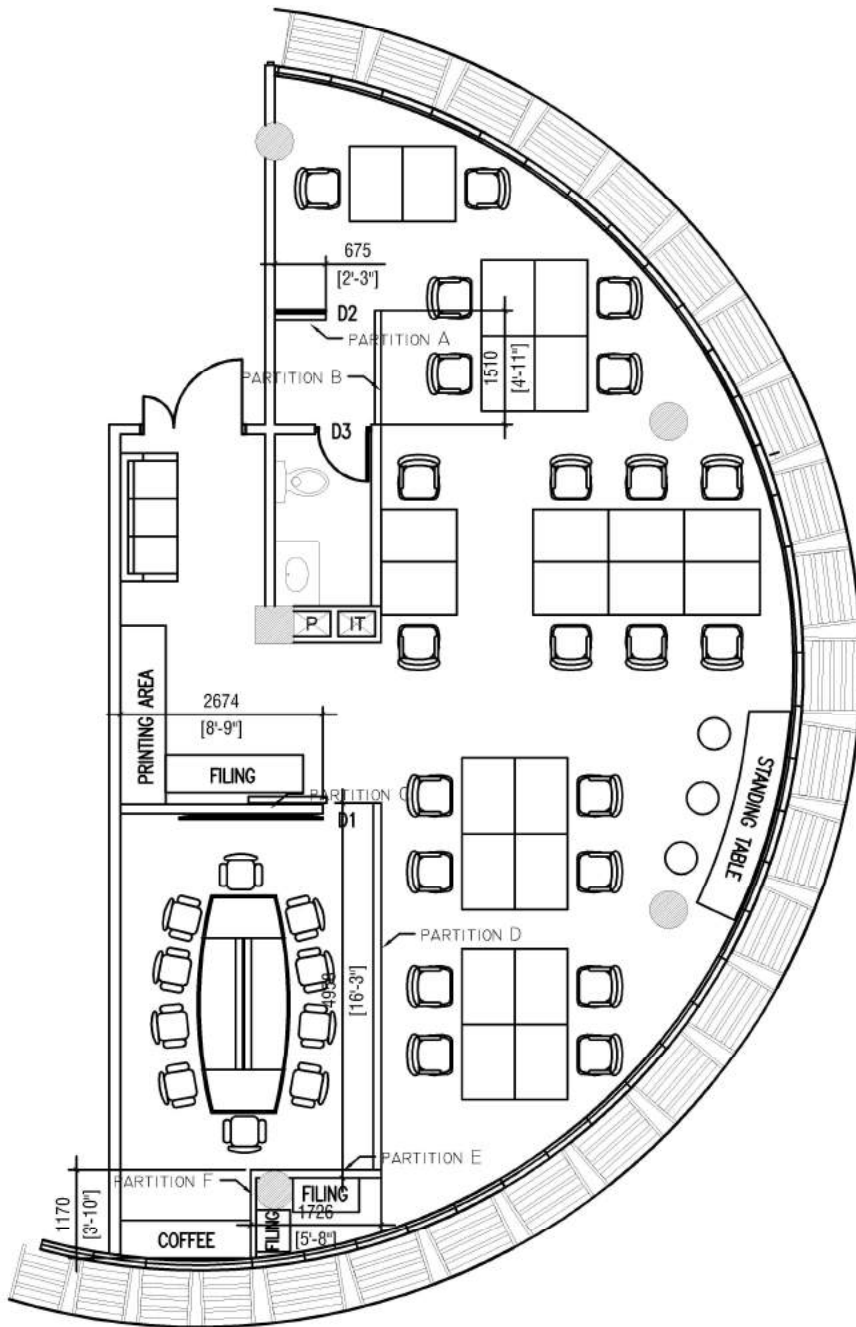


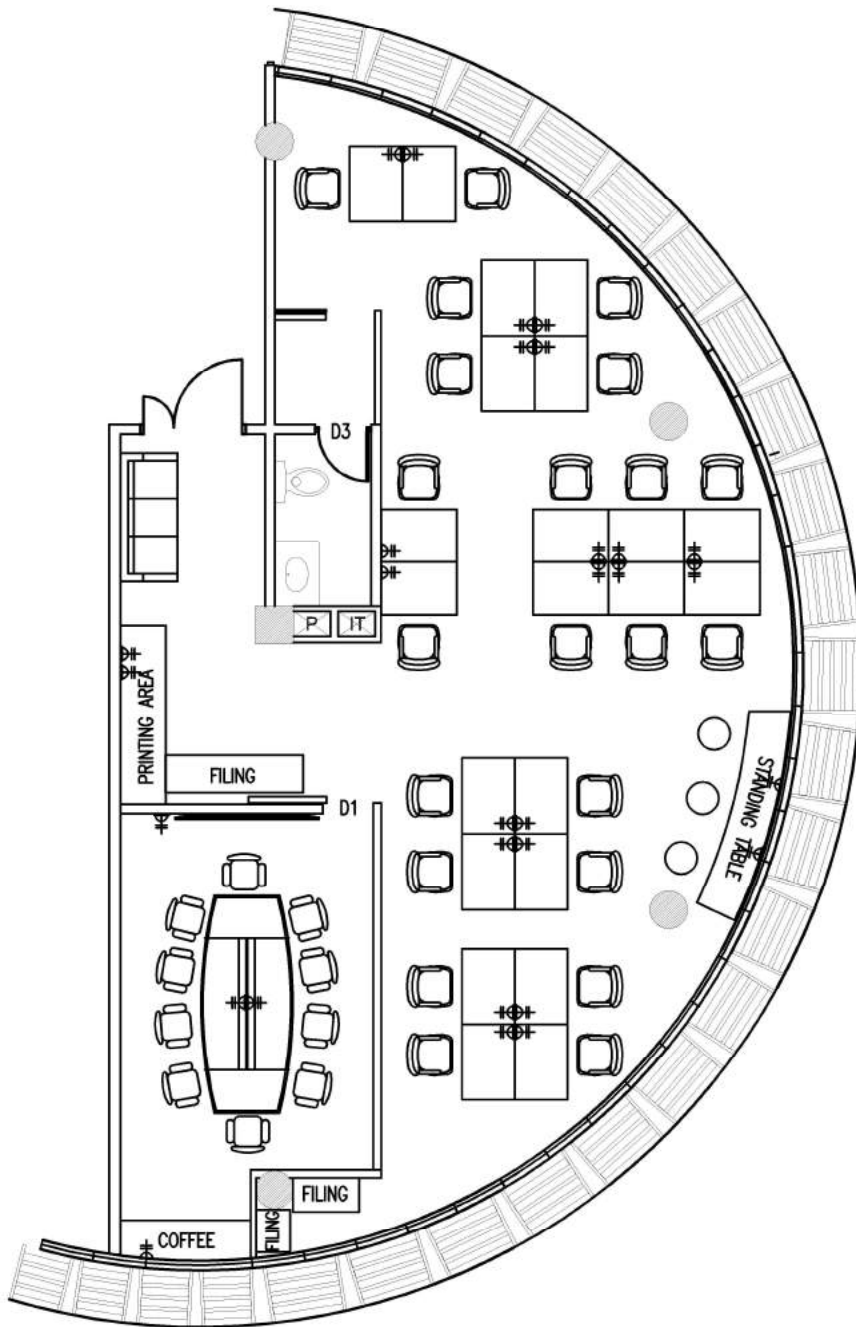
PROJECT:
4TH FLOOR RENOVATION

CLIENT
MINISTRY OF ECONOMIC
DEVELOPMENT

EXISTING FLOOR PLAN
NOT TO SCALE

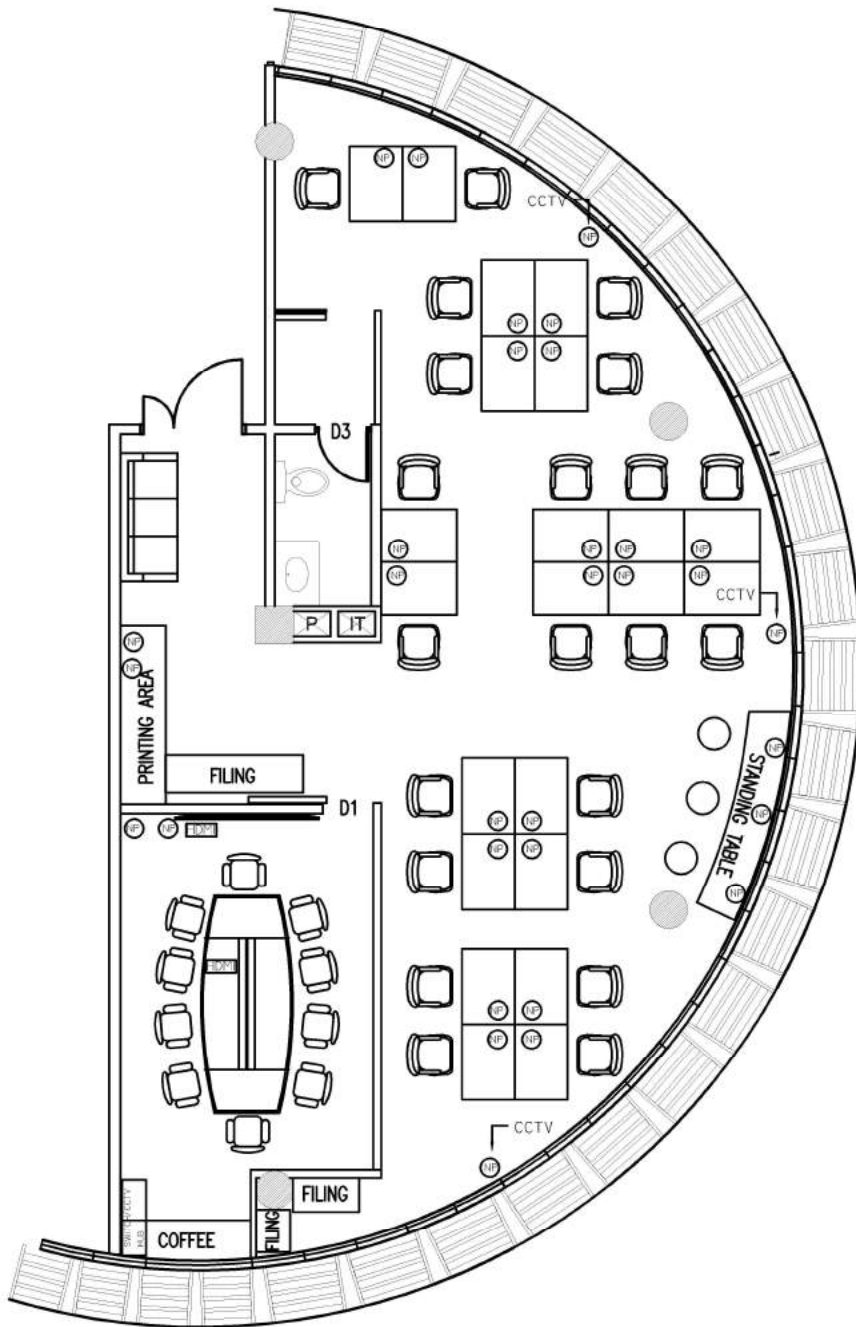


PROJECT: 4TH FLOOR RENOVATION
CLIENT MINISTRY OF ECONOMIC DEVELOPMENT
PROPOSED FLOOR PLAN
SCALE 1:100



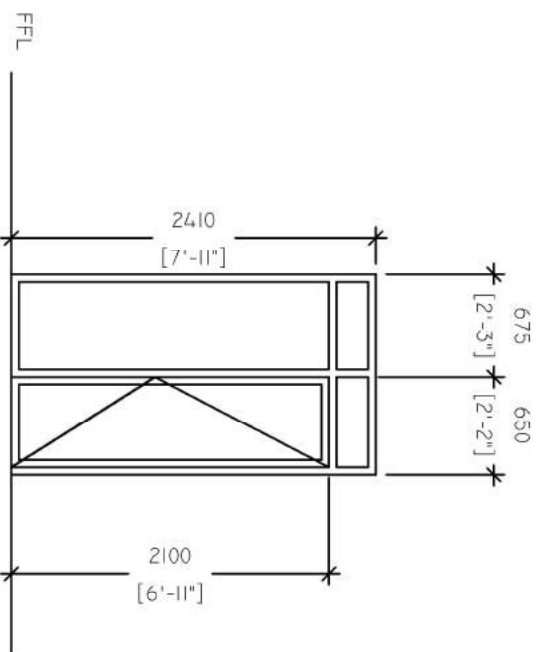
- ⊕ 1 GANG 13A SOCKET OUTLET
- ⊕ 2 GANG 13A SOCKET OUTLET

PROJECT: 4TH FLOOR RENOVATION
CLIENT MINISTRY OF ECONOMIC DEVELOPMENT
ELECTRICAL PLAN
SCALE 1:100



- 1
1 GANG NETWORK POINT
- HDMI POINT**

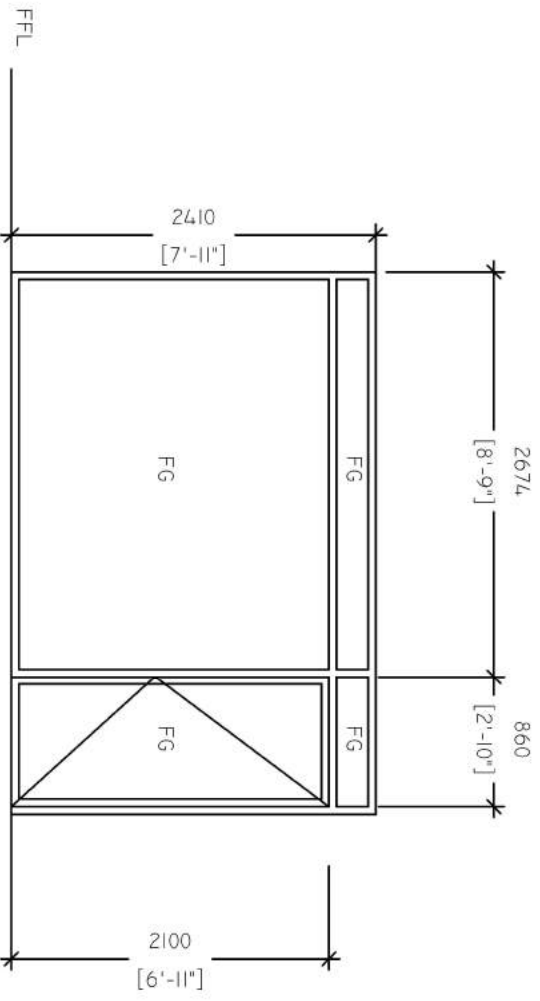
PROJECT: 4TH FLOOR RENOVATION
CLIENT MINISTRY OF ECONOMIC DEVELOPMENT
NETWORK PLAN SCALE 1:100



NOTE:
CONTRACTOR TO TAKE SITE MEASUREMENTS

PARTITION 'A' - TIMBER PARTITION WITH SLIDING DOOR
1:50

<p>PROJECT: 4TH FLOOR RENOVATION</p>
<p>CLIENT MINISTRY OF ECONOMIC DEVELOPMENT</p>
<p>PARTITION DETAILS SCALE 1:50</p>



ELEVATION

NOTE:
 GSD - GLASS SWING DOOR
 FG - FIXED GLASS PANEL
 ALL GLASS TO BE 6MM THICK.

PARTITION 'C' - GLASS PARTITION WITH SLIDING DOOR
 1:50

PROJECT: 4TH FLOOR RENOVATION
CLIENT MINISTRY OF ECONOMIC DEVELOPMENT
PARTITION DETAILS
SCALE 1:50