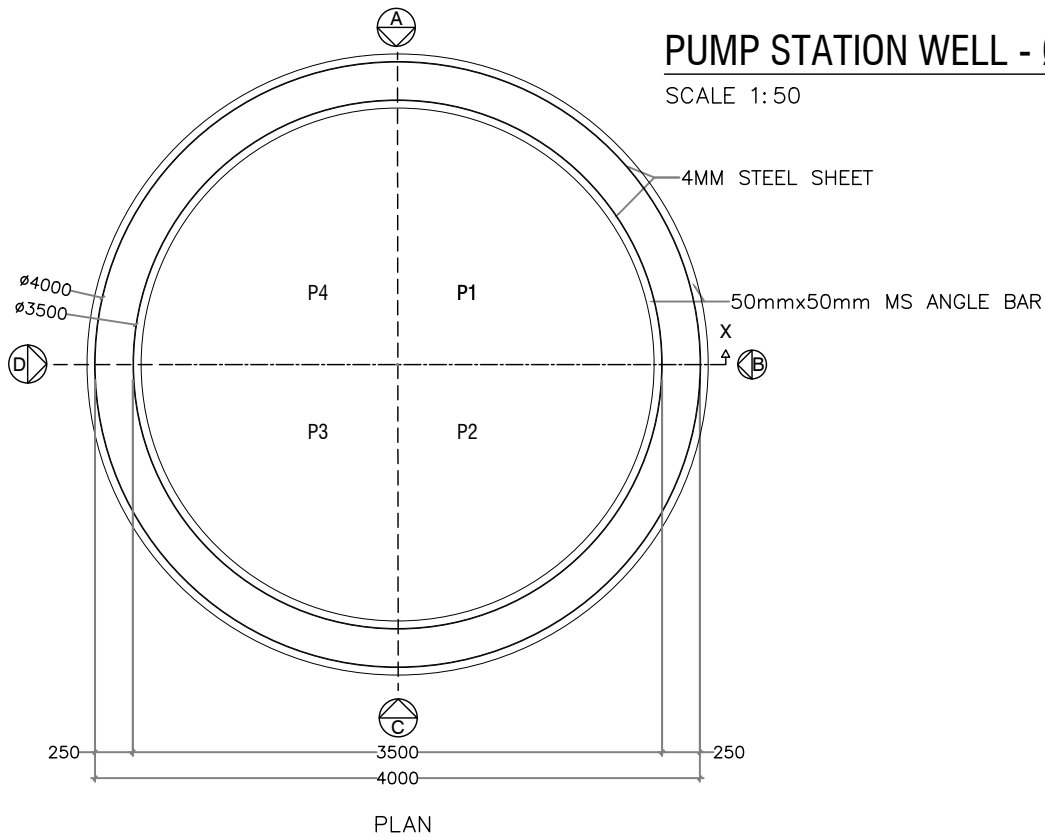
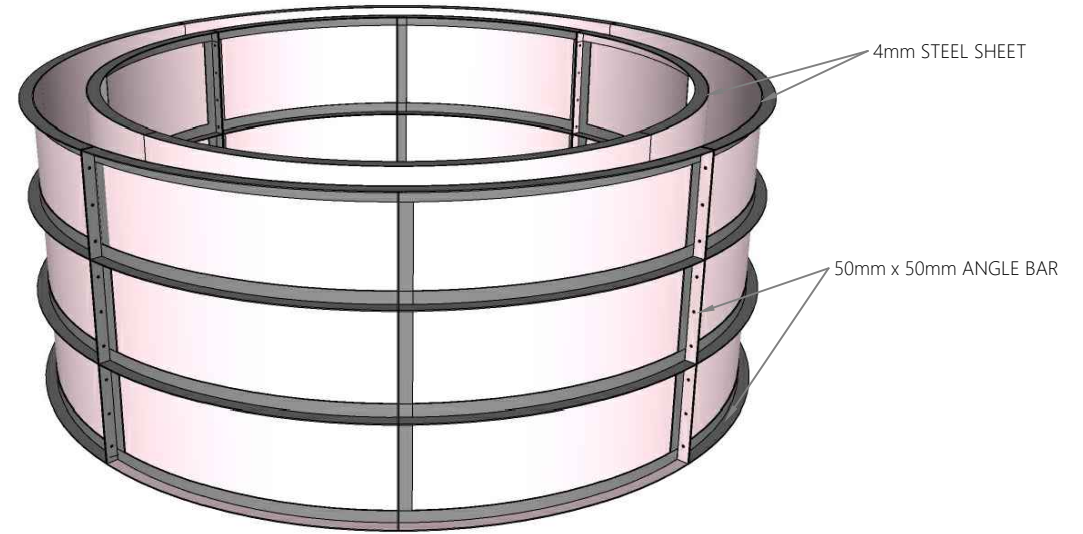


# PUMP STATION WELL - Ø3.5M

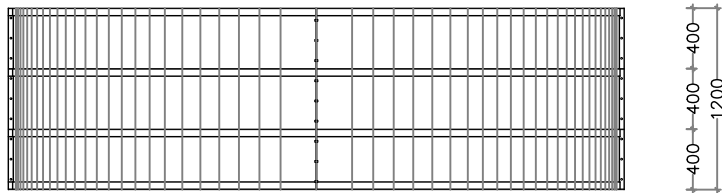
SCALE 1:50



PLAN



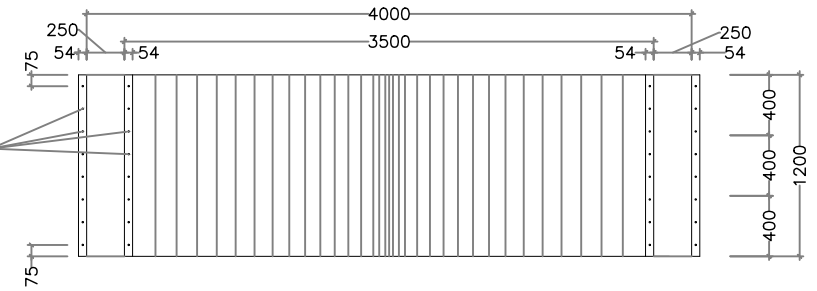
PERSPECTIVE VIEW



ELEVATION-A,B,C,D


10mm HOLE@150MM C/C

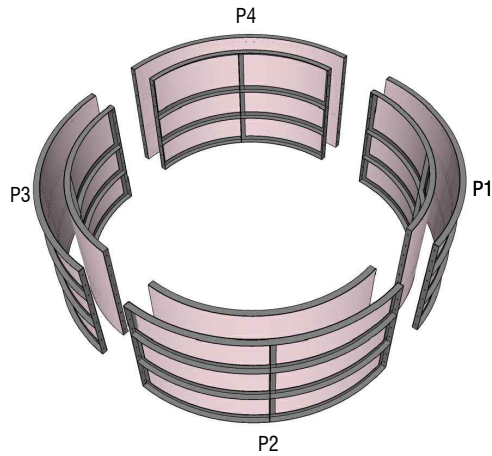
- NOTE:
- OUTER DIAMETER: 4000MM
  - INNER DIAMETER: 3500MM
  - WALL THINNESS: 250MM
  - CONCRETE MIXING RATIO: 1:2:3



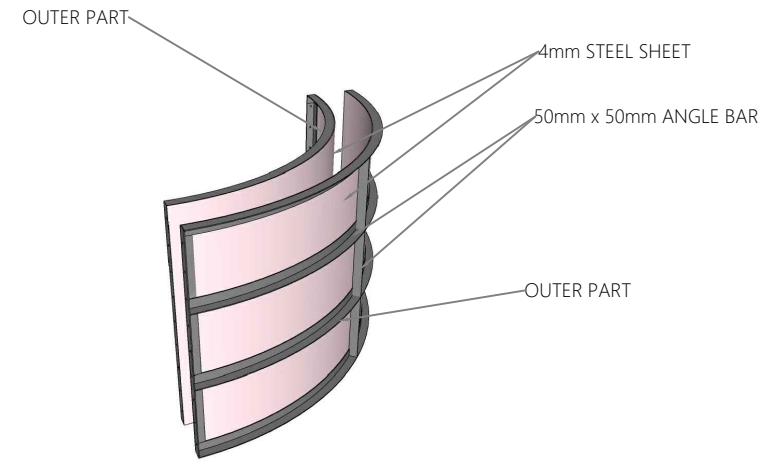
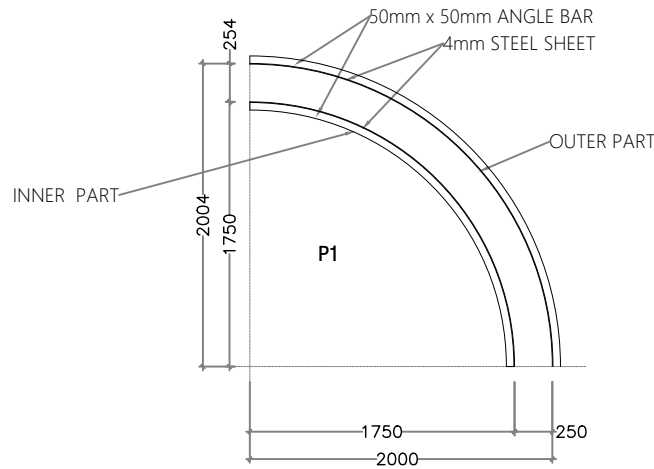
SECTION-X

## PROJECT: CAST ITEMS ; ALL ISLANDS

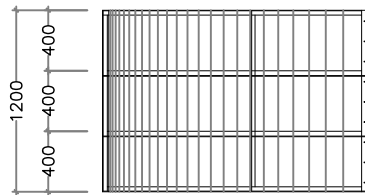
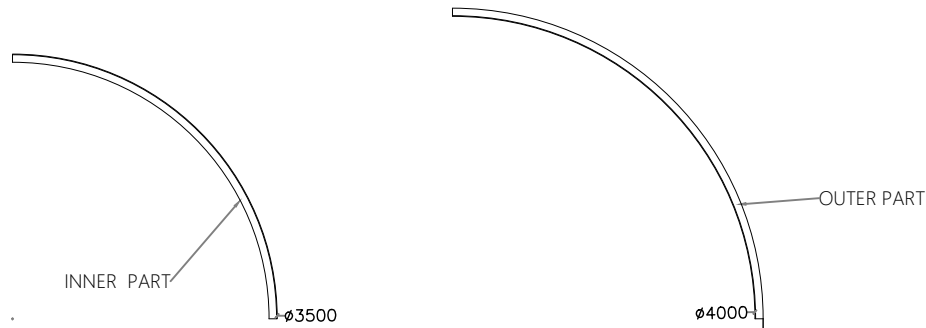
<p><b>CLIENT:</b></p> <p>MINISTRY OF NATIONAL PLANNING &amp; INFRASTRUCTURE AMEEENEE MAGU, MALE' REPUBLIC OF MALDIVES</p>	<p><b>CONTRACTOR:</b></p> <p>ROAD DEVELOPMENT CORPORATION LTD. ORCHID MAGU, MAAFANNU, MALE' REPUBLIC OF MALDIVES</p>	<p><b>DRAWING TITLE:</b></p> <p><b>PUMP STATION WELL (3.5M)</b></p>		<p>DRAWN BY: ALI MOOSA</p> <p>APPROVED BY: ALI ZAMEER</p> <p>PROJECT NO:</p> <p>DRAWING NO: 01</p> <p>SCALE: 1:50</p> <p>DATE: DEC 2022</p>
---	--	---	---	---



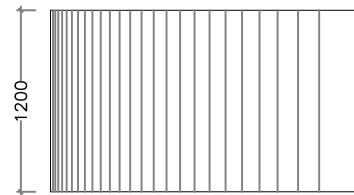
PERSPECTIVE VIEW



PERSPECTIVE VIEW



ELEVATION INNER PART



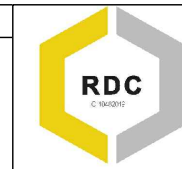
ELEVATION OUTER PART

**PROJECT: CAST ITEMS ; ALL ISLANDS**

**CLIENT:**  
 MINISTRY OF NATIONAL PLANNING & INFRASTRUCTURE  
 AMEENEE MAGU,  
 MALE'  
 REPUBLIC OF MALDIVES

**CONTRACTOR:**  
 ROAD DEVELOPMENT CORPORATION LTD.  
 ORCHID MAGU,  
 MAAFANNU, MALE'  
 REPUBLIC OF MALDIVES

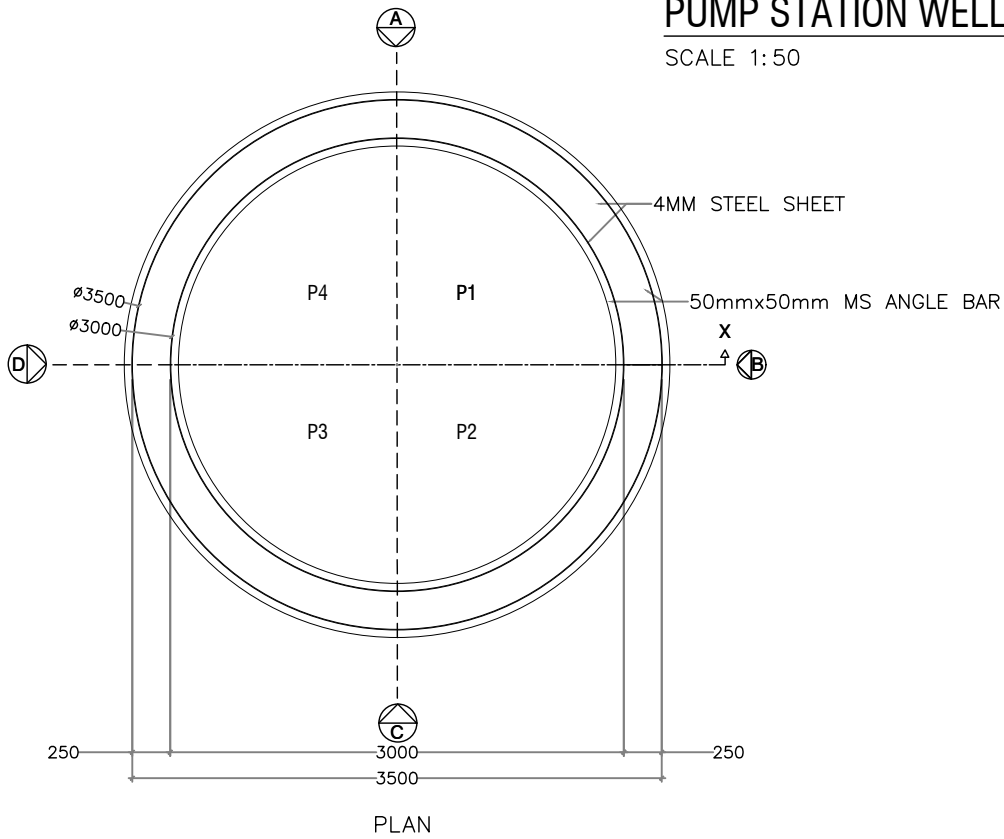
**DRAWING TITLE:**  
**PUMP STATION WELL  
 (3.5M)**



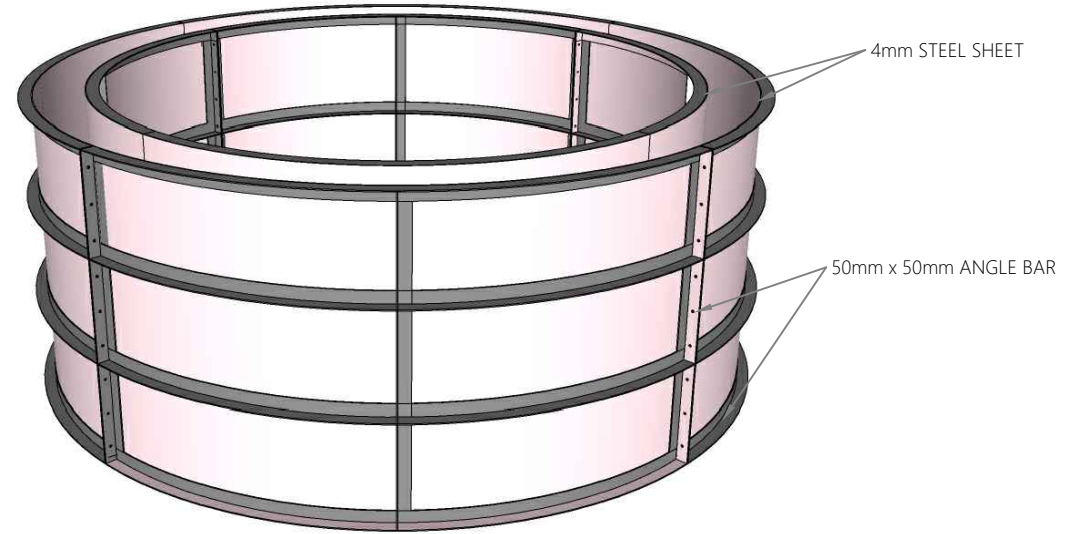
**DRAWN BY:** ALI MOOSA  
**APPROVED BY:** ALI ZAMEER  
**PROJECT NO.:**  
**DRAWING NO.:** 02  
**SCALE:** 1:50  
**DATE:** DEC 2022

# PUMP STATION WELL - Ø3M

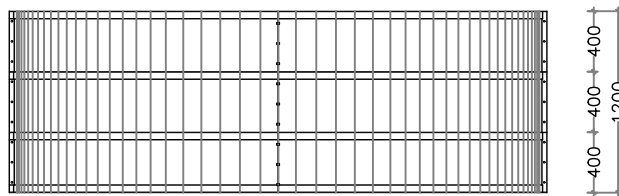
SCALE 1:50



PLAN



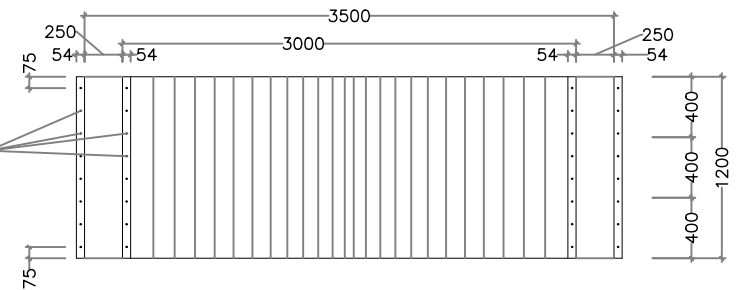
PERSPECTIVE VIEW



ELEVATION - A,B,C,D


10mm HOLE@150MM C/C

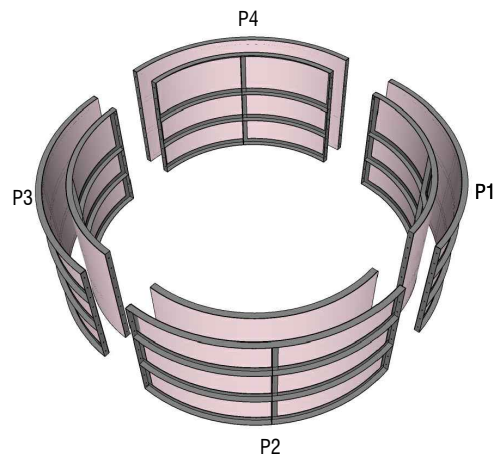
- NOTE:
- OUTER DIAMETER: 3500MM
  - INNER DIAMETER: 3000MM
  - WALL THINNESS: 250MM
  - CONCRETE MIXING RATIO: 1:2:3



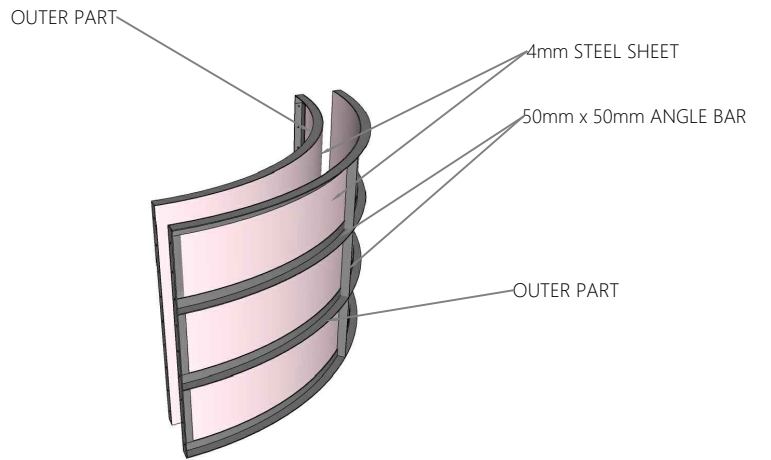
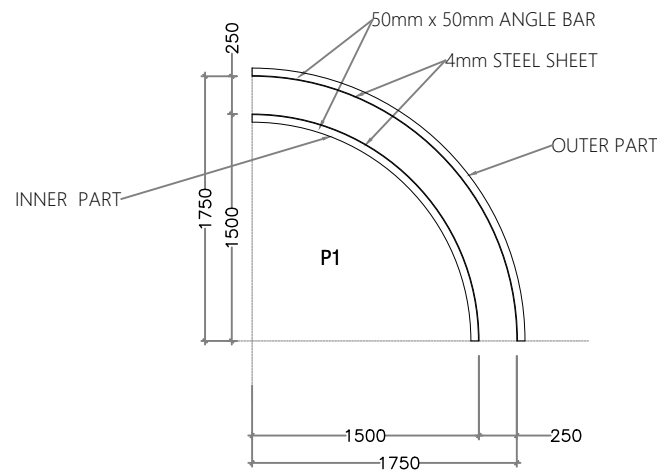
SECTION - X

**PROJECT: CAST ITEMS ; ALL ISLANDS**

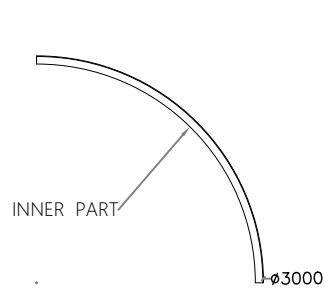
<p><b>CLIENT:</b></p>	<p><b>CONTRACTOR:</b></p>	<p><b>DRAWING TITLE:</b></p>		<p>DRAWN BY: ALI MOOSA</p>
<p>MINISTRY OF NATIONAL PLANNING &amp; INFRASTRUCTURE</p>	<p>ROAD DEVELOPMENT CORPORATION LTD.</p>	<p><b>PUMP STATION WELL (3M)</b></p>		<p>APPROVED BY: ALI ZAMEER</p>
<p>AMEENEE MAGU, MALE' REPUBLIC OF MALDIVES</p>	<p>ORCHID MAGU, MAAFANNU, MALE' REPUBLIC OF MALDIVES</p>			<p>PROJECT NO:</p>
				<p>DRAWING NO: 01</p>
				<p>SCALE: 1:50</p>



PERSPECTIVE VIEW

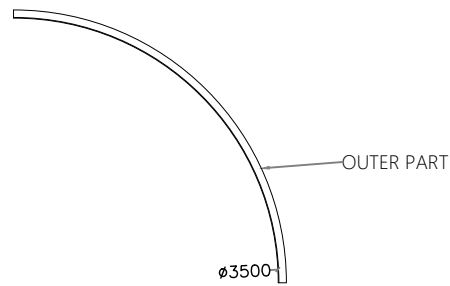


PERSPECTIVE VIEW



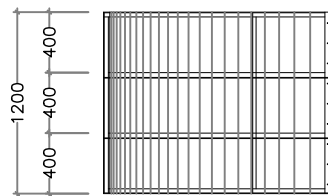
INNER PART

∅3000

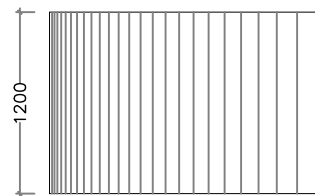


OUTER PART

∅3500



ELEVATION INNER PART



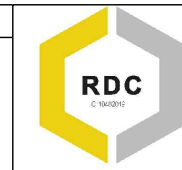
ELEVATION OUTER PART

**PROJECT: CAST ITEMS ; ALL ISLANDS**

**CLIENT:**  
 MINISTRY OF NATIONAL PLANNING & INFRASTRUCTURE  
 AMEENEE MAGU,  
 MALE'  
 REPUBLIC OF MALDIVES

**CONTRACTOR:**  
 ROAD DEVELOPMENT CORPORATION LTD.  
 ORCHID MAGU,  
 MAAFANNU, MALE'  
 REPUBLIC OF MALDIVES

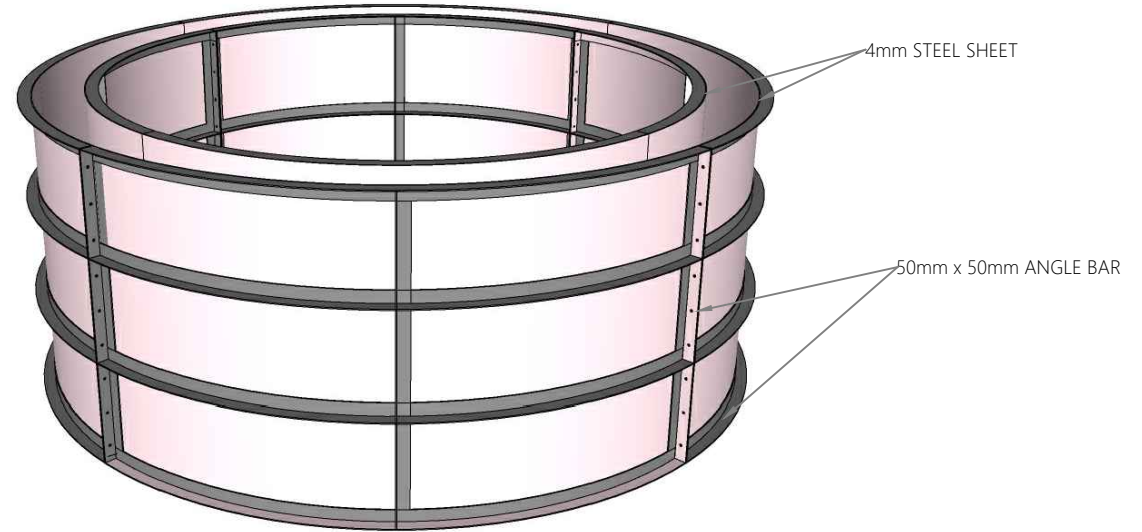
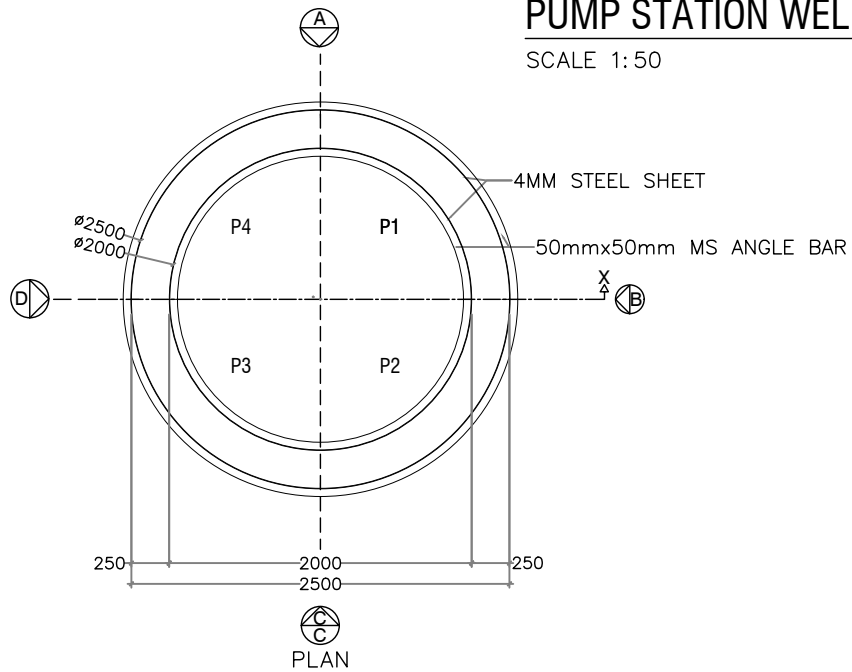
**DRAWING TITLE:**  
**PUMP STATION WELL  
 (3M)**



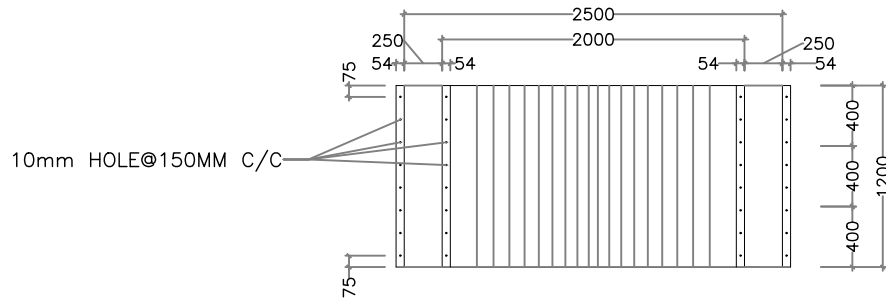
**DRAWN BY:** ALI MOOSA  
**APPROVED BY:** ALI ZAMEER  
**PROJECT NO:**  
**DRAWING NO:** 02  
**SCALE:** 1:50  
**DATE:** DEC 2022

# PUMP STATION WELL - Ø2M

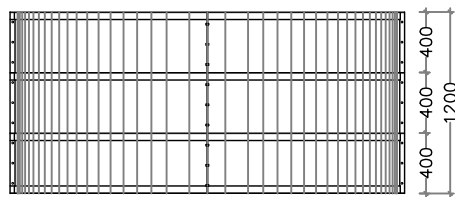
SCALE 1: 50



PERSPECTIVE VIEW



SECTION - X

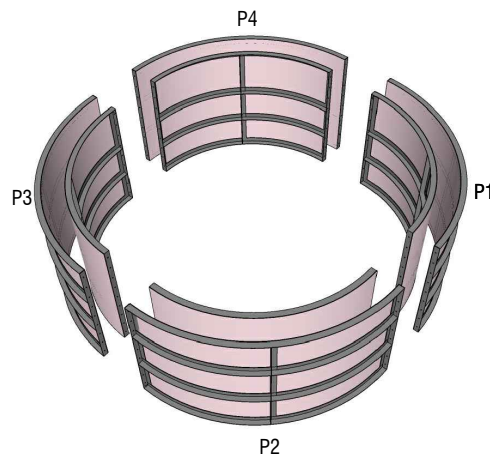


ELEVATION - A, B, C, D

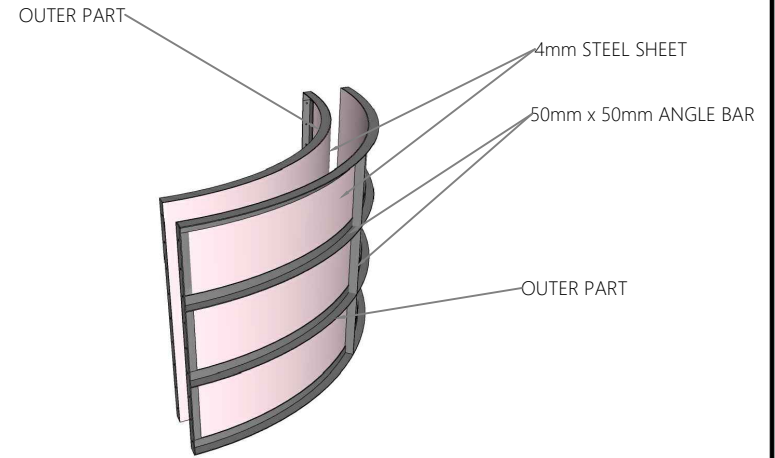
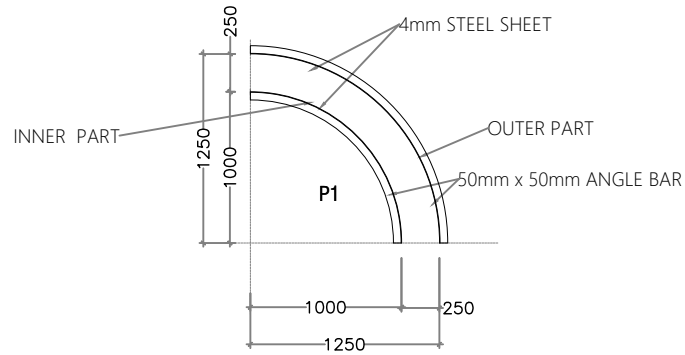
- NOTE:
- OUTER DIAMETER: 2500MM
  - INNER DIAMETER: 2000MM
  - WALL THINNESS: 250MM
  - CONCRETE MIXING RATIO: 1:2:3

**PROJECT: CAST ITEMS ; ALL ISLANDS**

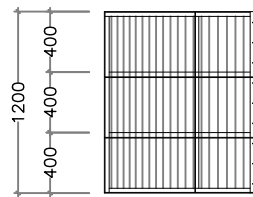
<b>CLIENT:</b>	<b>CONTRACTOR:</b>	<b>DRAWING TITLE:</b>		DRAWN BY: ALI MOOSA
MINISTRY OF NATIONAL PLANNING & INFRASTRUCTURE	ROAD DEVELOPMENT CORPORATION LTD.	PUMP STATION WELL (2M)		APPROVED BY: ALI ZAMEER
AMEENEE MAGU, MALE'	ORCHID MAGU, MAAFANNU, MALE'			PROJECT NO:
REPUBLIC OF MALDIVES	REPUBLIC OF MALDIVES			DRAWING NO: 01
				SCALE: 1:50



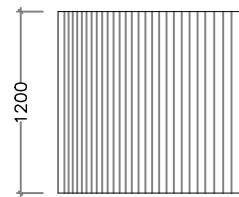
PERSPECTIVE VIEW



PERSPECTIVE VIEW




ELEVATION INNER PART



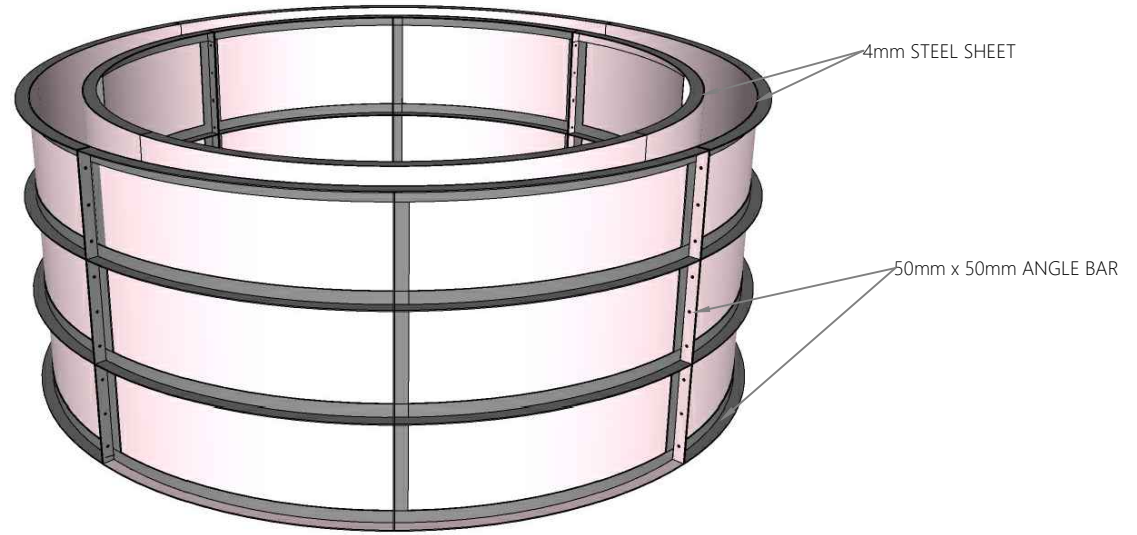
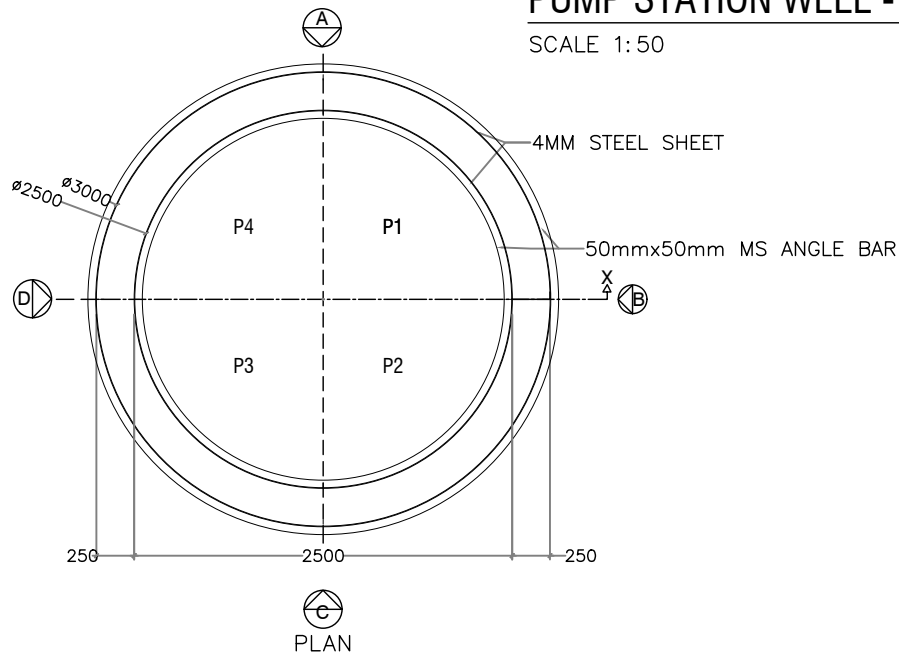
ELEVATION OUTER PART

**PROJECT: CAST ITEMS ; ALL ISLANDS**

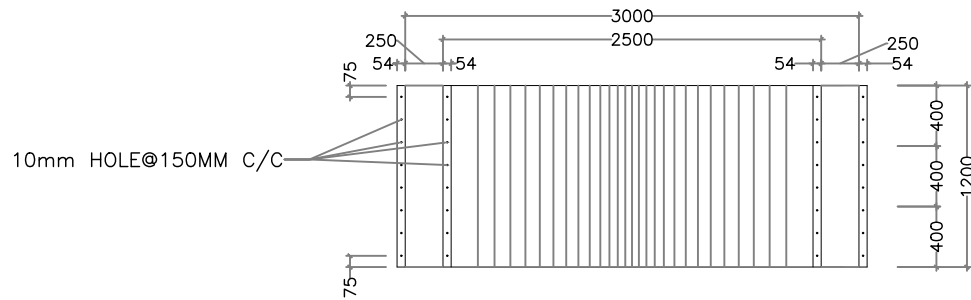
<b>CLIENT:</b> MINISTRY OF NATIONAL PLANNING & INFRASTRUCTURE AMEENEE MAGU, MALE' REPUBLIC OF MALDIVES	<b>CONTRACTOR:</b> ROAD DEVELOPMENT CORPORATION LTD. ORCHID MAGU, MAAFANNU, MALE' REPUBLIC OF MALDIVES	<b>DRAWING TITLE:</b> <b>PUMP STATION WELL          (2M)</b>		DRAWN BY: ALI MOOSA
				APPROVED BY: ALI ZAMEER
				PROJECT NO:
				DRAWING NO: 02
			SCALE: 1:50	DATE: DEC 2022

# PUMP STATION WELL - Ø2.5M

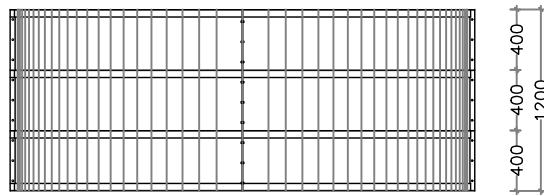
SCALE 1:50



PERSPECTIVE VIEW




SECTION-X



ELEVATION-A,B,C,D

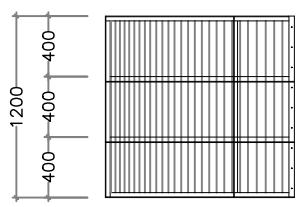
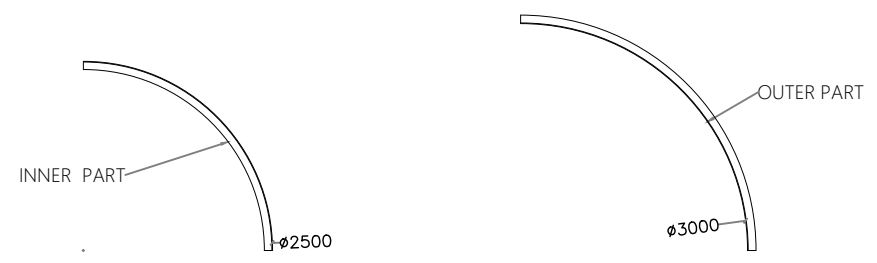
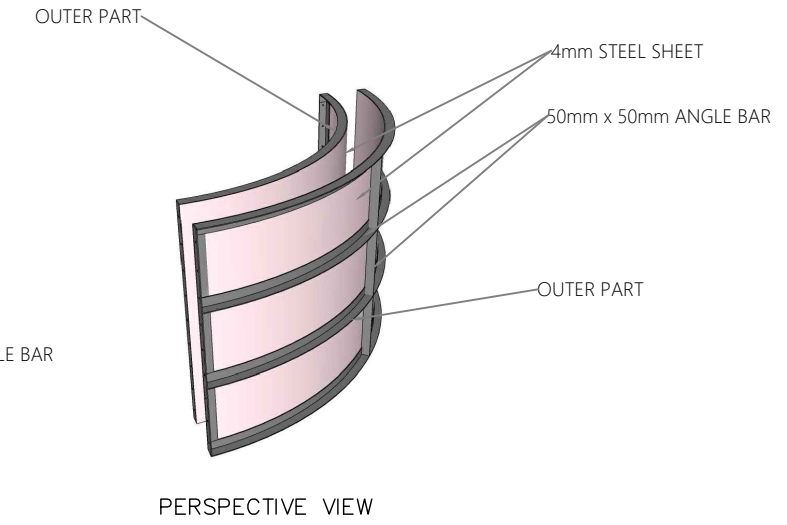
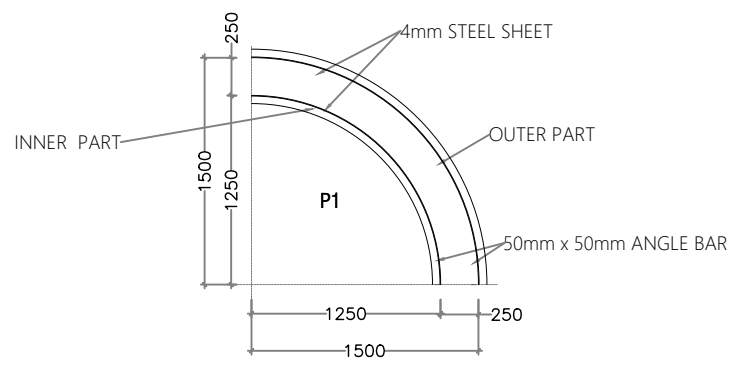
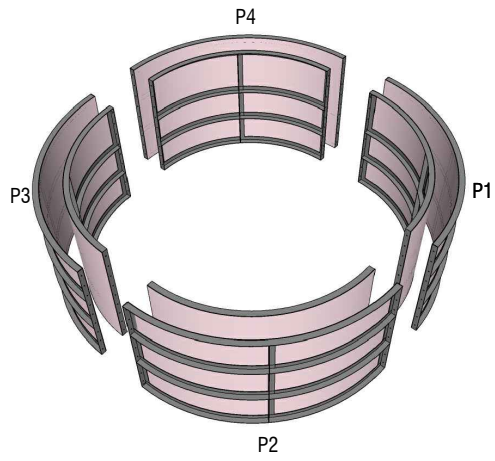
- NOTE:
- OUTER DIAMETER: 3000MM
  - INNER DIAMETER: 2500MM
  - WALL THINNESS: 250MM
  - CONCRETE MIXING RATIO: 1:2:3

**PROJECT: CAST ITEMS ; ALL ISLANDS**

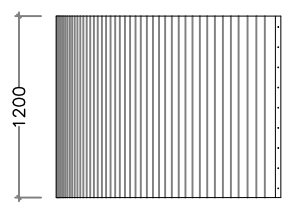
<p><b>CLIENT:</b></p>	<p><b>CONTRACTOR:</b></p>	<p><b>DRAWING TITLE:</b></p>		<p>DRAWN BY: ALI MOOSA</p>
<p>MINISTRY OF NATIONAL PLANNING &amp; INFRASTRUCTURE AMEENEE MAGU, MALE' REPUBLIC OF MALDIVES</p>	<p>ROAD DEVELOPMENT CORPORATION LTD. ORCHID MAGU, MAAFANNU, MALE' REPUBLIC OF MALDIVES</p>	<p><b>PUMP STATION WELL (2.5M)</b></p>		<p>APPROVED BY: ALI ZAMEER</p>
				<p>PROJECT NO:</p>
				<p>DRAWING NO: 01</p>
				<p>SCALE: 1:50</p>

DATE: DEC 2022






ELEVATION INNER PART



ELEVATION OUTER PART

<b>PROJECT: CAST ITEMS ; ALL ISLANDS</b>				
<b>CLIENT:</b>	<b>CONTRACTOR:</b>	<b>DRAWING TITLE:</b>		
MINISTRY OF NATIONAL PLANNING & INFRASTRUCTURE AMEENEE MAGU, MALE' REPUBLIC OF MALDIVES	ROAD DEVELOPMENT CORPORATION LTD. ORCHID MAGU, MAAFANNU, MALE' REPUBLIC OF MALDIVES	<b>PUMP STATION WELL (2.5M)</b>		DRAWN BY: ALI MOOSA
				APPROVED BY: ALI ZAMEER
				PROJECT NO:
				DRAWING NO: 02
			SCALE: 1:50	DATE: DEC 2022