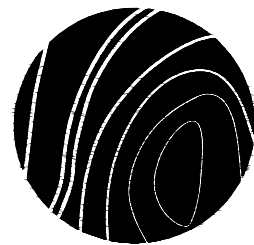


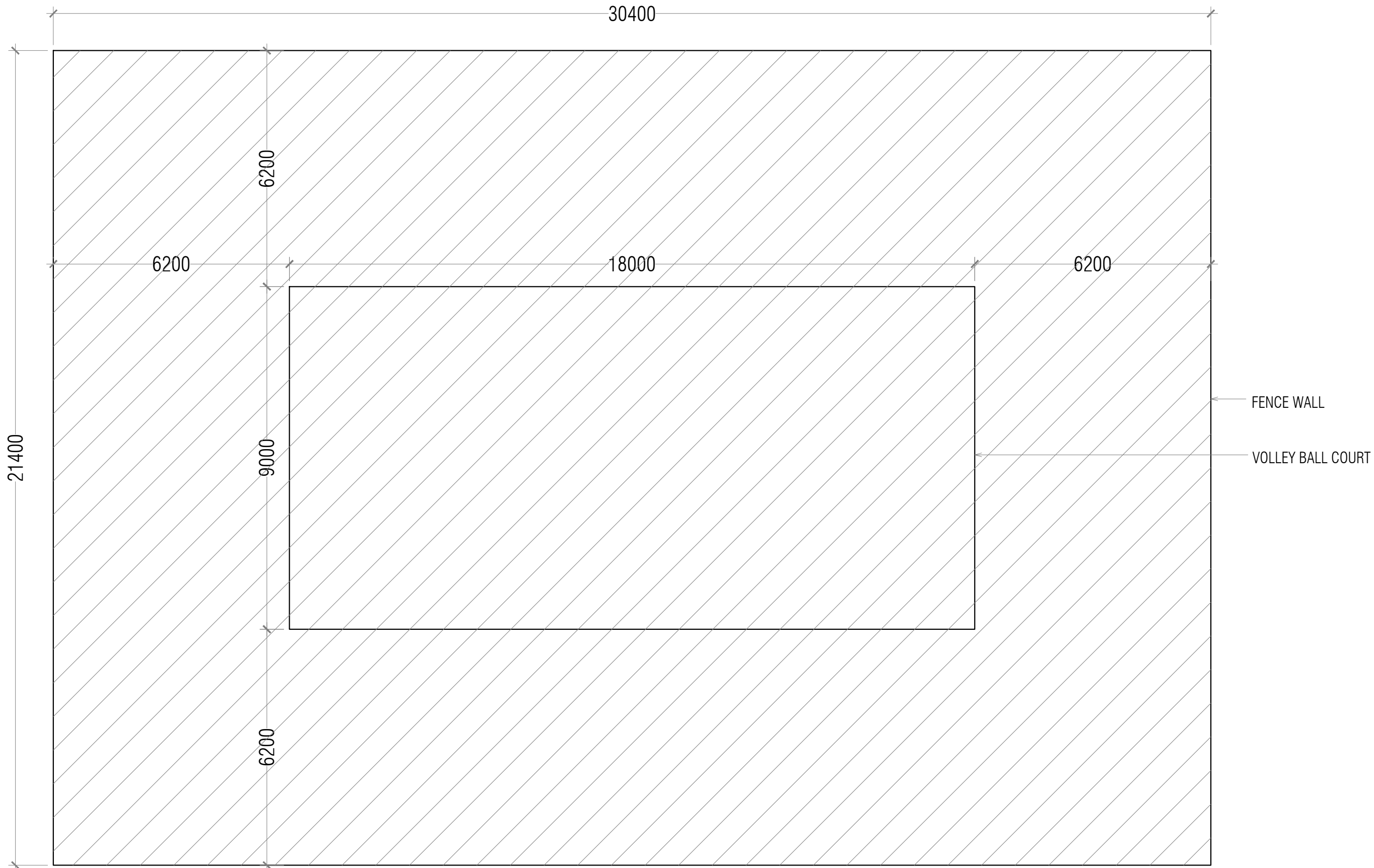
# OUTDOOR VOLLEY COURT

## ARCHITECTURAL DRAWINGS

**Isle Maldives**  
Lot11017, Shaayan  
Lansimoo Magu,  
Hulhumale'



Phn : +960 7452006  
Email: [info@isle.mv](mailto:info@isle.mv)



Notes :

Revision/ Issued :	Date :

Only figured dimensions are to be worked from. Contractor must check all dimensions on site. Discrepancies must be reported to the Architect before proceeding. This drawing is COPYRIGHT.

Project Title :  
**Outdoor Volleyball Court**

Client:  
**Ministry of Youth, Sports & Community Empowerment**

Architect:  
**Isle Maldives**  
 Lot11017, Shaayan  
 Lansimoo Magu,  
 Hulhumale'  
 Phn : +960 7452006  
 Email: info@isle.mv

Drawing Title :  
**Site Plan**

Drawing status :  
**TENDER**

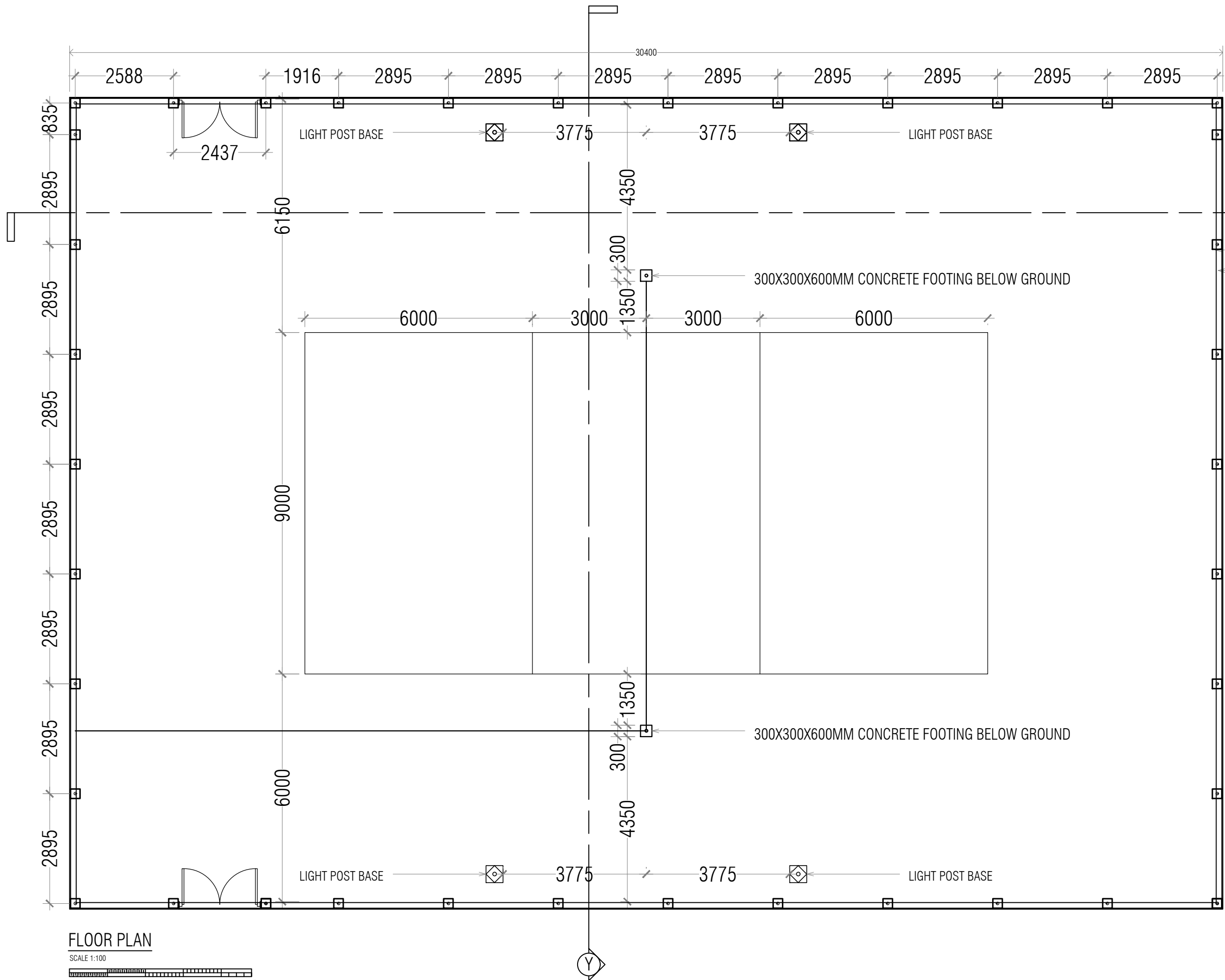
Date	OCTOBER 2022	Drawn	Adam
Scale	1 : 100 @ A3	Check	Yaamen

Drawing No: PS/IS/.....  
 Rev : --

**SITE PLAN**

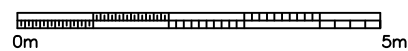


PLOT AREA:  
 650.56 SQM  
 7002.57 SQFT



**FLOOR PLAN**

SCALE 1:100



Notes :			
Revision/ Issued :		Date :	
Only figured dimensions are to be worked from. Contractor must check all dimensions on site. Discrepancies must be reported to the Architect before proceeding. This drawing is COPYRIGHT.			
Project Title :			
Outdoor Volleyball Court			
Client:			
Ministry of Youth, Sports & Community Empowerment			
Architect:			
Isle Maldives Lot11017, Shaayan Lansimoo Magu, Hulhumale'			
Phn : +960 7452006 Email: info@isle.mv			
Drawing Title :			
Floor Plan			
Drawing status :			
<b>TENDER</b>			
	OCTOBER 2022	Drawn	Adam
Scale	1 : 100 @ A3	Check	Yaamen
Drawing No:			Rev :
PS/IS/.....			--

Notes :

Revision/ Issued :      Date :

Only figured dimensions are to be worked from. Contractor must check all dimensions on site. Discrepancies must be reported to the Architect before proceeding. This drawing is COPYRIGHT.

Project Title :

Outdoor Volleyball Court

Client:

Ministry of Youth, Sports & Community Empowerment

Architect:

Isle Maldives  
Lot11017, Shaayan  
Lansimoo Magu,  
Hulhumale'

Phn : +960 7452006  
Email: info@isle.mv

Drawing Title :

Section X-X

Drawing status :

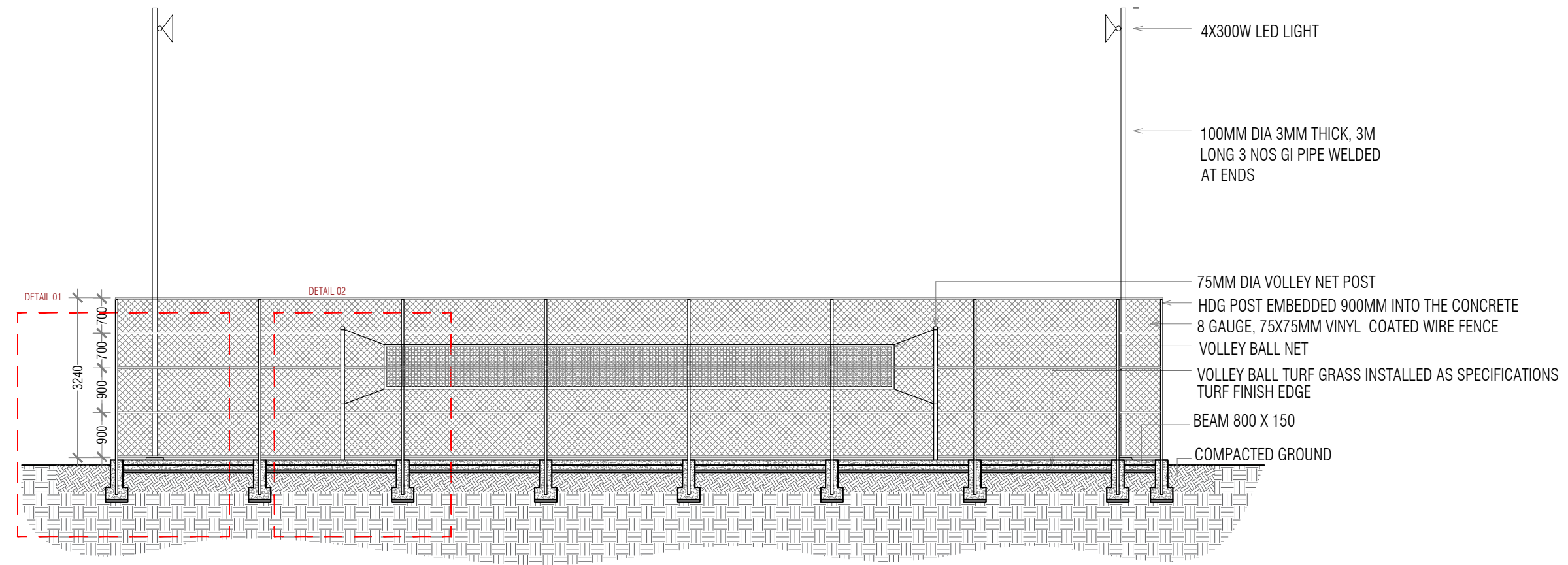
**TENDER**

	OCTOBER 2022	Drawn	Adam
--	--------------	-------	------

Scale	1 : 100 @ A3	Check	Yaamen
-------	--------------	-------	--------

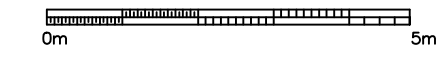
Drawing No:		Rev :	
-------------	--	-------	--

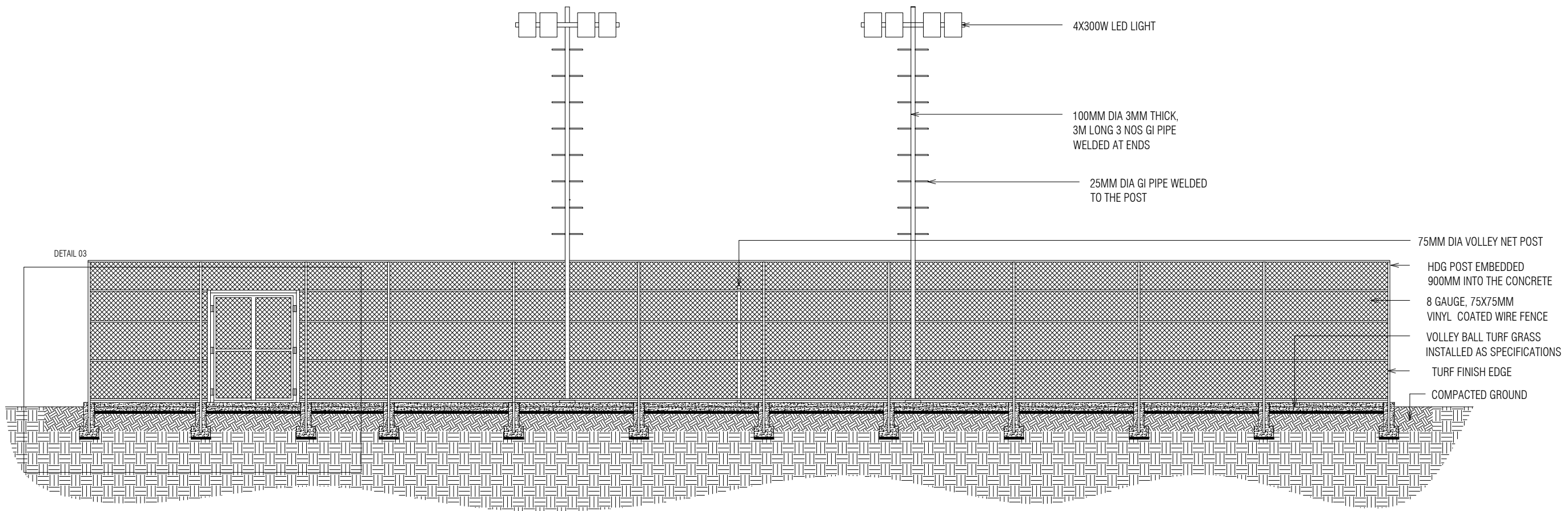
PS/IS/.....		--	
-------------	--	----	--



**SECTION X-X**

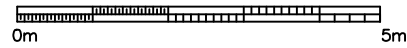
SCALE 1:100





**SECTION Y-Y**

SCALE 1:100



Notes :

Revision/ Issued :	Date :

Only figured dimensions are to be worked from. Contractor must check all dimensions on site. Discrepancies must be reported to the Architect before proceeding. This drawing is COPYRIGHT.

Project Title :

**Outdoor Volleyball Court**

Client:

**Ministry of Youth, Sports & Community Empowerment**

Architect:

**Isle Maldives**  
 Lot11017, Shaayan  
 Lansimoo Magu,  
 Hulhumale'  
 Phn : +960 7452006  
 Email: info@isle.mv

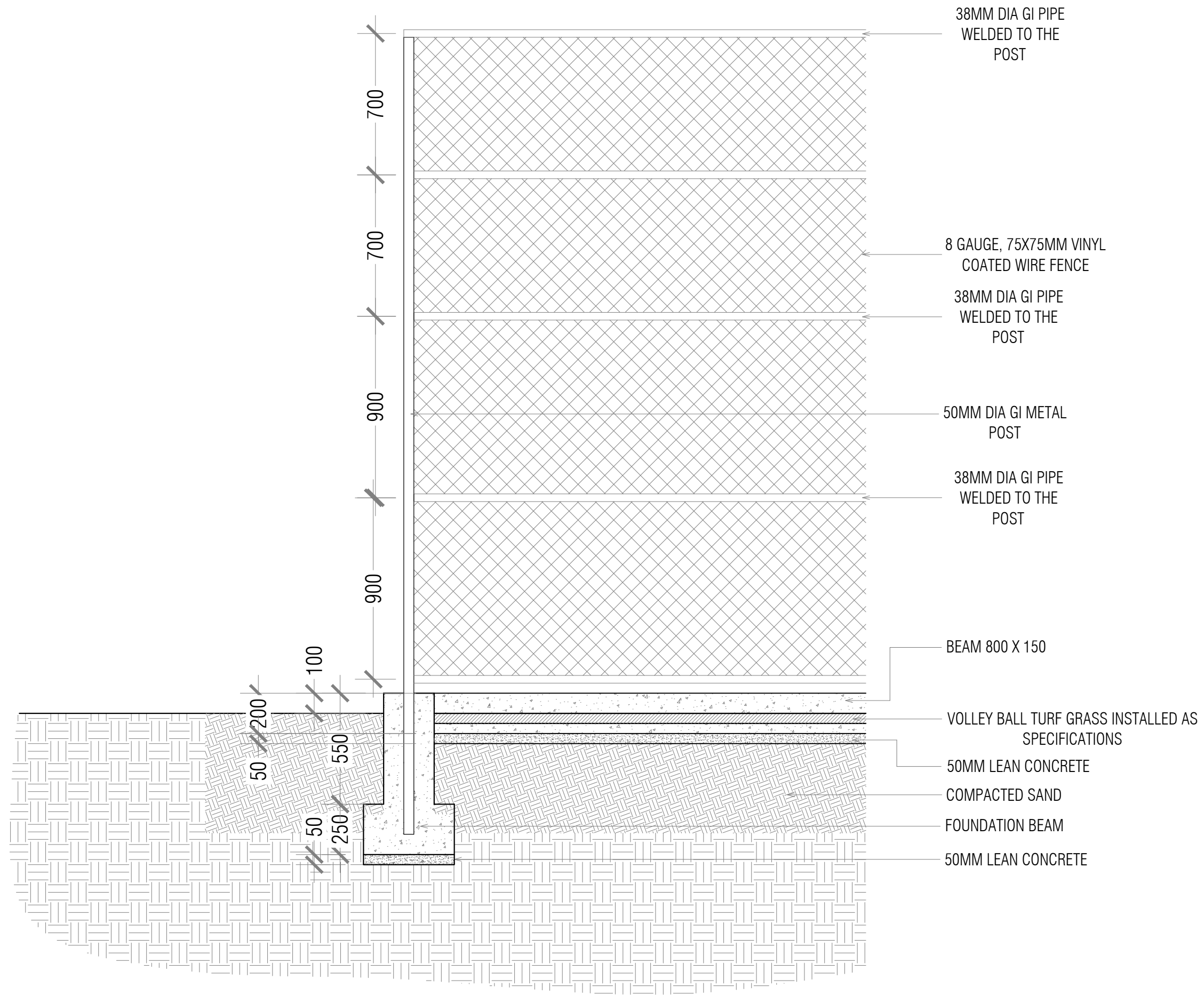
Drawing Title :

**Section Y-Y**

Drawing status :

**T E N D E R**

	OCTOBER 2022	Drawn	Adam
Scale	1 : 100 @ A3	Check	Yaamen
Drawing No:		Rev :	
PS/IS/.....			--



38MM DIA GI PIPE  
WELDED TO THE  
POST

8 GAUGE, 75X75MM VINYL  
COATED WIRE FENCE

38MM DIA GI PIPE  
WELDED TO THE  
POST

50MM DIA GI METAL  
POST

38MM DIA GI PIPE  
WELDED TO THE  
POST

BEAM 800 X 150

VOLLEY BALL TURF GRASS INSTALLED AS  
SPECIFICATIONS

50MM LEAN CONCRETE

COMPACTED SAND

FOUNDATION BEAM

50MM LEAN CONCRETE

700

700

900

900

50  
200

100

50  
250

550

# DETAIL 01

SCALE 1:20

Notes :

Revision/ Issued :	Date :
--------------------	--------

Only figured dimensions are to be worked from.  
Contractor must check all dimensions on site.  
Discrepancies must be reported to the Architect  
before proceeding. This drawing is COPYRIGHT.

Project Title :

Outdoor Volleyball Court

Client:

**Ministry of Youth,  
Sports & Community  
Empowerment**

Architect:

**Isle Maldives**  
Lot11017, Shaayan  
Lansimoo Magu,  
Hulhumale'

Phn : +960 7452006  
Email: info@isle.mv

Drawing Title :

Detail Drawing 1

Drawing status :

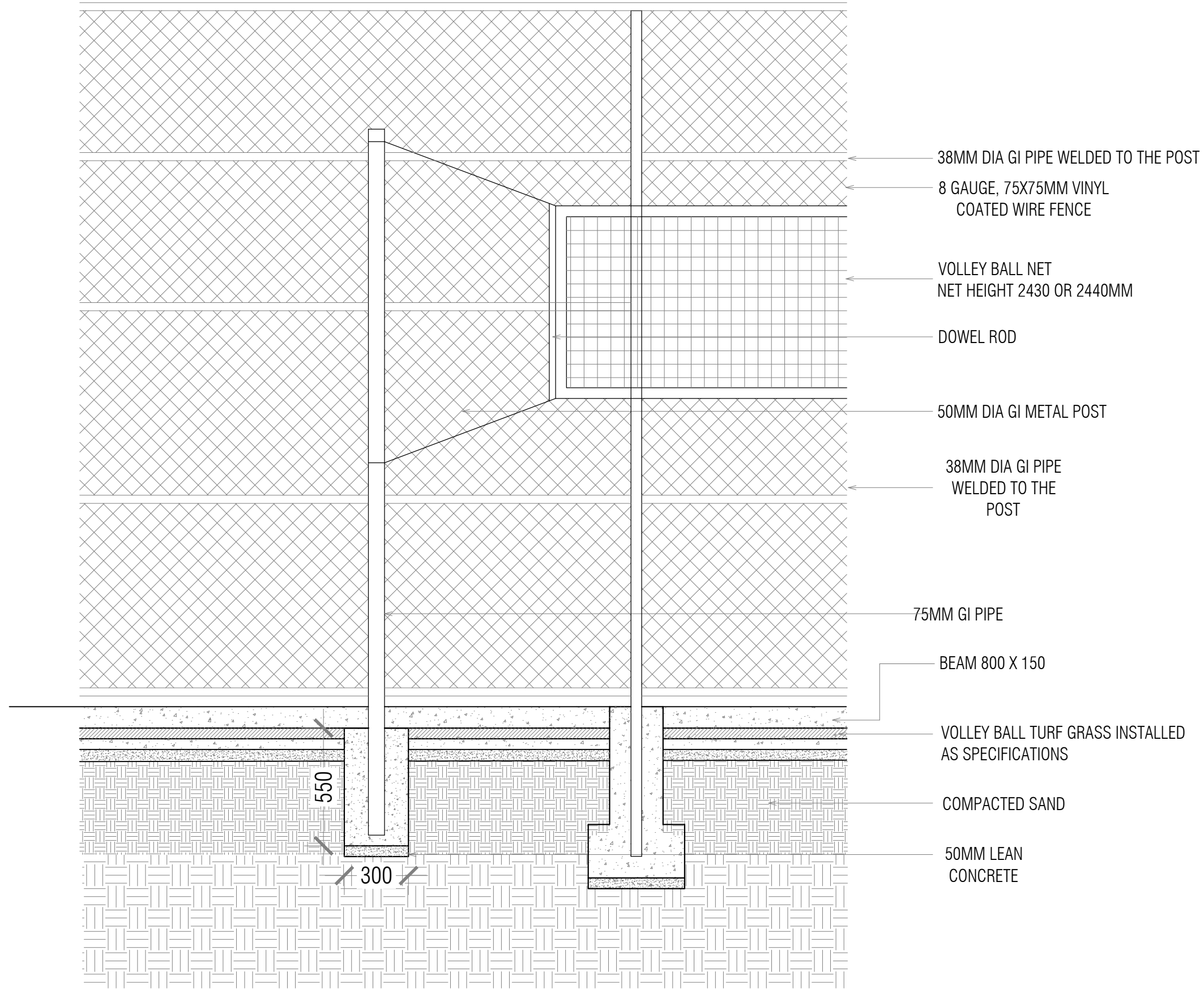
**T E N D E R**

	OCTOBER 2022	Drawn	Adam
--	--------------	-------	------

Scale	1 : 20 @ A3	Check	Yaamen
-------	-------------	-------	--------

Drawing No:	Rev :
-------------	-------

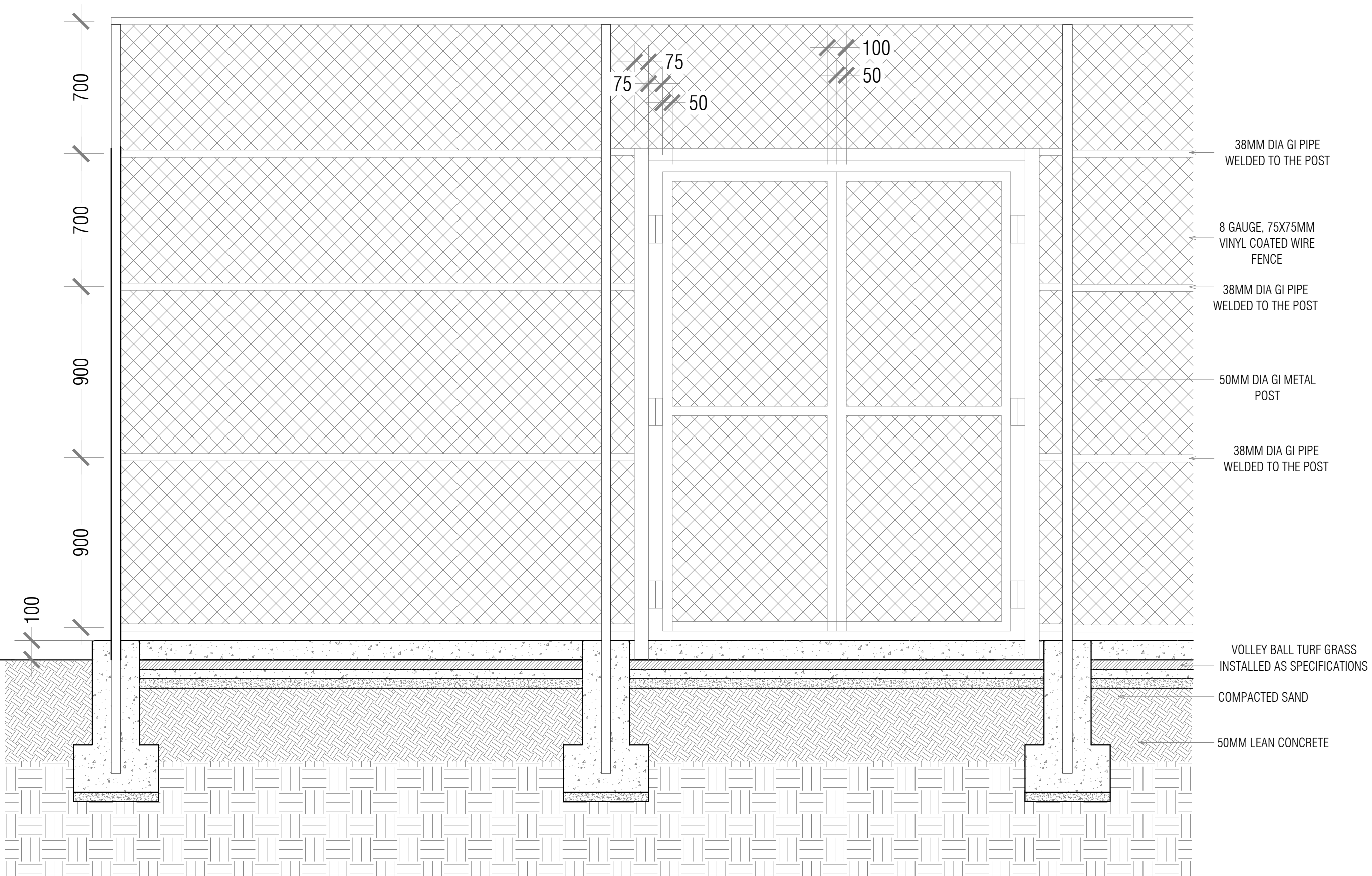
PS/IS/.....	--
-------------	----



# DETAIL 02

SCALE 1:20

Notes :			
Revision/ Issued :		Date :	
Only figured dimensions are to be worked from. Contractor must check all dimensions on site. Discrepancies must be reported to the Architect before proceeding. This drawing is COPYRIGHT.			
Project Title :			
Outdoor Volleyball Court			
Client:			
Ministry of Youth, Sports & Community Empowerment			
Architect:			
Isle Maldives Lot11017, Shaayan Lansimoo Magu, Hulhumale'			
Phn : +960 7452006 Email: info@isle.mv			
Drawing Title :			
Detail Drawing 2			
Drawing status :			
<b>T E N D E R</b>			
	OCTOBER 2022	Drawn	Adam
Scale	1 : 20 @ A3	Check	Yaamen
Drawing No:		Rev :	
PS/IS/.....		--	

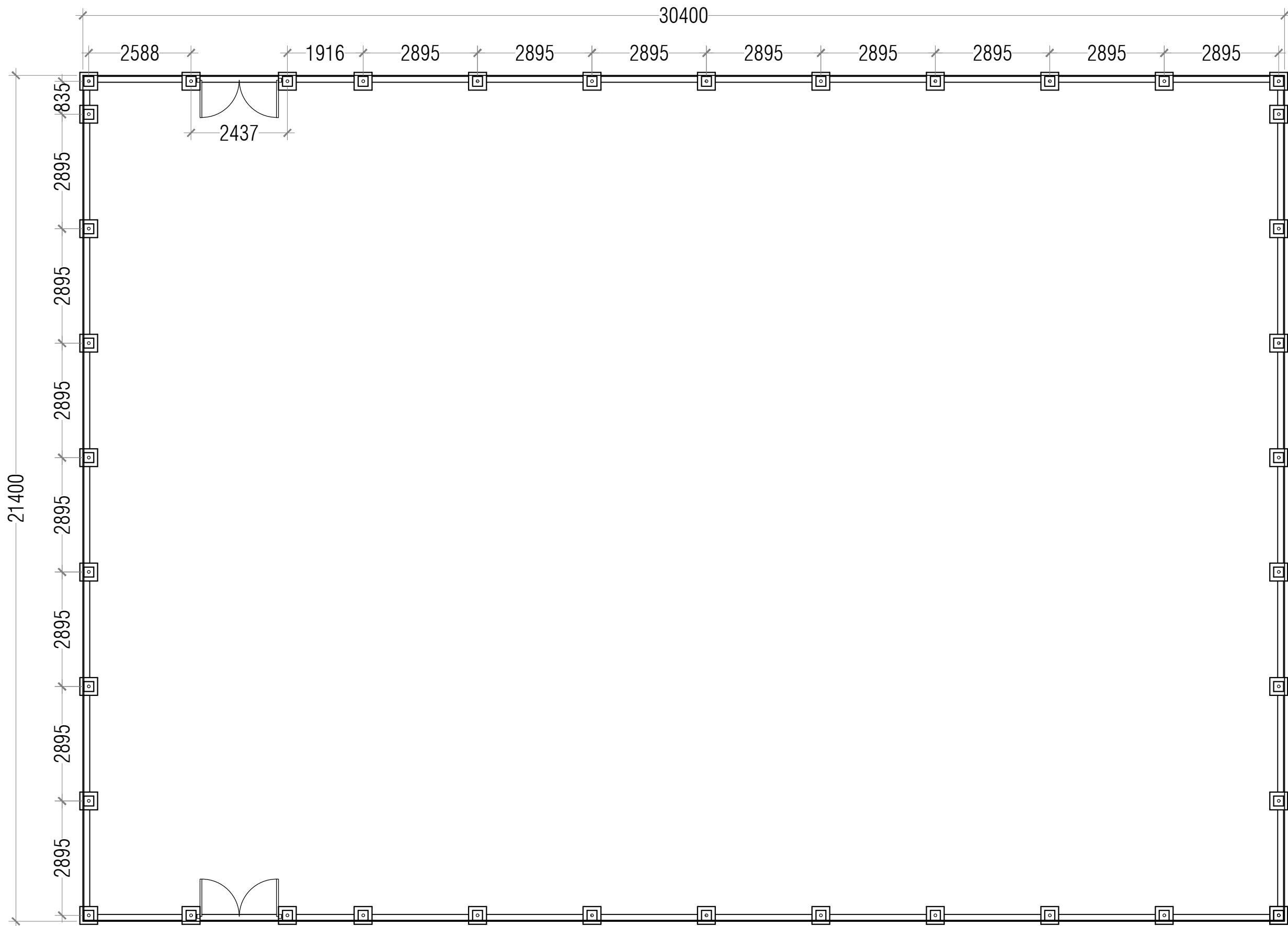


# DETAIL 03

SCALE 1:20

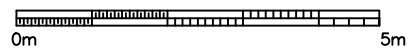
Notes :			
Revision/ Issued :		Date :	
Only figured dimensions are to be worked from. Contractor must check all dimensions on site. Discrepancies must be reported to the Architect before proceeding. This drawing is COPYRIGHT.			
Project Title :			
Outdoor Volleyball Court			
Client:			
Ministry of Youth, Sports & Community Empowerment			
Architect:			
Isle Maldives Lot11017, Shaayan Lansimoo Magu, Hulhumale'			
Phn : +960 7452006 Email: info@isle.mv			
Drawing Title :			
Detail Drawing 3			
Drawing status :			
T E N D E R			
	OCTOBER 2022	Drawn	Adam
Scale	1 : 20 @ A3	Check	Yaamen
Drawing No:			Rev :
PS/IS/.....			--





**COLUMN PLAN**

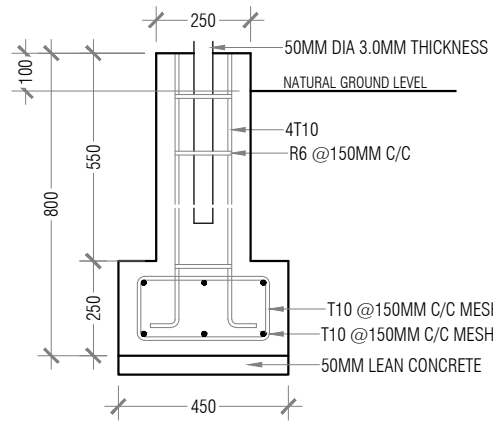
SCALE 1:100



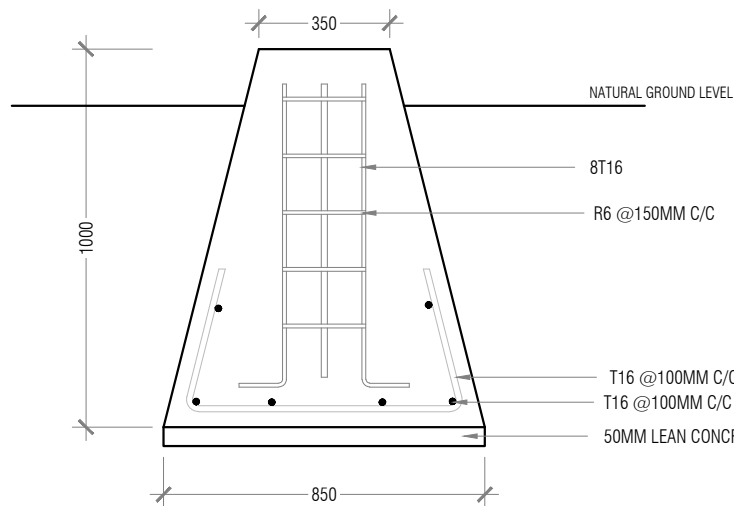
Notes :			
Revision/ Issued :		Date :	
Only figured dimensions are to be worked from. Contractor must check all dimensions on site. Discrepancies must be reported to the Architect before proceeding. This drawing is COPYRIGHT.			
Project Title :			
Outdoor Volleyball Court			
Client:			
Ministry of Youth, Sports & Community Empowerment			
Architect:			
Isle Maldives Lot11017, Shaayan Lansimoo Magu, Hulhumale'			
Phn : +960 7452006 Email: info@isle.mv			
Drawing Title :			
Column Plan			
Drawing status :			
<b>TENDER</b>			
	OCTOBER 2022	Drawn	Adam
Scale	1 : 100 @ A3	Check	Yaamen
Drawing No:		Rev :	
PS/IS/.....		--	

## COLUMN FOOTING DETAIL

SIZE	REINFORCEMENT
450 x 450 x 250 MM BASE	T10 @ 150 C/C BOTHWAYS
250 x 250 x 550 MM TOP	T10 @ 150 C/C BOTHWAYS

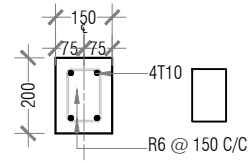


COLUMN FOOTING

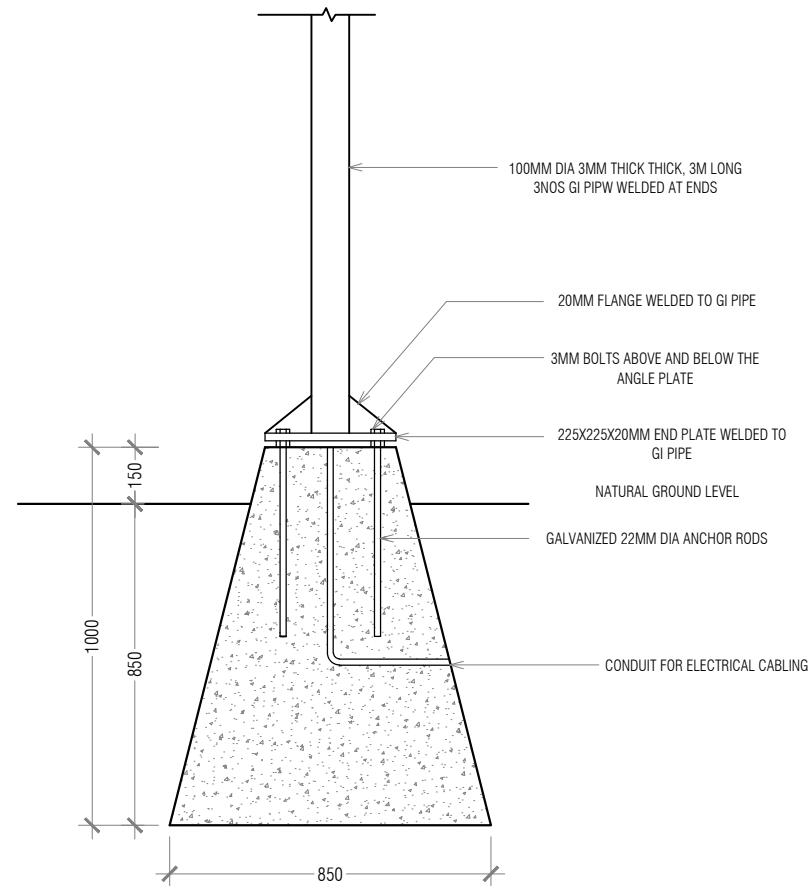


**LIGHT POST REINFORCEMENT DETAIL**

SCALE 1:20

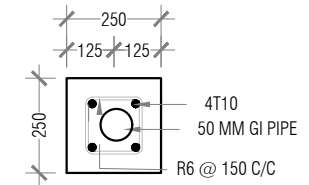


FOUNDATION BEAM

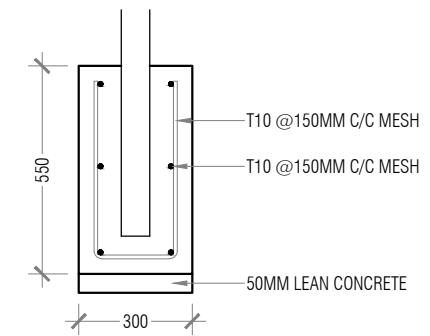


**LIGHT POST FIXING DETAIL**

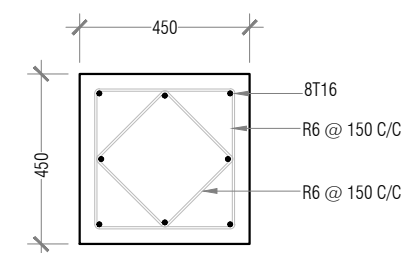
SCALE 1:20



COLUMN



VOLLEY NET POST FOOTING



LIGHT POST FOOTING DETAIL

Notes :

Revision/ Issued : Date :

Only figured dimensions are to be worked from. Contractor must check all dimensions on site. Discrepancies must be reported to the Architect before proceeding. This drawing is COPYRIGHT.

Project Title :

Outdoor Volleyball Court

Client:

Ministry of Youth, Sports & Community Empowerment

Architect:

Isle Maldives  
Lot11017, Shaayan  
Lansimoo Magu,  
Hulhumale'

Phn : +960 7452006  
Email: info@isle.mv

Drawing Title :

Footing Detail

Drawing status :

**TENDER**

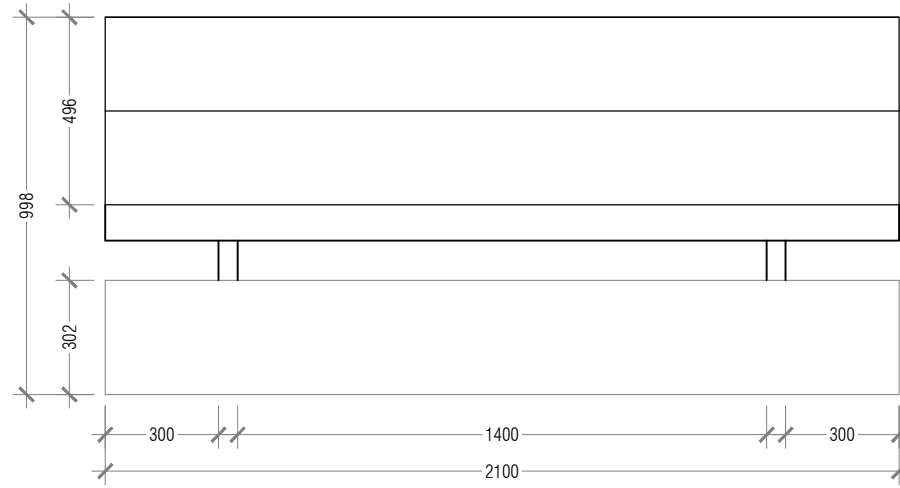
OCTOBER 2022 Drawn Adam

Scale 1 : 20 @ A3 Check Yaamen

Drawing No: Rev :

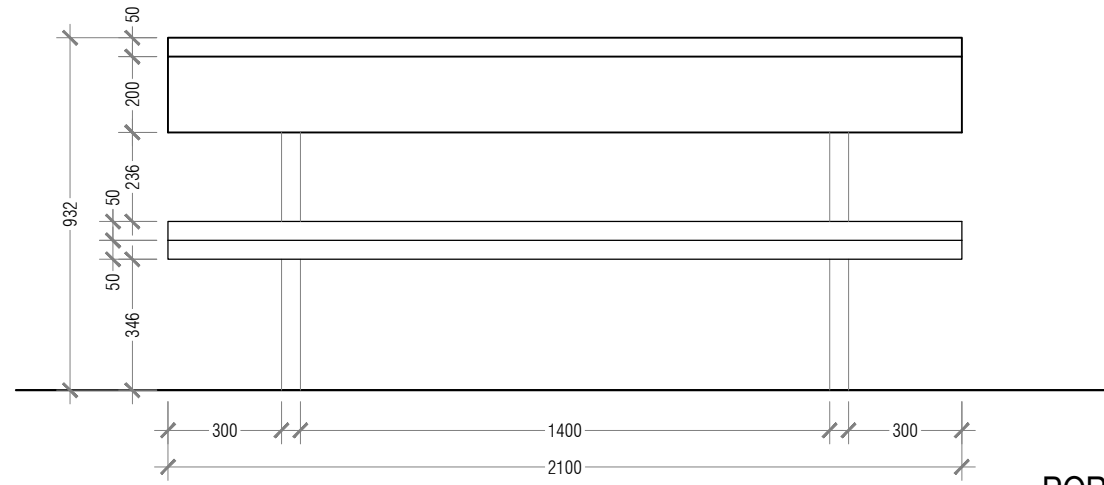
PS/IS/.....

--



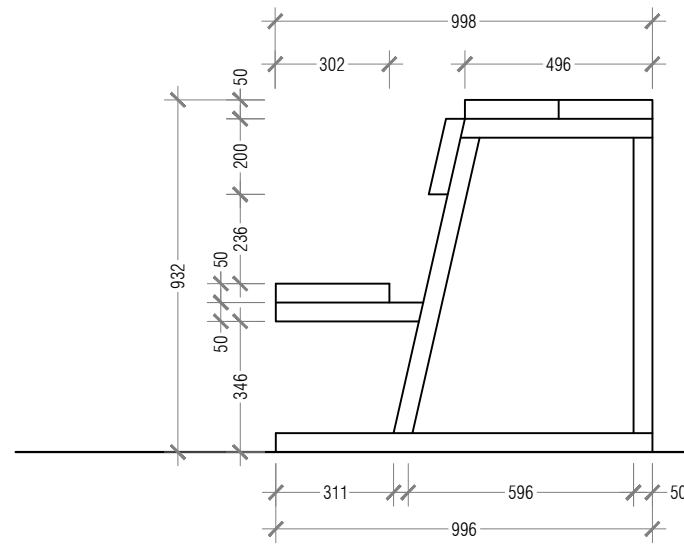
**PORTABLE PLAYER BENCH  
PLAN VIEW**

SCALE 1:20



**PORTABLE PLAYER BENCH  
FRONT VIEW**

SCALE 1:20



**PORTABLE PLAYER BENCH  
SIDE VIEW**

SCALE 1:20

Notes :

Revision/ Issued :	Date :

Only figured dimensions are to be worked from. Contractor must check all dimensions on site. Discrepancies must be reported to the Architect before proceeding. This drawing is COPYRIGHT.

Project Title :

Outdoor Volleyball Court

Client:

**Ministry of Youth,  
Sports & Community  
Empowerment**

Architect:

**Isle Maldives**  
Lot11017, Shaayan  
Lansimoo Magu,  
Hulhumale'

Phn : +960 7452006  
Email: info@isle.mv

Drawing Title :

Bench Detail

Drawing status :

**T E N D E R**

OCTOBER 2022	Drawn	Adam
--------------	-------	------

Scale	1 : 20 @ A3	Check	Yaamen
-------	-------------	-------	--------

Drawing No:	Rev :
-------------	-------

PS/IS/.....	--
-------------	----

## PVC COATED WIRE FENCE

---

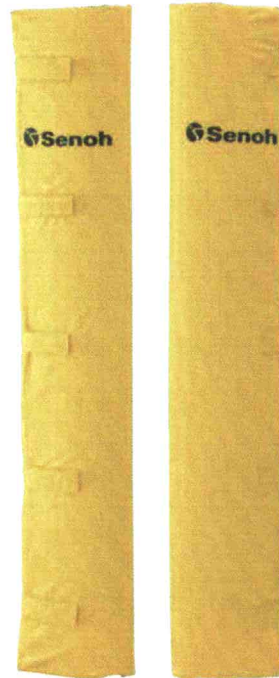
**8 Gauge, 75x75 mm  
vinyl coated wire fence**



# VOLLEYBALL SYSTEM



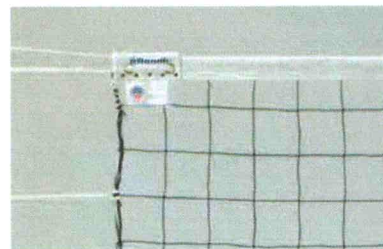
DE5000 Beach Volleyball Uprights
FIVB approved
Beach use
Internal bevel gear system for fine height adjustment
Aluminum made
Dust/Water/Rust proof design
Under ground L300mm
Inner post : $\Phi$ 76.3mm Outer post : $\Phi$ 85.0mm
33kg/pair



DE2100 Safety Pads
FIVB approved
Beach use
Urethane foam covered with tarpaulins
Easy attach/detach with Velcro tapes
Dust/Water/Rust proof design
H1700mm
5kg/pair



DL0200 Beach Volleyball Referee Stand
FIVB approved
Beach use
Steel frame with padding
Detachable handrail
H2100 x W750 x D900mm
Footplate height adjustable 930-1430mm
57kg / unit



DE8003 Official Volleyball Net
FIVB approved
Indoor use
Polyethylene net with technora cable
Dtex 90T/360
H1000 x L9500mm
100mm x 100mm square mesh

## VOLLEYBALL COURT TURF SPECIFICATION

---



### Specification

Pile Height	20mm
Dtex	9600
stiches. /m	310s/m (density: 32,500/m2)
Colour	Red/Green/Blue
Guage	3/8"
Grass yam	Fabrillated PE
Backing	PP+Net & SBR Latex
Silica sand	09 kg/sqm

