

CAFE' AT CHILDREN PARK  
HA.IHAVANDHOO  
ARCHITECTURAL & STRUCTURAL DRAWINGS

---

DECEMBER 2022

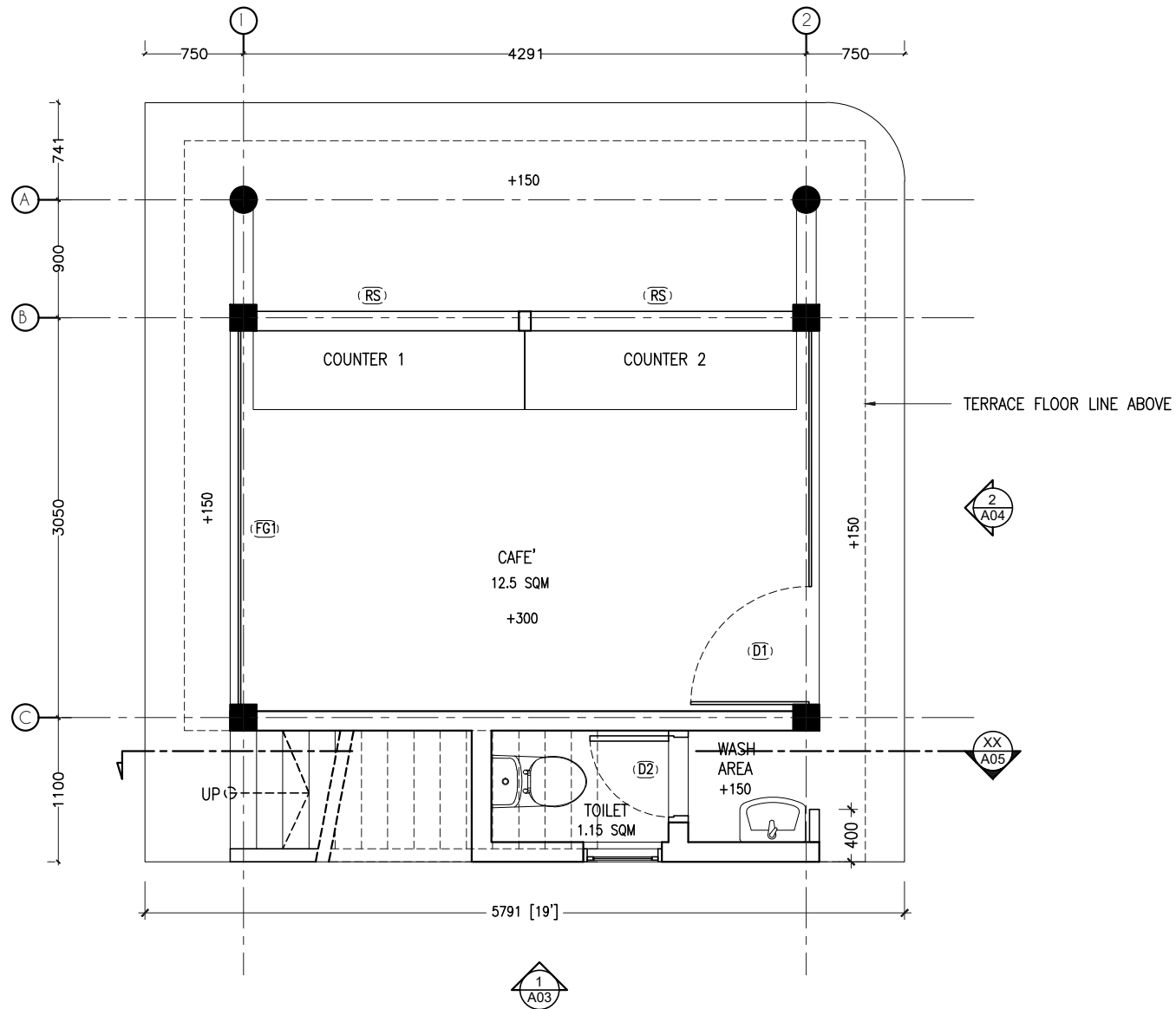


SHIYAX DESIGNS

+960 9820118

shiyaz1996@gmail.com





GROUND FLOOR PLAN  
SCALE 1:50

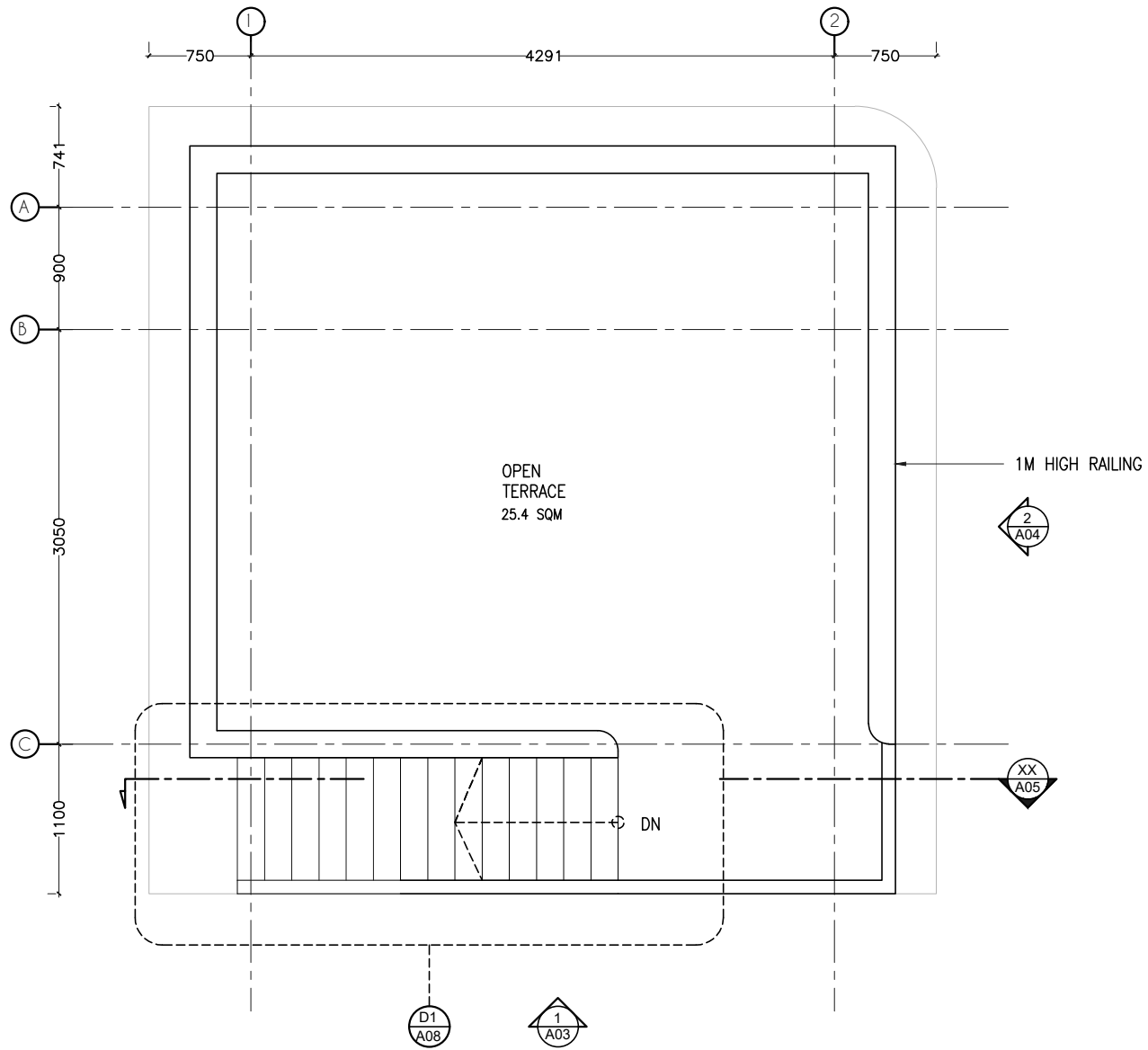


DRAWN BY SHIYAZ  
STRUCTURE BY AAFAAQ  
  
SCALE AS GIVEN  
PAPER FORMAT A4  
DIMENSION MM  
DATE 12.25.2022

PROJECT NAME  
CAFE' AT CHILDREN PARK  
  
CLIENT  
IHAVANDHOO COUNCIL

DRAWING TITLE  
GROUND FLOOR  
PLAN

DRAWING NO. REVISION NO.  
  
A01



TERRACE FLOOR PLAN  
SCALE 1:50

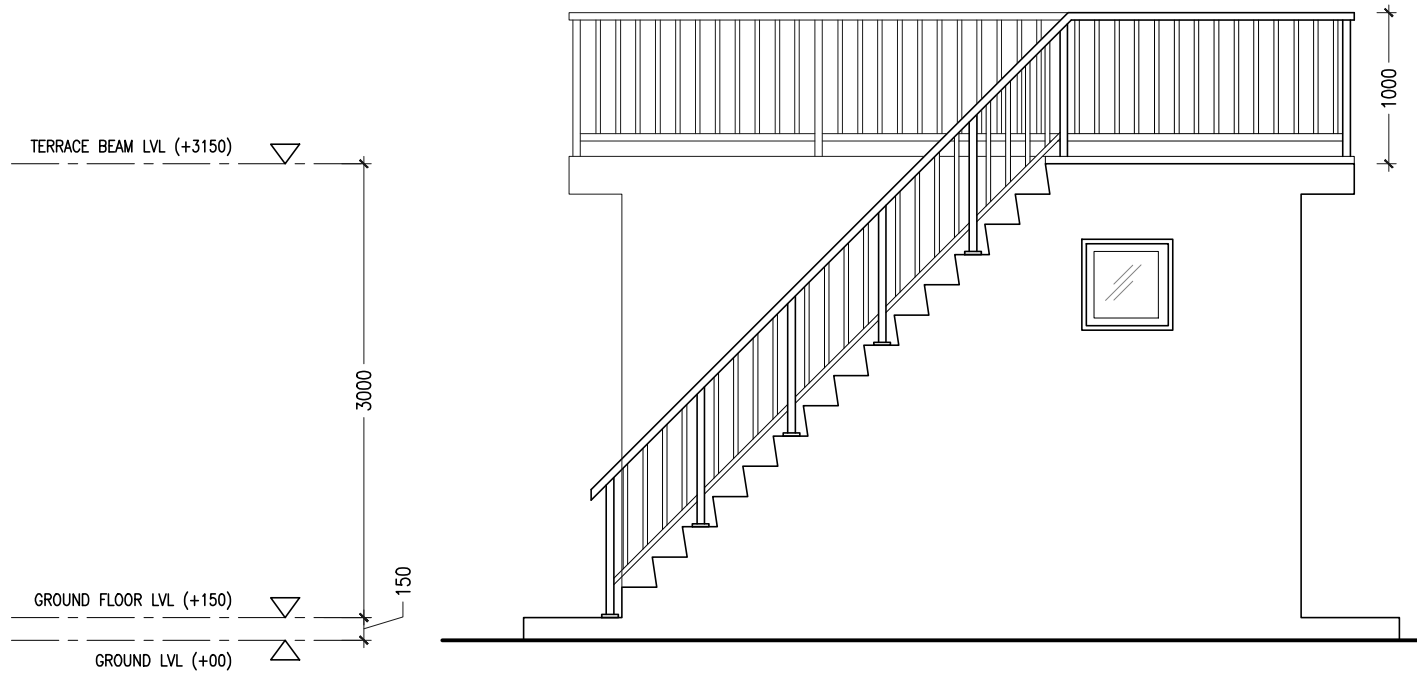


DRAWN BY SHIYAZ  
STRUCTURE BY AAFAAQ  
SCALE AS GIVEN  
PAPER FORMAT A4  
DIMENSION MM  
DATE 12.25.2022

PROJECT NAME  
CAFE' AT CHILDREN PARK  
CLIENT  
IHAVANDHOO COUNCIL

DRAWING TITLE  
TERRACE FLOOR  
PLAN

DRAWING NO. REVISION NO.  
A02



ELEVATION 1  
SCALE 1:50

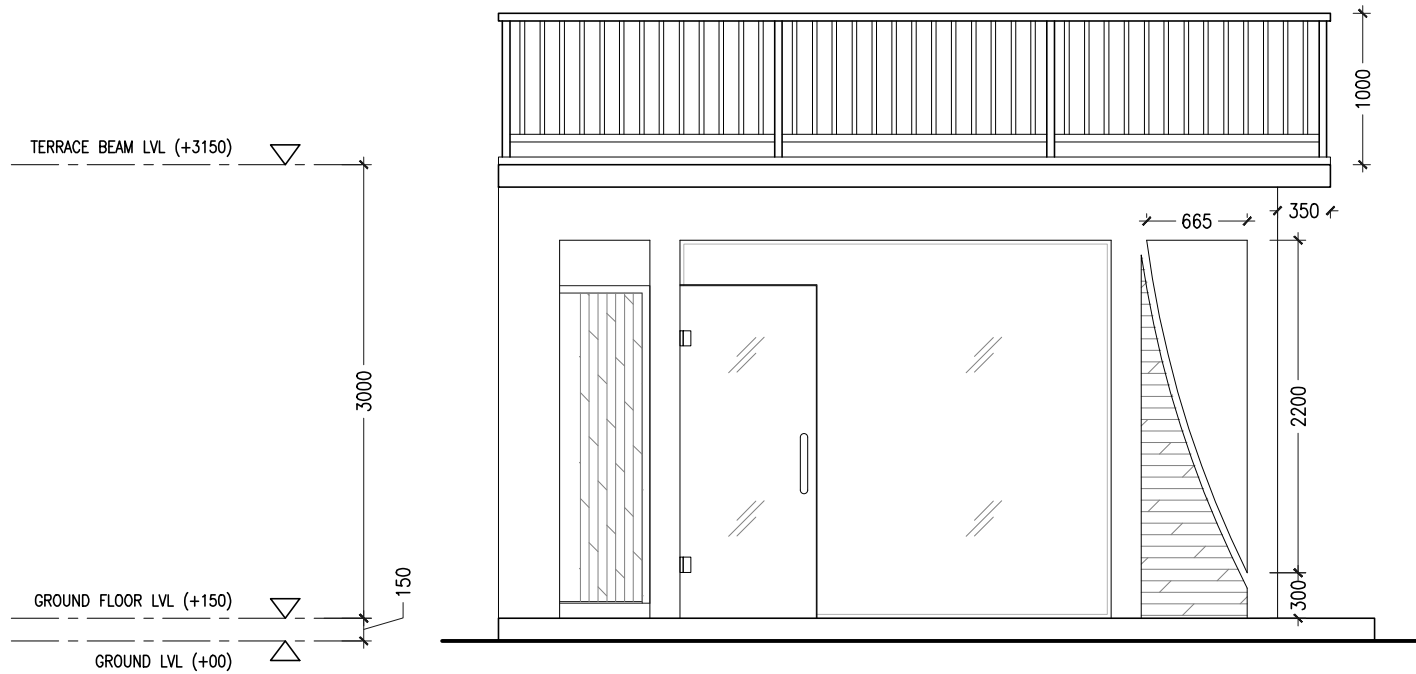


DRAWN BY SHIYAZ  
STRUCTURE BY AAFAAQ  
SCALE AS GIVEN  
PAPER FORMAT A4  
DIMENSION MM  
DATE 12.25.2022

PROJECT NAME  
CAFE' AT CHILDREN PARK  
CLIENT  
IHAVANDHOO COUNCIL

DRAWING TITLE  
ELEVATION 1

DRAWING NO. REVISION NO.  
A03



ELEVATION 2  
SCALE 1:50

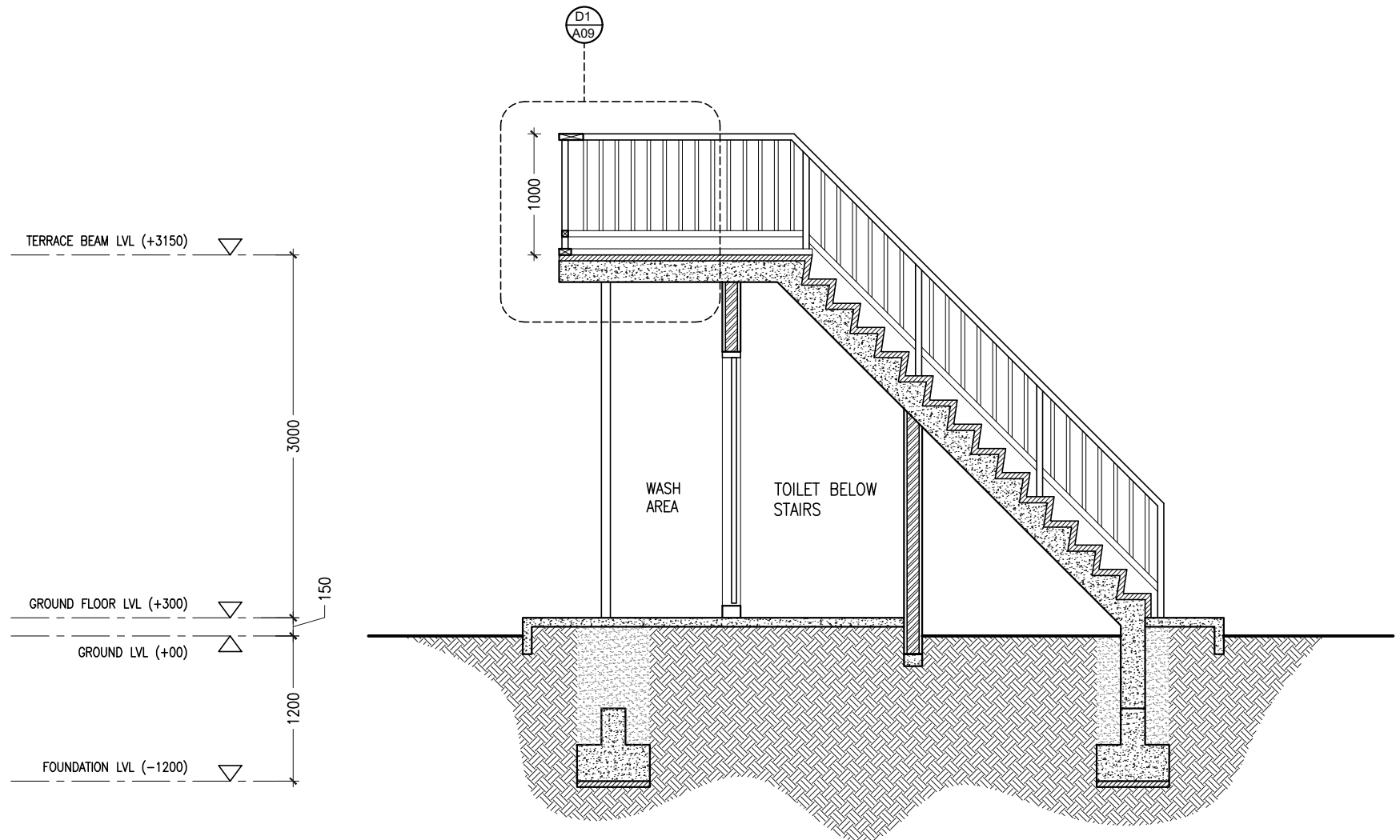


DRAWN BY	SHIYAZ
STRUCTURE BY	AAFAAQ
SCALE	AS GIVEN
PAPER FORMAT	A4
DIMENSION	MM
DATE	12.25.2022

PROJECT NAME	CAFE' AT CHILDREN PARK
CLIENT	IHAVANDHOO COUNCIL

DRAWING TITLE	ELEVATION 2
---------------	-------------

DRAWING NO.	REVISION NO.
A04	



SECTION XX  
SCALE 1:50

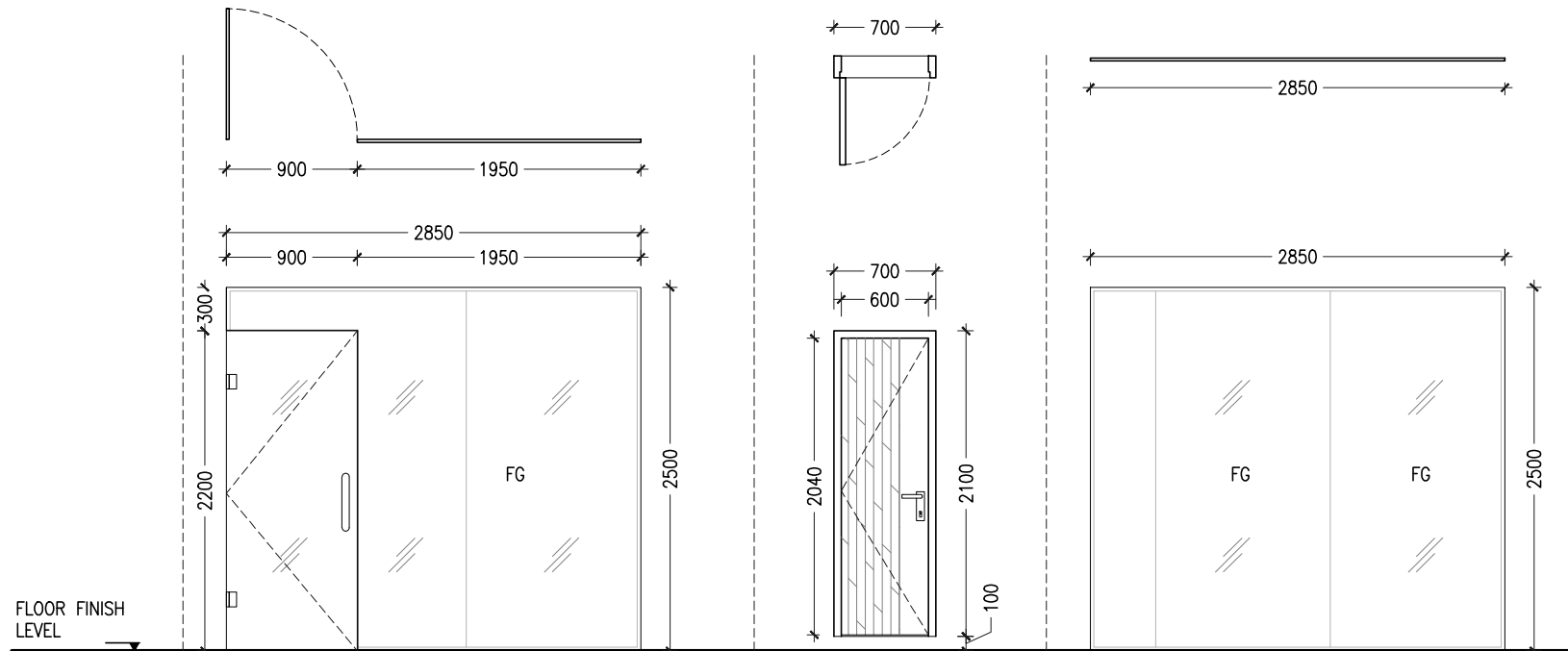


DRAWN BY SHIYAZ  
STRUCTURE BY AAFAAQ  
SCALE AS GIVEN  
PAPER FORMAT A4  
DIMENSION MM  
DATE 12.25.2022

PROJECT NAME  
CAFE' AT CHILDREN PARK  
CLIENT  
IHAVANDHOO COUNCIL

DRAWING TITLE  
SECTION XX

DRAWING NO. A05  
REVISION NO.



DR. / WD. NO.	D1	D2	D1
DESCRIPTION	OPENABLE GLASS DOOR WITH FRAMELESS FIXED GLASS PANEL ON 25MM U-CHANNEL	OPENABLE PVC DOOR	FRAMELESS FIXED GLASS PANEL ON 25MM U-CHANNEL
FRAME	FRAMELESS	150X50MM PVC FRAME	FRAMELESS
HARDWARE	1 NOS DOOR PANEL 2 NOS HINGES 1 NOS LOCK SET	1 NOS DOOR PANEL 4 NOS HINGES 1 NOS LOCK SET	1 NOS DOOR PANEL 2 NOS HINGES 1 NOS LOCK SET
GLAZING	12MM THICK TEMPERED GLASS	40MM THICK PVC DOOR	12MM THICK TEMPERED GLASS
VENT. AREA	-	-	-

## DOORS & WINDOWS SCHEDULE

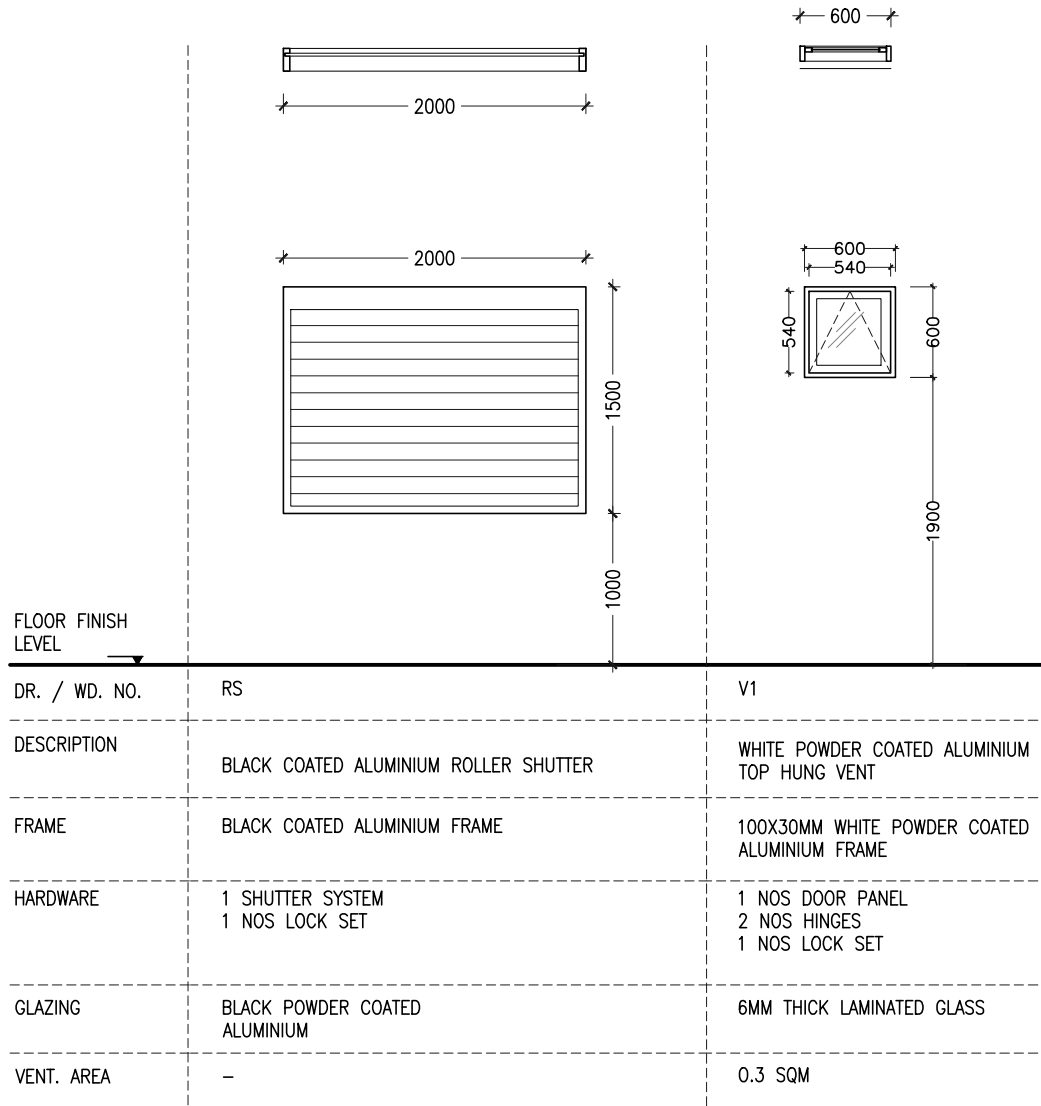
SCALE 1:50

FG - FIXED GLASS



DRAWN BY SHIYAZ	PROJECT NAME CAFE' AT CHILDREN PARK	DRAWING TITLE DOOR & WINDOWS SCHEDULE	DRAWING NO. A06
STRUCTURE BY AAFAAQ			REVISION NO.
SCALE AS GIVEN	CLIENT IHAVANDHOO COUNCIL		
PAPER FORMAT A4			
DIMENSION MM			
DATE 12.25.2022			





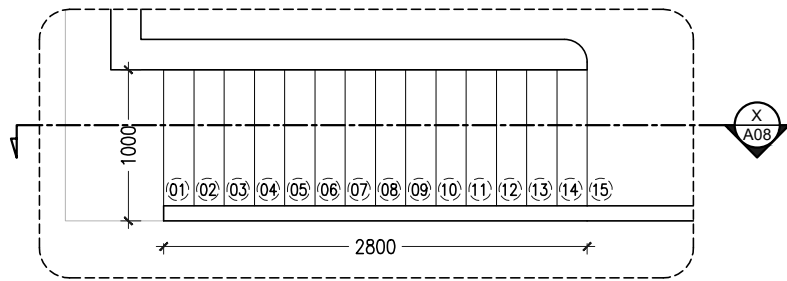
FG – FIXED GLASS



## DOORS & WINDOWS SCHEDULE

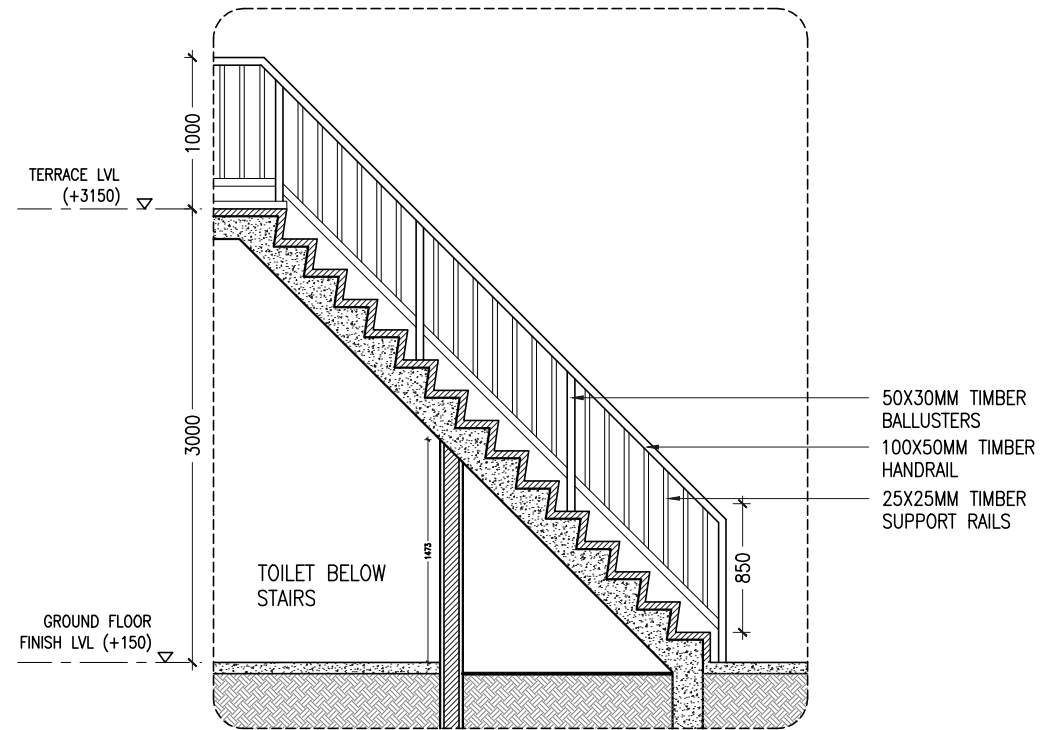
SCALE 1:50

DRAWN BY STRUCTURE BY	SHIYAZ AAFAAQ	PROJECT NAME CAFE' AT CHILDREN PARK	DRAWING TITLE DOOR & WINDOWS SCHEDULE	DRAWING NO. A07	REVISION NO.
SCALE	AS GIVEN	CLIENT IHAVANDHOO COUNCIL			
PAPER FORMAT	A4				
DIMENSION	MM				
DATE	12.25.2022				



### D1-STAIR DETAILS - PLAN

SCALE 1:50



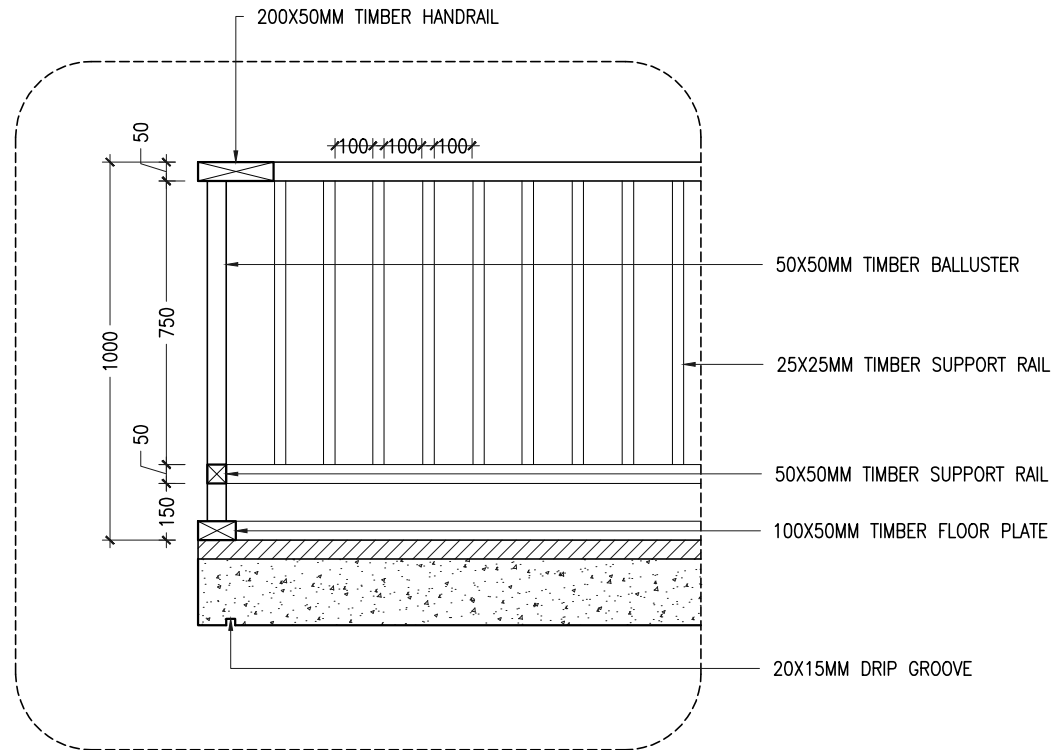
STAIR RISER = 200 MM  
STAIR TREAD = 230 MM

### STAIR DETAILS - SECTION X

SCALE 1:50



DRAWN BY SHIYAZ	PROJECT NAME CAFE' AT CHILDREN PARK	DRAWING TITLE STAIR DETAILS	DRAWING NO. A08	REVISION NO.
STRUCTURE BY AAFAAQ				
SCALE AS GIVEN	CLIENT IHAVANDHOO COUNCIL			
PAPER FORMAT A4				
DIMENSION MM				
DATE 12.25.2022				



## D2 - RAILING DETAILS

SCALE 1:20



DRAWN BY	SHIYAZ
STRUCTURE BY	AAFAAQ
SCALE	AS GIVEN
PAPER FORMAT	A4
DIMENSION	MM
DATE	12.25.2022

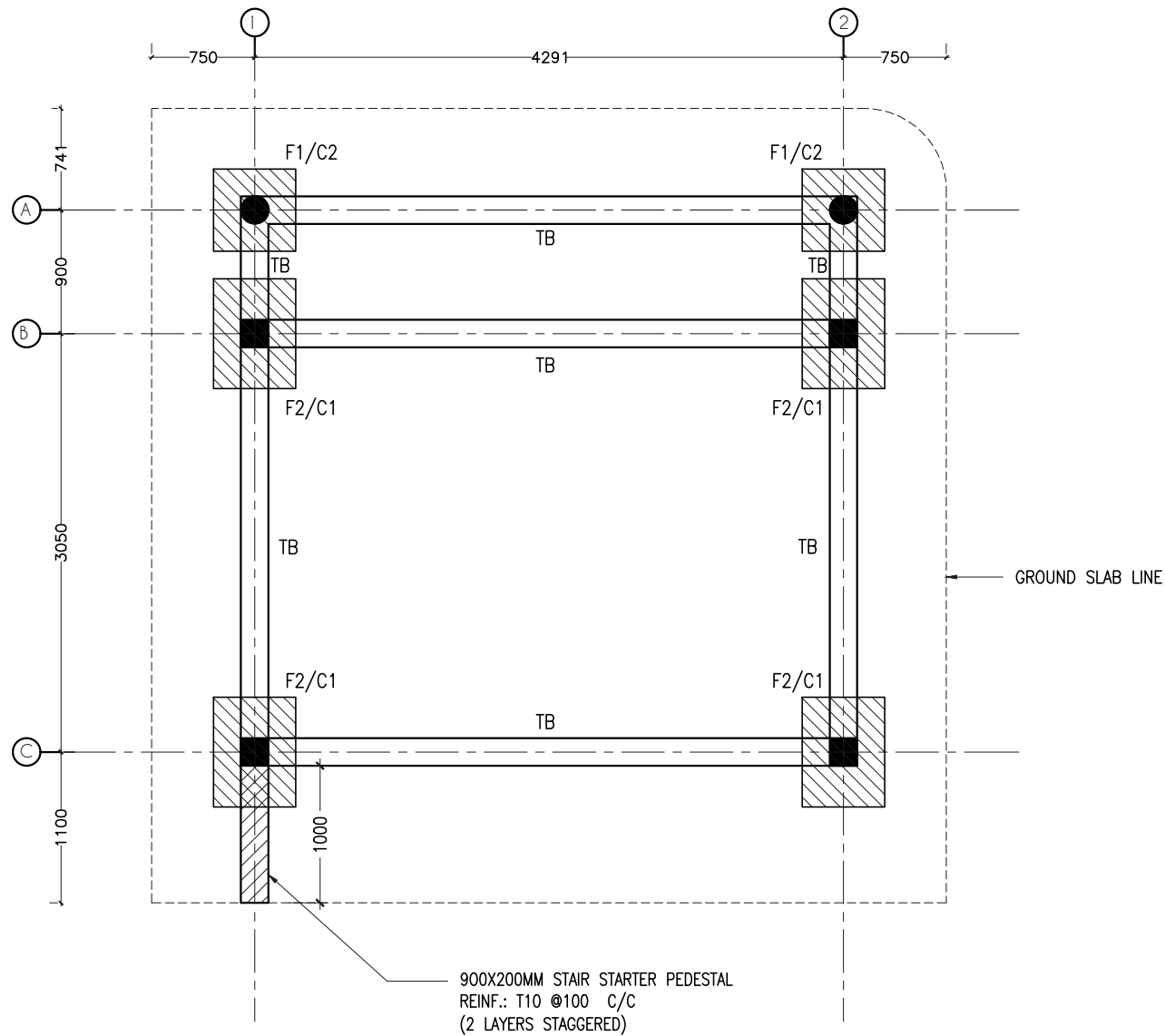
PROJECT NAME	CAFE' AT CHILDREN PARK
CLIENT	IHAVANDHOO COUNCIL

DRAWING TITLE	RAILING DETAIL
---------------	----------------

DRAWING NO.	REVISION NO.
A09	

**NOTES**

- ALL BEAMS ARE TB
- FOUNDATION DEPTH = 1200MM
- FOUNDATION COVER = 50MM
- GRID LINES ARE SET TO CENTER OF THE BEAMS



**FOUNDATION PLAN**

SCALE 1:100

**LEGEND**

NO	SIZE	REINFORCEMENT
F1	600 X 800 X 300	T12 @150 C/C
F2	600 X 600 X 300	T12 @150 C/C

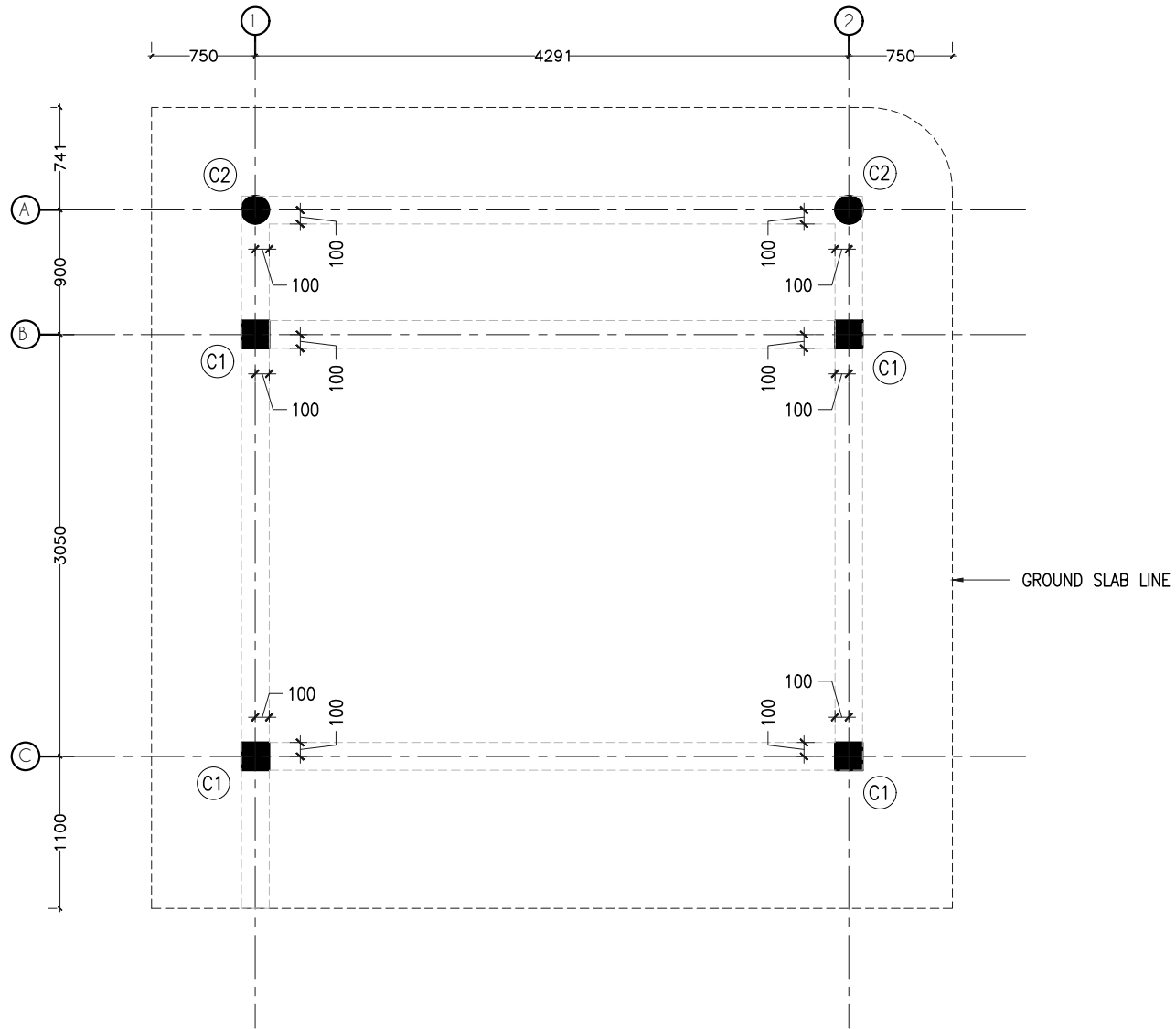


DRAWN BY	SHIYAZ
STRUCTURE BY	AAFAAQ
SCALE	AS GIVEN
PAPER FORMAT	A4
DIMENSION	MM
DATE	12.25.2022

PROJECT NAME	CAFE' AT CHILDREN PARK
CLIENT	IHAVANDHOO COUNCIL

DRAWING TITLE	FOUNDATION PLAN
---------------	-----------------

DRAWING NO.	REVISION NO.
S01	



**COLUMN LAYOUT**  
SCALE 1:100

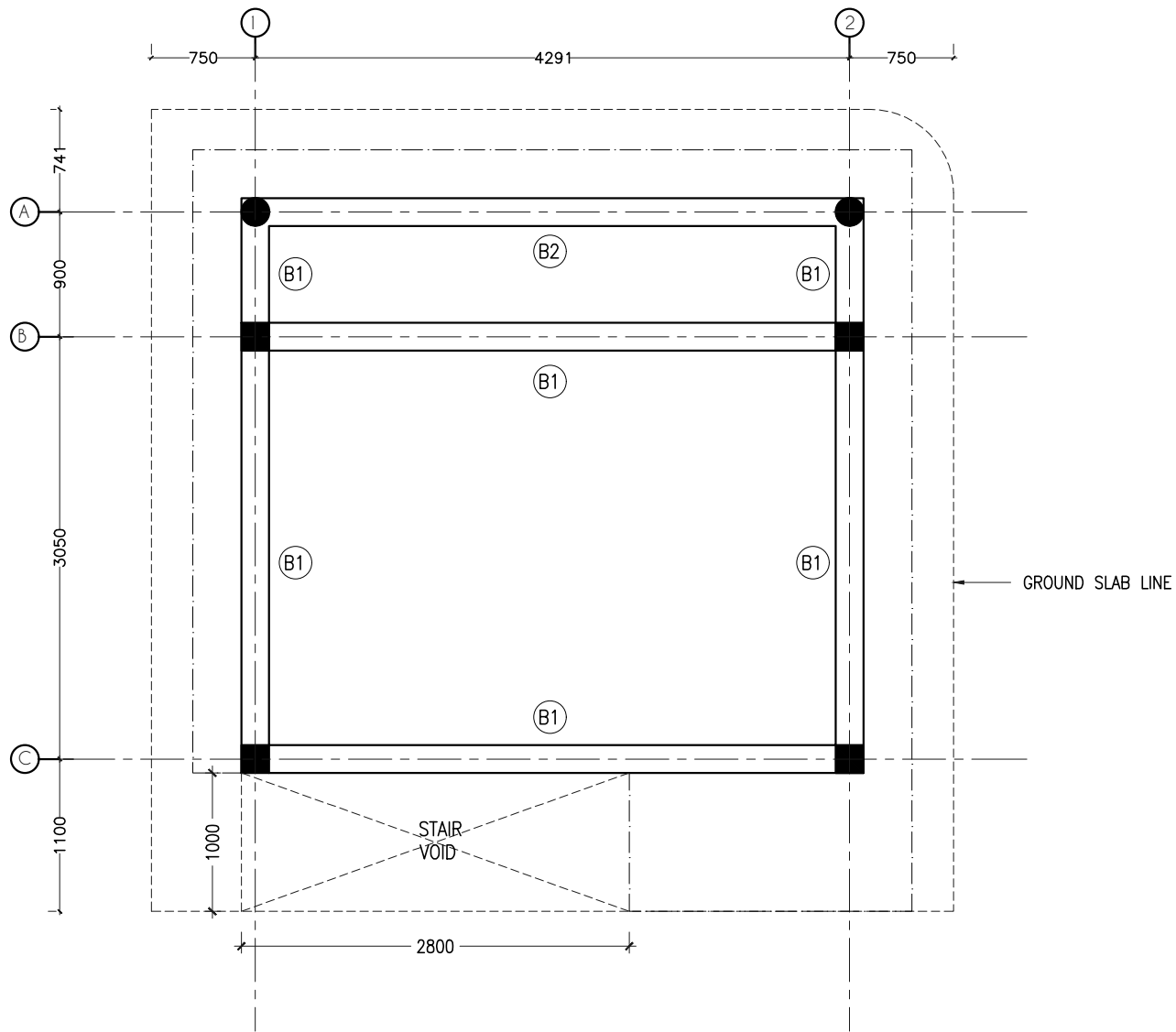


DRAWN BY	SHIYAZ
STRUCTURE BY	AAFAAQ
SCALE	AS GIVEN
PAPER FORMAT	A4
DIMENSION	MM
DATE	12.25.2022

PROJECT NAME	CAFE' AT CHILDREN PARK
CLIENT	IHAVANDHOO COUNCIL

DRAWING TITLE	COLUMN LAYOUT
---------------	---------------

DRAWING NO.	REVISION NO.
S02	



**TERRACE BEAM PLAN**  
SCALE 1:100

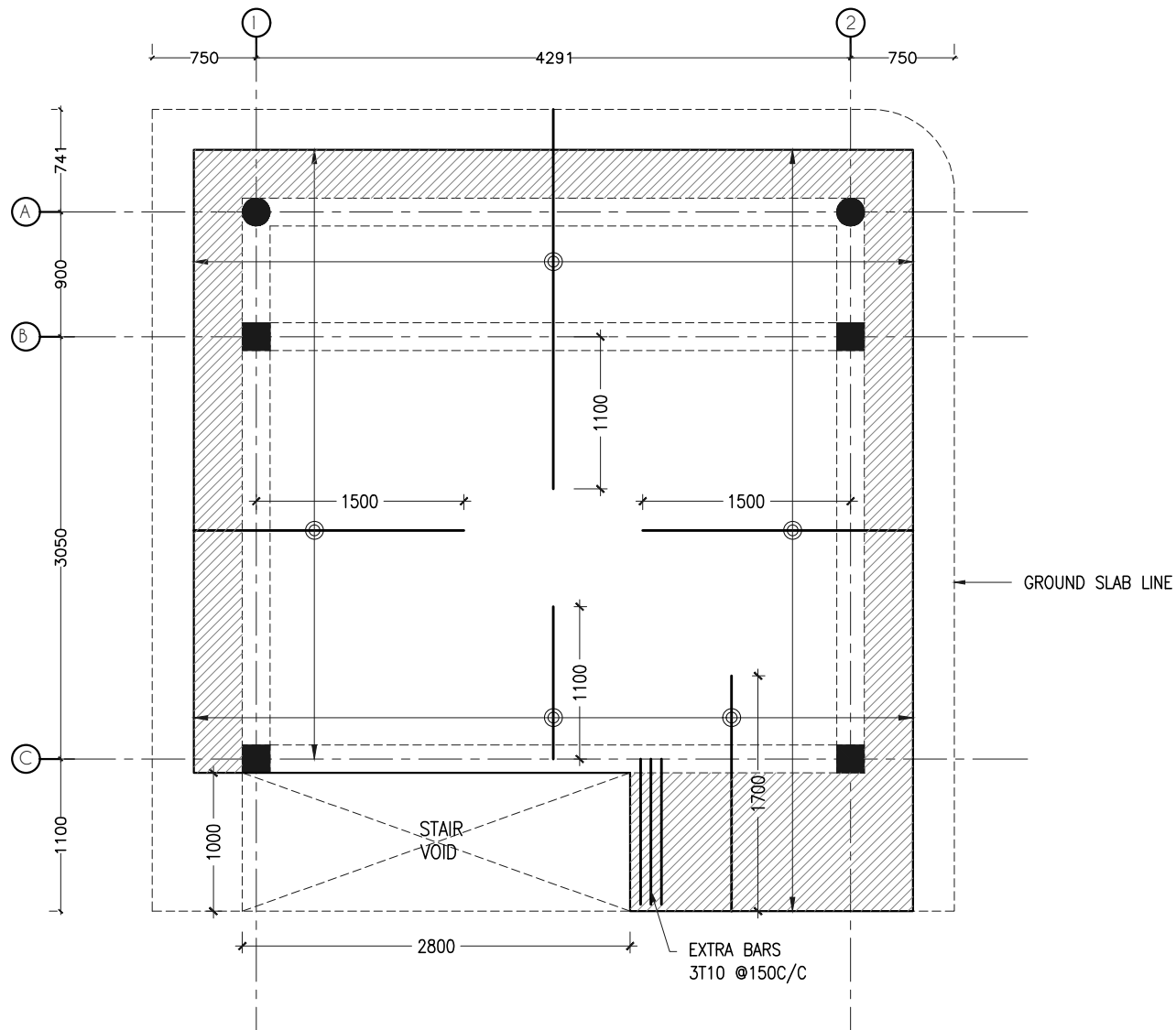


DRAWN BY SHIYAZ  
STRUCTURE BY AAFAAQ  
  
SCALE AS GIVEN  
PAPER FORMAT A4  
DIMENSION MM  
DATE 12.25.2022

PROJECT NAME  
CAFE' AT CHILDREN PARK  
  
CLIENT  
HAVANDHOO COUNCIL

DRAWING TITLE  
TERRACE BEAM  
PLAN

DRAWING NO. REVISION NO.  
**S03**



**NOTES**

- SLAB THICKNESS = 150MM
- SLAB THICKNESS OF HATCHED AREA = 175MM
- TOP REINFORCEMENT = T10 @200 C/C AS SHOWN, EXCEPT WHERE SPECIFIED
- BOTTOM/MAIN REINFORCEMENT = T10 @150 C/C BW (NOT SHOWN)
- TOP DISTRIBUTION STEEL = T10 @200 C/C (NOT SHOWN)
- ALL EXTRA BARS 3T10 @75 C/C
- ALL REINFORCEMENTS ARE DISCONTINUOUS OVER VOIDS
- COVER TO SLAB REINFORCEMENT = 25MM

**TERRACE SLAB  
REINFORCEMENT PLAN**

SCALE 1:100

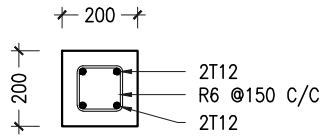


DRAWN BY	SHIYAZ
STRUCTURE BY	AAFAAQ
SCALE	AS GIVEN
PAPER FORMAT	A4
DIMENSION	MM
DATE	12.25.2022

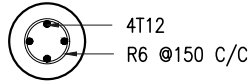
PROJECT NAME	CAFE' AT CHILDREN PARK
CLIENT	IHAVANDHOO COUNCIL

DRAWING TITLE	TERRACE BEAM PLAN
---------------	-------------------

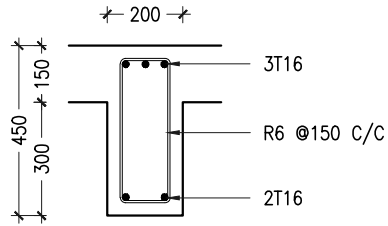
DRAWING NO.	REVISION NO.
S04	



(C1)

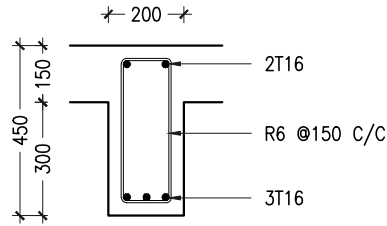


(C2)

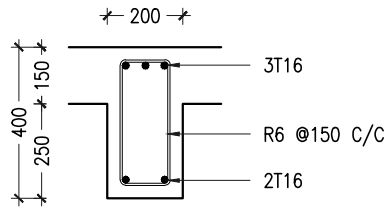


SUPPORT

(B1)

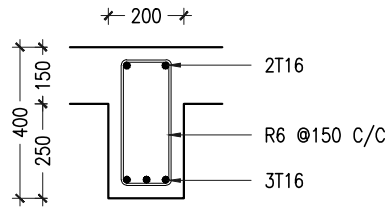


MID SPAN

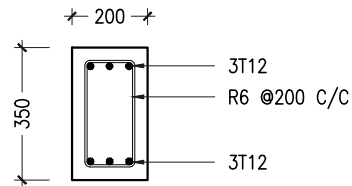


SUPPORT

(B2)



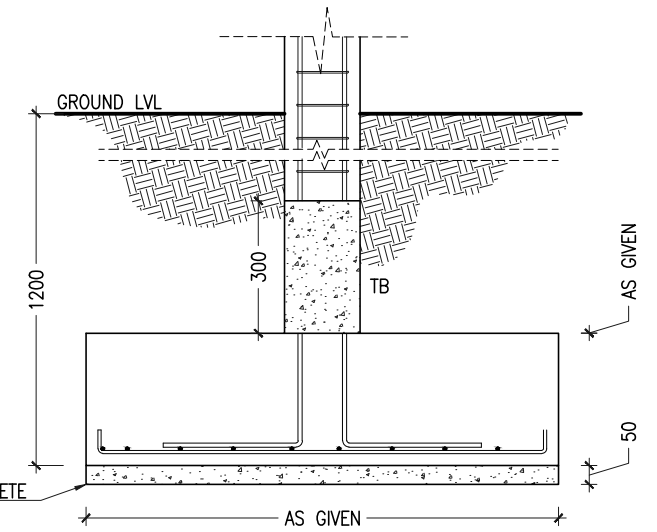
MID SPAN



(TB)

## STRUCTURAL DETAILS

SCALE 1:20



## TYPICAL FOUNDATION DETAIL

SCALE 1:20

### NOTES

- MINIMUM COVER TO REINFORCEMENT:  
FOUNDATION = 50MM  
SLAB = 25MM  
BEAMS = 30MM  
COLUMNS = 40MM
- BEAMS BEND-UP BARS = 12XDIA  
ANCHOR BARS = 55XDIA  
LAPPING BARS = 45XDIA  
BEAMS @END SUPPORT = 12XDIA  
MID BARS = 0.85 X SPAN  
SUPPORT BARS = 1/3 X SPAN
- LINTELS OVER ALL DOORS, WINDOWS (THAT DO NOT RISE TO BEAM LEVEL) AND STRUCTURAL OPENING
- MIX RATIO = 1:2:3  
(CEMENT : SAND : AGGREGATE)



DRAWN BY SHIYAZ  
STRUCTURE BY AAFAAQ  
SCALE AS GIVEN  
PAPER FORMAT A4  
DIMENSION MM  
DATE 12.25.2022

PROJECT NAME  
CAFE' AT CHILDREN PARK  
CLIENT  
IHAVANDHOO COUNCIL

DRAWING TITLE  
STRUCTURAL  
DETAILS

DRAWING NO. S05  
REVISION NO.