

CAFE' AT CHILDREN PARK
HA.IHAVANDHOO
SERVICE DRAWINGS

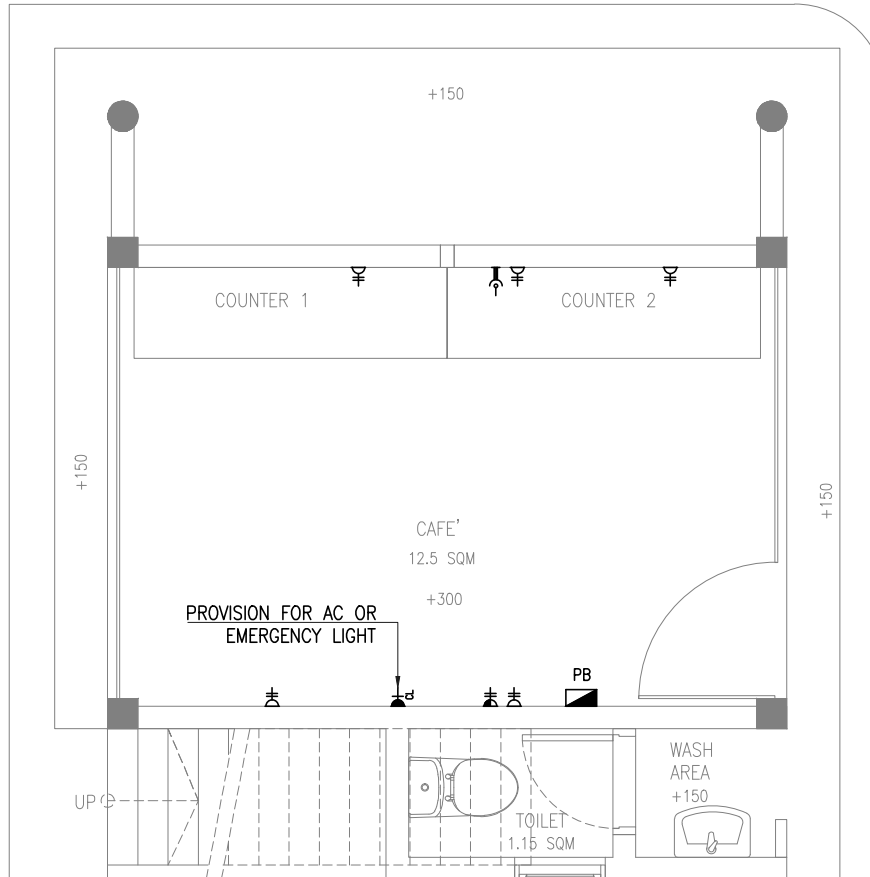
JANUARY 2023



SHIYAX DESIGNS

+960 9820118

shiyaz1996@gmail.com



LEGEND

SYMBOL	DESCRIPTION
D+	1 GANG13A SOCKET OUTLET AT 300mm ABOVE FINISHED FLOOR LEVEL
D#	2 GANG13A SOCKET OUTLET AT 300mm ABOVE FINISHED FLOOR LEVEL
D _{wp}	1 GANG13A SOCKET OUTLET IN WEATHER PROOF COVER
D+	1 GANG13A SOCKET OUTLET AT 1200mm ABOVE FINISHED FLOOR LEVEL
D#	2 GANG13A SOCKET OUTLET AT 1200mm ABOVE FINISHED FLOOR LEVEL
D+	1 GANG15A SOCKET OUTLET
D _a	1 GANG15A SOCKET OUTLET AT CEILING LEVEL
⌋	SINGLE GANG COMPUTER NETWORK OUTLET AT 300MM ABOVE FFL (RJ 45 CONNECTORS, CAT 6, TIA/EIA-568B STANDARD)
▣	PANEL BOARD

POWER SOCKET LAYOUT - GROUND FLOOR

SCALE 1:50

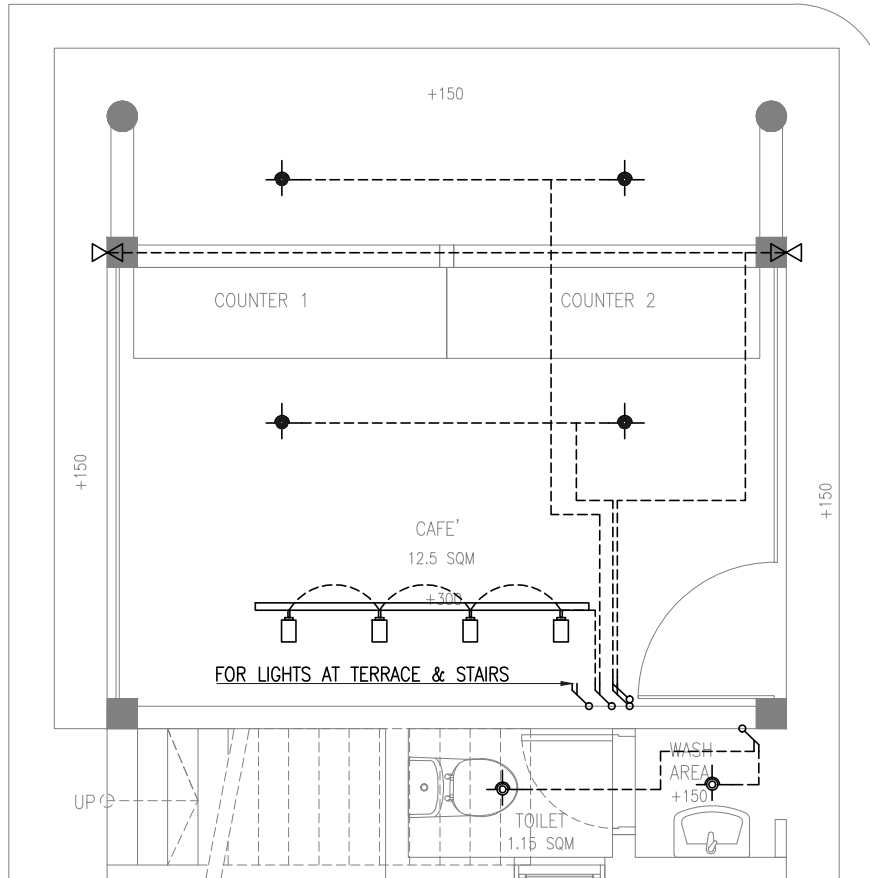


DRAWN BY	SHIYAZ
STRUCTURE BY	AAFAAQ
SCALE	AS GIVEN
PAPER FORMAT	A4
DIMENSION	MM
DATE	12.25.2022

PROJECT NAME	CAFE' AT CHILDREN PARK
CLIENT	IHAVANDHOO COUNCIL

DRAWING TITLE	POWER SOCKET LAYOUT - GROUND FLOOR
---------------	------------------------------------

DRAWING NO.	REVISION NO.
E01	



LEGEND

SYMBOL	DESCRIPTION
	1GANG 1 WAY SWITCH
	2GANG 1 WAY SWITCH
	3 GANG 1 WAY SWITCH
	4 GANG 1 WAY SWITCH
	5 GANG 1 WAY SWITCH
	1GANG 2 WAY SWITCH
	1X8W WHITE LED LAMPS IN RECESSED DECORATIVE LUMINAIRE
	1X12W WHITE LED LAMPS IN RECESSED DECORATIVE LUMINAIRE
	1X10W WARM WHITE LED LIGHT IN CEILING RECESSED TRACK
	1X12W WARM WHITE LED WEATHER PROOF UP & DOWN LIGHT
	1X12W WARM WHITE LED WALL RECESSED WEATHER PROOF STAIR LIGHT
	1X12W WARM WHITE LED STRIP FIXED TO HAND RAIL

LIGHTING PLAN - GROUND FLOOR

SCALE 1:50

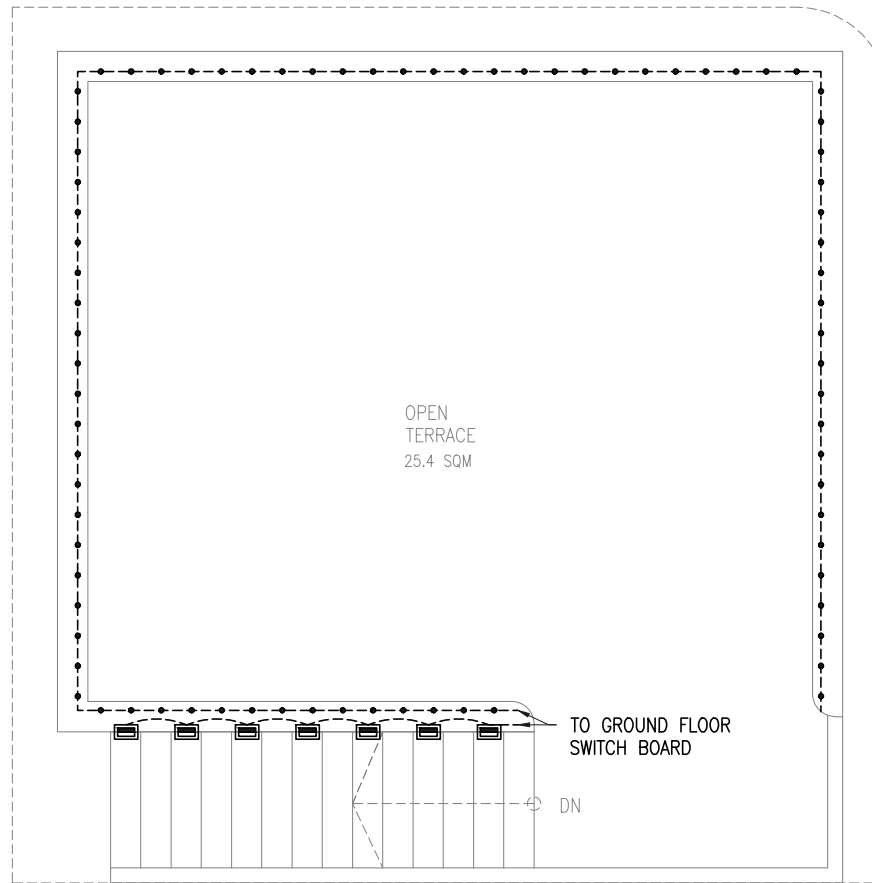


DRAWN BY SHIYAZ
STRUCTURE BY AAFAAQ
SCALE AS GIVEN
PAPER FORMAT A4
DIMENSION MM
DATE 12.25.2022

PROJECT NAME
CAFE' AT CHILDREN PARK
CLIENT
IHAVANDHOO COUNCIL

DRAWING TITLE
LIGHTING PLAN -
GROUND FLOOR

DRAWING NO. REVISION NO.
E02



LEGEND

SYMBOL	DESCRIPTION
	1GANG 1 WAY SWITCH
	2GANG 1 WAY SWITCH
	3 GANG 1 WAY SWITCH
	4 GANG 1 WAY SWITCH
	5 GANG 1 WAY SWITCH
	1GANG 2 WAY SWITCH
	1X8W WHITE LED LAMPS IN RECESSED DECORATIVE LUMINAIRE
	1X12W WHITE LED LAMPS IN RECESSED DECORATIVE LUMINAIRE
	1X10W WARM WHITE LED LIGHT IN CEILING RECESSED TRACK
	1X12W WARM WHITE LED WEATHER PROOF UP & DOWN LIGHT
	1X12W WARM WHITE LED WALL RECESSED WEATHER PROOF STAIR LIGHT
	1X12W WARM WHITE LED STRIP FIXED TO HAND RAIL

LIGHTING PLAN - TERRACE FLOOR

SCALE 1:50

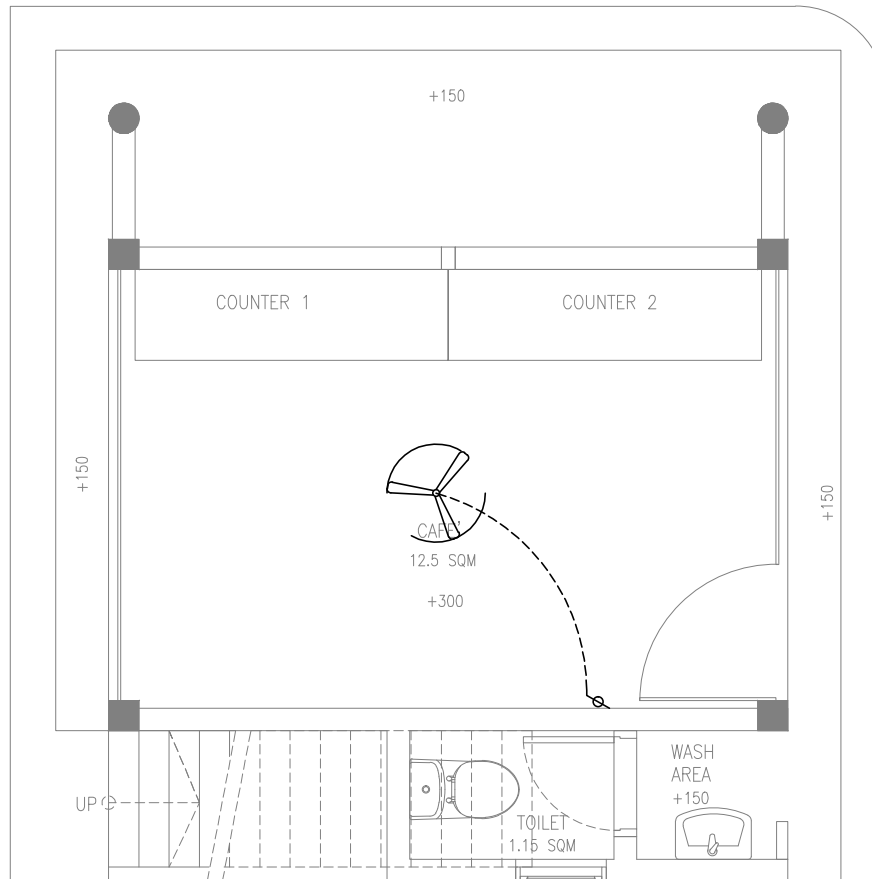


DRAWN BY SHIYAZ
STRUCTURE BY AAFAAQ
SCALE AS GIVEN
PAPER FORMAT A4
DIMENSION MM
DATE 12.25.2022

PROJECT NAME
CAFE' AT CHILDREN PARK
CLIENT
IHAVANDHOO COUNCIL

DRAWING TITLE
LIGHTING PLAN -
TERRACE FLOOR

DRAWING NO. REVISION NO.
E03



LEGEND

SYMBOL	DESCRIPTION
	FAN SWITCH
	DIA.900MM CEILING FAN
	AIR- CONDITIONING OUTDOOR UNIT WALL MOUNTED
	AIR- CONDITIONING INDOOR UNIT WALL MOUNTED

VENTILATION PLAN - GROUND FLOOR

SCALE 1:50



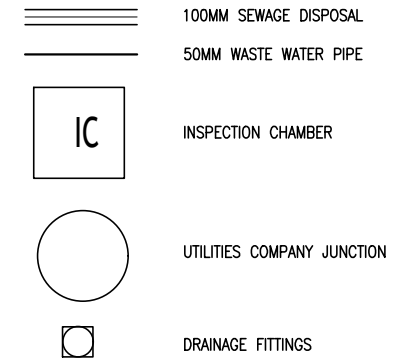
DRAWN BY	SHIYAZ
STRUCTURE BY	AAFAAQ
SCALE	AS GIVEN
PAPER FORMAT	A4
DIMENSION	MM
DATE	12.25.2022

PROJECT NAME	CAFE' AT CHILDREN PARK
CLIENT	IHAVANDHOO COUNCIL

DRAWING TITLE	VENTILATION PLAN - GROUND FLOOR
---------------	------------------------------------

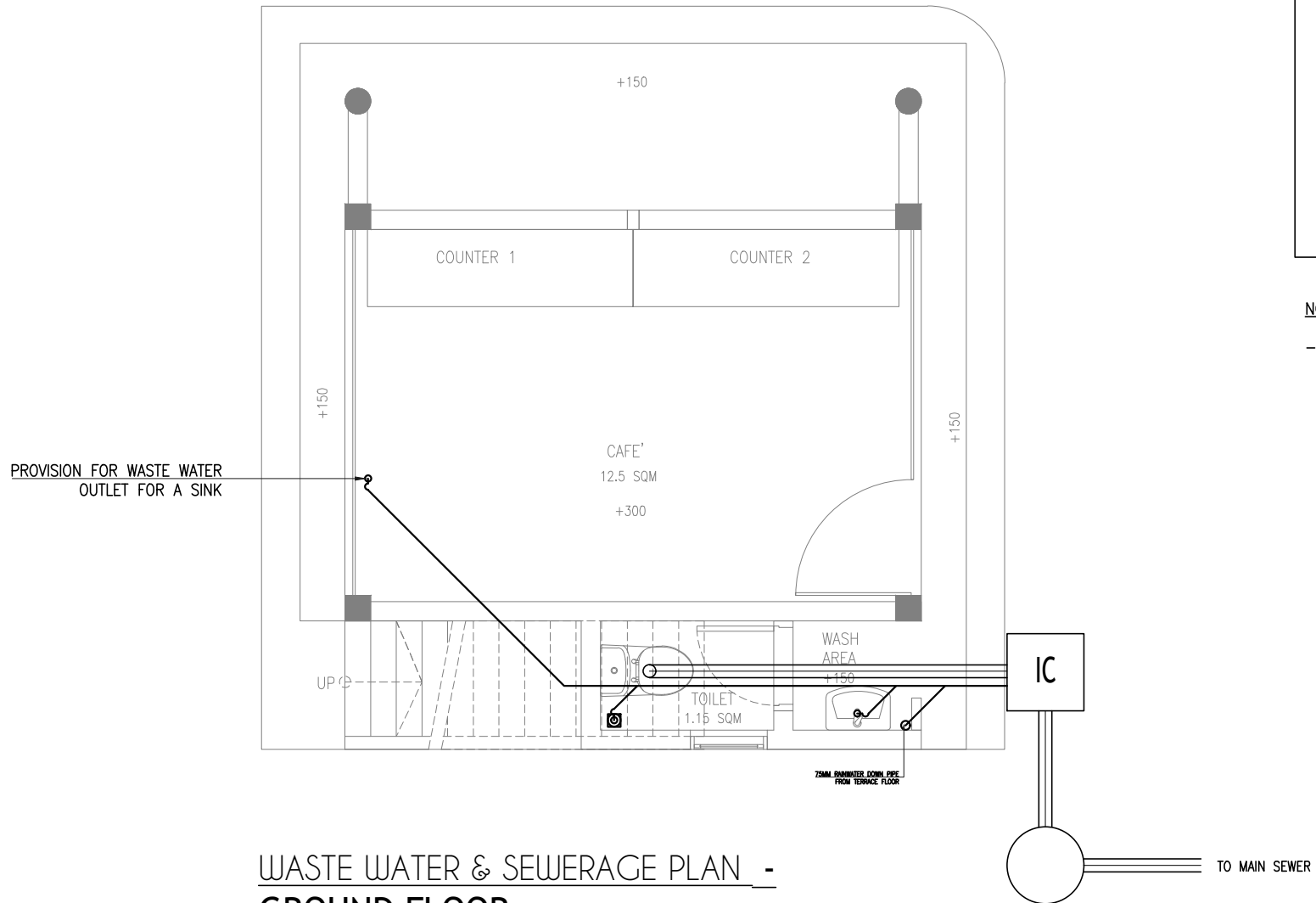
DRAWING NO.	REVISION NO.
E04	

LEGEND



NOTES

- PROVIDE DRY GREEK BED FOR RAIN WATER DRAINAGE



WASTE WATER & SEWERAGE PLAN - GROUND FLOOR

SCALE 1:50

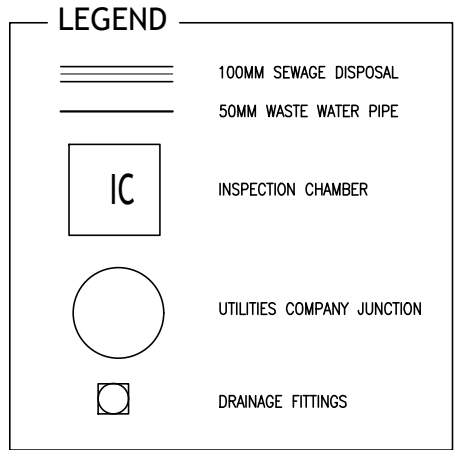
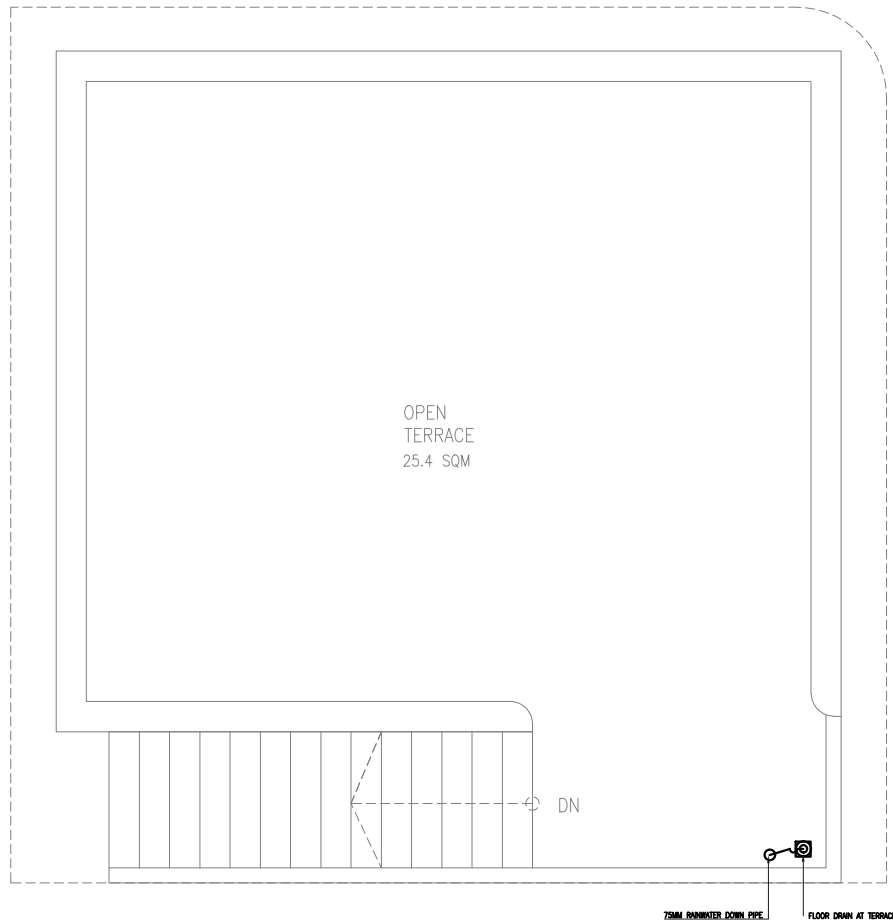


DRAWN BY	SHIYAZ
STRUCTURE BY	AAFAAQ
SCALE	AS GIVEN
PAPER FORMAT	A4
DIMENSION	MM
DATE	12.25.2022

PROJECT NAME	CAFE' AT CHILDREN PARK
CLIENT	IHAVANDHOO COUNCIL

DRAWING TITLE	WASTE WATER & SEWERAGE PLAN - GROUND FLOOR
---------------	--

DRAWING NO.	REVISION NO.
P01	



NOTES

- PROVIDE DRY GREEK BED FOR RAIN WATER DRAINAGE

**WASTE WATER & SEWERAGE PLAN -
TERRACE FLOOR**

SCALE 1:50



DRAWN BY	SHIYAZ
STRUCTURE BY	AAFAAQ
SCALE	AS GIVEN
PAPER FORMAT	A4
DIMENSION	MM
DATE	12.25.2022

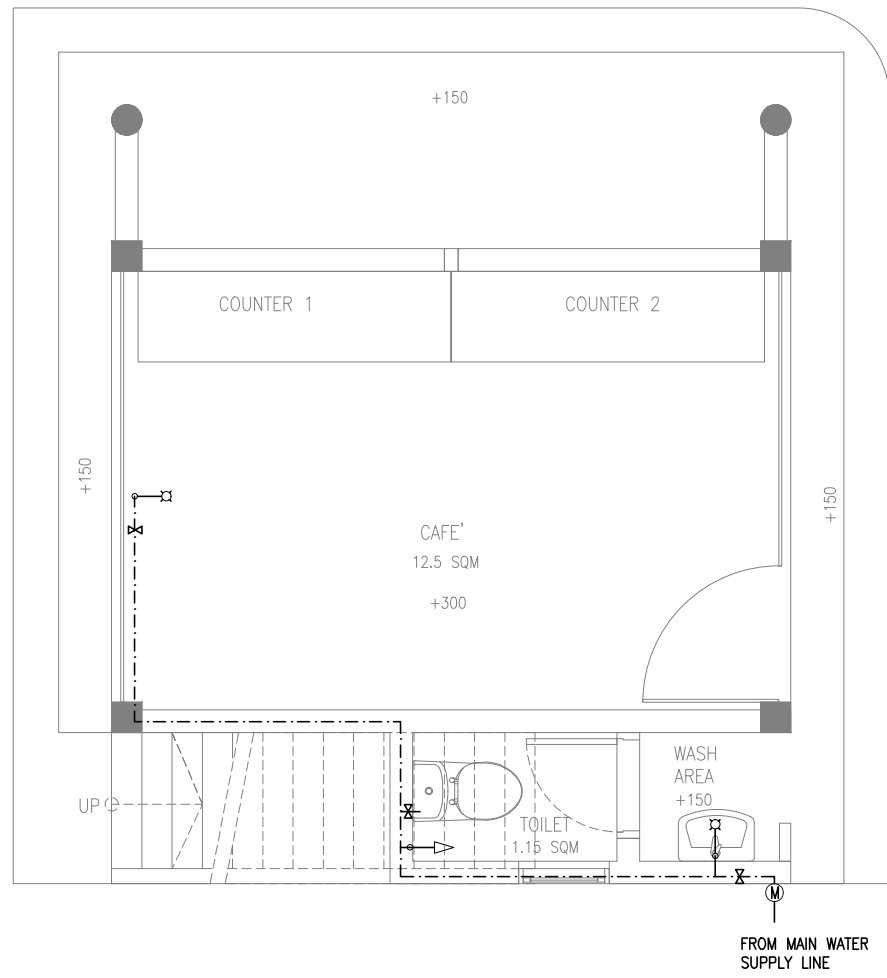
PROJECT NAME	CAFE' AT CHILDREN PARK
CLIENT	IHAVANDHOO COUNCIL

DRAWING TITLE	WASTE WATER & SEWERAGE PLAN - TERRACE FLOOR
---------------	---

DRAWING NO.	REVISION NO.
P02	

LEGEND

- 12-25MM MWSC WATER SUPPLY
- ⊗ GATE VALVE
- ⊕ FAUCET
- ⊙ MUSLIM SHOWER
- (M) WATER METER



**WATER SUPPLY LAYOUT -
GROUND FLOOR**

SCALE 1:50



DRAWN BY	SHIYAZ
STRUCTURE BY	AAFAAQ
SCALE	AS GIVEN
PAPER FORMAT	A4
DIMENSION	MM
DATE	12.25.2022

PROJECT NAME	CAFE' AT CHILDREN PARK
CLIENT	IHAVANDHOO COUNCIL

DRAWING TITLE	WATER SUPPLY LAYOUT - GROUND FLOOR
----------------------	------------------------------------

DRAWING NO.	REVISION NO.
P03	