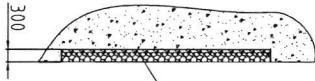




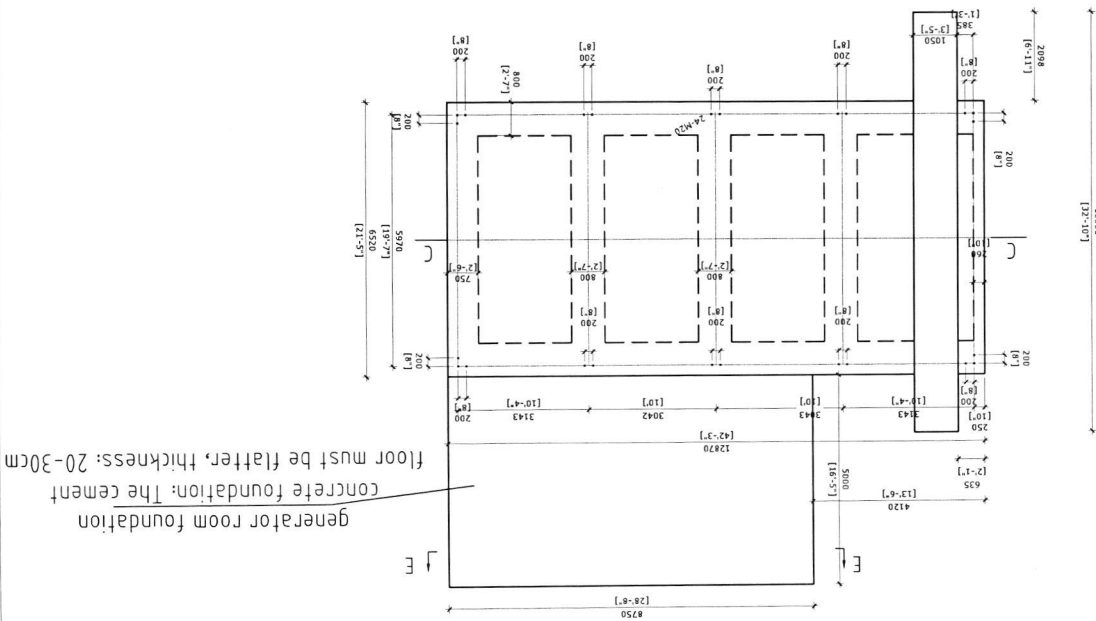
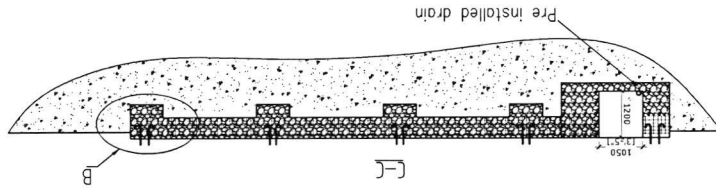




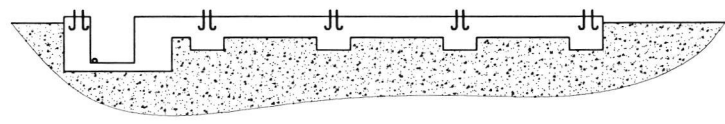
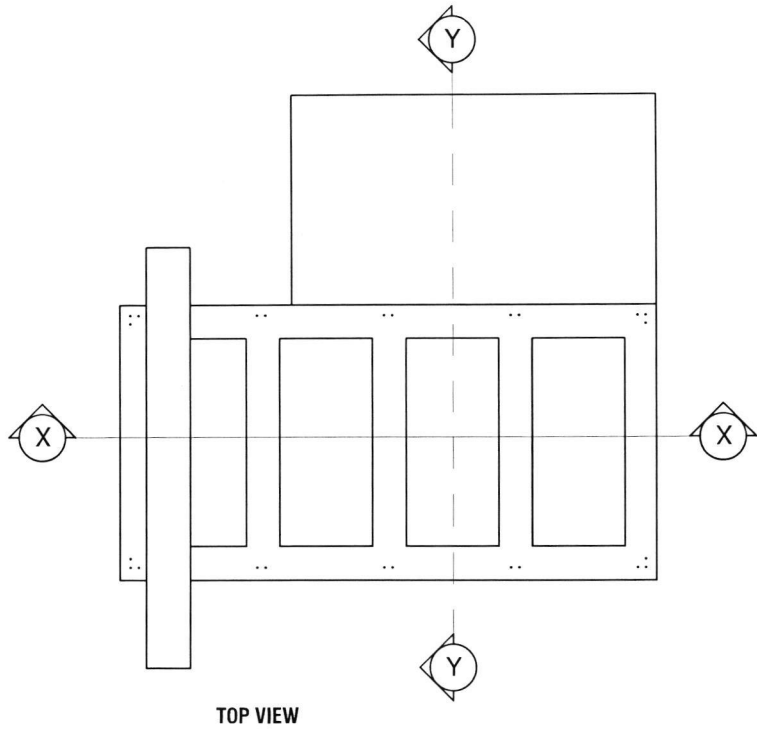
generator room foundation  
concrete foundation: The cement  
floor must be flatter, thickness: 300mm



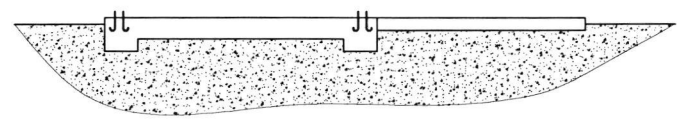
Remarks: The cement floor must be flatter




generator room foundation  
concrete foundation: The cement  
floor must be flatter, thickness: 20-30cm

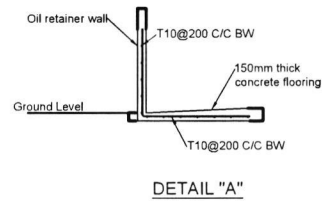
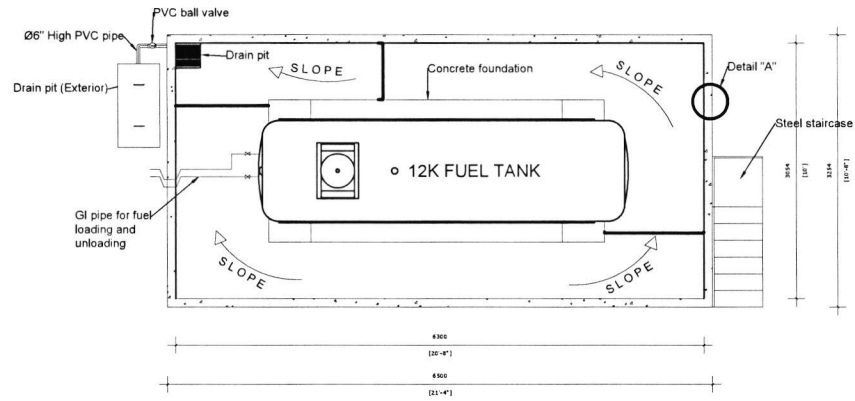


**SECTION X-X**

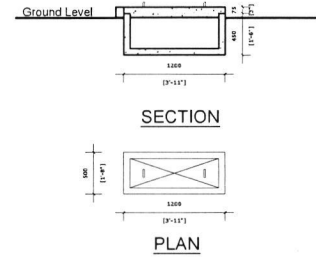


**SECTION Y-Y**

|  |  |                     |   |
|--|--|---------------------|---|
| PROJECT TITLE:<br>ICE PLANT FOUNDATION<br><br>DRAWING TITLE: | CLIENT:<br>MALDIVES INDUSTRIAL FISHERIES COMPANY LIMITED | DATE:<br>23/01/2023 |  |
|--|--|---------------------|---|



REINFORCEMENT DETAIL



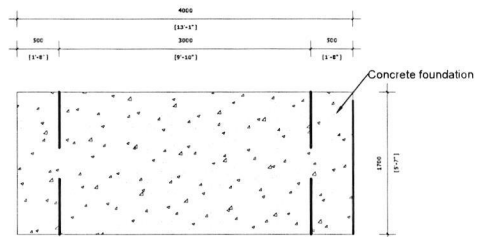
DRAIN PIT (EXTERNAL)

PROJECT TITLE:  
ICE PLANT CONCRETE WORKS  
  
DRAWING TITLE:

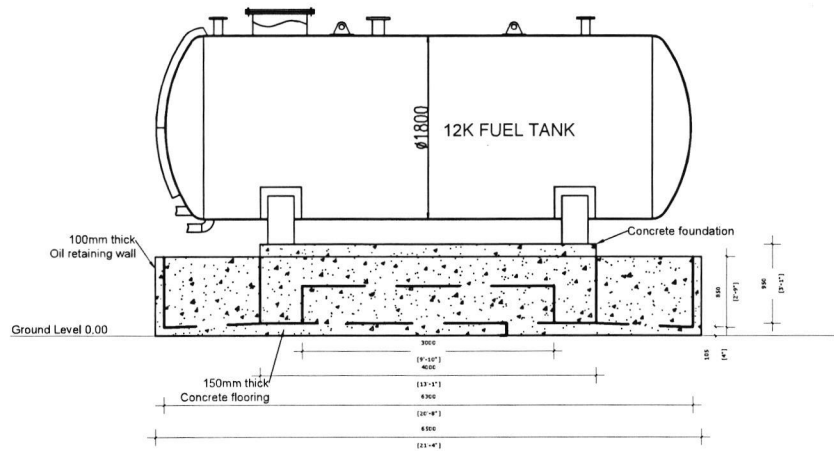
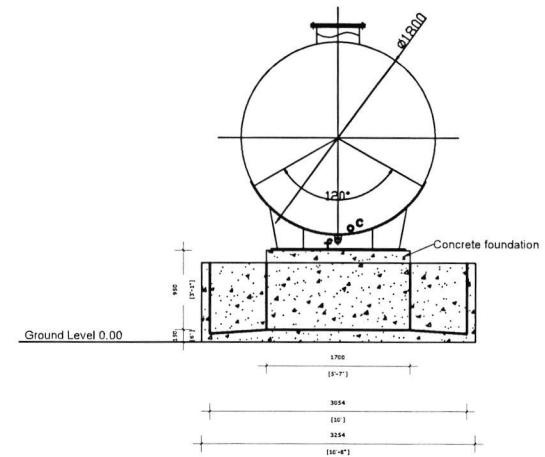
CLIENT:  
MALDIVES INDUSTRIAL FISHERIES COMPANY LIMITED

DATE:  
23/01/2023





top view



PROJECT TITLE:  
ICE PLANT CONCRETE WORKS  
  
DRAWING TITLE:

CLIENT:  
MALDIVES INDUSTRIAL FISHERIES COMPANY LIMITED

DATE:  
23/01/2023

