

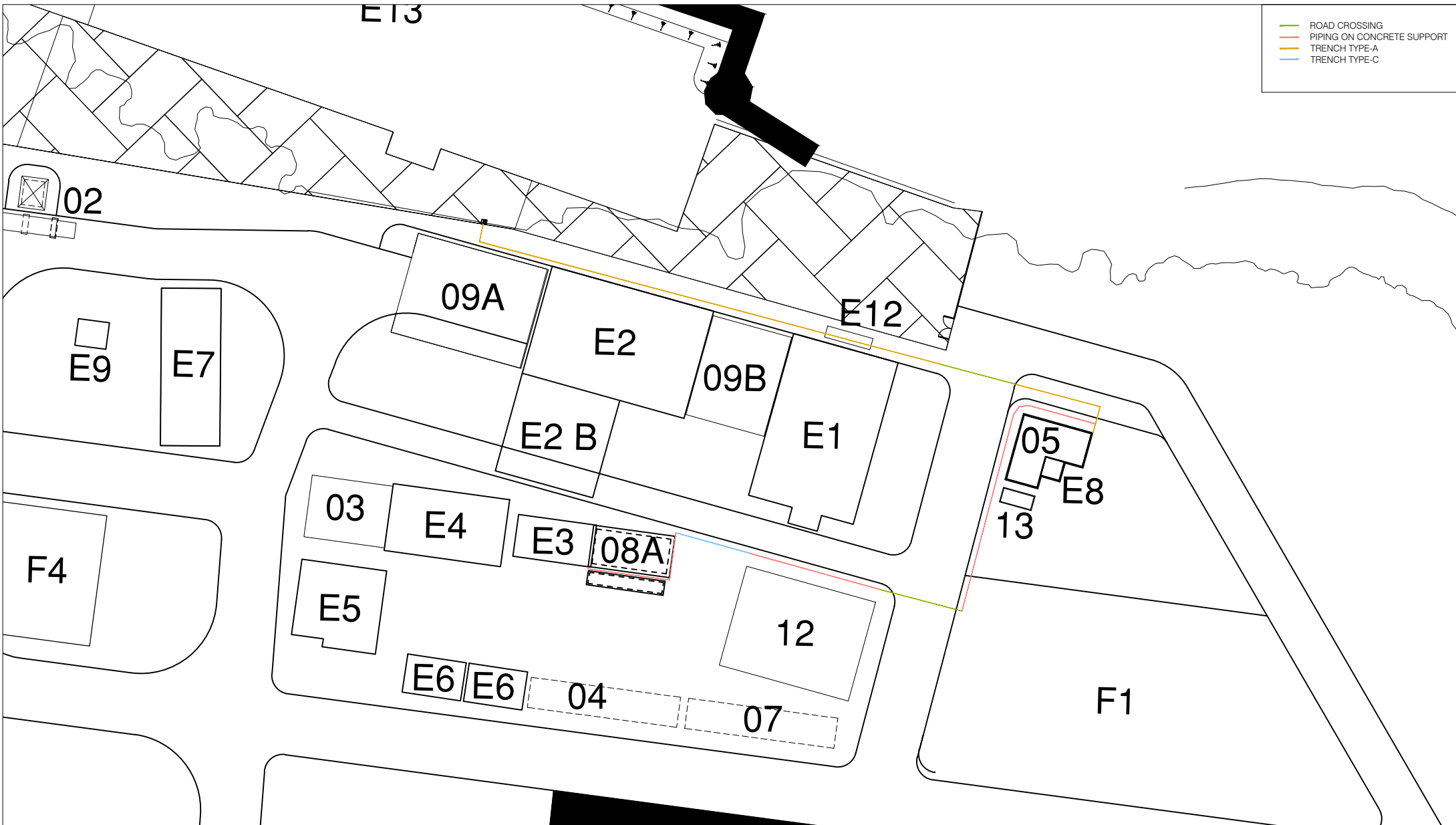
CONSTRUCTION OF NEW FUEL STORAGE TANKS, PUMP ROOM AND FUEL PIPE TRENCH  
RELOCATION OF EXISTING FUEL STORAGE TANKS - R. VANDHOO



PREPARED BY:  
MALDIVES CLEAN ENVIRONMENT PROJECT  
MINISTRY OF ENVIRONMENT

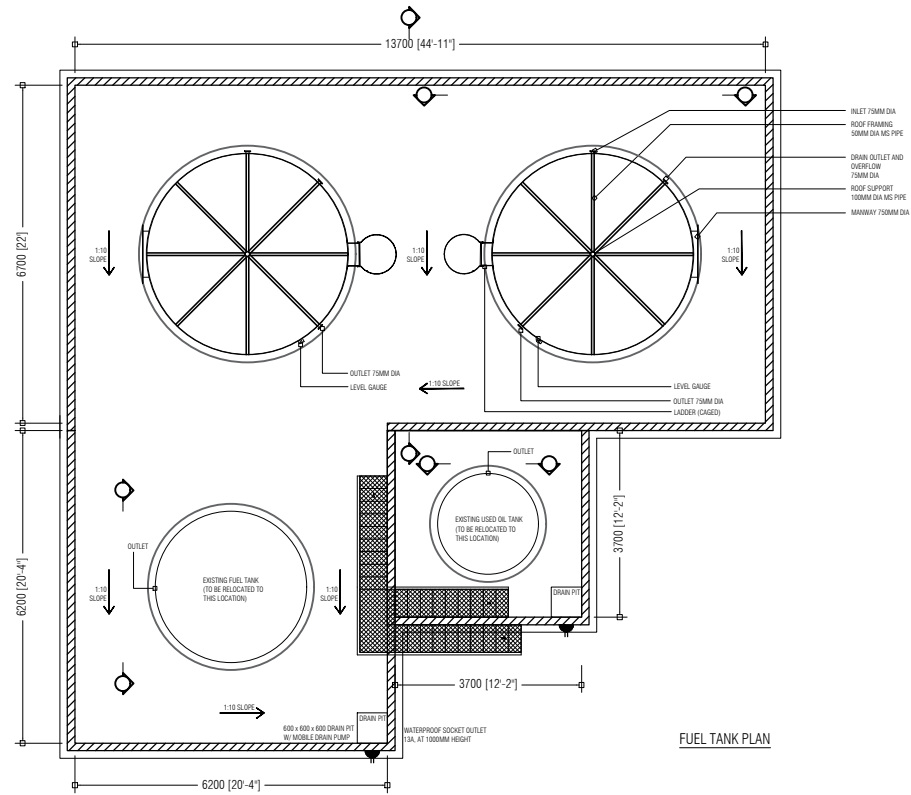
---


SEPTEMBER 2020

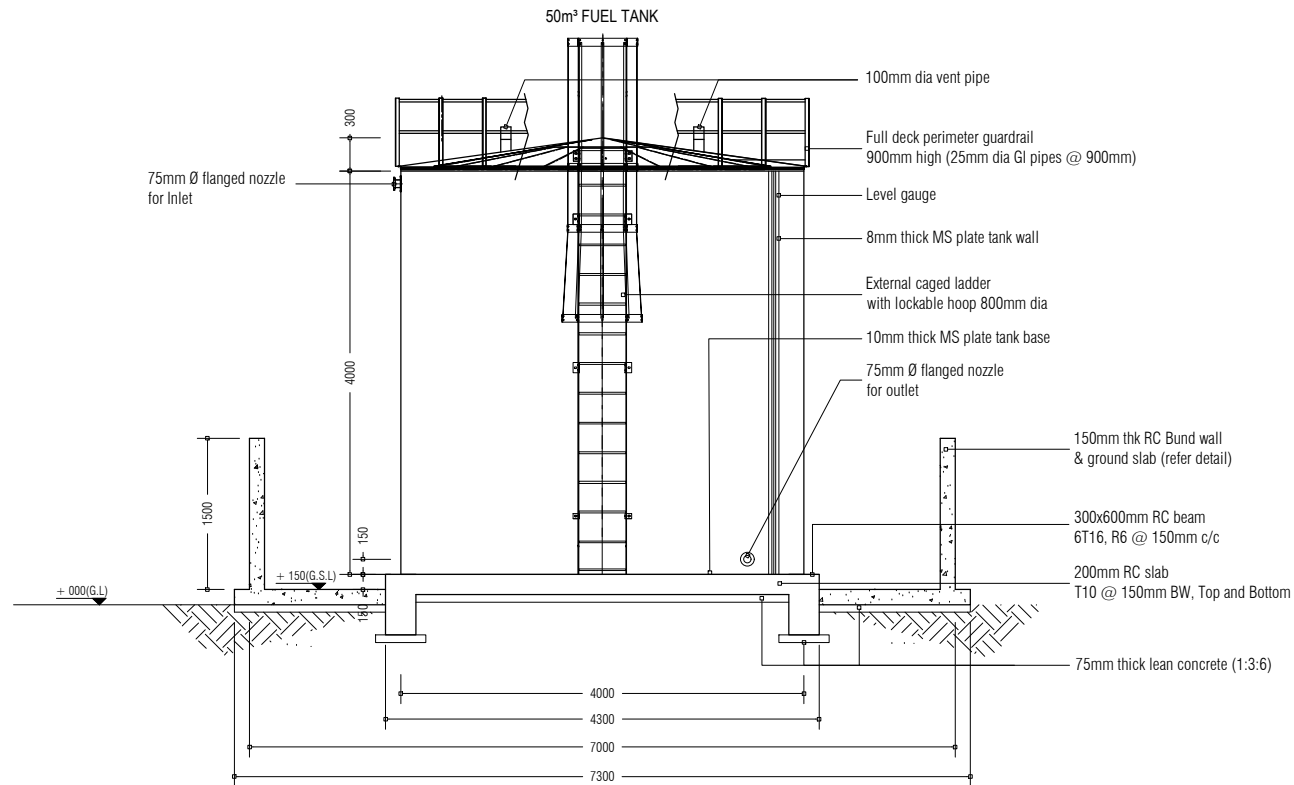


- ROAD CROSSING
- PIPING ON CONCRETE SUPPORT
- TRENCH TYPE-A
- TRENCH TYPE-C


<p>APPROVED BY</p> <p><b>MCEP</b> MINISTRY OF ENVIROMENT GREEN BUILDING, HANDHUVAREE HIGUN, MAAFANNU, MALE (20392), REPUBLIC OF MALDIVES, TEL: +960-3018431, +960-3018300, FAX: +960-328301</p>	<b>PROJECT</b>	<b>DESIGN BY</b>	<b>AMENDMENTS</b>
	CONSTRUCTION OF NEW FUEL STORAGE TANKS R. VANDHOO	AFRAZ	FUEL TANK LOCATION CHANGED
	<b>TITLE</b>	<b>STRUCTURE BY</b>	
	SITE LAYOUT	AFRAZ	
	<b>CLIENT DEPARTMENT</b>	<b>DRAWN BY</b>	
	WMPC DEPARTMENT	AFRAZ	
<b>PAPER SIZE</b>	A4	<b>SCALE</b>	1:1000
<b>PAGE NO.</b>	01	<b>DWG NO.</b>	VNDADFUEL A0-01(R)
		<b>DATE</b>	14.01.2021

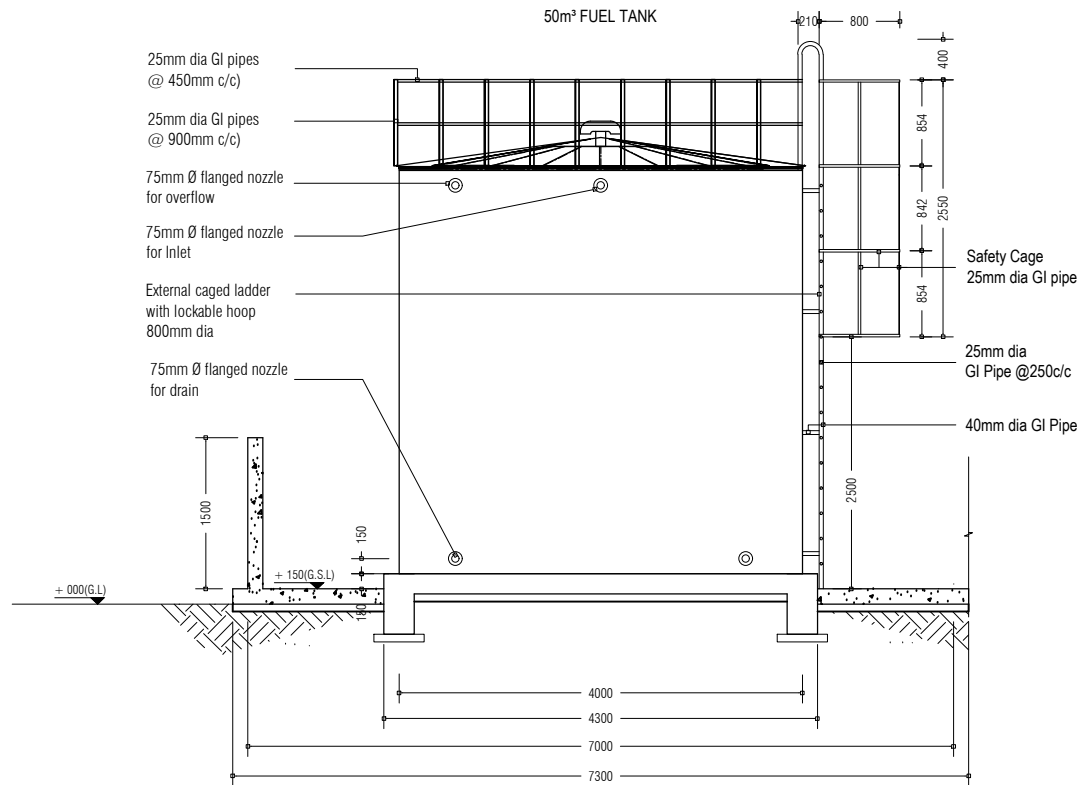



APPROVED BY	PROJECT	DESIGN BY	AMENDMENTS
 <b>MCEP</b> MINISTRY OF ENVIROMENT GREEN BUILDING, HANDHUVAAREE HIGUN, MAAFANNU, MALE' (20392), REPUBLIC OF MALDIVES, TEL: +960-3018431, +960-3018300, FAX: +960-328301	CONSTRUCTION OF NEW FUEL STORAGE TANKS R. VANDHOO	AFRAZ	
	<b>TITLE</b> PLAN	<b>STRUCTURE BY</b> AFRAZ	
	<b>CLIENT DEPARTMENT</b> WMPC DEPARTMENT	<b>DRAWN BY</b> AFRAZ	
	<b>PAPER SIZE</b> A4	<b>SCALE</b> 1:150	
	<b>PAGE NO.</b> 02	<b>DWG NO.</b> VNDADFUEL A1-02	
		<b>DATE</b> 21.04.2020	

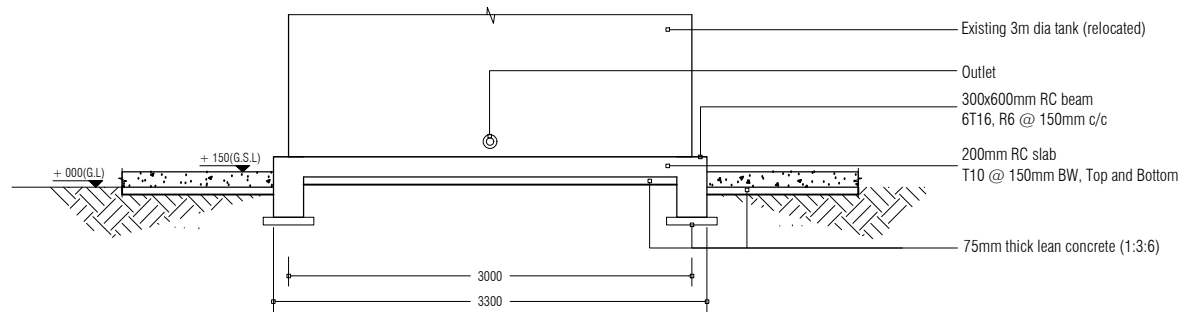



SECTION X-X

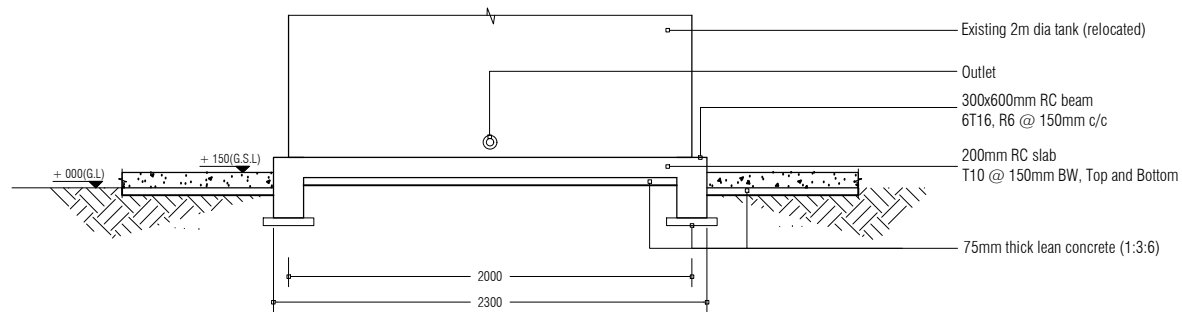
APPROVED BY	PROJECT	DESIGN BY	AMENDMENTS
 <p>MCEP MINISTRY OF ENVIROMENT GREEN BUILDING, HANDHUVAREE HIGUN, MAAFANNU, MALE (20392), REPUBLIC OF MALDIVES, TEL: +960-3018431, +960-3018300, FAX: +960-328301</p>	CONSTRUCTION OF NEW FUEL STORAGE TANKS R. VANDHOO	AFRAZ	
	TITLE	STRUCTURE BY	
	SECTION X-X	AFRAZ	
	CLIENT DEPARTMENT	DRAWN BY	
	WMPC DEPARTMENT	AFRAZ	
	PAPER SIZE	A4	SCALE
PAGE NO.	03	DWG NO.	VNDADFUEL A2-03(R)
		DATE	23.09.2020




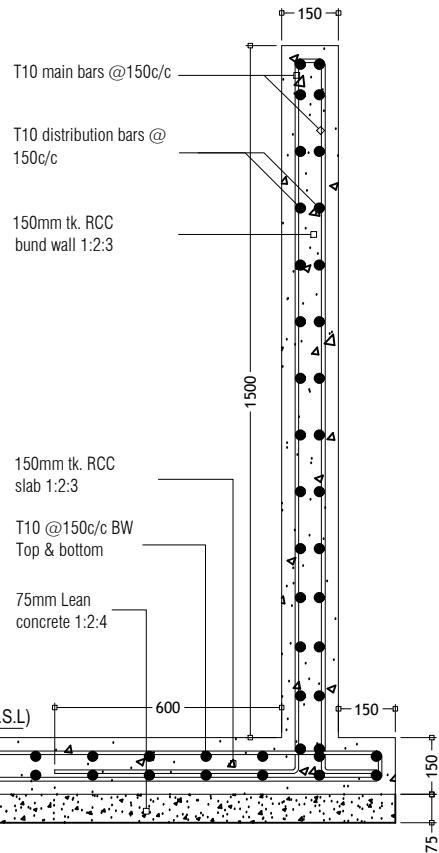
APPROVED BY	PROJECT	DESIGN BY	AMENDMENTS
 <p>MCEP MINISTRY OF ENVIROMENT GREEN BUILDING, HANDHUVAAREE HIGUN, MAAFANNU, MALE (20392), REPUBLIC OF MALDIVES, TEL: +960-3018431, +960-3018300, FAX: +960-328301</p>	CONSTRUCTION OF NEW FUEL STORAGE TANKS R. VANDHOO	AFRAZ	
	TITLE	STRUCTURE BY	
	SECTION Y-Y	AFRAZ	
	CLIENT DEPARTMENT	DRAWN BY	
	WMPC DEPARTMENT	AFRAZ	
	PAPER SIZE	A4	SCALE
PAGE NO.	04	DWG NO.	VNDADFUEL A2-04
		DATE	21.04.2020



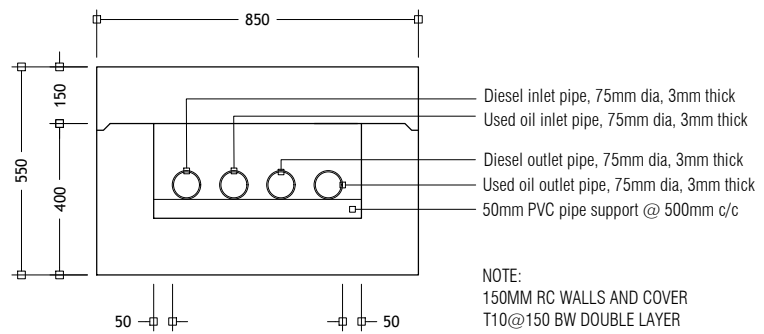
APPROVED BY	PROJECT	DESIGN BY	AMENDMENTS
 <p>MCEP MINISTRY OF ENVIROMENT GREEN BUILDING, HANDHUVAAREE HIGUN, MAAFANNU, MALE' (20392), REPUBLIC OF MALDIVES, TEL: +960-3018431, +960-3018300, FAX: +960-328301</p>	CONSTRUCTION OF NEW FUEL STORAGE TANKS R. VANDHOO	AFRAZ	
	TITLE	STRUCTURE BY	
	SECTION A-A	AFRAZ	
	CLIENT DEPARTMENT	DRAWN BY	
	WMPC DEPARTMENT	AFRAZ	
	PAPER SIZE	A4	SCALE
PAGE NO.	05	DWG NO.	VNDADFUEL A2-05
		DATE	21.04.2020



APPROVED BY	PROJECT	DESIGN BY	AMENDMENTS
 <p>MCEP MINISTRY OF ENVIROMENT GREEN BUILDING, HANHUVAAREE HIGUN, MAAFANNU, MALE (20392), REPUBLIC OF MALDIVES, TEL: +960-3018431, +960-3018300, FAX: +960-328301</p>	CONSTRUCTION OF NEW FUEL STORAGE TANKS R. VANDHOO	AFRAZ	
	TITLE	STRUCTURE BY	
	SECTION B-B	AFRAZ	
	CLIENT DEPARTMENT	DRAWN BY	
	WMPC DEPARTMENT	AFRAZ	
	PAPER SIZE	A4	SCALE
PAGE NO.	06	DWG NO.	VNDADFUEL A2-06
		DATE	21.04.2020

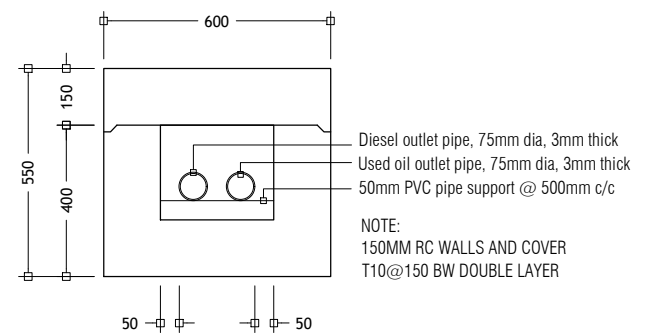


Note:  
Cover = 35mm  
Lap length 50Ø



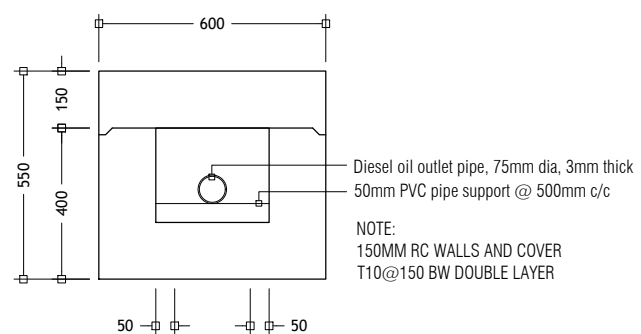
FUEL TRENCH DETAIL-A

NOTE:  
150MM RC WALLS AND COVER  
T10@150 BW DOUBLE LAYER



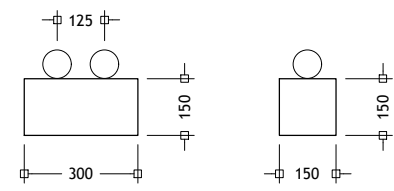
FUEL TRENCH DETAIL-B

NOTE:  
150MM RC WALLS AND COVER  
T10@150 BW DOUBLE LAYER



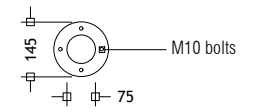
FUEL TRENCH DETAIL-C

NOTE:  
150MM RC WALLS AND COVER  
T10@150 BW DOUBLE LAYER




NOTE:  
150x150x300 RC BLOCKS FOR DUAL PIPE SUPPORT  
150x150x150 RC BLOCKS FOR SINGLE PIPE SUPPORT  
R6@100 BW DOUBLE LAYER  
BLOCKS SPACED @ 1000mm C/C  
PIPES FIXED TO BLOCKS WITH BRACKETS

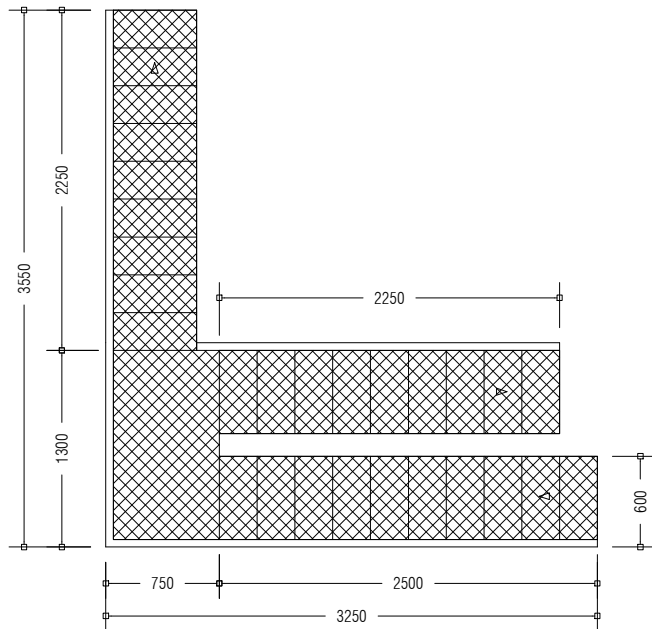
PIPING SUPPORT BLOCKS DETAIL



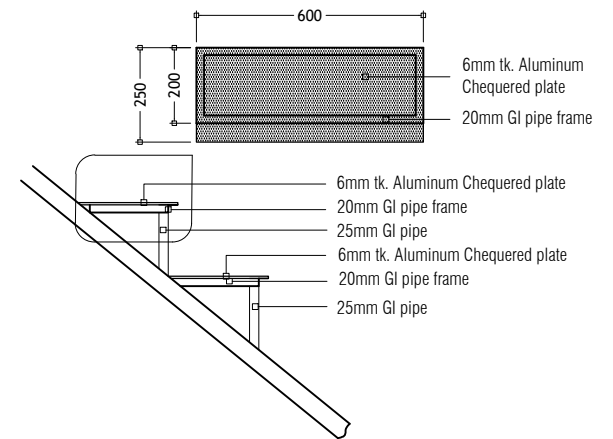
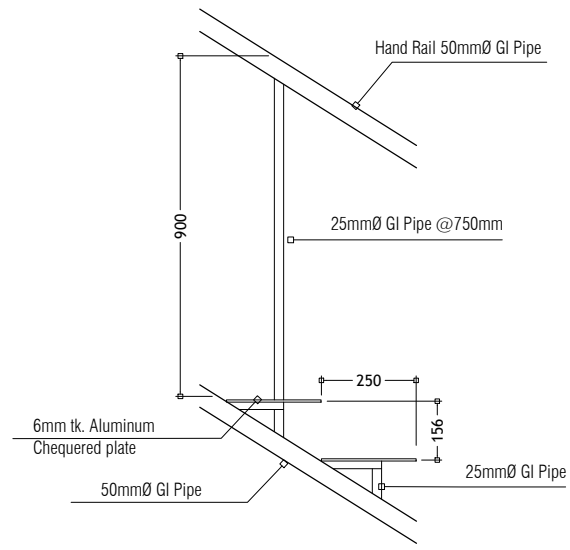
PIPING CONNECTION FLANGE DETAIL

APPROVED BY	PROJECT	DESIGN BY	AMENDMENTS
 <p>MCEP MINISTRY OF ENVIROMENT GREEN BUILDING, HANDHUVAREE HIGUN, MAAFANNU, MALE' (20392), REPUBLIC OF MALDIVES, TEL: +960-3018431, +960-3018300, FAX: +960-328301</p>	CONSTRUCTION OF NEW FUEL STORAGE TANKS R. VANDHOO	AFRAZ	
	TITLE BUND WALL/SLAB, TRENCH, SUPPORT BLOCKS, FLANGE DETAILS	STRUCTURE BY AFRAZ	
	CLIENT DEPARTMENT WMPC DEPARTMENT	DRAWN BY AFRAZ	
	PAPER SIZE A4	SCALE 1:20	
	PAGE NO. 07	DWG NO. VNDADFUEL S1-07	
		DATE 21.04.2020	




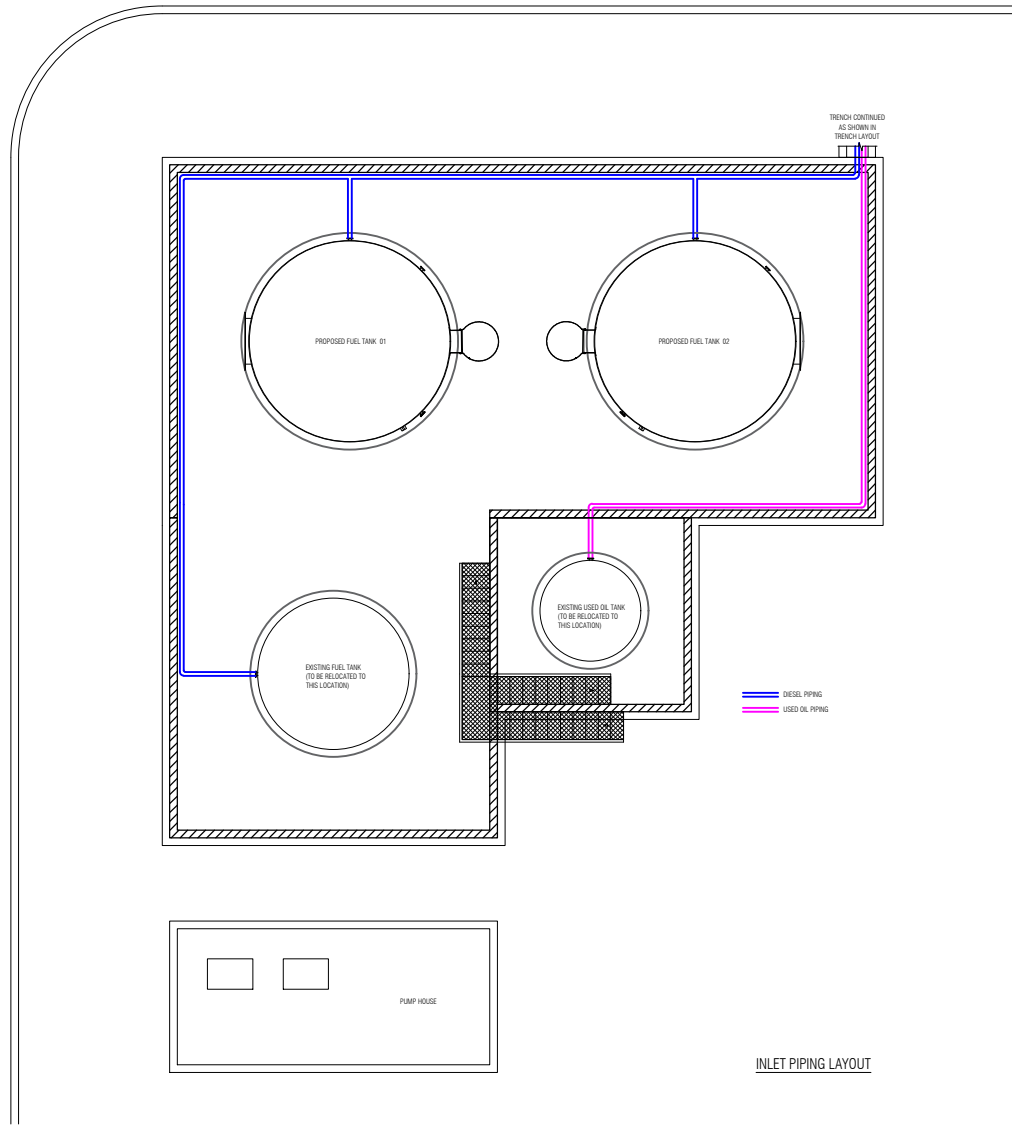



STAIRCASE PLAN

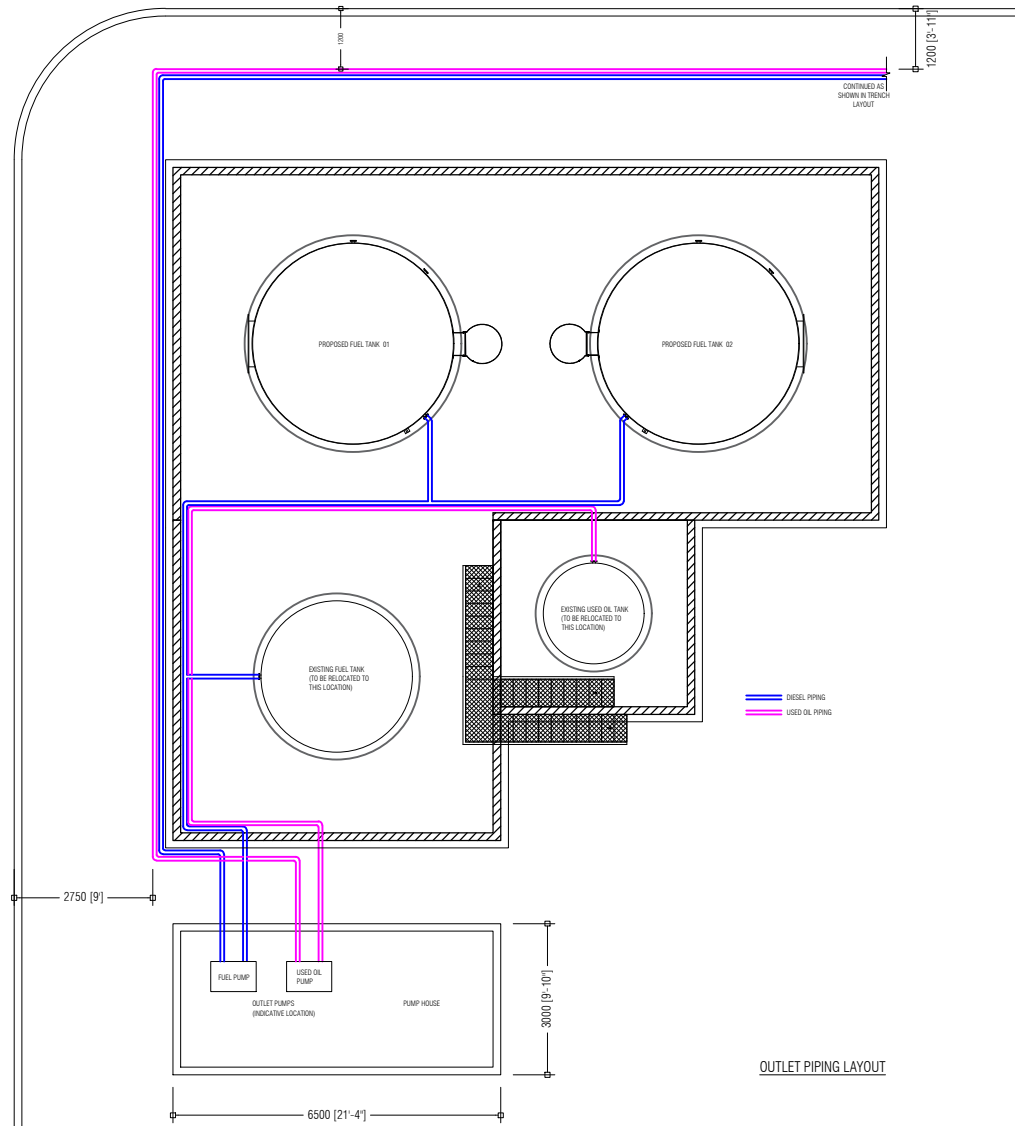


STAIRCASE DETAILS


APPROVED BY	PROJECT	DESIGN BY	AMENDMENTS
 <p>MCEP MINISTRY OF ENVIROMENT GREEN BUILDING, HANDHUVAREE HIGUN, MAAFANNU, MALE' (20392), REPUBLIC OF MALDIVES, TEL: +960-3018431, +960-3018300, FAX: +960-328301</p>	CONSTRUCTION OF NEW FUEL STORAGE TANKS R. VANDHOO	AFRAZ	
	TITLE	STRUCTURE BY	
	STAIRCASE PLAN AND DETAILS	AFRAZ	
	CLIENT DEPARTMENT	DRAWN BY	
	WMPC DEPARTMENT	AFRAZ	
PAPER SIZE	A4	SCALE	1:20
PAGE NO.	08	DWG NO.	VNDADFUEL S1-08
		DATE	21.04.2020

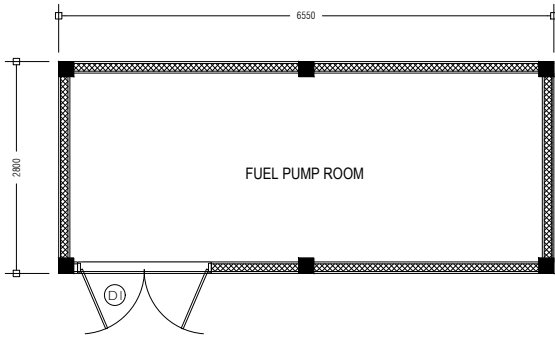


APPROVED BY	PROJECT	DESIGN BY	AMENDMENTS
 <p>MCEP MINISTRY OF ENVIROMENT GREEN BUILDING, HANDHUVAAREE HIGUN, MAAFANNU, MALE (20392), REPUBLIC OF MALDIVES, TEL: +960-3018431, +960-3018300, FAX: +960-328301</p>	CONSTRUCTION OF NEW FUEL STORAGE TANKS R. VANDHOO	AFRAZ	
	<b>TITLE</b> INLET PIPING PLAN	<b>STRUCTURE BY</b> AFRAZ	
	<b>CLIENT DEPARTMENT</b> WMPC DEPARTMENT	<b>DRAWN BY</b> AFRAZ	
	<b>PAPER SIZE</b> A4	<b>SCALE</b> 1:150	
	<b>PAGE NO.</b> 09	<b>DWG NO.</b> VNDADFUEL A1-09	
		<b>DATE</b> 21.04.2020	



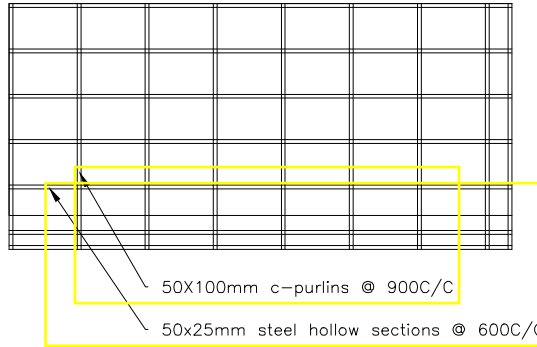
OUTLET PIPING LAYOUT

APPROVED BY	PROJECT	DESIGN BY	AMENDMENTS	
 <p data-bbox="145 1372 414 1460"> <b>MCEP</b>  <b>MINISTRY OF ENVIROMENT</b>            GREEN BUILDING, HANDHUVAREE HIGUN,            MAAFANNU, MALE (20392), REPUBLIC OF MALDIVES,            TEL: +960-3018431, +960-3018300, FAX: +960-328301         </p>	CONSTRUCTION OF NEW FUEL STORAGE TANKS R. VANDHOO	AFRAZ		
	<b>TITLE</b> OUTLET PIPING PLAN	<b>STRUCTURE BY</b> AFRAZ		
	<b>CLIENT DEPARTMENT</b> WMPC DEPARTMENT	<b>DRAWN BY</b> AFRAZ		
	<b>PAPER SIZE</b> A4	<b>SCALE</b> 1:150		
	<b>PAGE NO.</b> 10	<b>DWG NO.</b> VNDADFUEL A1-10		
		<b>DATE</b> 21.04.2020		



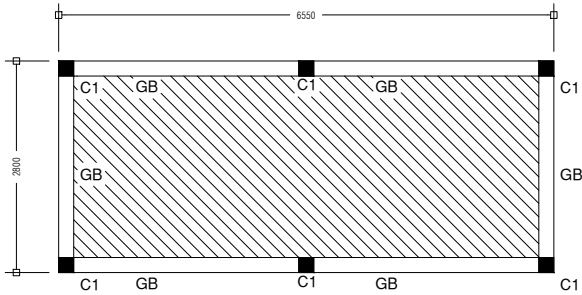
### GROUND FLOOR PLAN

SCALE 1:100



### ROOF FRAMING PLAN

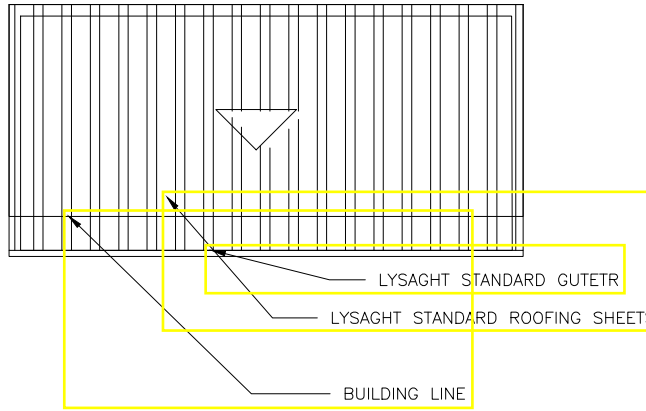
SCALE 1:100



### FOUNDATION PLAN

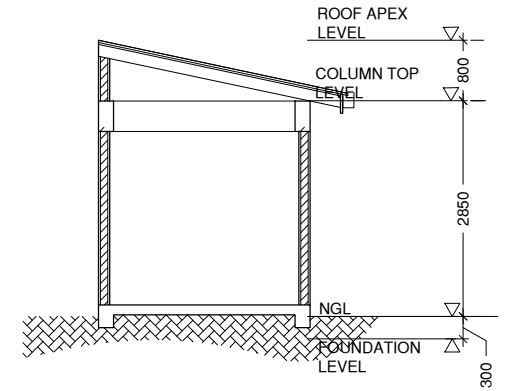
SCALE 1:100

NOTE:  
SLAB THICKNESS = 100mm  
REINFORCEMENT: T10@150 C/C BW



### ROOF FRAMING PLAN


SCALE 1:100

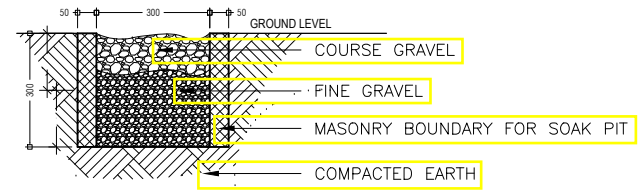
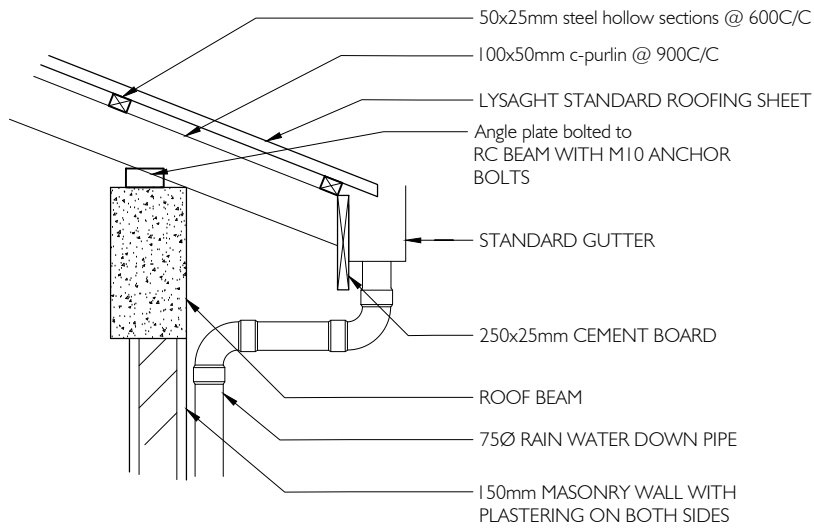


### SECTION X:X

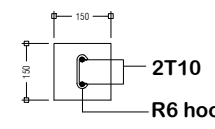
SCALE 1:100



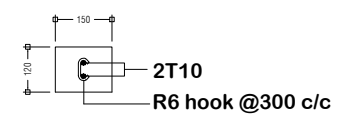
APPROVED BY	PROJECT	DESIGN BY	AMENDMENTS
 <b>MCEP</b> MINISTRY OF ENVIROMENT GREEN BUILDING, HANDHUVAREE HIGUN, MAAFANNU, MALE' (20392), REPUBLIC OF MALDIVES, TEL: +960-3018431, +960-3018300, FAX: +960-328301	CONSTRUCTION OF FUEL PUMP ROOM R. VANDHOO	AFRAZ	
	TITLE PLAN AND SECTION	STRUCTURE BY AFRAZ	
	CLIENT DEPARTMENT WMPC DEPARTMENT	DRAWN BY AFRAZ	
	PAPER SIZE A4	SCALE 1:100	
	PAGE NO. 11	DWG NO. VNDADFUEL A1-11(R)	
		DATE 23.09.2020	



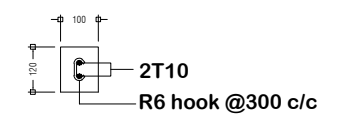
**TYPICAL SOAKPIT DETAIL**  
 SCALE: 1:20



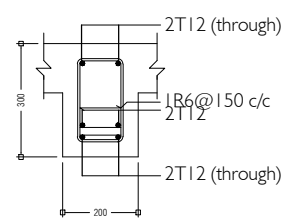
**STIFFENER COLUMN**  
 SCALE 1:20



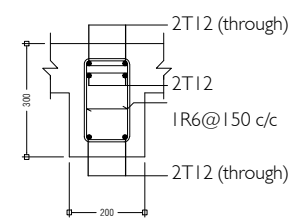
**CAPPING BEAM**  
 SCALE 1:20



**LINTEL BEAM / SILL**  
 SCALE 1:20

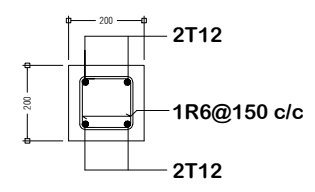


MID - SPAN

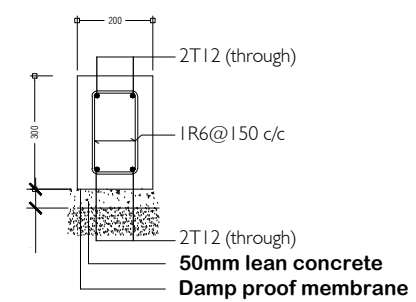


SUPPORT


**BEAM 'B1'**  
 SCALE 1:20

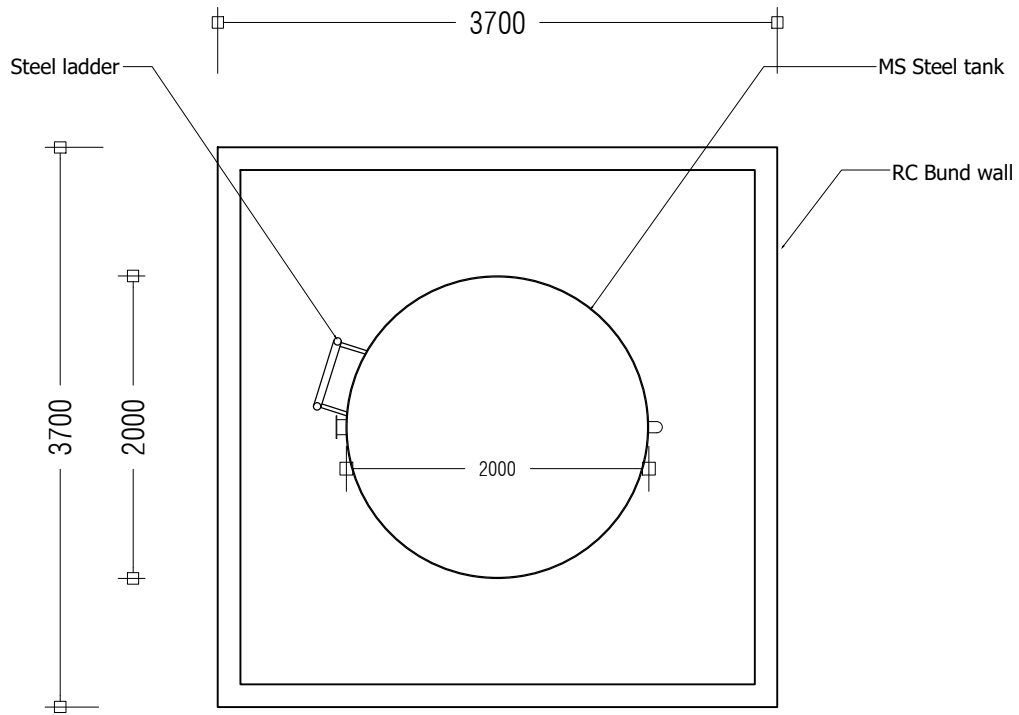


**COLUMN 'C1'**  
 SCALE 1:20

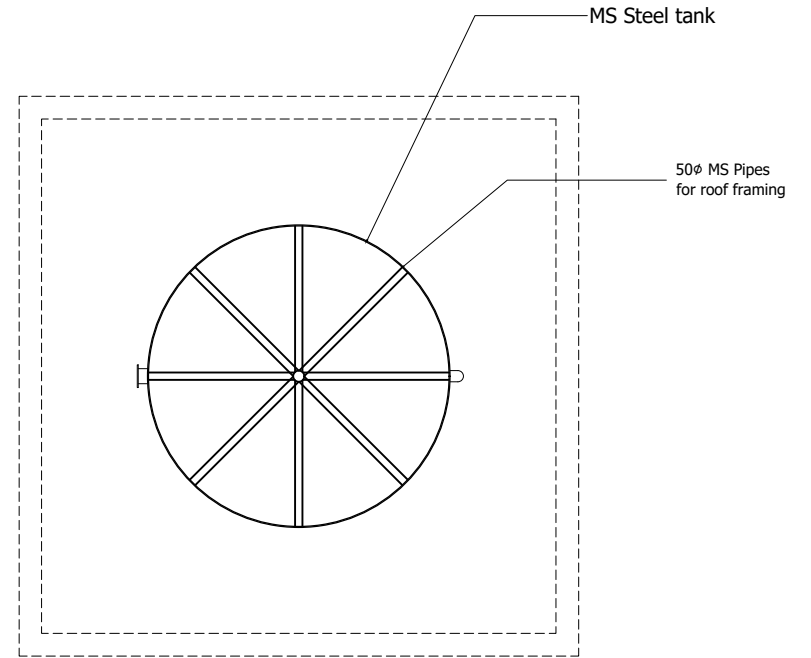


**TIE BEAM 'GB'**  
 SCALE 1:20


APPROVED BY	PROJECT	DESIGN BY	AMENDMENTS
 <b>MCEP</b> MINISTRY OF ENVIROMENT GREEN BUILDING, HANDHUVAREE HIGUN, MAAFANNU, MALE' (20392), REPUBLIC OF MALDIVES, TEL: +960-3018431, +960-3018300, FAX: +960-328301	CONSTRUCTION OF FUEL PUMP ROOM R. VANDHOO	AFRAZ	
	TITLE DETAILS	STRUCTURE BY AFRAZ	
	CLIENT DEPARTMENT WMPC DEPARTMENT	DRAWN BY AFRAZ	
	PAPER SIZE A4	SCALE 1:20	
	PAGE NO. 12	DWG NO. VNDADFUEL S1-10(R)	
		DATE 23.09.2020	

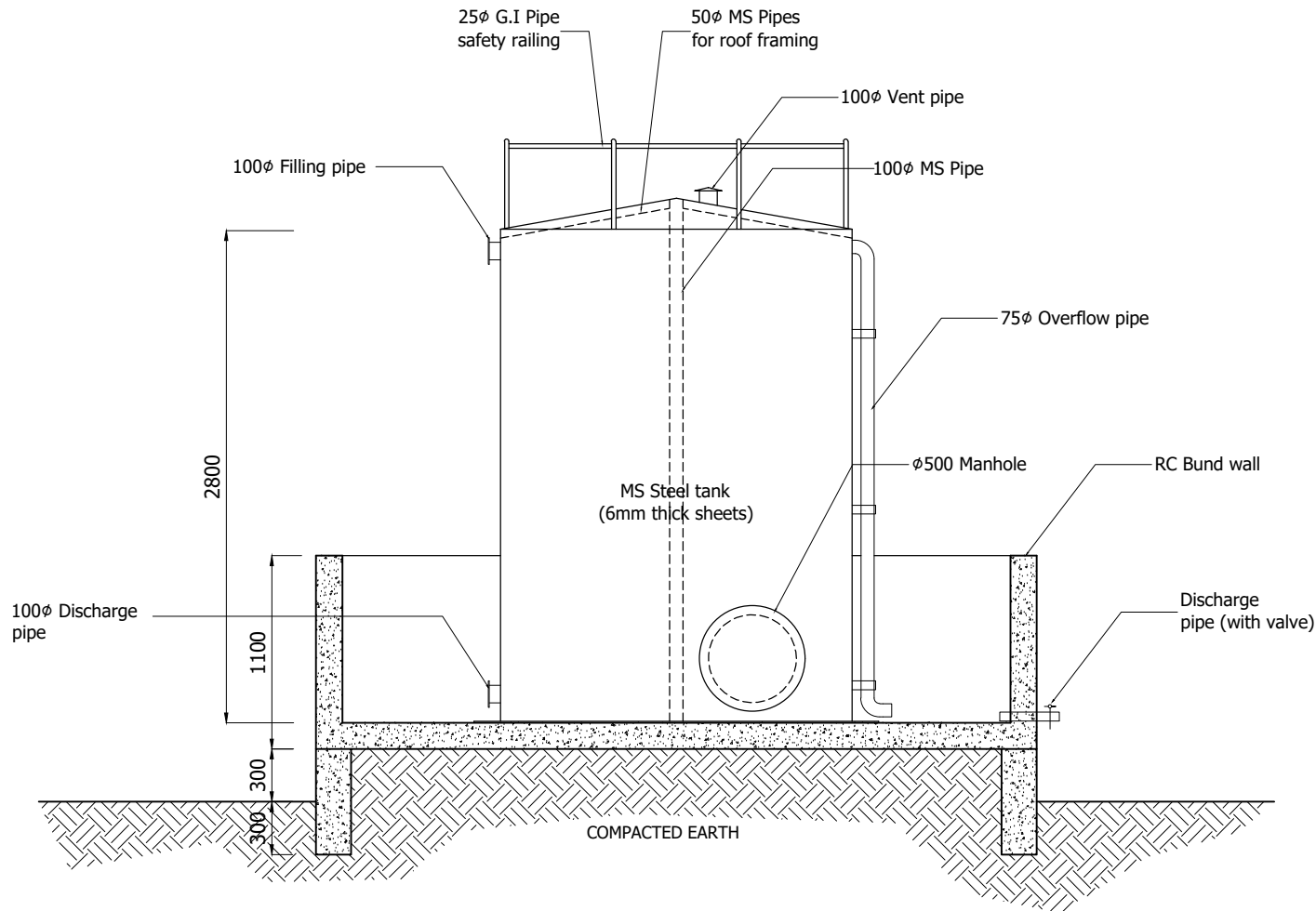


OIL TANK - PLAN

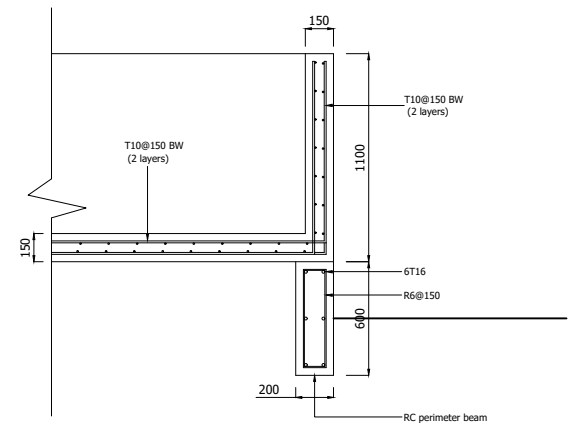


OIL TANK - ROOF FRAMING


APPROVED BY	PROJECT	DESIGN BY	AMENDMENTS
 <p>MCEP MINISTRY OF ENVIROMENT GREEN BUILDING, HANDHUVAREE HIGUN, MAAFANNU, MALE' (20392), REPUBLIC OF MALDIVES, TEL: +960-3018431, +960-3018300, FAX: +960-328301</p>	EXISTING FUEL TANK 01 - 8000L TANK R. VANDHOO	AFRAZ	
	<b>TITLE</b> FLOOR PLAN	<b>STRUCTURE BY</b> AFRAZ	
	<b>CLIENT DEPARTMENT</b> WMPC DEPARTMENT	<b>DRAWN BY</b> AFRAZ	
	<b>PAPER SIZE</b> A4	<b>SCALE</b> 1:50	
	<b>PAGE NO.</b> 13	<b>DWG NO.</b> VNDADFUEL A1-13	
		<b>DATE</b> 21.04.2020	

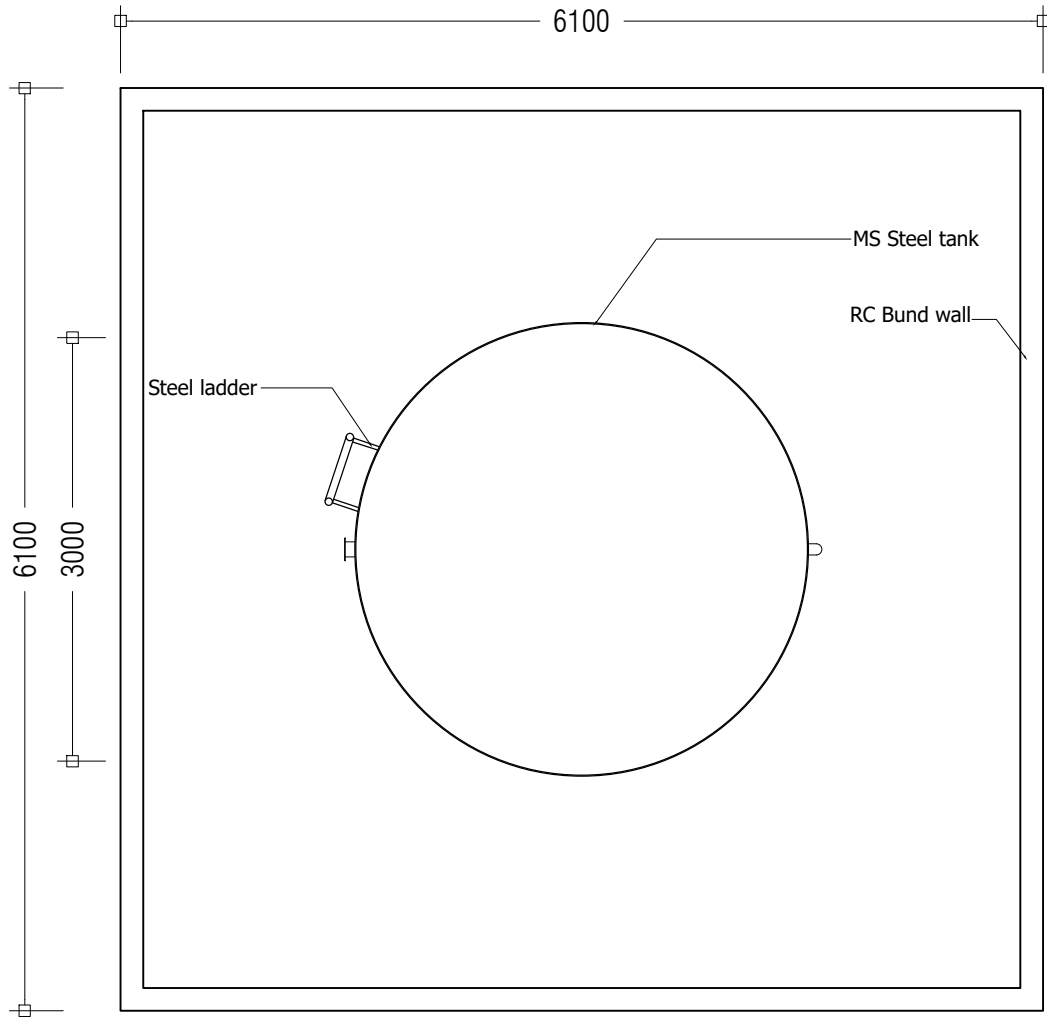


**OIL TANK - SECTIONAL ELEVATION**

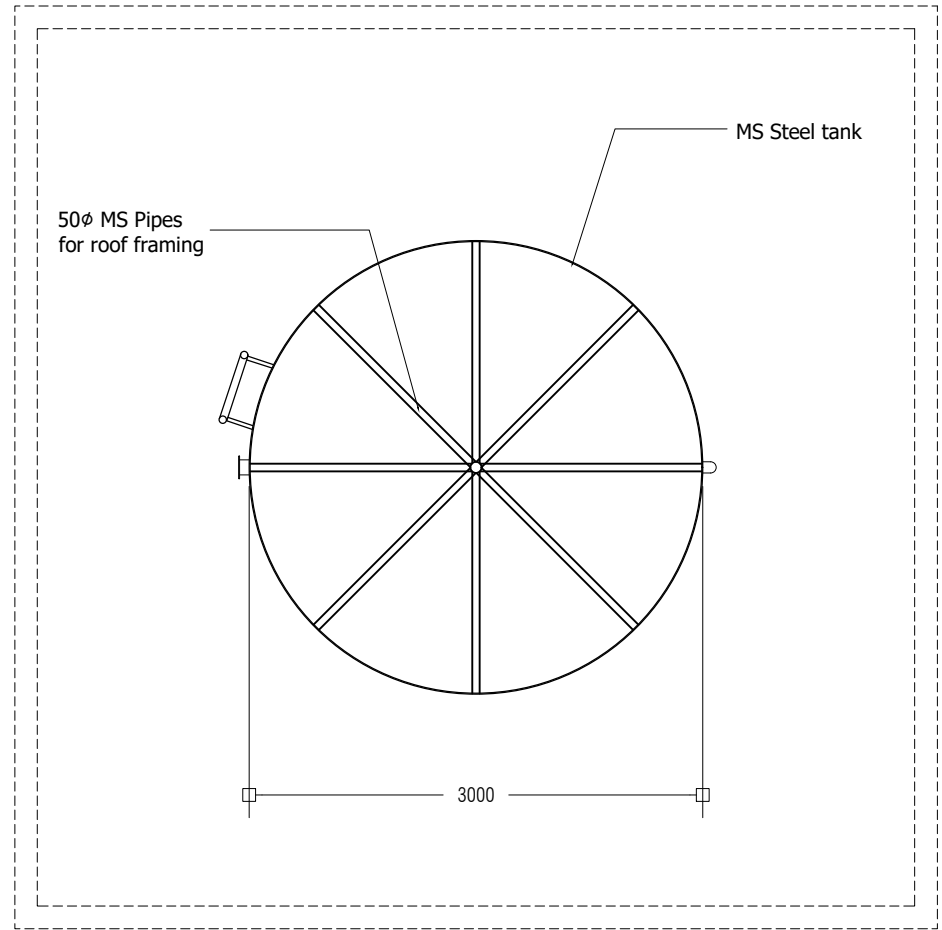


**BUND WALL DETAIL**


APPROVED BY	PROJECT	DESIGN BY	AMENDMENTS
 <p>MCEP            MINISTRY OF ENVIROMENT            GREEN BUILDING, HANDHUVAREE HIGUN,            MAAFANNU, MALE' (20392), REPUBLIC OF MALDIVES,            TEL: +960-3018431, +960-3018300, FAX: +960-328301</p>	EXISTING FUEL TANK 01 - 8000L TANK R. VANDHOO	AFRAZ	
	TITLE SECTION, DETAIL	STRUCTURE BY AFRAZ	
	CLIENT DEPARTMENT WMPC DEPARTMENT	DRAWN BY AFRAZ	
	PAPER SIZE A4	SCALE 1:40	
	PAGE NO. 14	DWG NO. VNDADFUEL A1-14	
		DATE 21.04.2020	



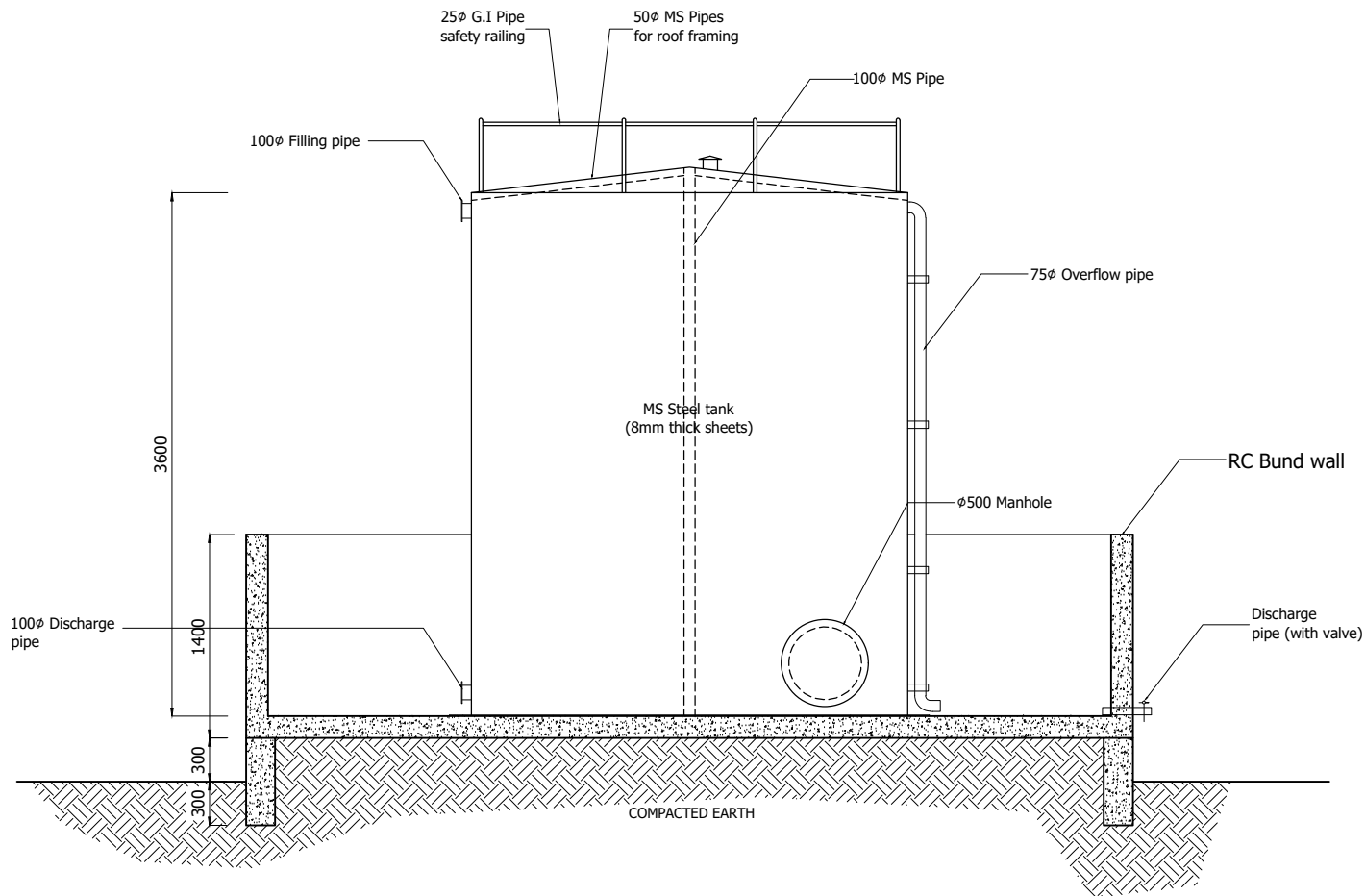
OIL TANK - PLAN



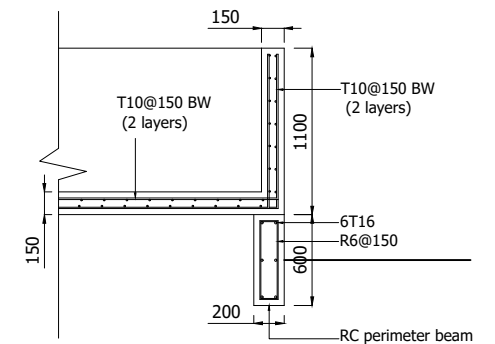
OIL TANK - ROOF FRAMING

APPROVED BY	PROJECT	DESIGN BY	AMENDMENTS
 <p>MCEP MINISTRY OF ENVIROMENT GREEN BUILDING, HANDHUVAREE HIGUN, MAAFANNU, MALE (20392), REPUBLIC OF MALDIVES, TEL: +960-3018431, +960-3018300, FAX: +960-328301</p>	EXISTING FUEL TANK 02 - 24,000L TANK R. VANDHOO	AFRAZ	
	<b>TITLE</b> FLOOR PLAN	<b>STRUCTURE BY</b> AFRAZ	
	<b>CLIENT DEPARTMENT</b> WMPC DEPARTMENT	<b>DRAWN BY</b> AFRAZ	
	<b>PAPER SIZE</b> A4	<b>SCALE</b> 1:50	
	<b>PAGE NO.</b> 15	<b>DWG NO.</b> VNDADFUEL A1-15	
		<b>DATE</b> 21.04.2020	




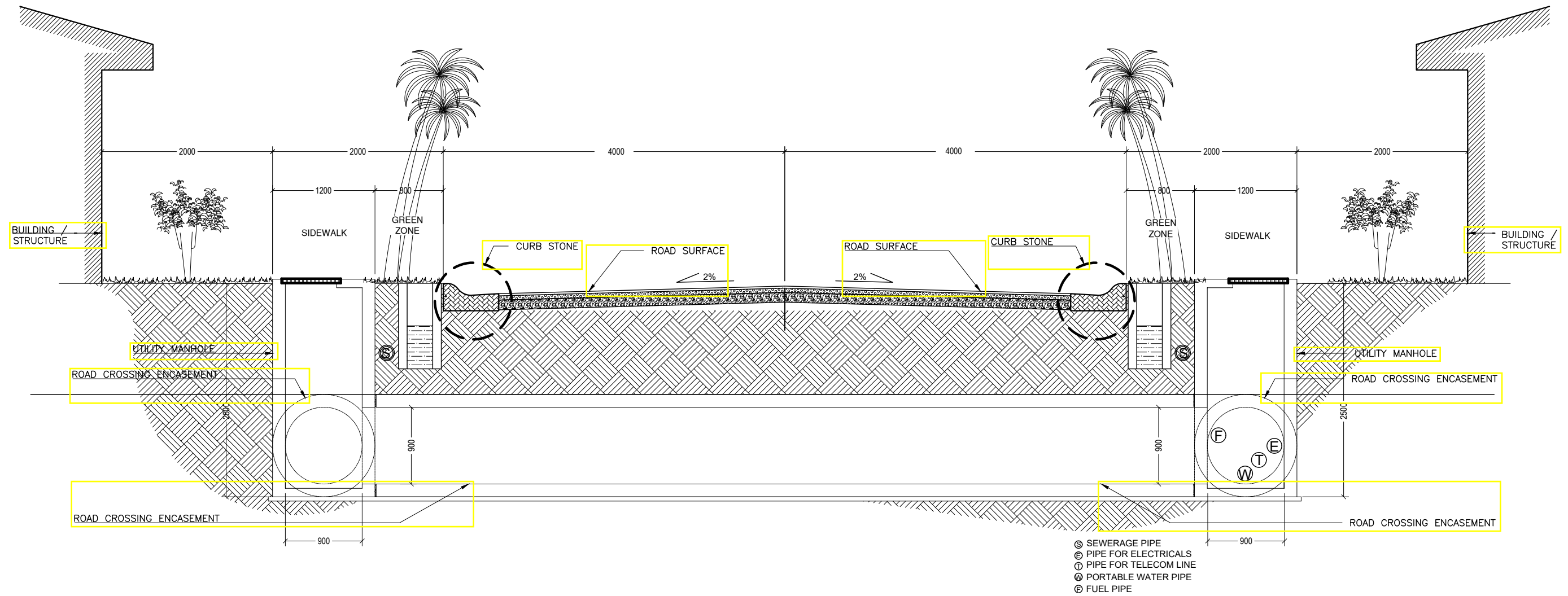


**OIL TANK - SECTIONAL ELEVATION**



**BUND WALL DETAIL**

APPROVED BY	PROJECT	DESIGN BY	AMENDMENTS
 <p>MCEP MINISTRY OF ENVIROMENT GREEN BUILDING, HANDHUVAREE HIGUN, MAAFANNU, MALE (20392), REPUBLIC OF MALDIVES, TEL: +960-3018431, +960-3018300, FAX: +960-328301</p>	EXISTING FUEL TANK 02 - 24,000L TANK R. VANDHOO	AFRAZ	
	<b>TITLE</b> SECTION, DETAILS	<b>STRUCTURE BY</b> AFRAZ	
	<b>CLIENT DEPARTMENT</b> WMPC DEPARTMENT	<b>DRAWN BY</b> AFRAZ	
	<b>PAPER SIZE</b> A4	<b>SCALE</b> 1:50	
	<b>PAGE NO.</b> 16	<b>DWG NO.</b> VNDADFUEL A1-16	
		<b>DATE</b> 21.04.2020	

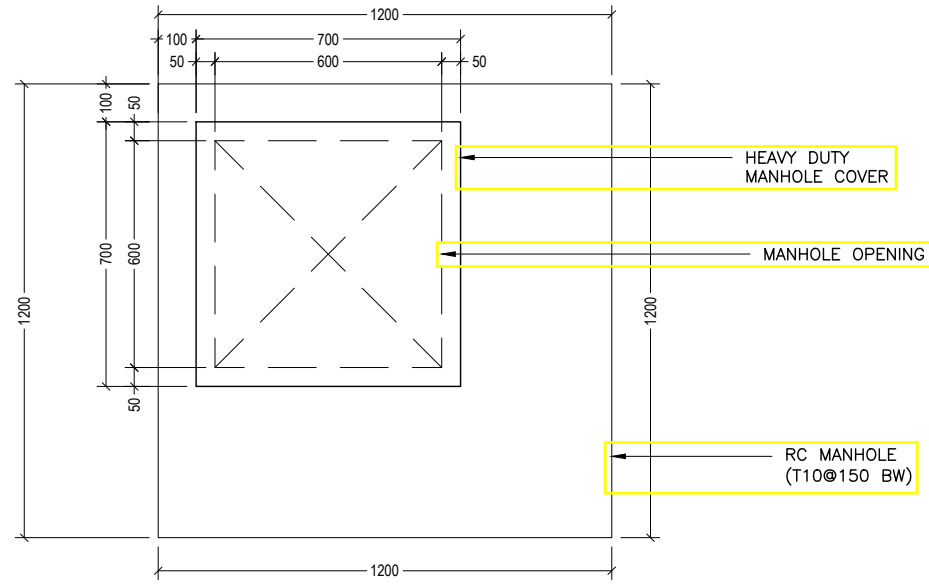


**ROAD SECTION WITH PIPE TRENCH / CULVERT**

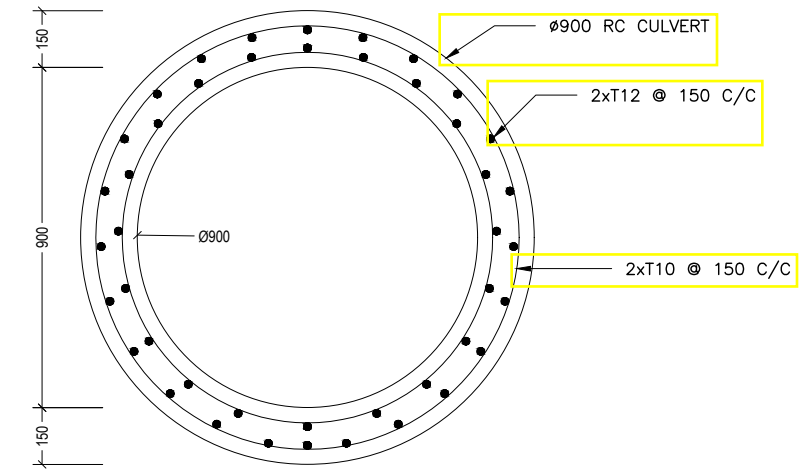
SCALE 1:100



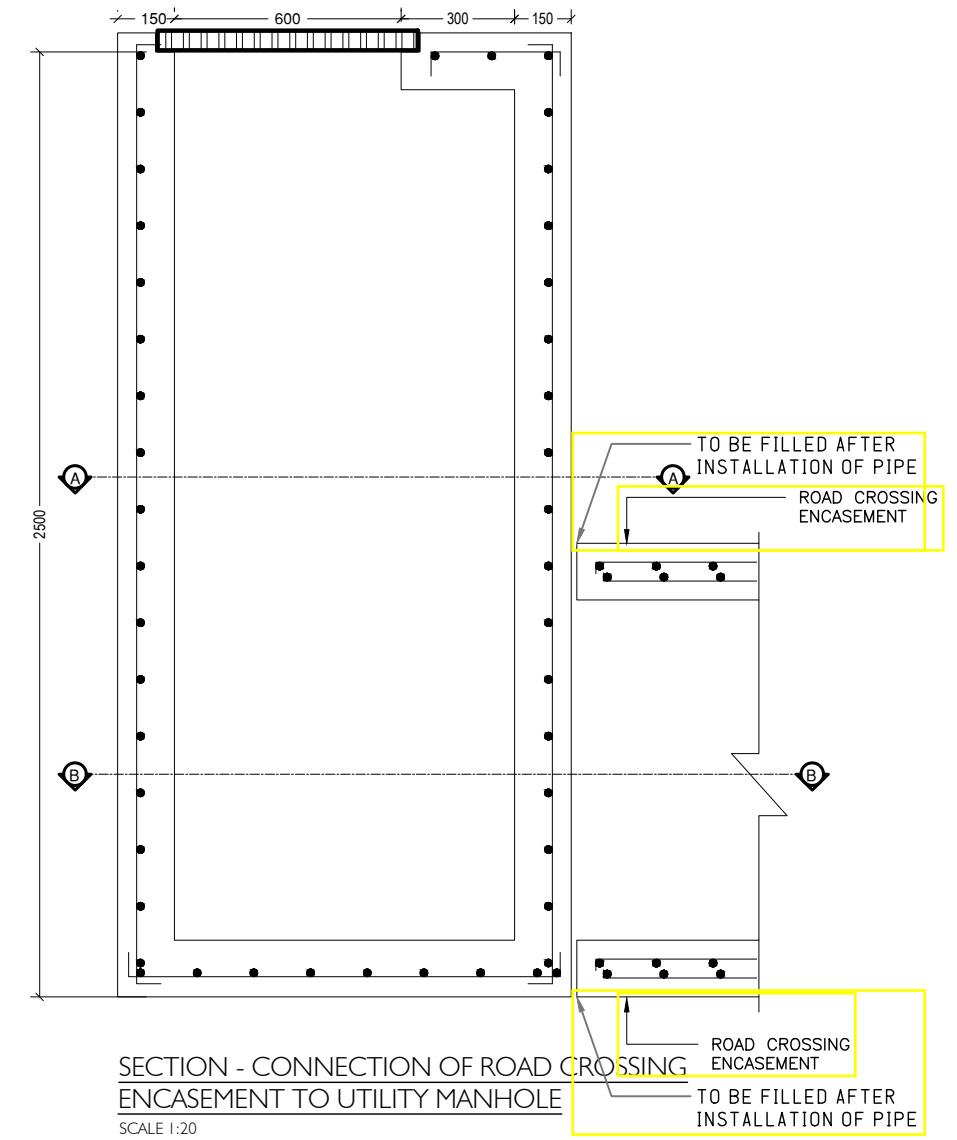
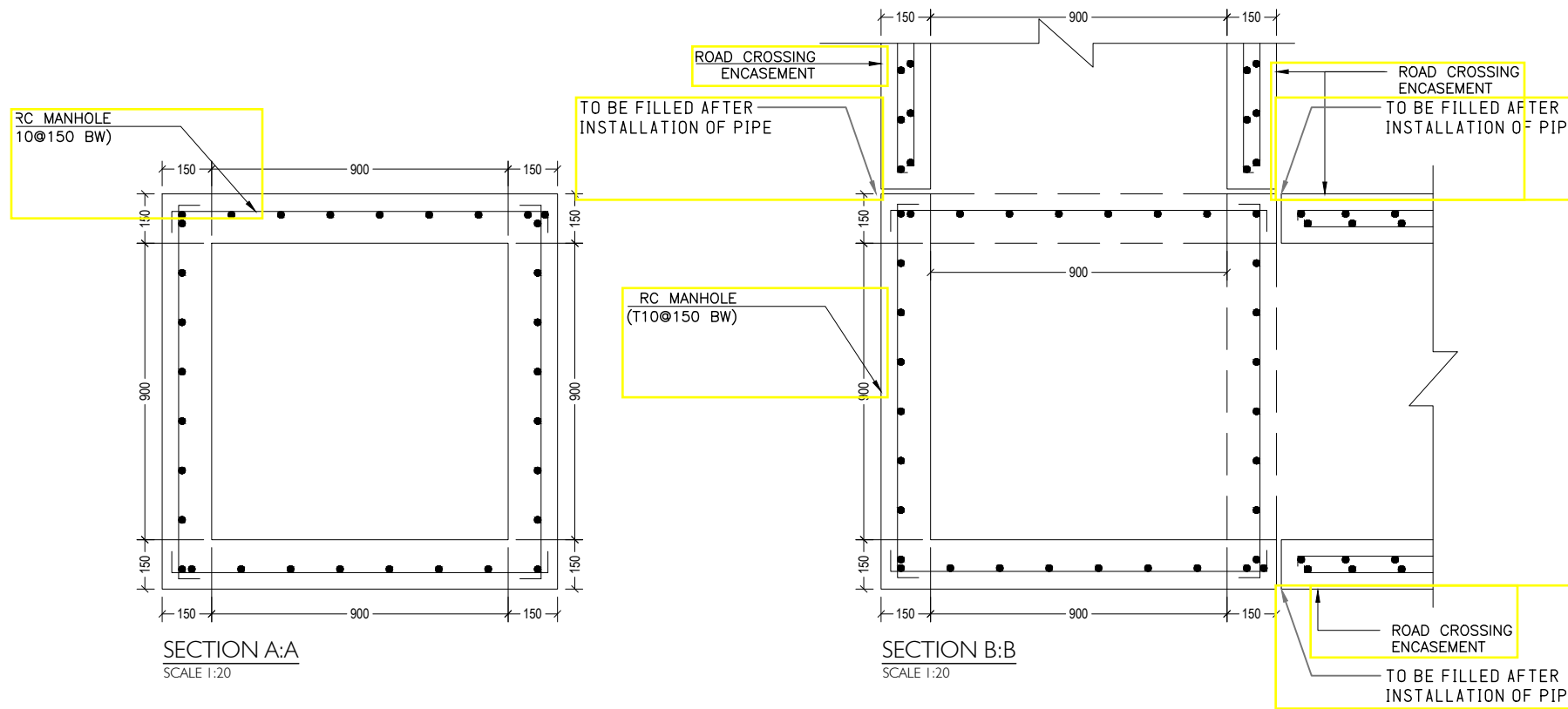
PROJECT : <b>R. VANDHOO</b> <b>PROJECT: SOLID WASTE</b> <b>MANAGEMENT FACILITY</b> CLIENT : MINISTRY OF ENVIRONMENT AND ENERGY CONSULTANT : <b>HUSSAIN SHAHEED</b>	DRAWN BY : ARIF CHECKED BY : HUSSAIN SHAHEED TITLE : AS GIVEN SCALE : AS GIVEN      DATE:19.01.2019	DWG NO: VAN-TD-13-G-1.04-R0 REV. NO: R0-190119/01 REV. NOTES - - - - -	APPROVED BY:  APPROVED DATE:	
	PG NO.			



UTILITY MANHOLE - PLAN  
SCALE 1:20



ROAD CROSSING ENCASEMENT (2m LONG)  
SCALE 1:20



SECTION - CONNECTION OF ROAD CROSSING ENCASEMENT TO UTILITY MANHOLE  
SCALE 1:20

PROJECT : <b>R. VANDHOO</b> <b>PROJECT: SOLID WASTE MANAGEMENT FACILITY</b> CLIENT : MINISTRY OF ENVIRONMENT AND ENERGY CONSULTANT : <b>HUSSAIN SHAHEED</b>	DRAWN BY : ARIF	DWG NO: VAN-TD-13-G-1.04-R0	APPROVED BY:  APPROVED DATE:
	CHECKED BY : HUSSAIN SHAHEED	REV. NO: R0-190119/01	
	TITLE : AS GIVEN	REV. NOTES	
	SCALE : AS GIVEN	DATE:19.01.2019	
	PG NO.		