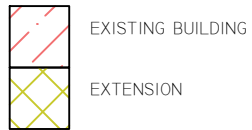


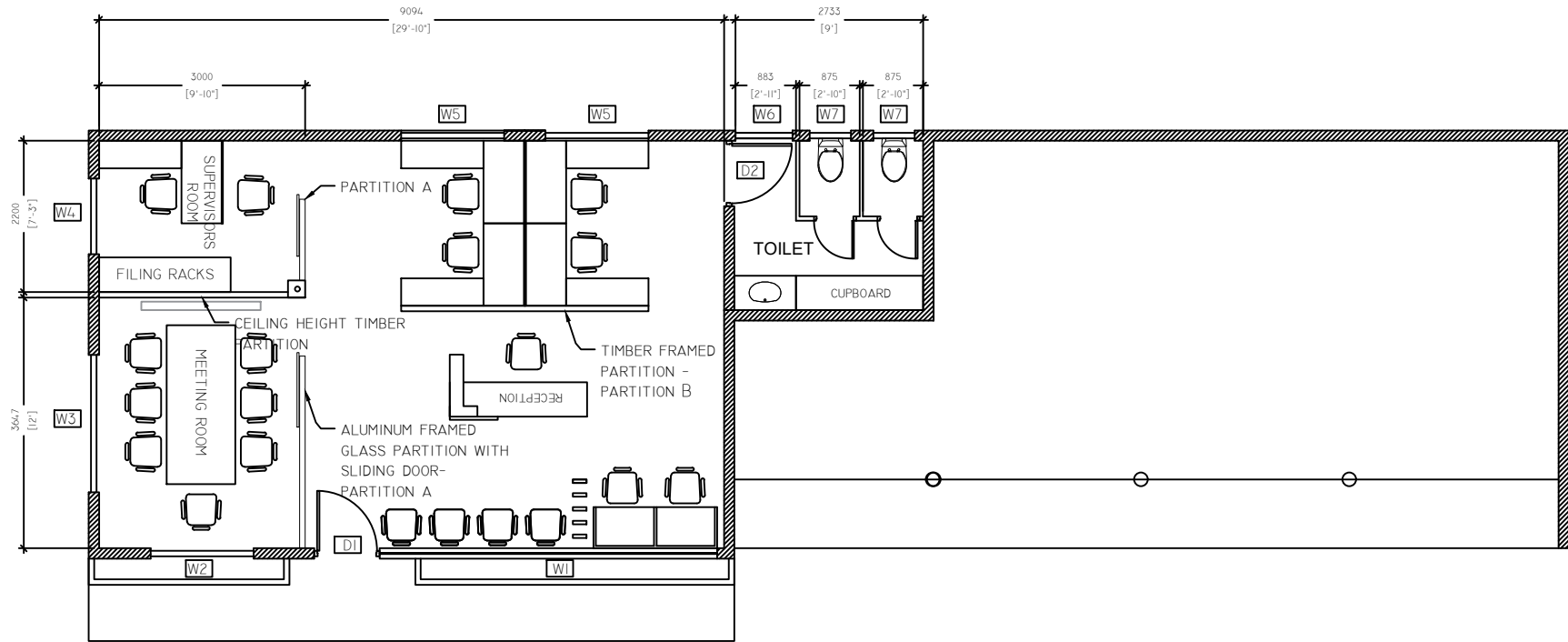
FLOOR FINISH: PARQUET
 FLOORING AREA: 1144 SQFT



PROPOSED EXTENSION

SCALE 1:100

ADDU CITY JOB CENTER



FLOOR FINISH: PARQUET
 FLOORING AREA: 1144 SQFT

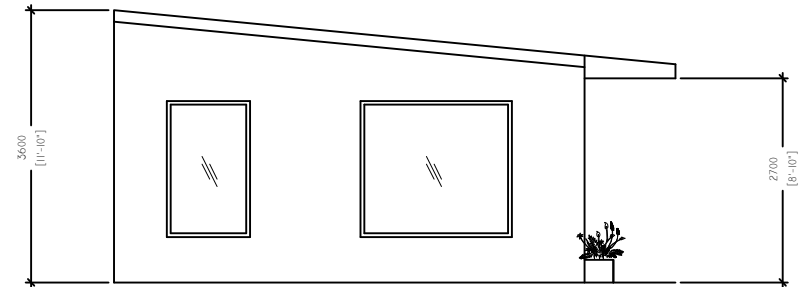
PROPOSED FLOOR LAYOUT

SCALE 1:100

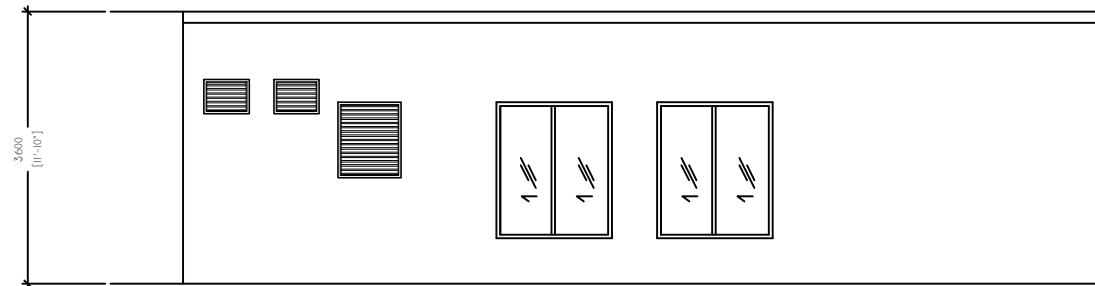
ADDU CITY JOB CENTER



FRONT ELEVATION
SCALE 1:100

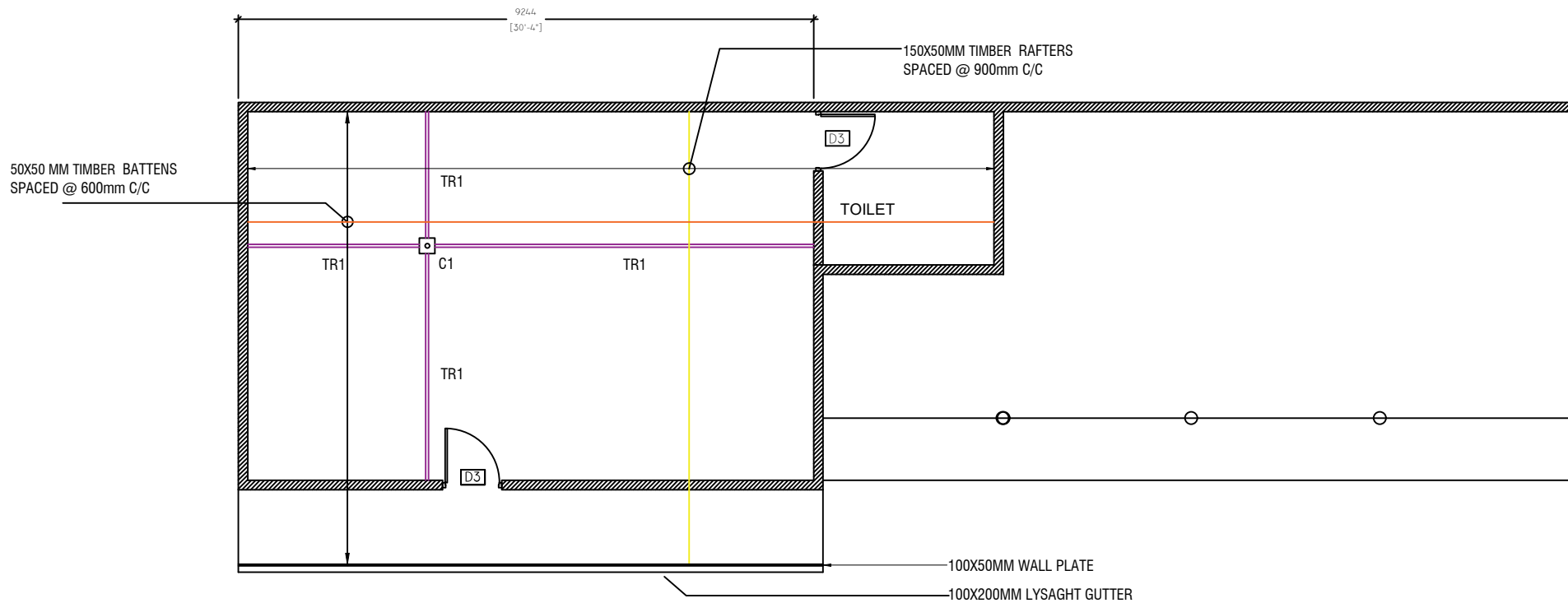


SIDE ELEVATION
SCALE 1:100



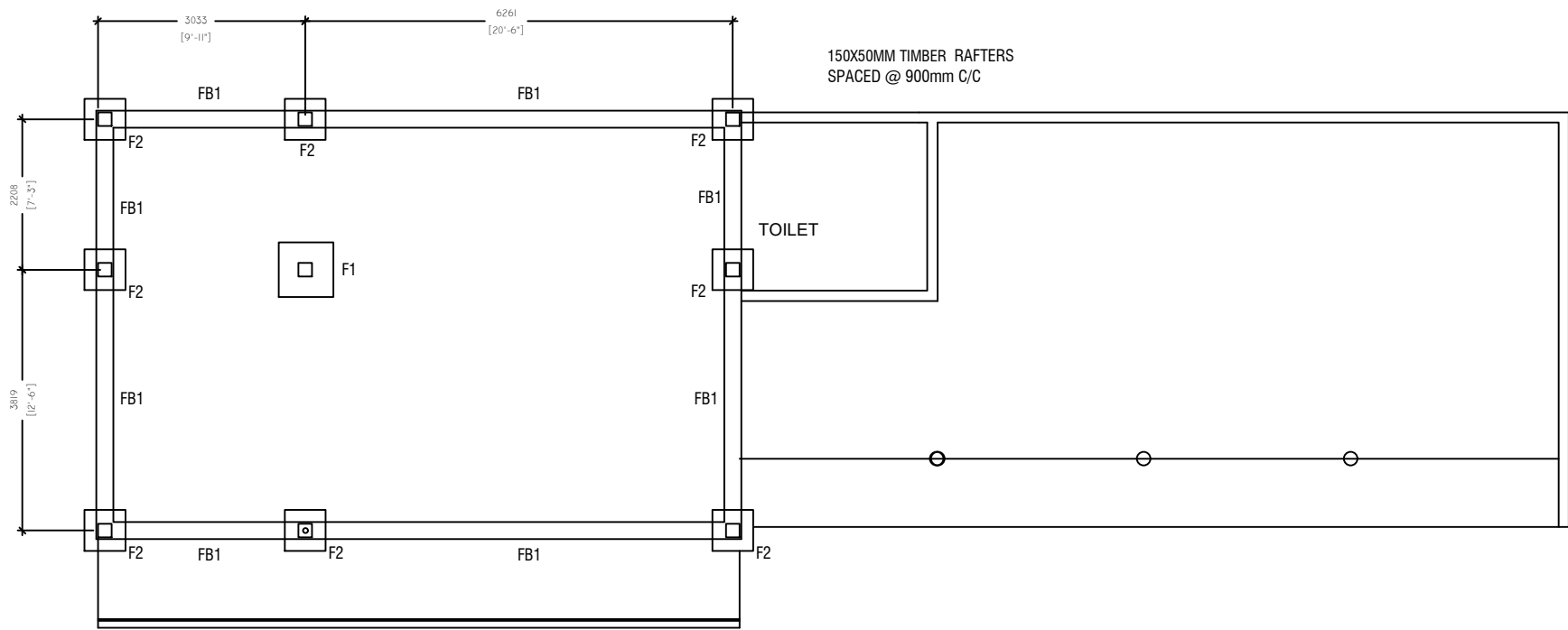
BACK ELEVATION
SCALE 1:100

ADDU CITY JOB CENTER



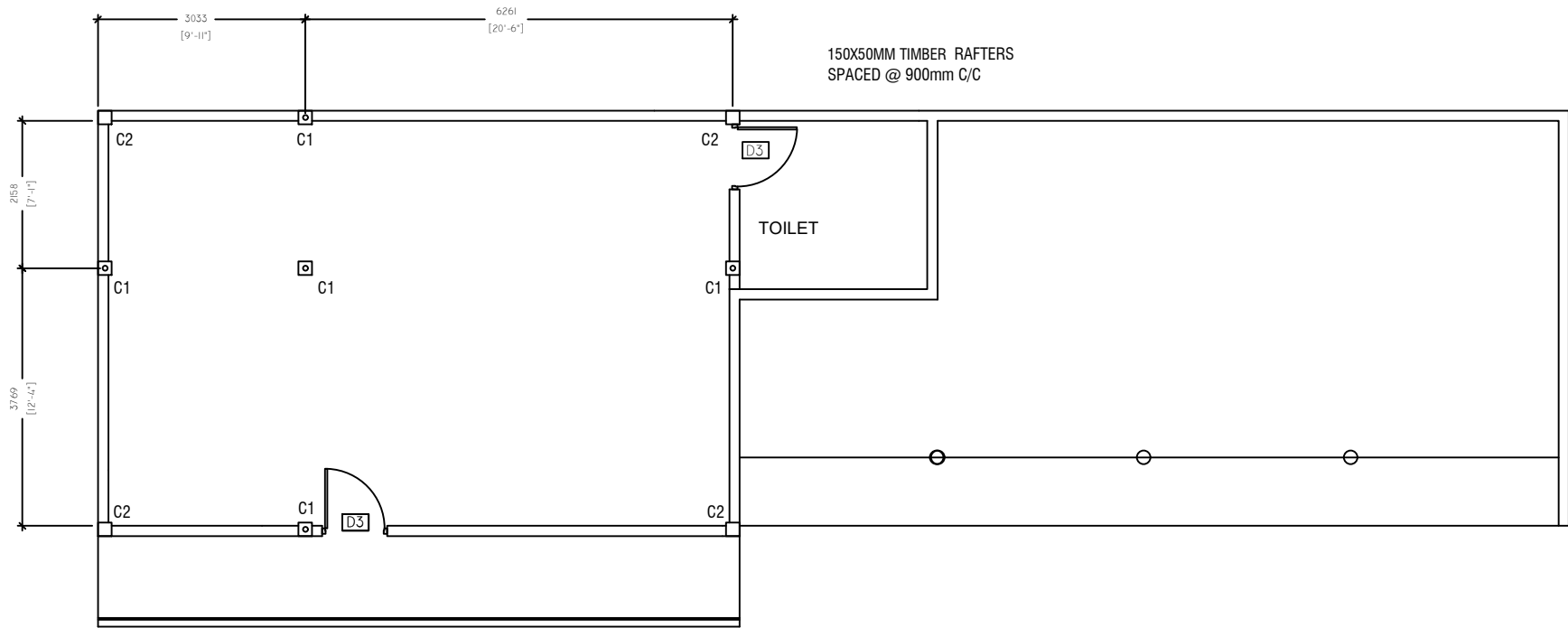
ROOFING PLAN
SCALE 1:100

ADDU CITY JOB CENTER



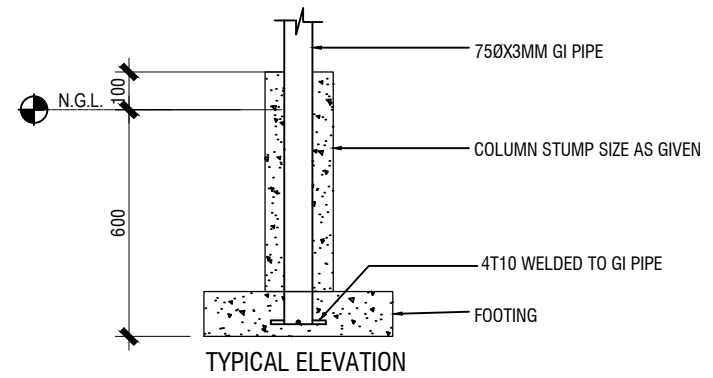
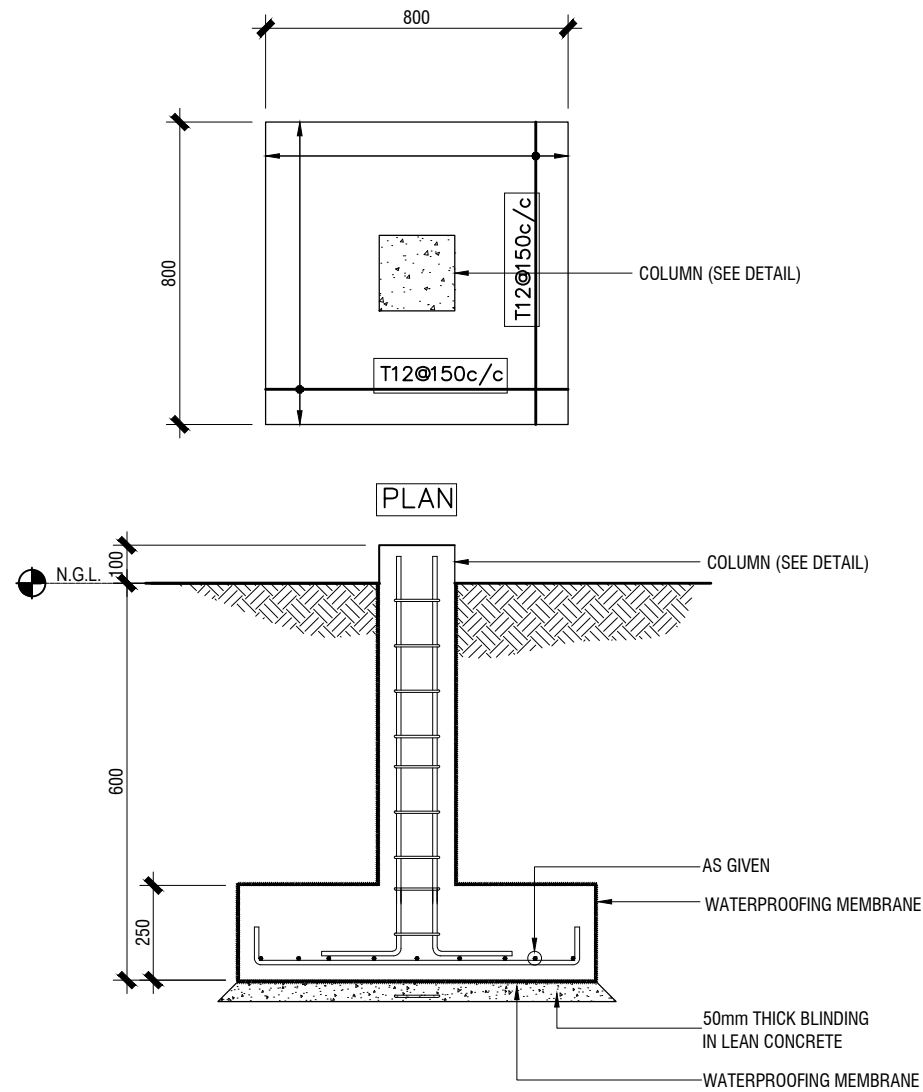
FOUNDATION PLAN

ADDU CITY JOB CENTER

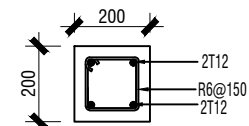


COLUMN PLAN

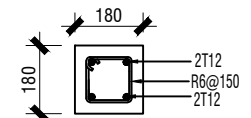
ADDU CITY JOB CENTER



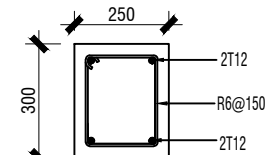
COLUMN 1 TO GI PIPE CONNECTION
SCALE 1:20



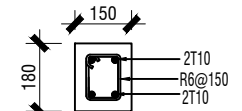
COLUMN C1



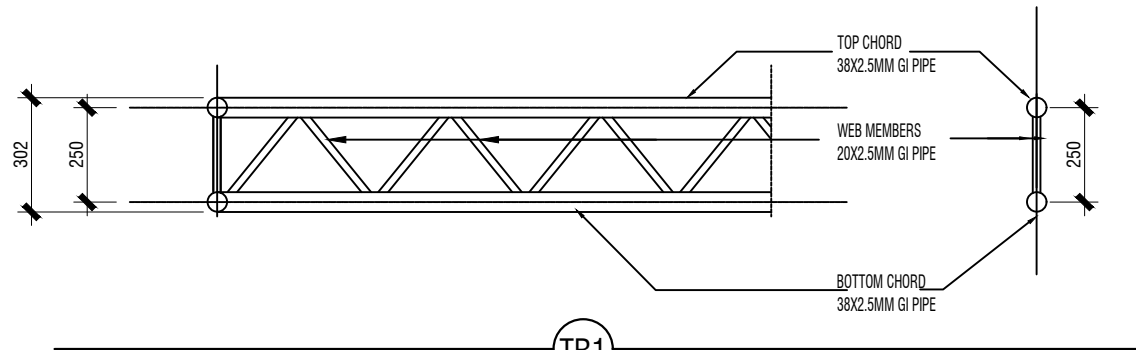
COLUMN C2



Foundation Beam
(wall) - FB1

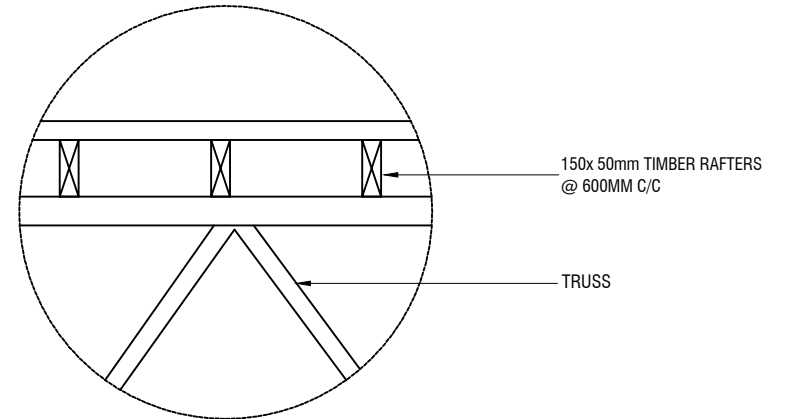


TYPICAL
LINTEL

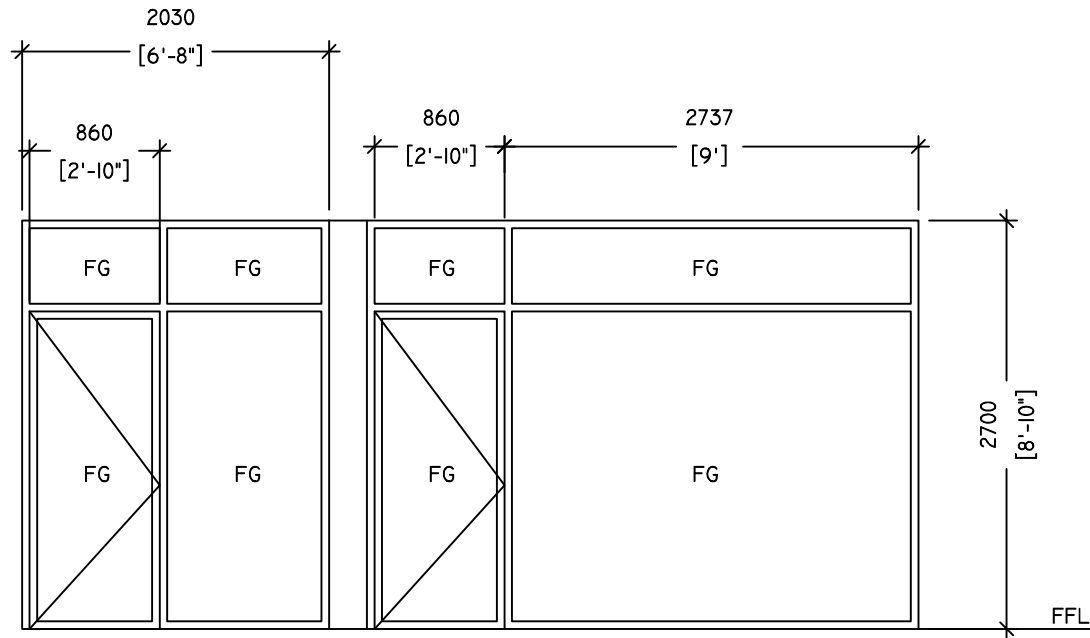


TR1

TRUSS - TR1
SCALE 1:20



TYPICAL RAFTER DETAIL
SCALE 1:20



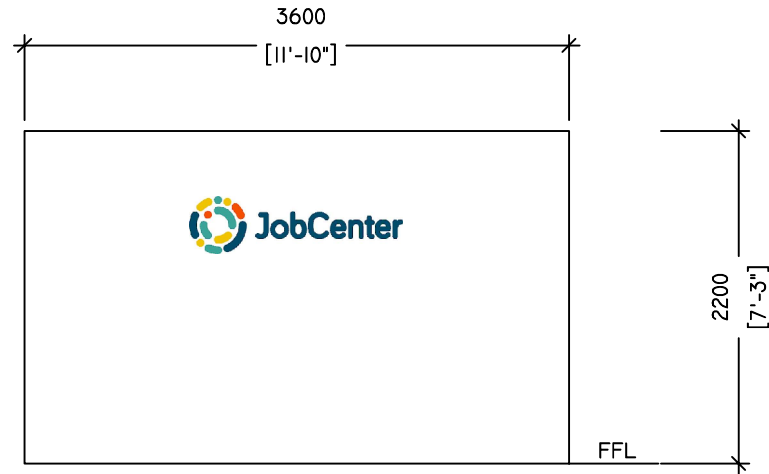
ELEVATION

NOTE:
 GSD - GLASS SWING DOOR
 FG - FIXED GLASS PANEL
 ALL GLASS TO BE 6MM THICK.

PARTITION 'A' - GLASS PARTITION WITH SLIDING DOOR

1:50

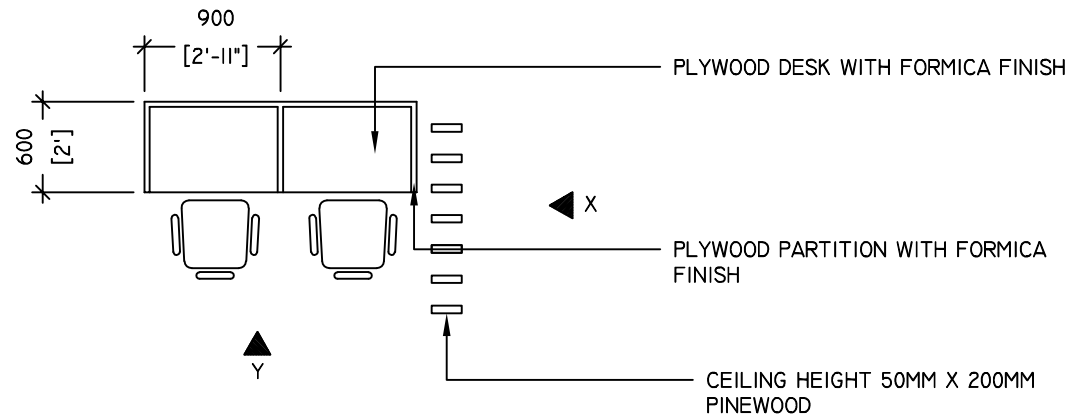
ADDU CITY JOB CENTER



ELEVATION

PARTITION 'B' - TIMBER PARTITION
1:50

ADDU CITY JOB CENTER

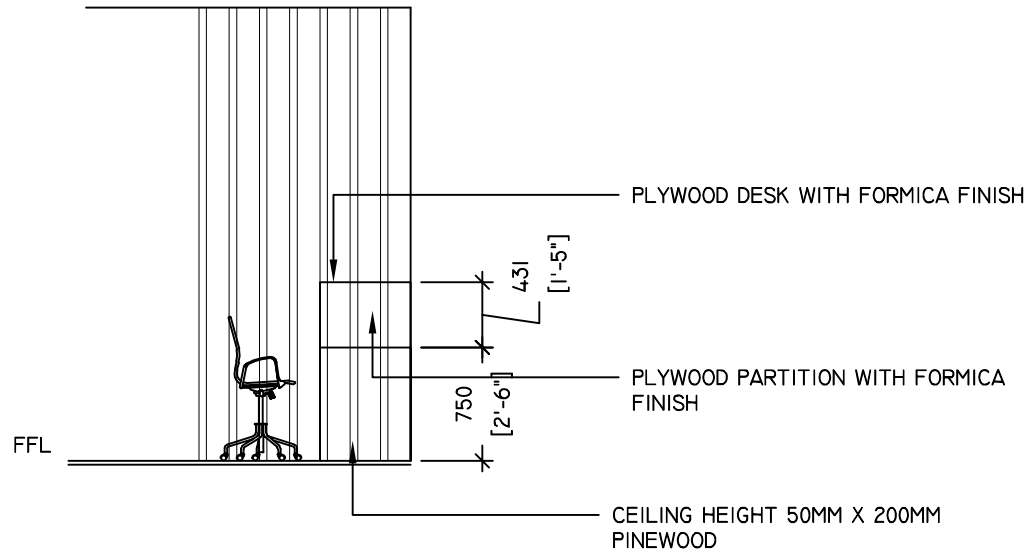


PLAN

SELF SERVICE COUNTER DETAILS

1:50

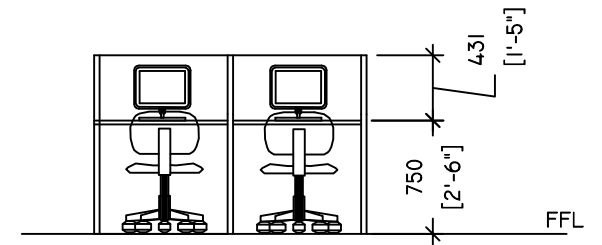
ADDU CITY JOB CENTER



ELEVATION - X

SELF SERVICE COUNTER DETAILS

1:50

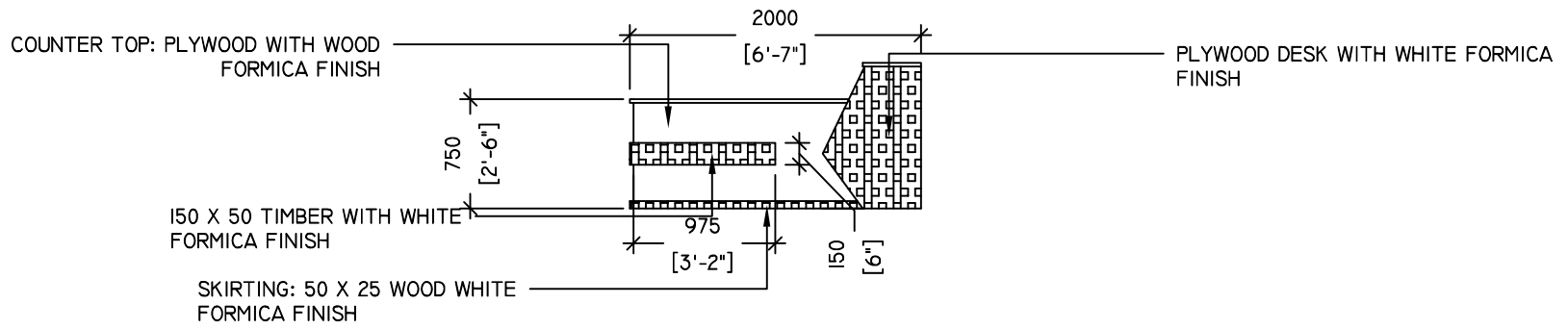


ELEVATION - Y

SELF SERVICE COUNTER DETAILS

1:50

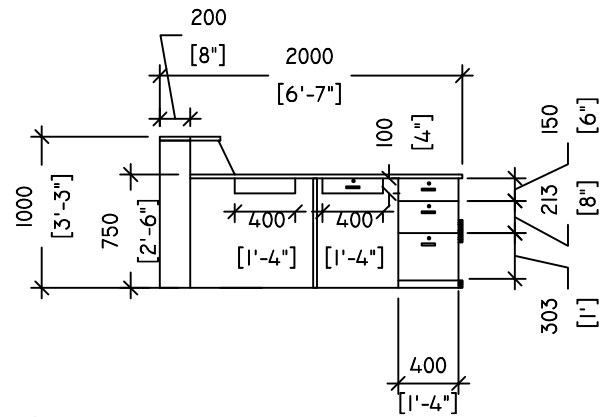
ADDU CITY JOB CENTER



ELEVATION - X

RECEPTION COUNTER DETAILS
 1:50

ADDU CITY JOB CENTER



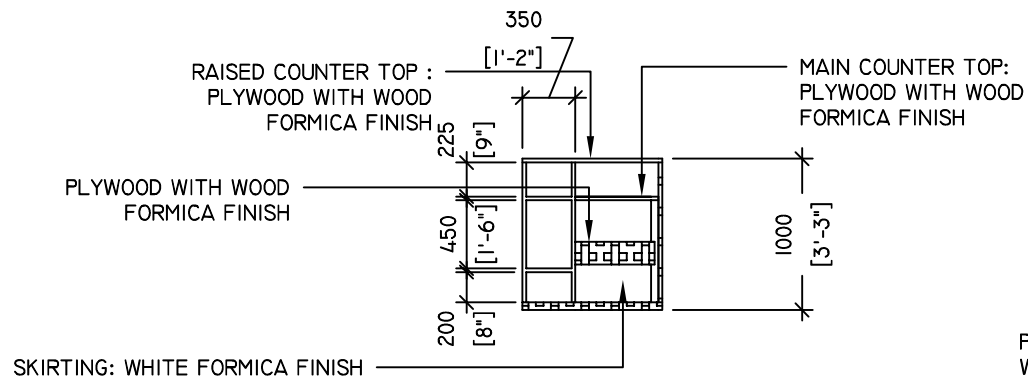
NOTE:
 FINISHES TO BE WHITE FORMICA FINISH EXPECT
 WHERE SPECIFICALLY STATED OTHERWISE

ELEVATION - Y

RECEPTION COUNTER DETAILS

1:50

ADDU CITY JOB CENTER

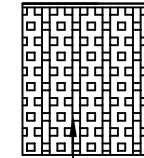


WHITE FORMICA FINISH SHOWN IN ELEVATION -X

ELEVATION - A

RECEPTION COUNTER DETAILS

1:50



PLYWOOD WITH
WOOD FORMICA
FINISH



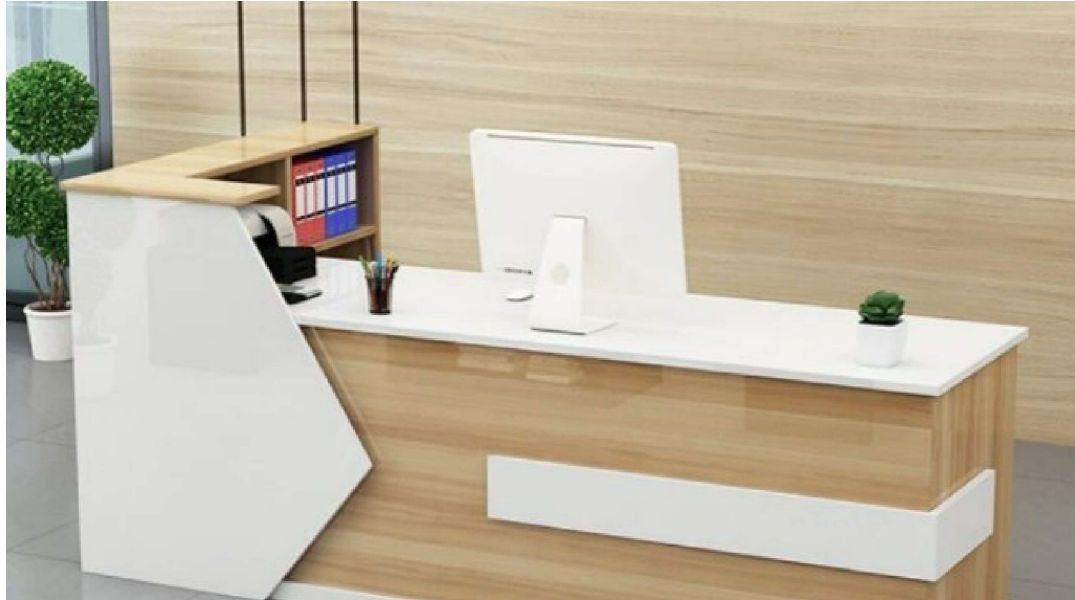
WHITE FORMICA FINISH SHOWN IN ELEVATION -X

ELEVATION - B

RECEPTION COUNTER DETAILS

1:50

ADDU CITY JOB CENTER



3D RENDER

RECEPTION COUNTER DETAILS

1:50

ADDU CITY JOB CENTER