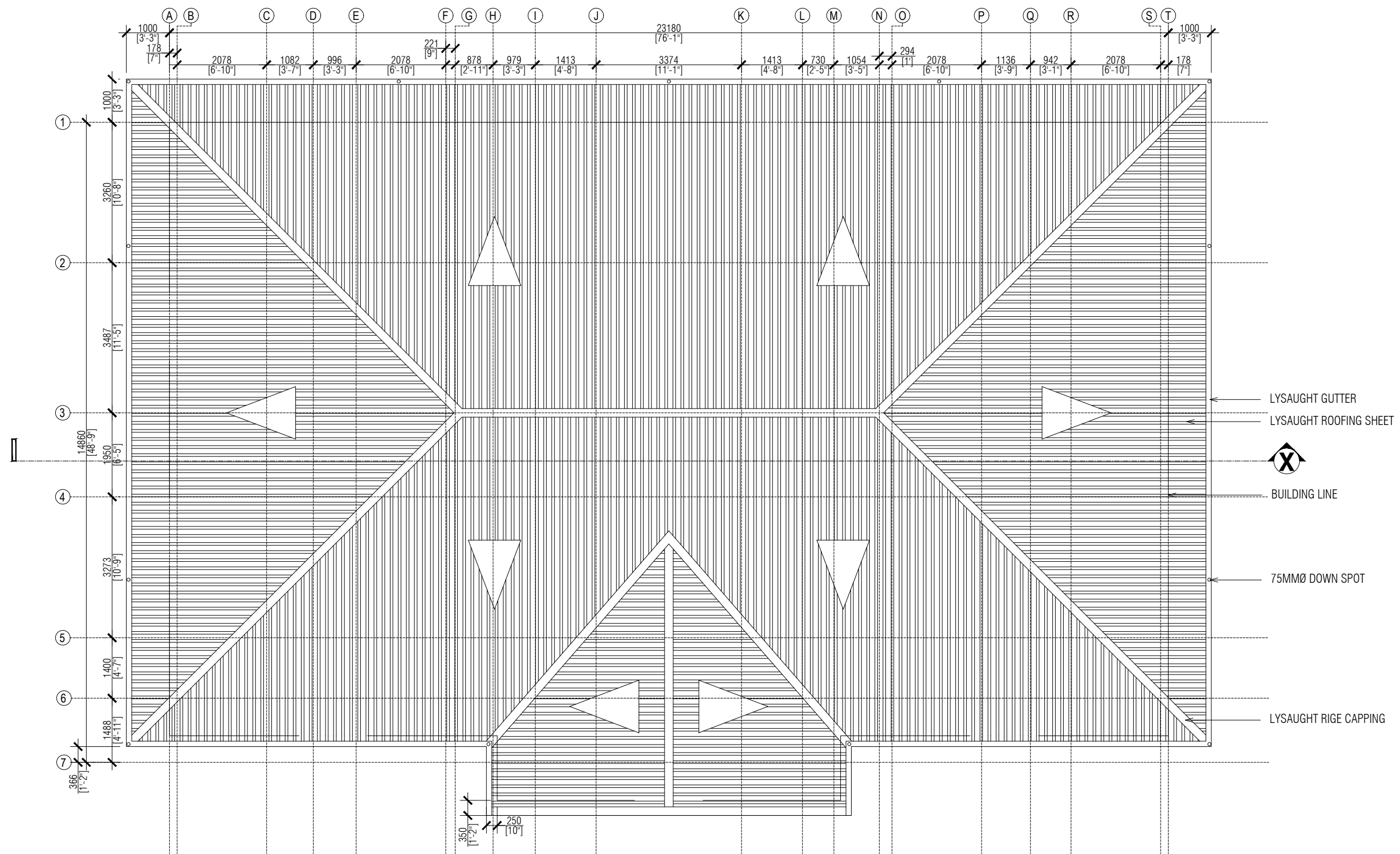
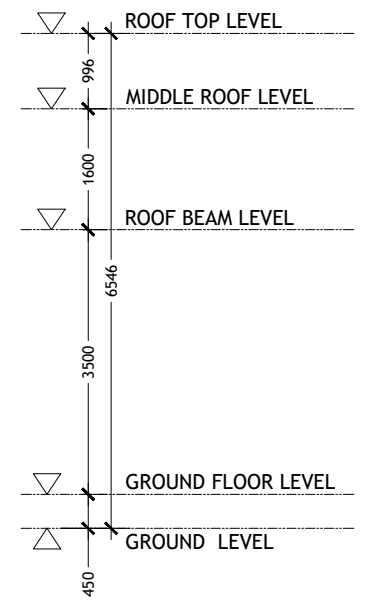
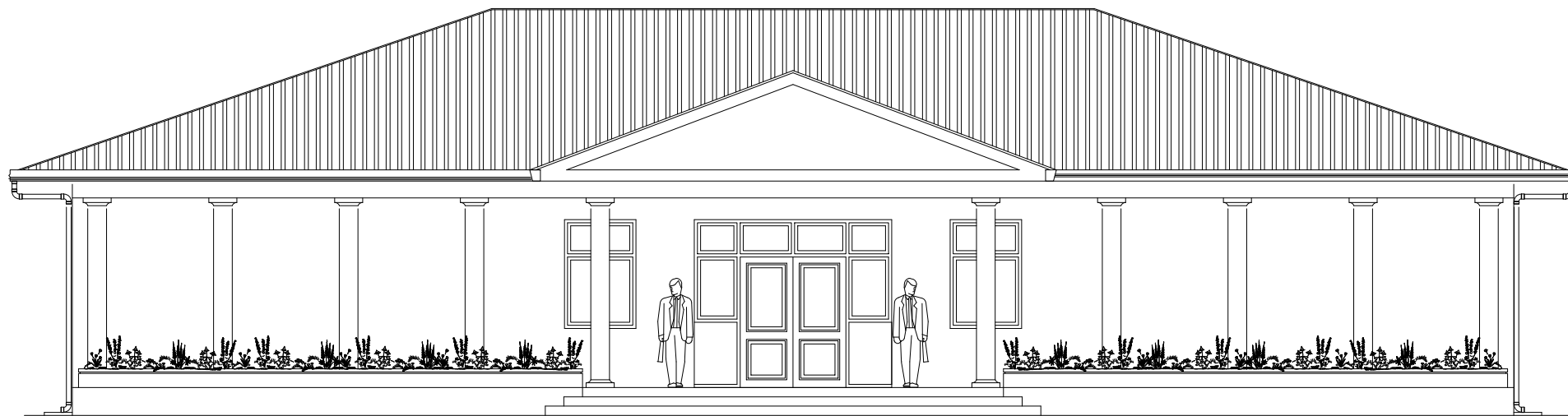


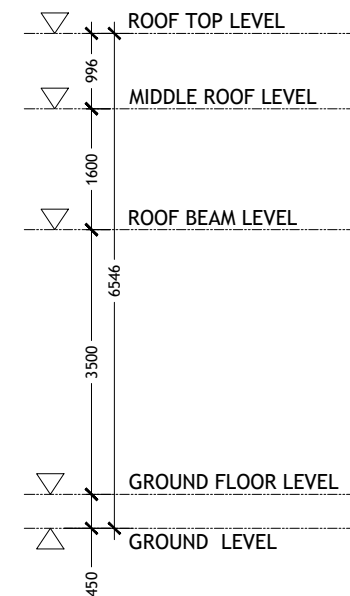
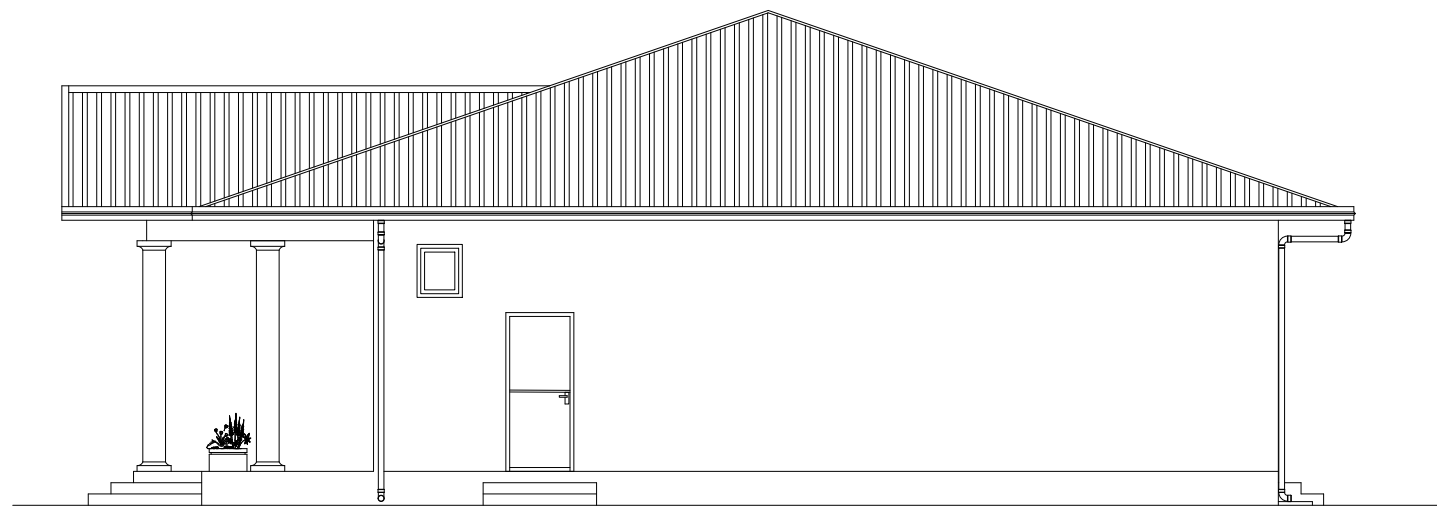
GROUND FLOOR PLAN
Scale 1:100



ROOF PLAN
 Scale 1:100

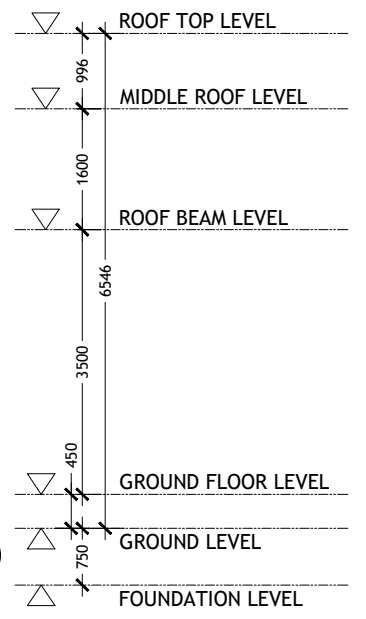
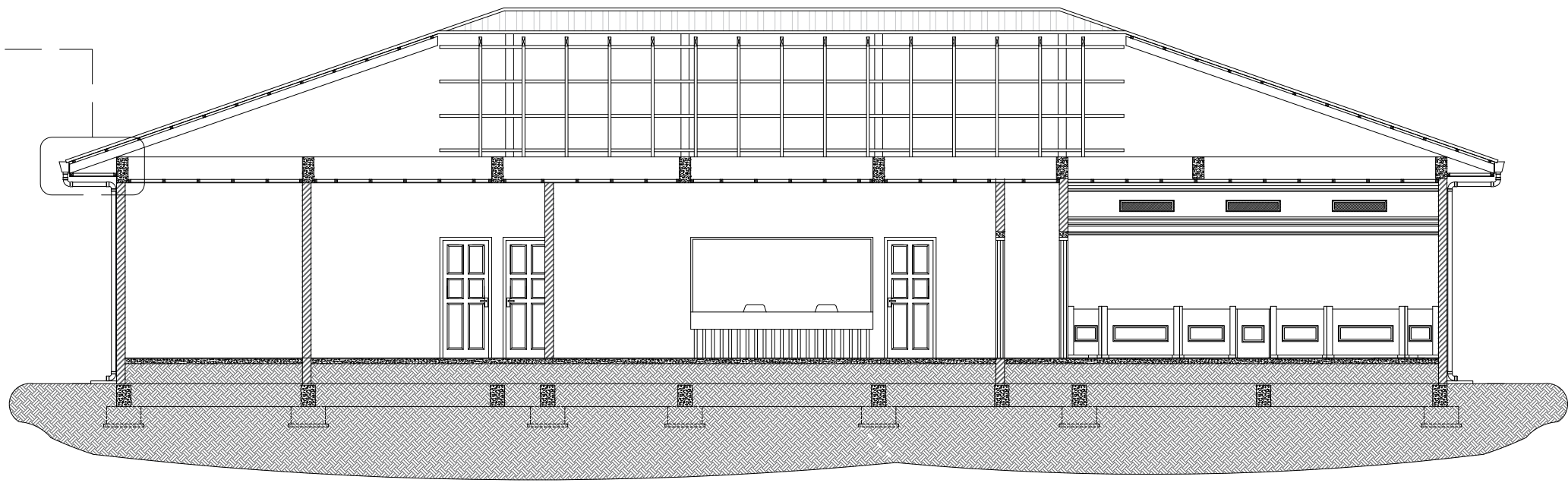


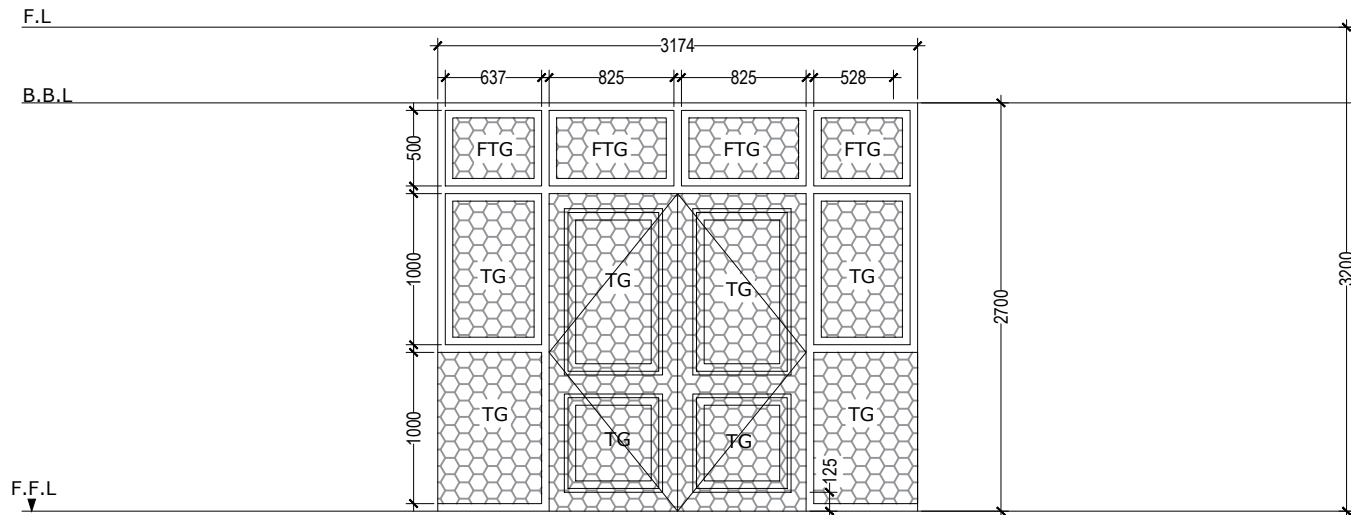
FRONT ELEVATION
Scale 1:100



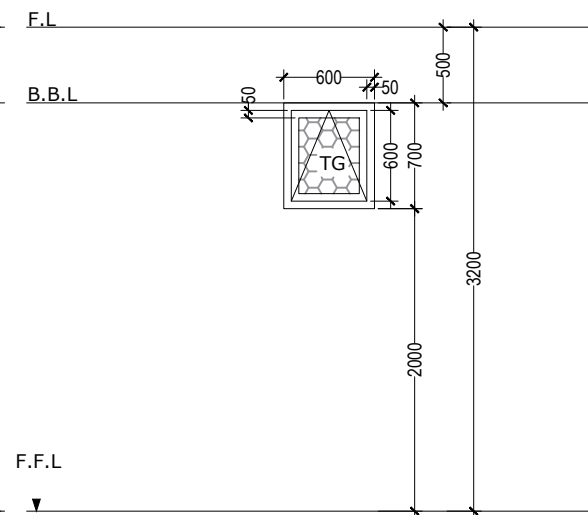
SIDE ELEVATION
Scale 1:100

DETAIL
01

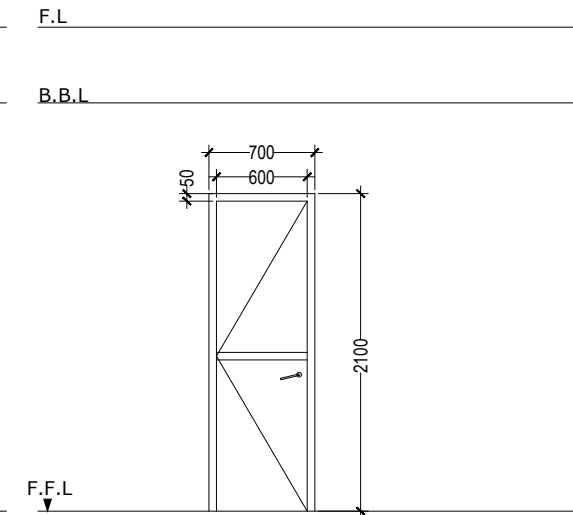




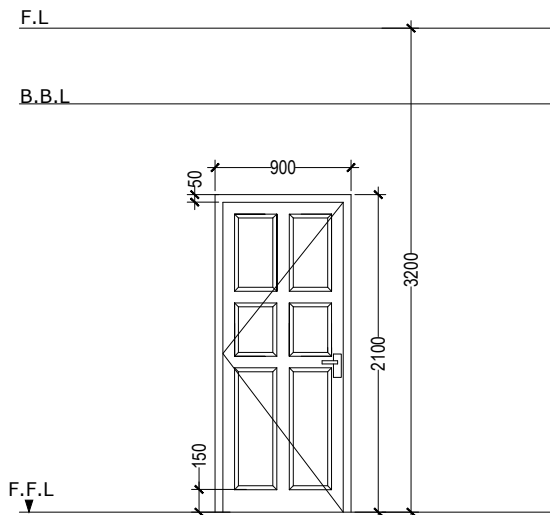
①	ALUMINUM DOOR	QTY	AREA
LOCATION	ENTRANCE	01	8.57 sqm
REMARKS	WHITE POWDER COATED ALUMINIUM FRAME DOOR WITH FIXED TINTED GLASS		



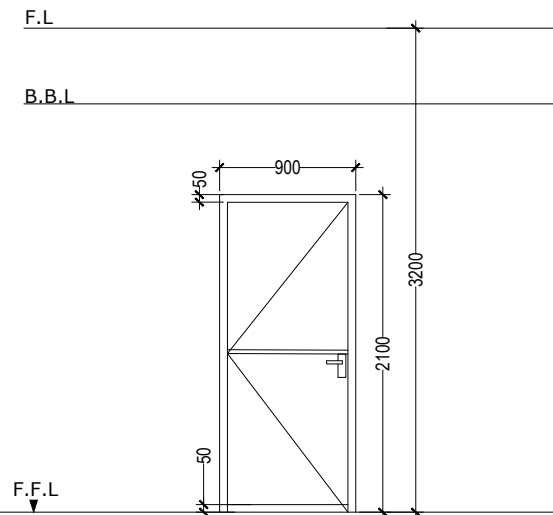
①	TOP HUNG WINDOW	QTY	AREA
LOCATION	TOILETS	05	0.42 sqm
REMARKS	WHITE POWDER COATED ALUMINIUM FRAME WINDOW WITH FROSTED GLASS		



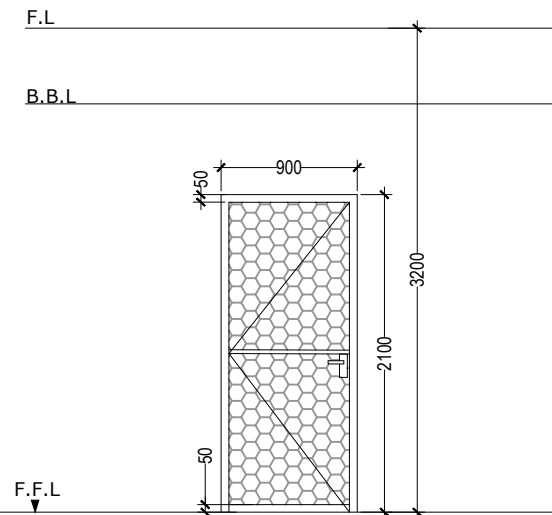
④	ALUMINUM DOOR	QTY	AREA
LOCATION	TOILETS	03	1.47 sqm
REMARKS	WHITE POWDER COATED ALUMINIUM FRAME DOOR WITH FIXED CLADDING		



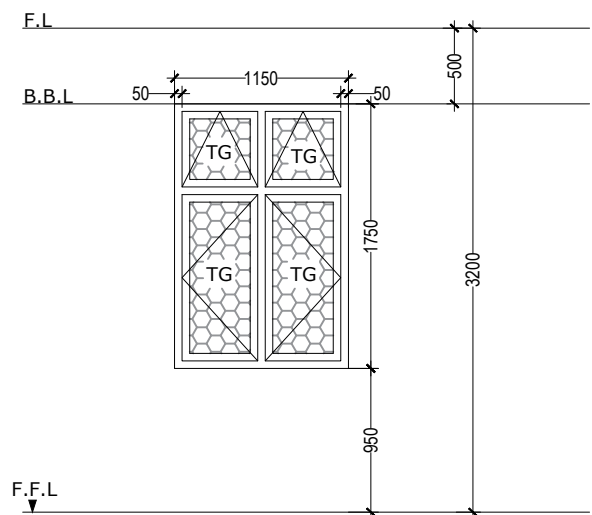
②	MSD DOOR	QTY	AREA
LOCATION		14	1.89 sqm
REMARKS	BORDER IN FRAME		



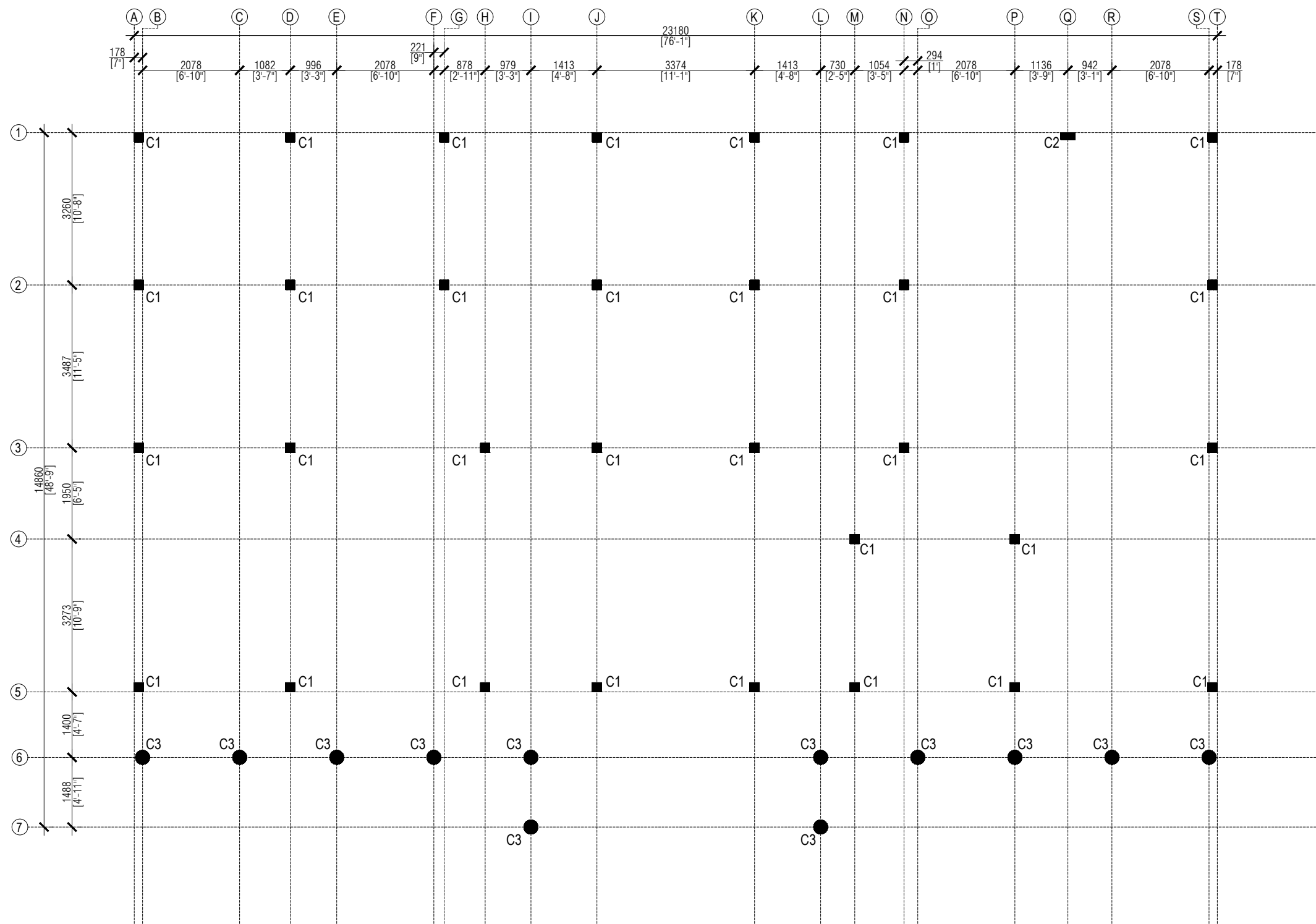
③	ALUMINUM DOOR	QTY	AREA
LOCATION		02	1.89 sqm
REMARKS	WHITE POWDER COATED ALUMINIUM FRAME DOOR WITH FIXED CLADDING		



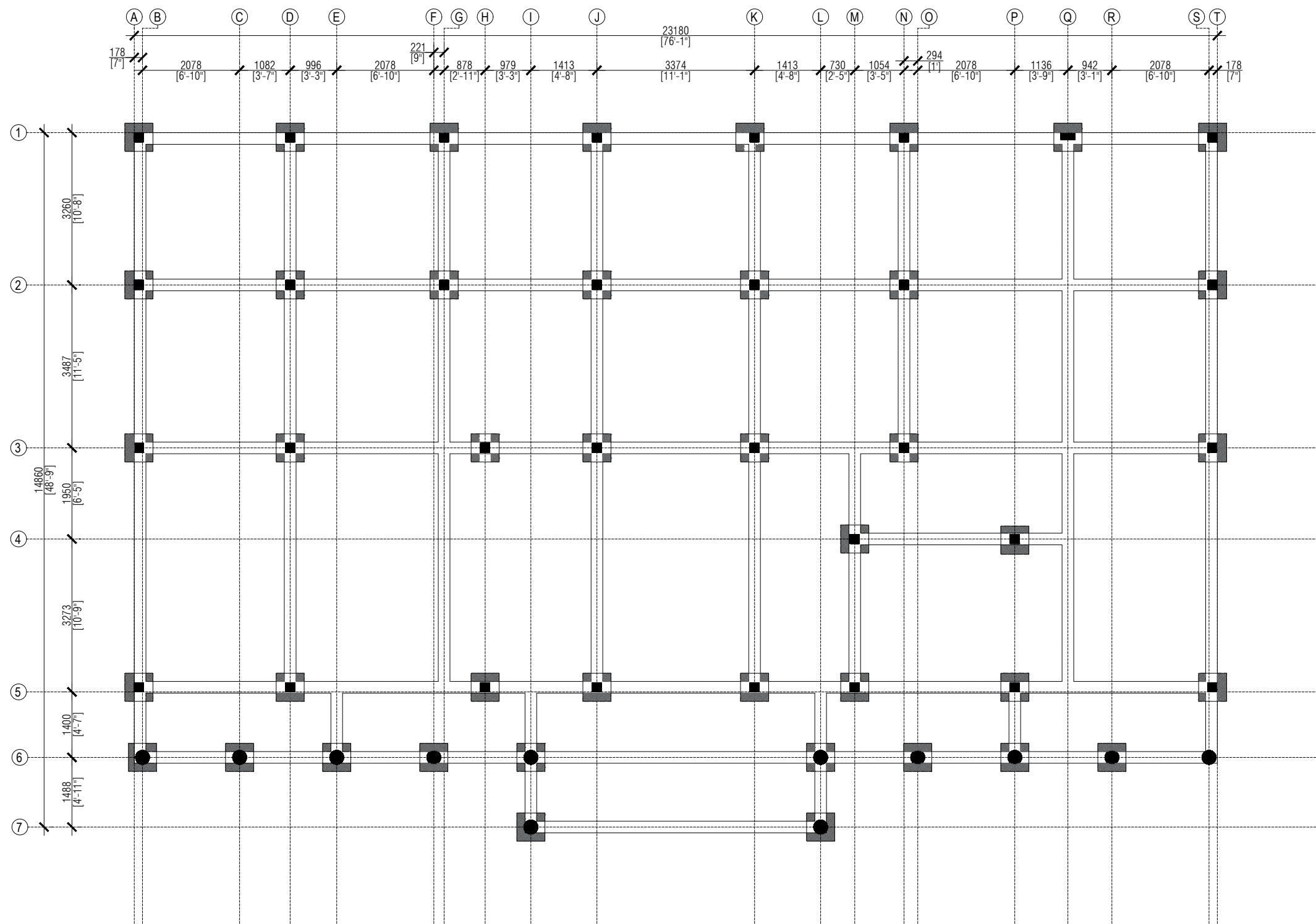
③	ALUMINUM DOOR	QTY	AREA
LOCATION		02	1.89 sqm
REMARKS	WHITE POWDER COATED ALUMINIUM FRAME DOOR WITH FIXED CLADDING		



①	SIDE HUNG - 2 PANEL	QTY	AREA
LOCATION		06	2.01 sqm
REMARKS	WHITE POWDER COATED ALUMINIUM FRAME WINDOW WITH TINTED GLASS		

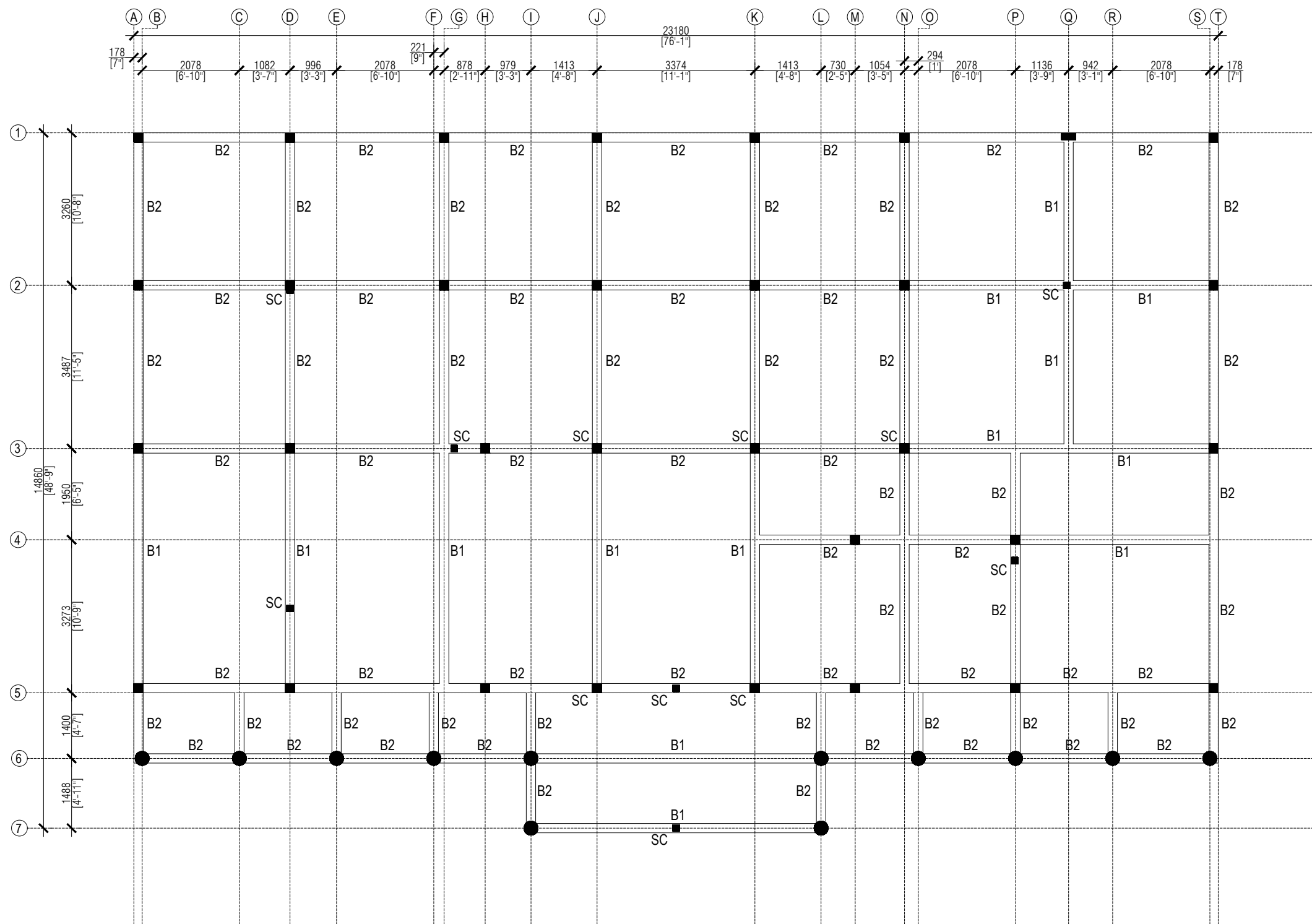


COLUMN LOCATION PLAN
Scale 1:100

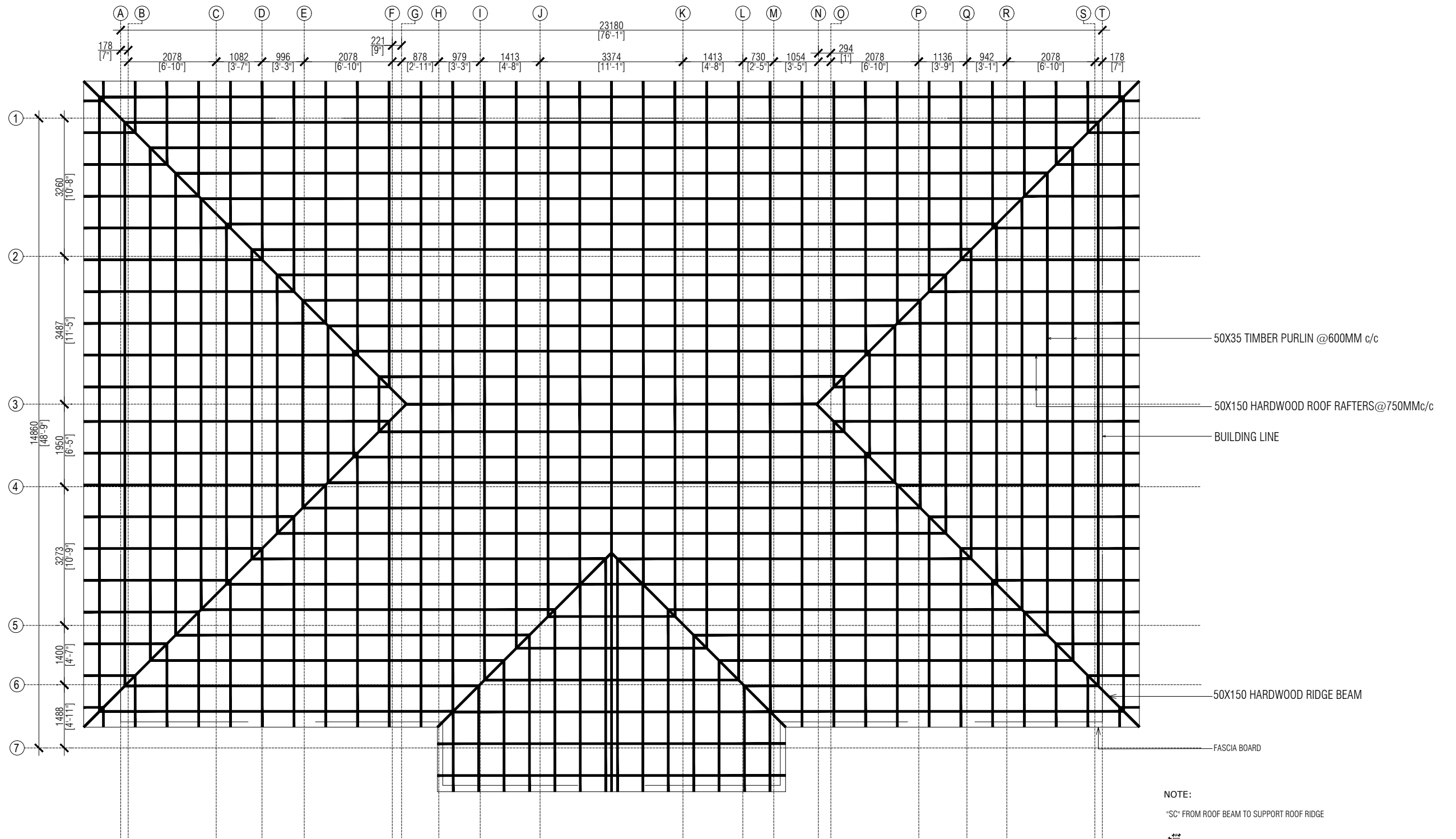


NOTE:
ALL DIMENSIONS TO
ALL POINTS/SET

FOUNDATION PLAN
Scale 1:100

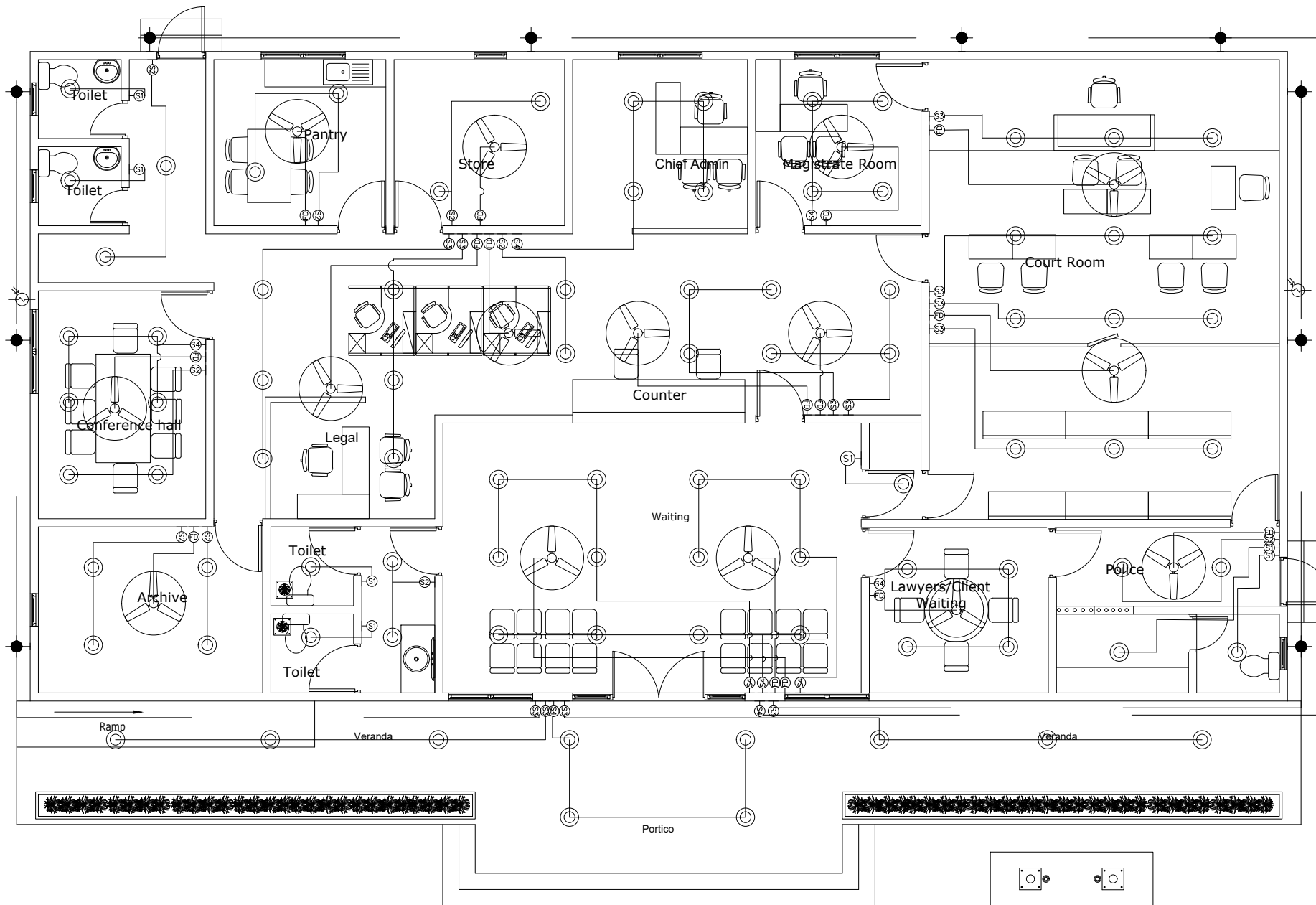


ROOF BEAM
Scale 1:100



SECTION
 Scale 1:100

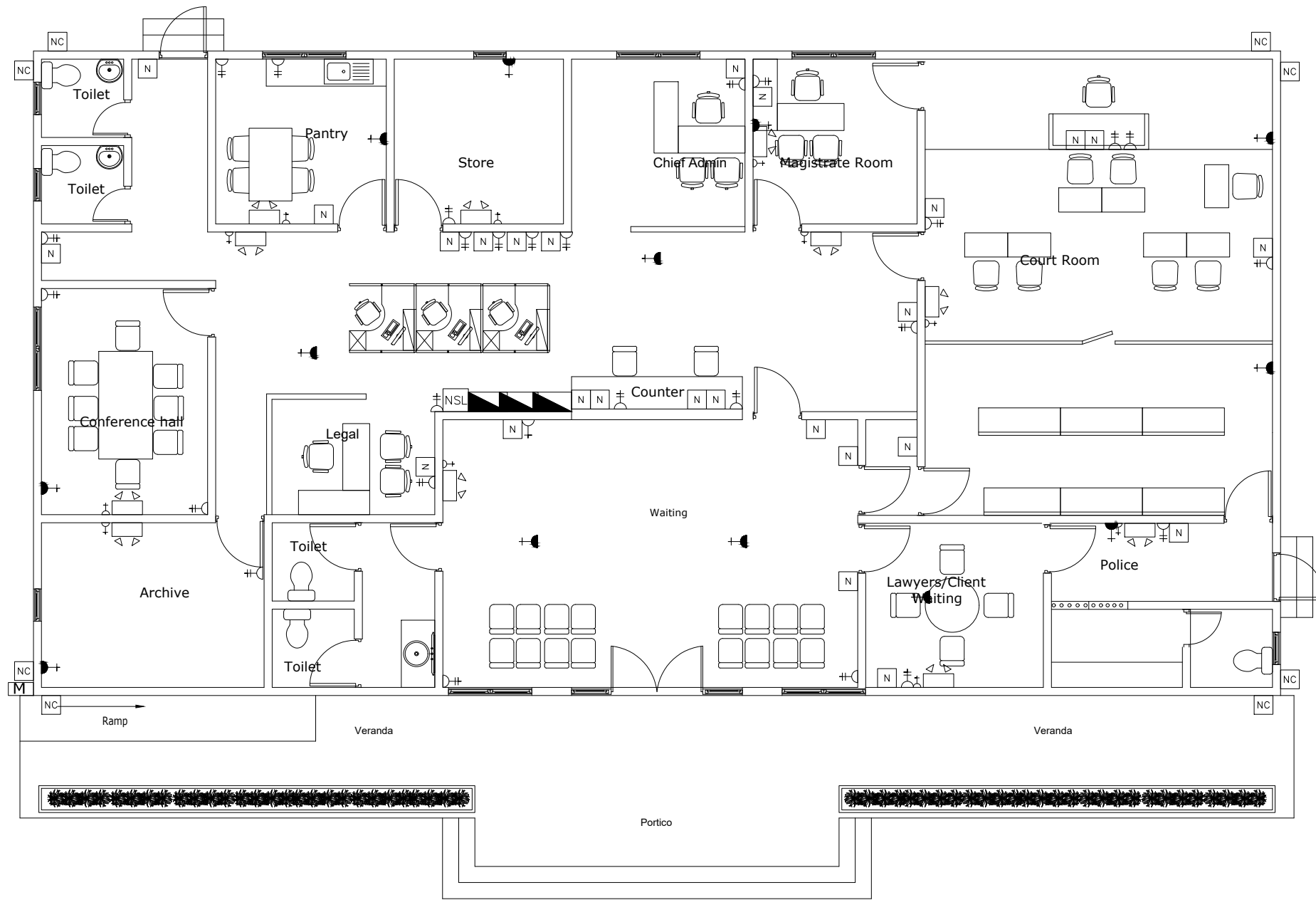




LEGEND	
⊙	DOWN LIGHTS C/W 24W LED LIGHT
⊕	WALL LIGHT BULB (WEATHERPROOF)
●	WATER PROOF SPOT LIGHT
⊕	CEILING FAN (1.3M DIAMETER)
⊕S1	ONE GANG SWITCH
⊕S2	TWO GANG SWITCH
⊕S3	THREE GANG SWITCH
⊕S4	FOUR GANG SWITCH
⊕D	FAN DIMMER
⊕	LIGHTING ROD
⊕	PHOTOCELL SWITCH
⊕	VENTILATION FAN

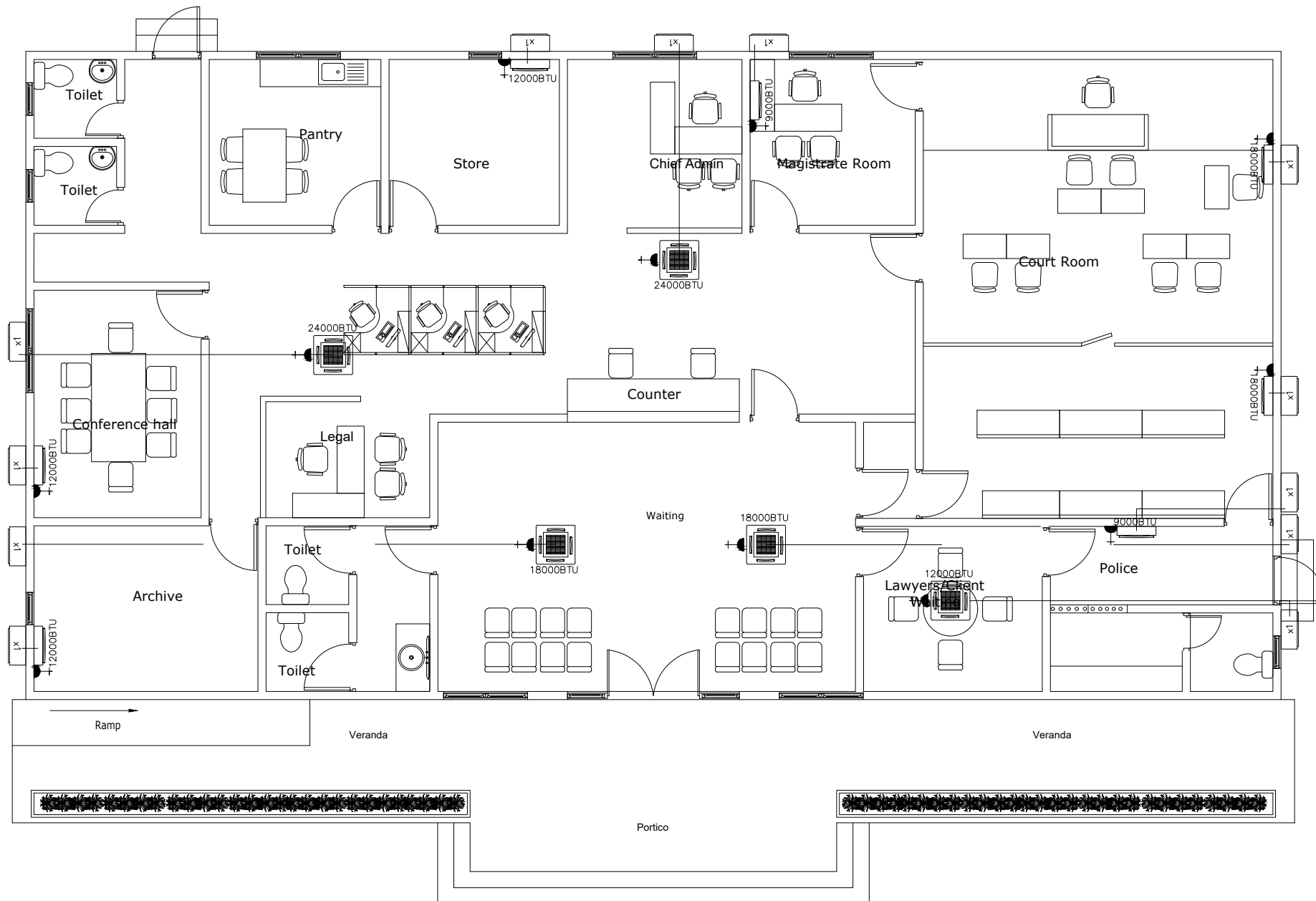
NOTE: ALL SWITCHES @ 1.2 FROM FFL
 ALL THE OUTDOOR LIGHTS ARE CONTROL BY PHOTOCELL SWITCH
 ALL GATE LIGHTS ARE CONTROL BY PHOTOCELL SWITCH
 ALL FLAG POST LIGHTS ARE CONTROL BY PHOTOCELL SWITCH

ELECTRICAL LIGHTING LAYOUT
 Scale 1:100



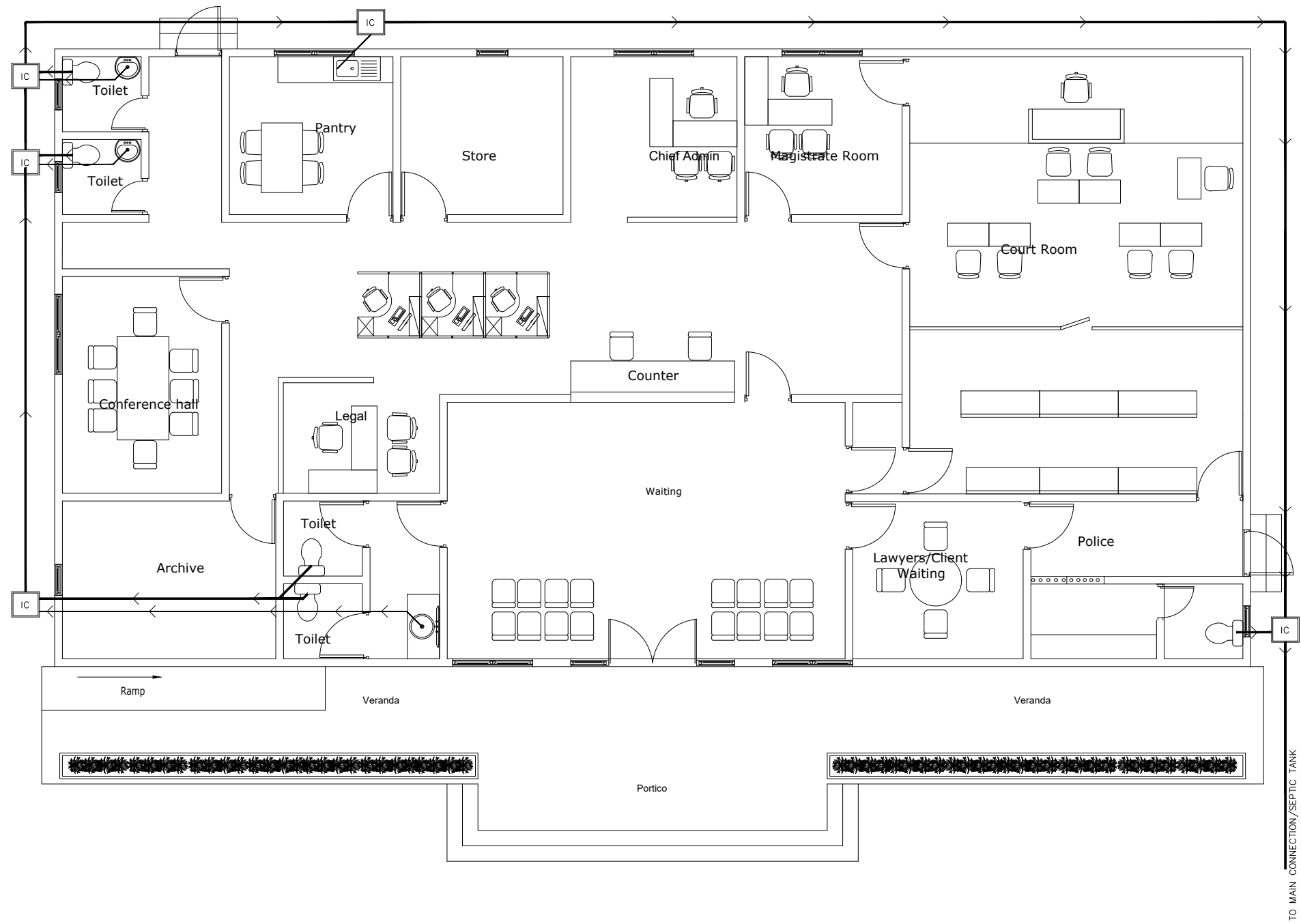
LEGEND 3 PHASE DISTRIBUTION BOARD	
	Main panel board. (3phase Meter) with Water Proof Box
	DISTRIBUTION BOARD
	NETWORK SWITCH LOCATION
	1 x 13A SOCKET OUTLET
	2 x 13A SOCKET OUTLET
	NETWORK OUTLET
	NETWORK TO CCTV
	EMERGENCY LIGHT TWO HOUR WITH 13A SOCKET OUTLET
	1 x 15A SOCKET OUTLET (Air Condition)

ELECTRICAL POWER LAYOUT
Scale 1:100



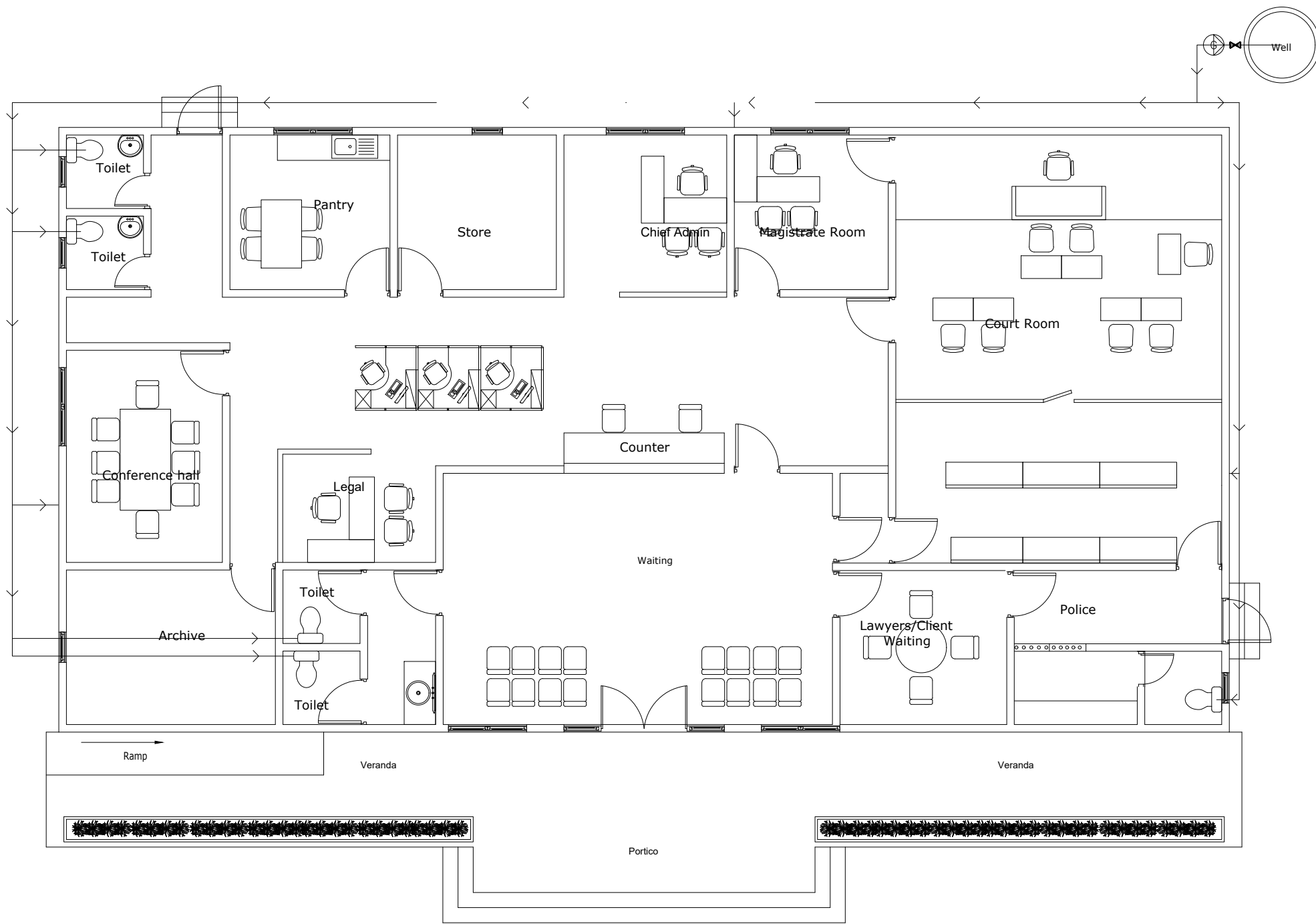
LEGEND	
	CEILING MOUNT AC INDOOR UNIT
	OUTDOOR UNIT
	WALL MOUNT AC INDOOR UNIT

AIR CONDITION LAYOUT
Scale 1:100



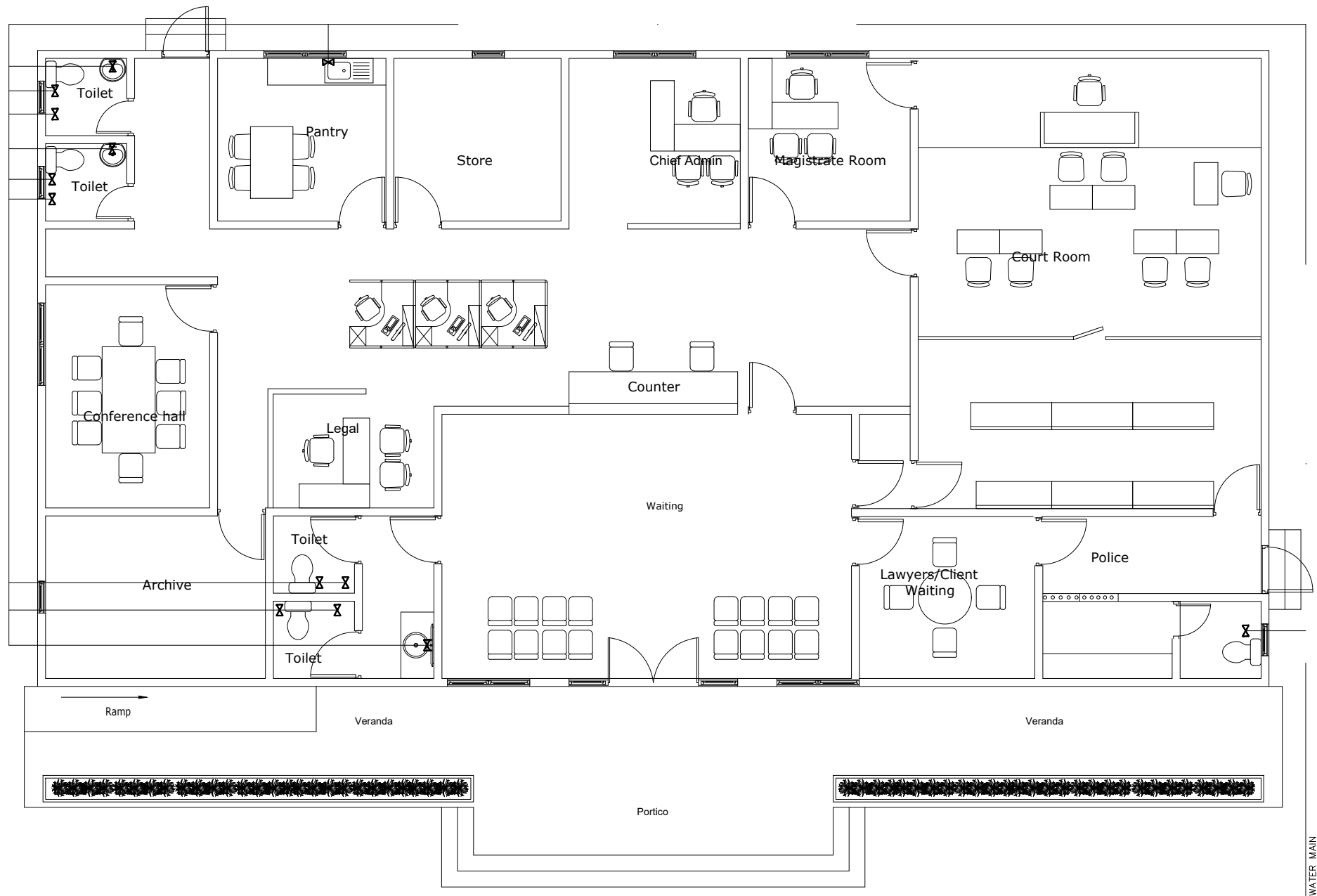
LEGEND	
	100mm ϕ PVC PIPE
	75mm ϕ PVC PIPE
	INSPECTION CHAMBER
	FLOOR DRAIN


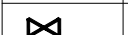
WASTE WATER PIPE LINE
Scale 1:100



LEGEND	
	12mm \varnothing WELL WATER SUPPLY PIPE
	VALVE
	GROUND WATER PUMP
	WELL

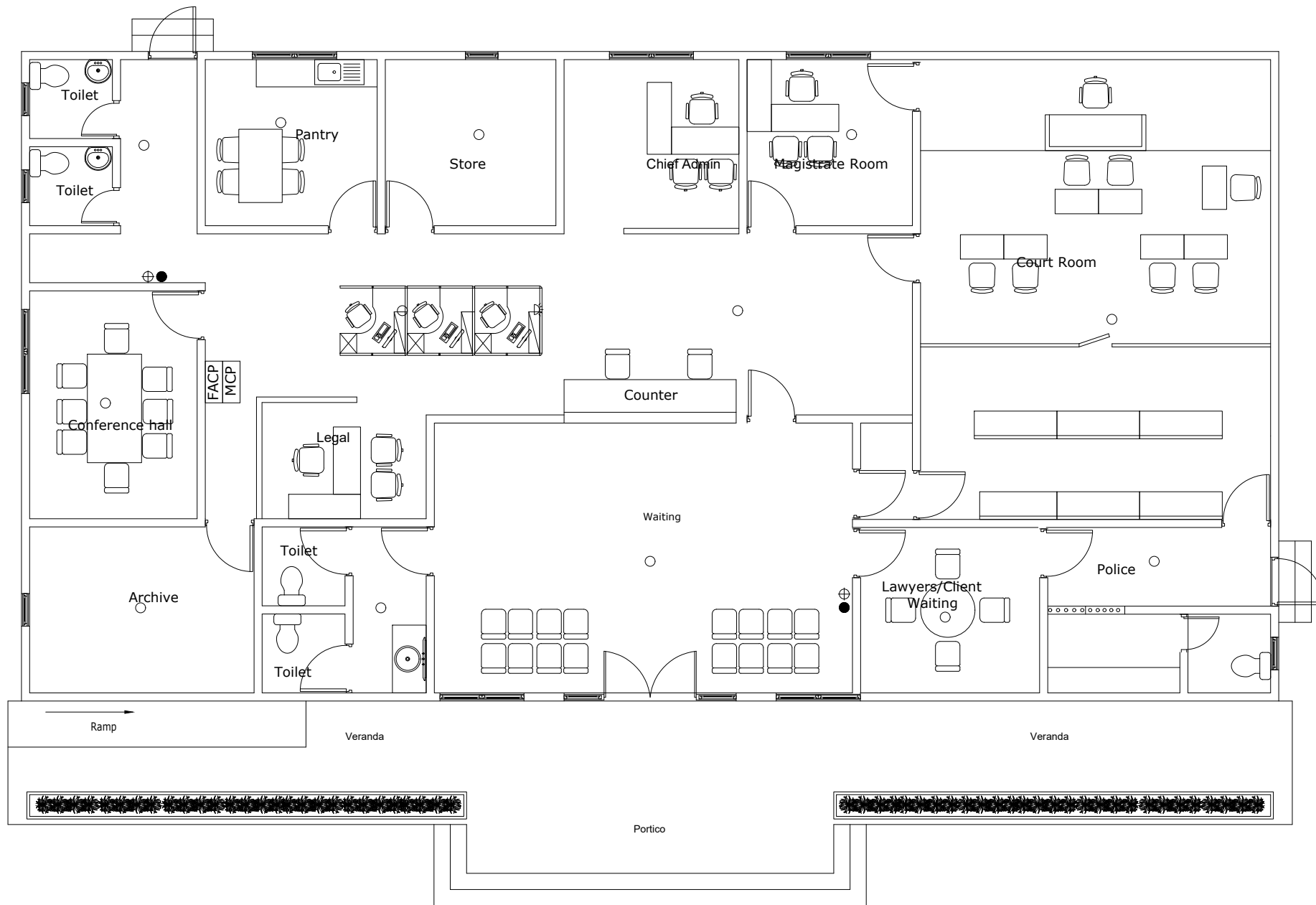
GROUND WATER PIPE LINE
Scale 1:100



LEGEND	
	12mm \varnothing WELL WATER SUPPLY PIPE
	VALVE

FRESH WATER PIPE LINE
Scale 1:100

FROM FRESH WATER MAIN

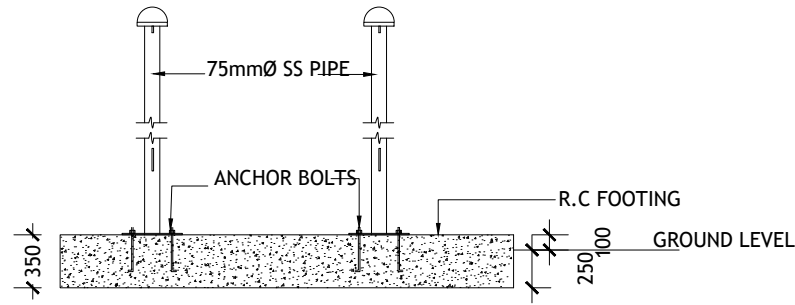


LEGEND	
○	SMOKE DETECTOR
⊕	9 LITER H2O FIRE EXTINGUISHER
●	2KG CO2 FIRE EXTINGUISHER
☙	FIRE ALARM SOUND STROBE 85DS
FACP	FIRE ALARM CONTROL PANEL
MCP	MANUAL CALL POINT

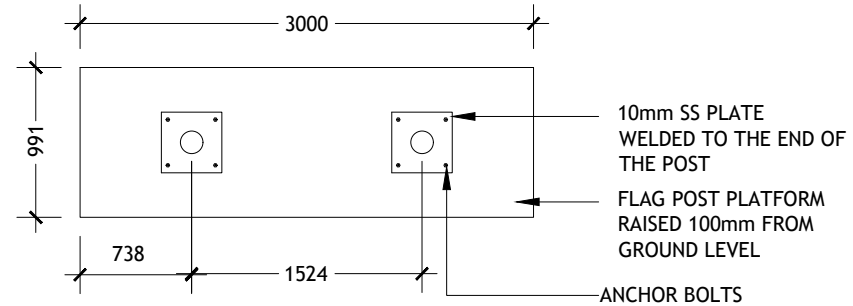
NOTE: ALL CABLE MUST BE FIRE RESISTANT CABLE

FIRE FIGHTING SYSTEM
Scale 1:100

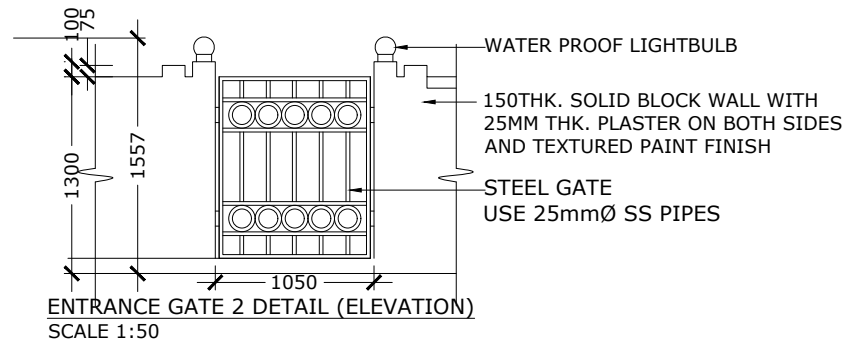
COUNTER DETAIL
(SECTION)
SCALE 1:50



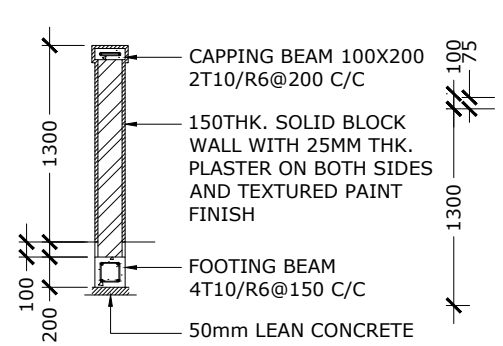
FLAG POST DETAIL
(SECTION)
SCALE 1:50



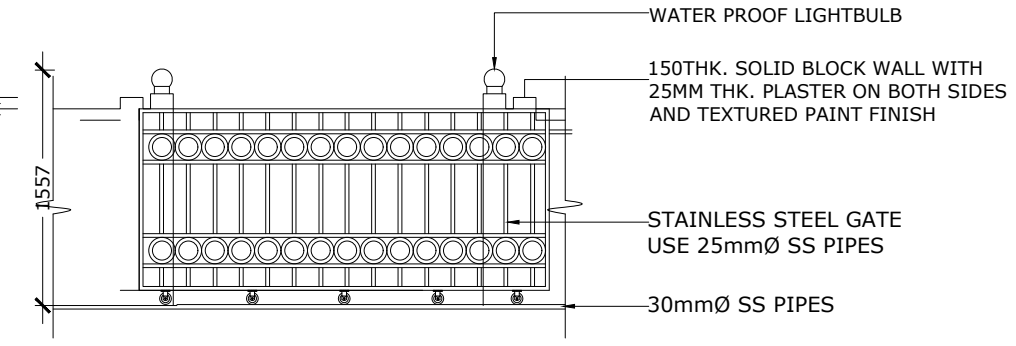
FLAG POST DETAIL
(PLAN)
SCALE 1:50



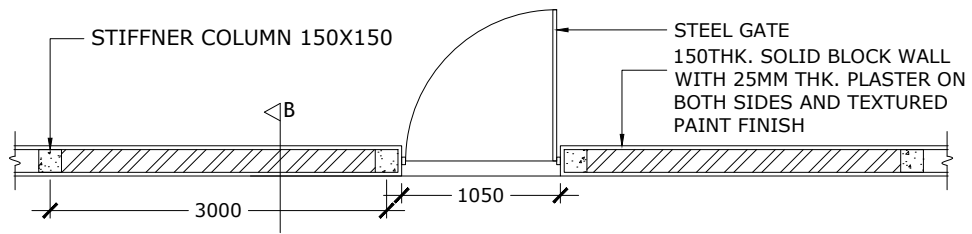
ENTRANCE GATE 2 DETAIL (ELEVATION)
SCALE 1:50



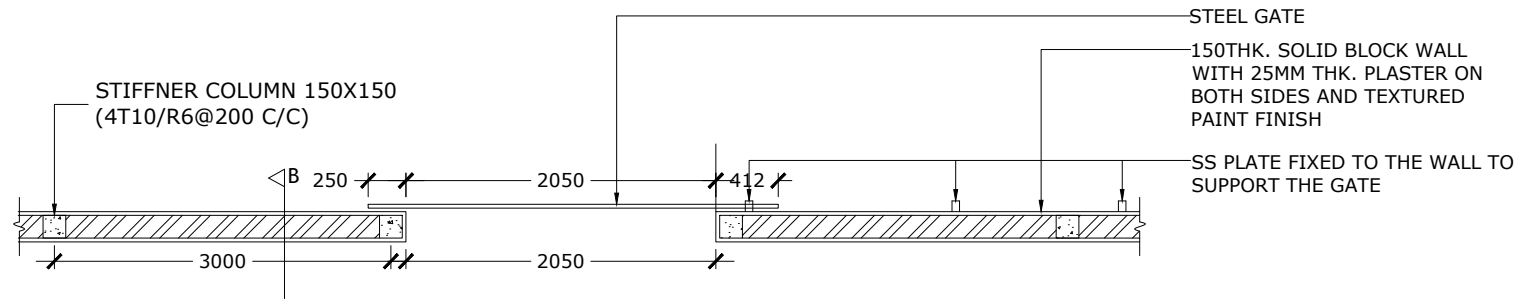
BOUNDARY WALL DETAIL
(SECTION-B)
SCALE 1:50



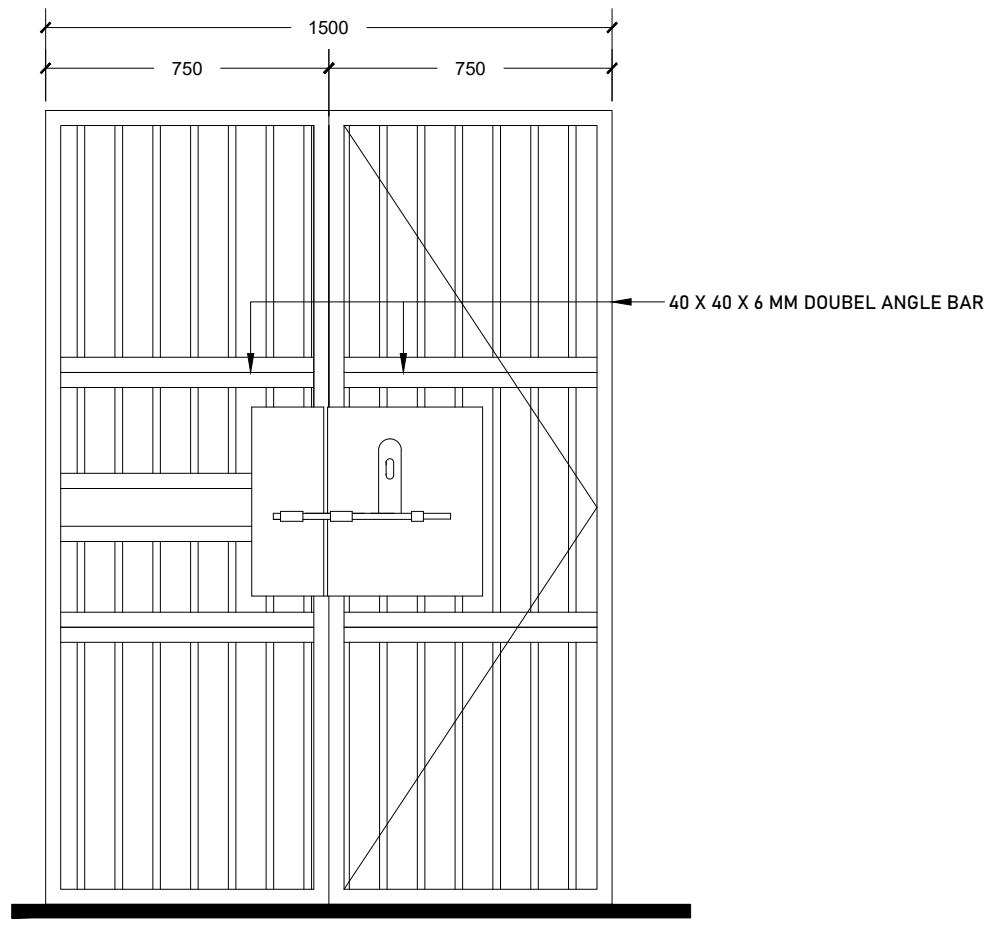
ENTRANCE GATE 1 DETAIL (ELEVATION)
SCALE 1:50



BOUNDARY WALL / ENTRANCE GATE 2 DETAIL
(PLAN)
SCALE 1:50



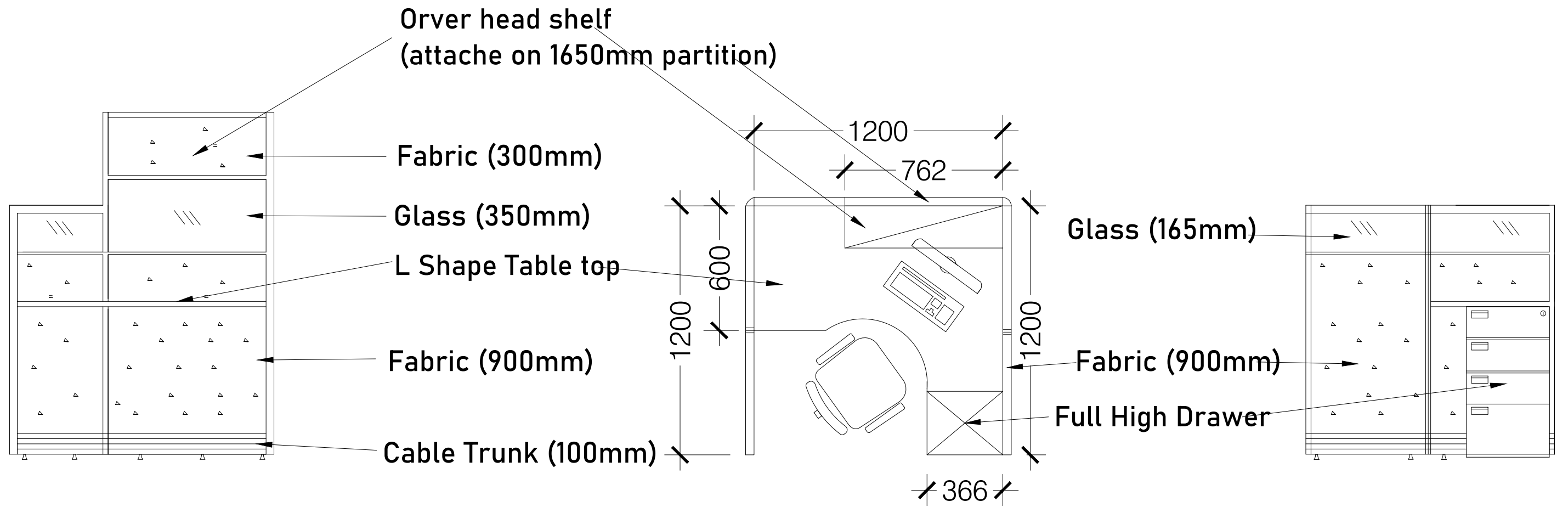
BOUNDARY WALL / ENTRANCE GATE 1 DETAIL
(PLAN)
SCALE 1:50

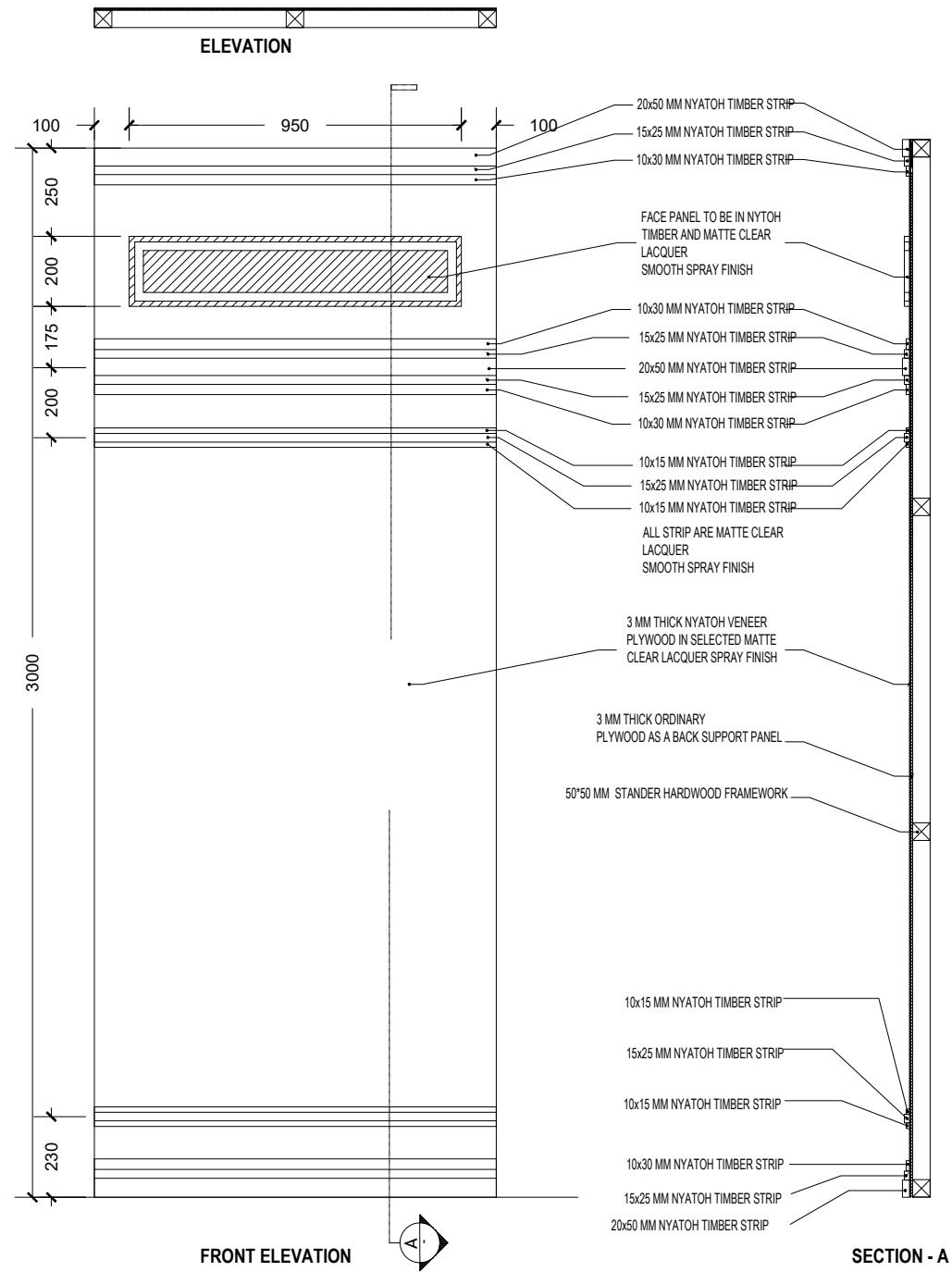


16mm DIA TOR STEEL BAR GRILL DOOR
 BAR AT 100mm ON CENTER
 USE 40 X 40 X 6 ANGLE BAR
 PROVISION FOR TWO LOCKS AT TWO LEVELS

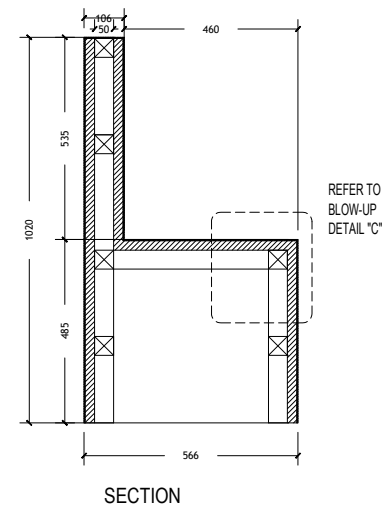
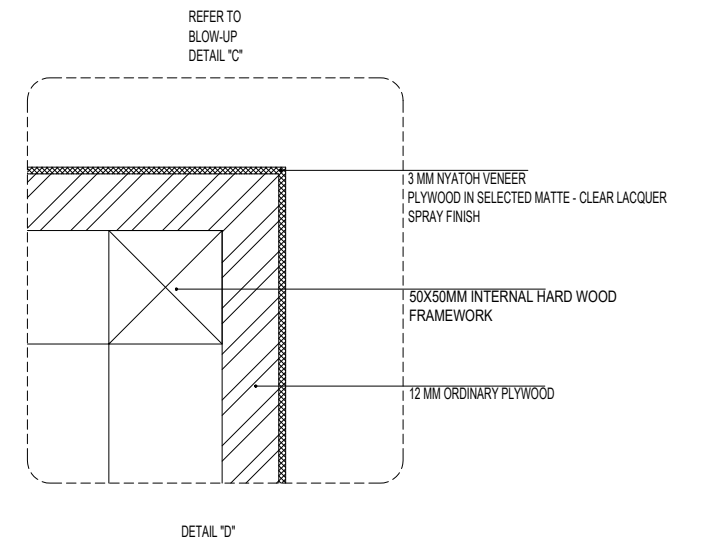
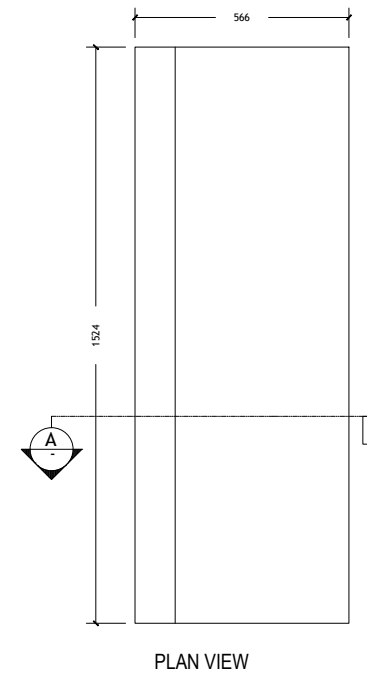
STRUCTURAL DETAILS OF PRISON CELL
 Scale 1:20

Work Station

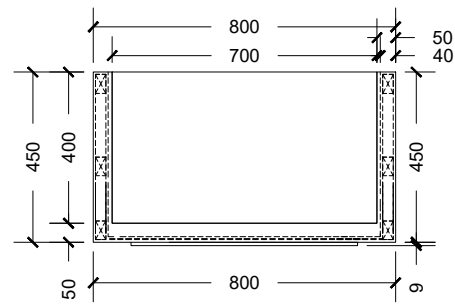




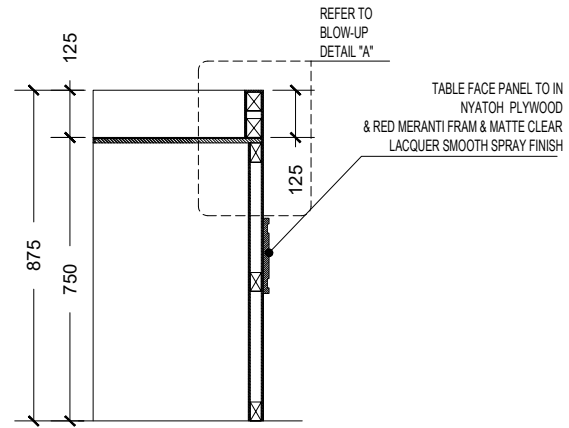
COURT ROOM BACK PANELS & STAGE DETAILS
SCALE 1:20



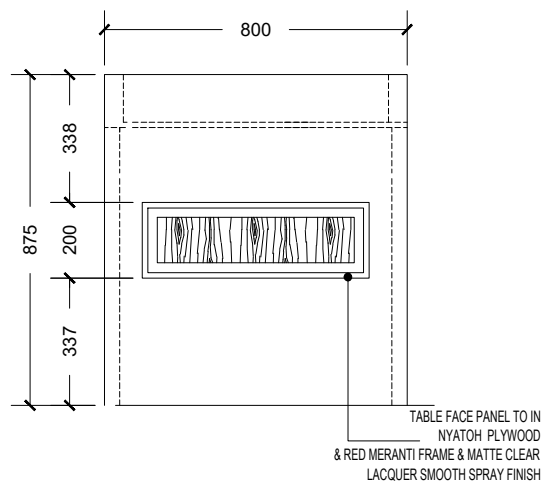
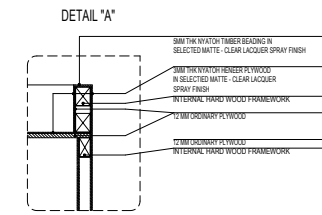
JUDGE PANEL TABLE
BENCH DETAILS



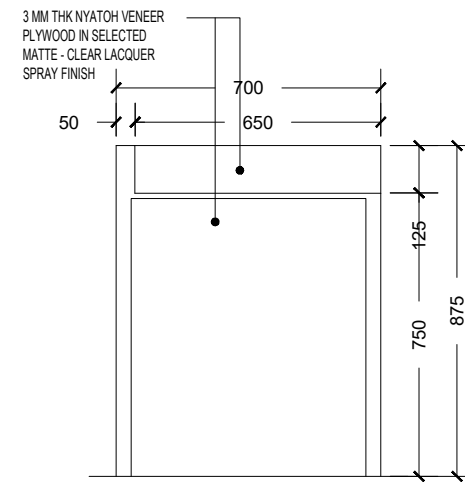
PLAN VIEW



SECTION



FRONT ELEVATION



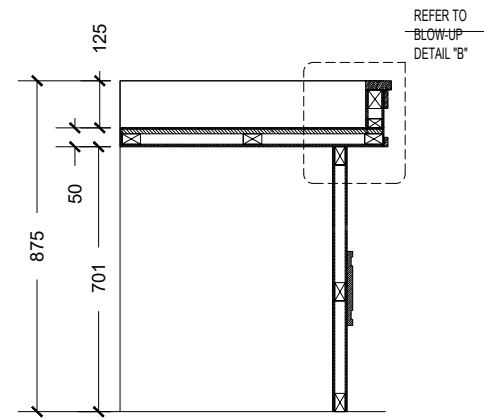
REAR ELEVATION

NOTE:

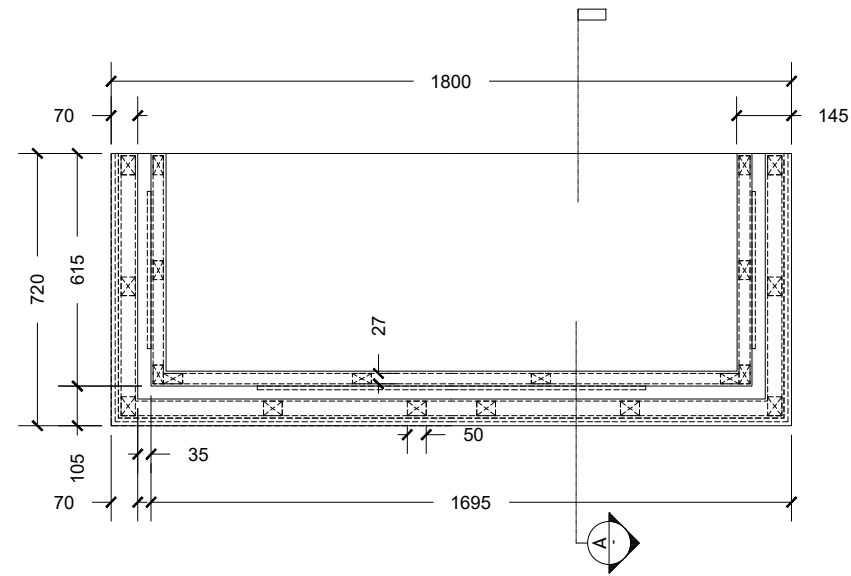
ALL TIMBERS WHICH ARE USED FOR THE STANDARD EXTERNAL FRAMEWORK TO BE APPLIED WITH SOLIGNUM TIMBER TREATMENT CHEMICAL OR EQUIVALENT, 24 HOURS BEFORE USING ON THE FRAMEWORK.

ALL SIDES TO BE FINISHED WITH NATURAL VENEER OF THE SAME WOOD USED ON THE RESPECTIVE PART OF THE FURNITURE.

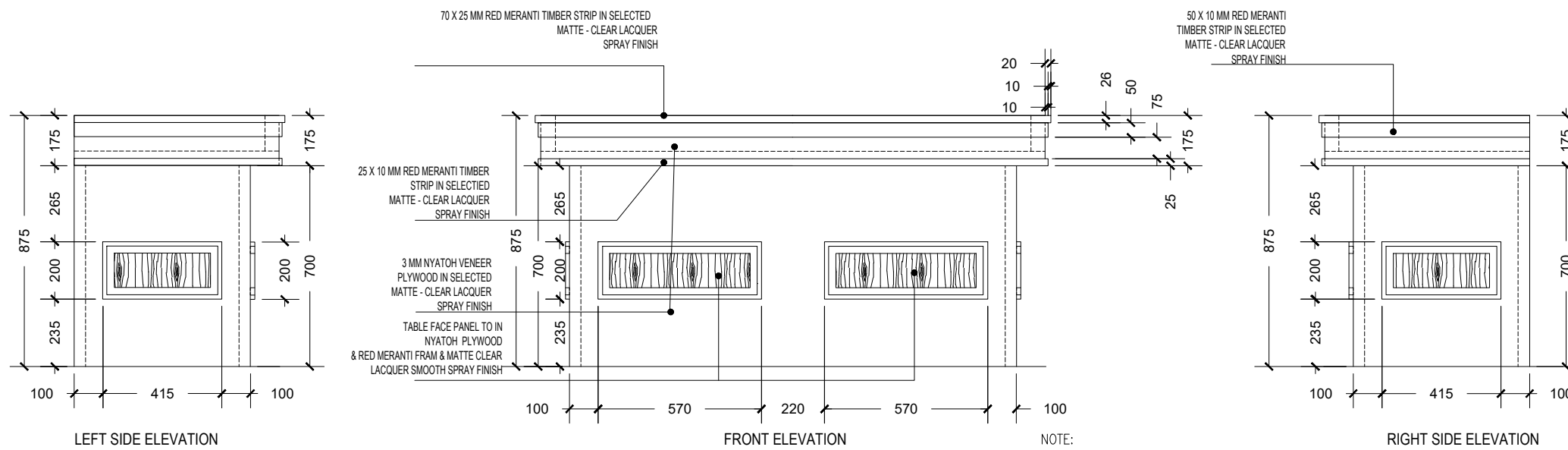
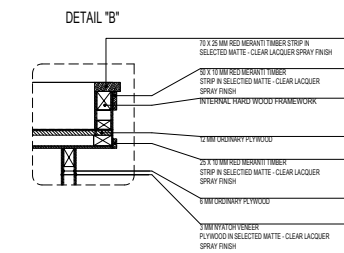
REGISTRARS'/LAWYER'S/WITNESS' TABLE
TABLE DETAILS



SECTION



PLAN VIEW



LEFT SIDE ELEVATION

FRONT ELEVATION

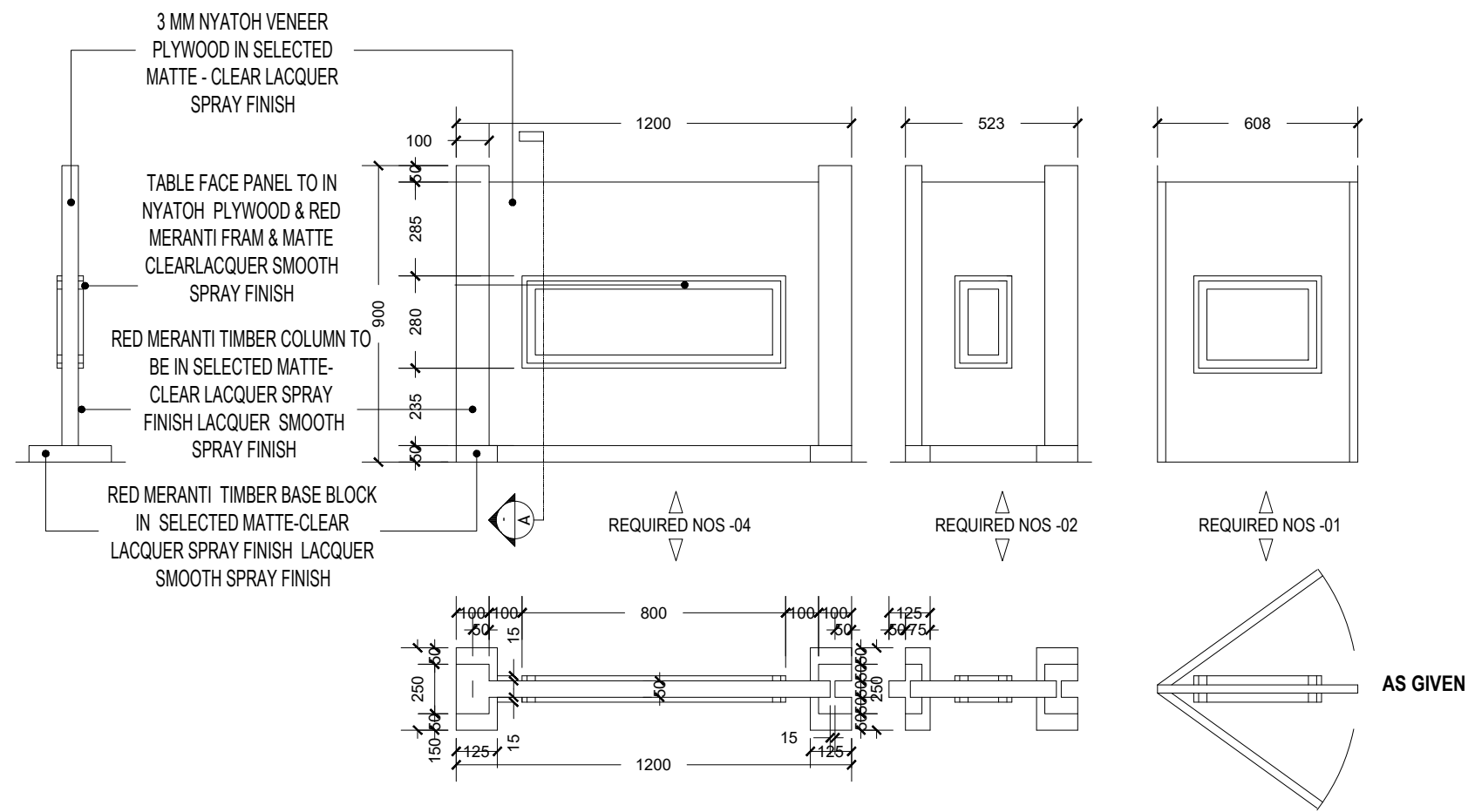
RIGHT SIDE ELEVATION

JUDGE PANEL TABLE
TABLE DETAILS

NOTE:

ALL TIMBERS WHICH ARE USED FOR THE STANDARD EXTERNAL FRAMEWORK TO BE APPLIED WITH SOLIGNUM TIMBER TREATMENT CHEMICAL OR EQUIVALENT, 24 HOURS BEFORE USING ON THE FRAMEWORK.

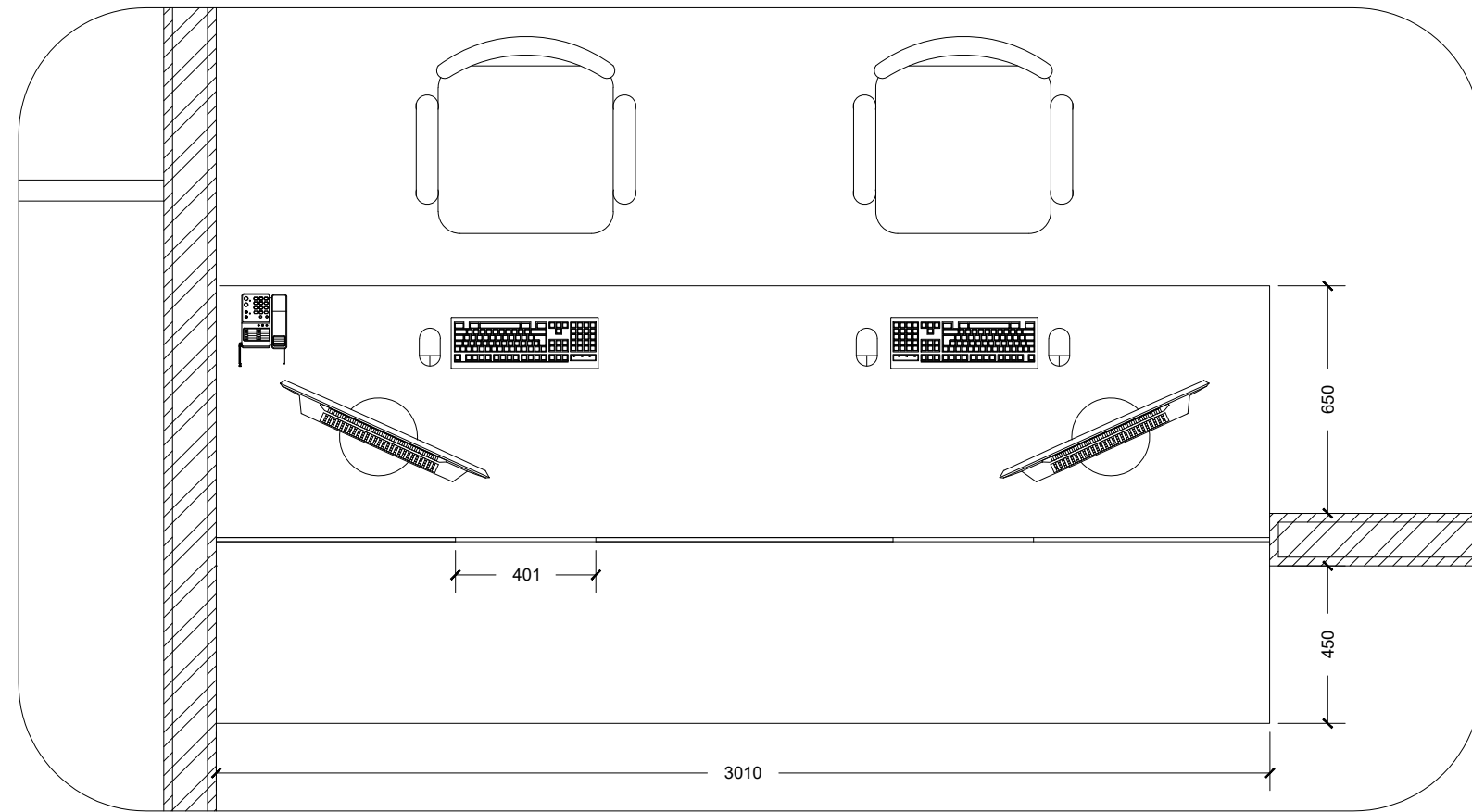
ALL SIDES TO BE FINISHED WITH NATURAL VENEER OF THE SAME WOOD USED ON THE RESPECTIVE PART OF THE FURNITURE.



ALL THE TIMBERS WHICH ARE USED FOR THE STANDARD INTERNAL FRAME WORK TO BE APPLIED WITH SOLIGNUM TIMER TREATMENT CHEMICAL OR EQUIVALENT, 24HRS BEFORE USING ON THE FRAMEWORK

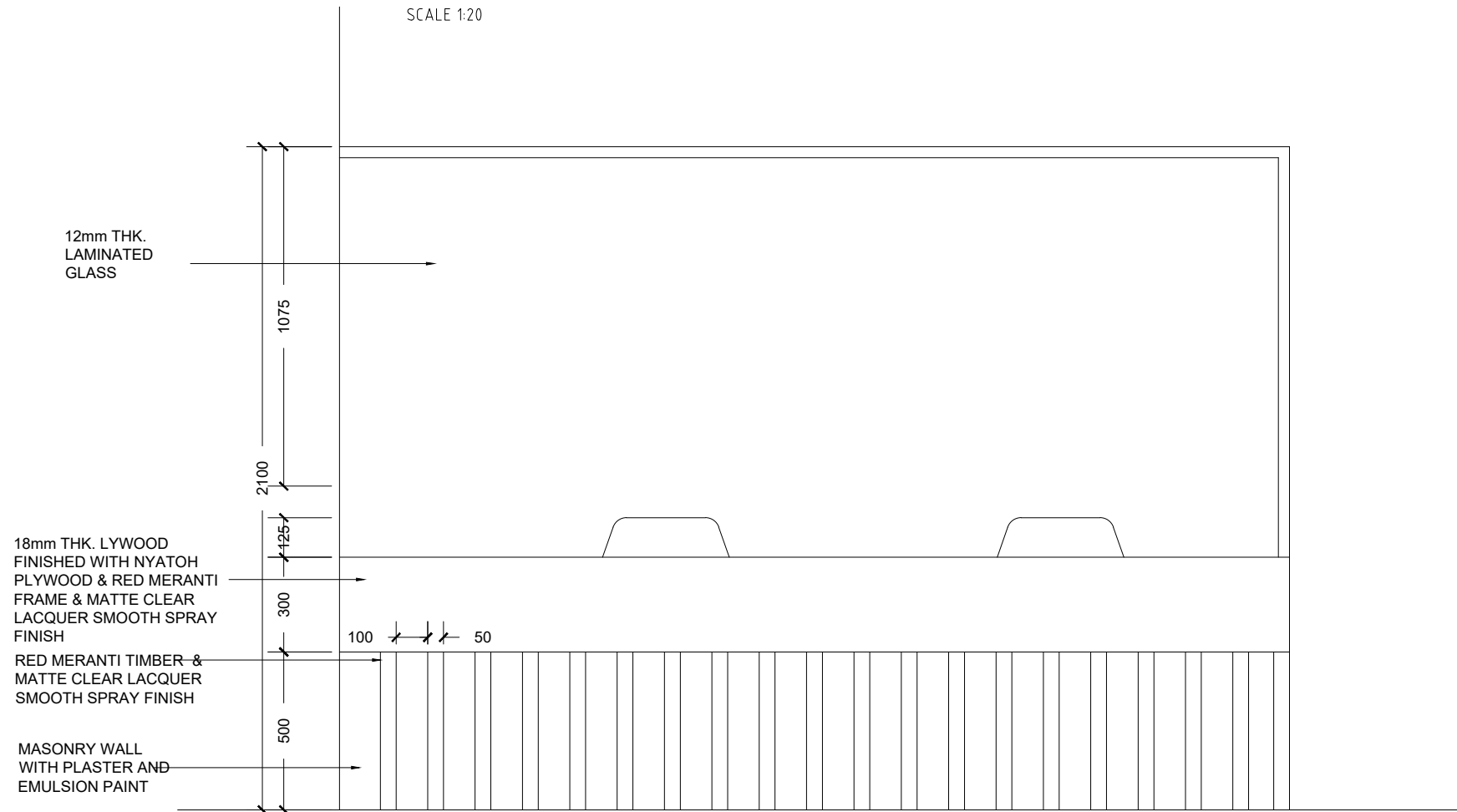
ALL THIN SIDE TO BE FINISHED WITH NATURAL VENEER OF THE SAME WOOD USED ON THE RESPECTIE PART OF THE FURNITURE

 **DIVIDER PARTITION DETAIL**
1:20



RECEPTION COUNTER PLAN

SCALE 1:20



RECEPTION COUNTER FRONT ELEVATION

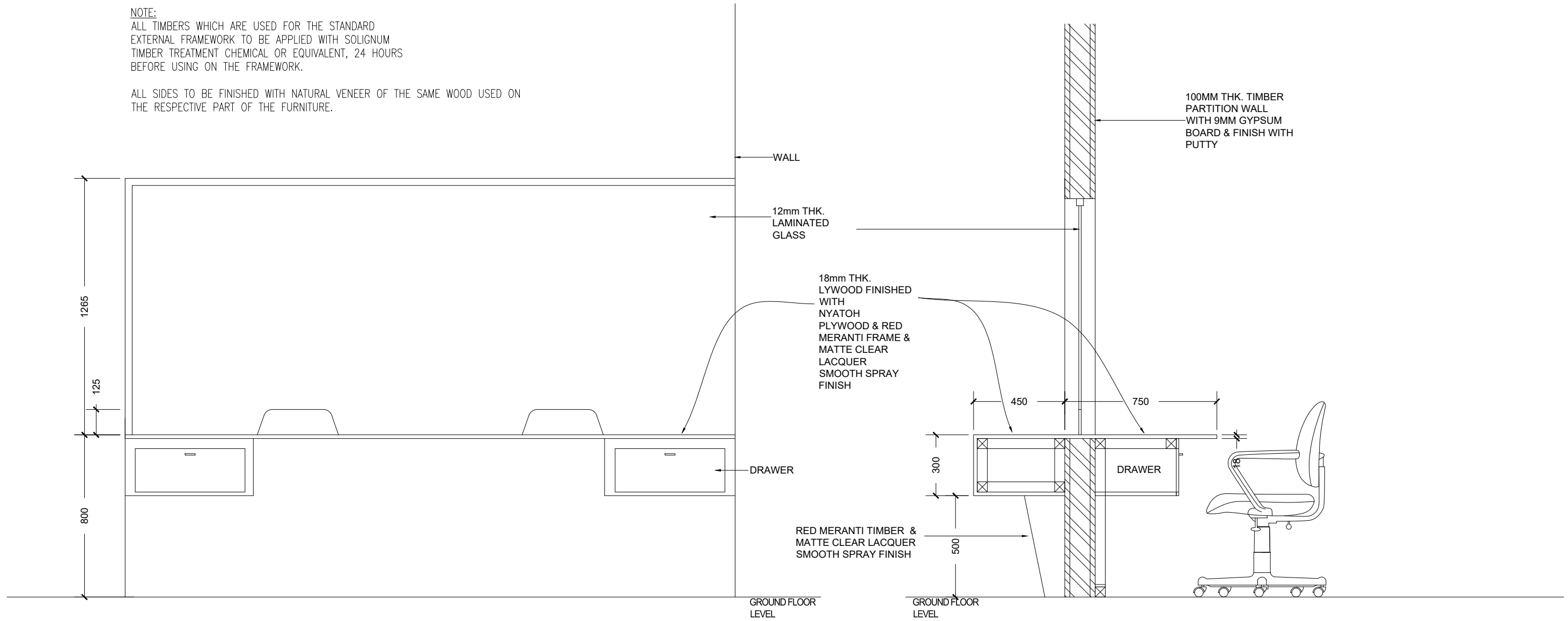
SCALE 1:20

GROUND FLOOR LEVEL

NOTE:

ALL TIMBERS WHICH ARE USED FOR THE STANDARD EXTERNAL FRAMEWORK TO BE APPLIED WITH SOLIGNUM TIMBER TREATMENT CHEMICAL OR EQUIVALENT, 24 HOURS BEFORE USING ON THE FRAMEWORK.

ALL SIDES TO BE FINISHED WITH NATURAL VENEER OF THE SAME WOOD USED ON THE RESPECTIVE PART OF THE FURNITURE.



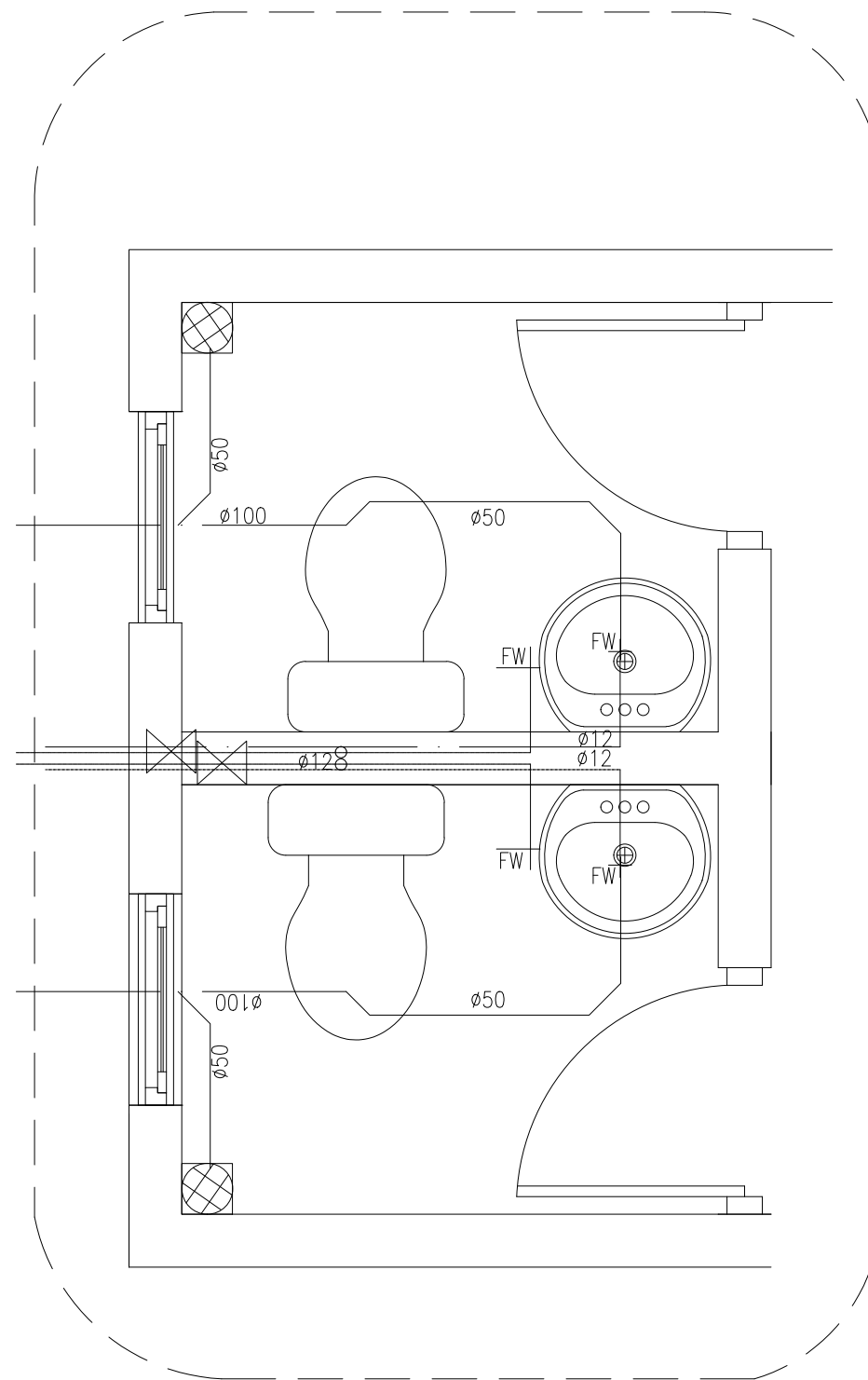
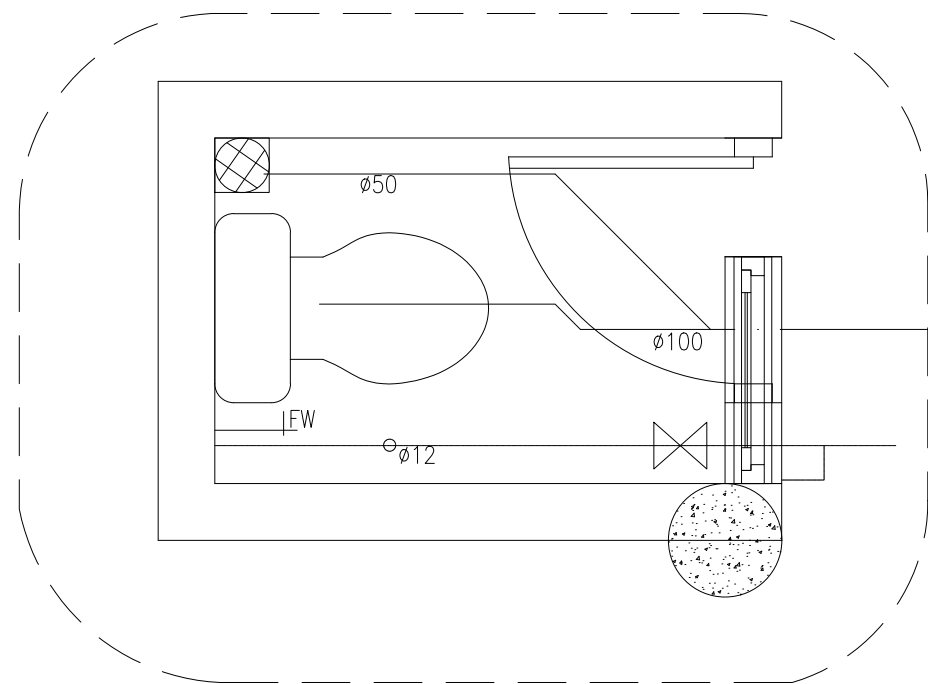
RECEPTION COUNTER REAR ELEVATION

SCALE 1:20

RECEPTION COUNTER

SECTION

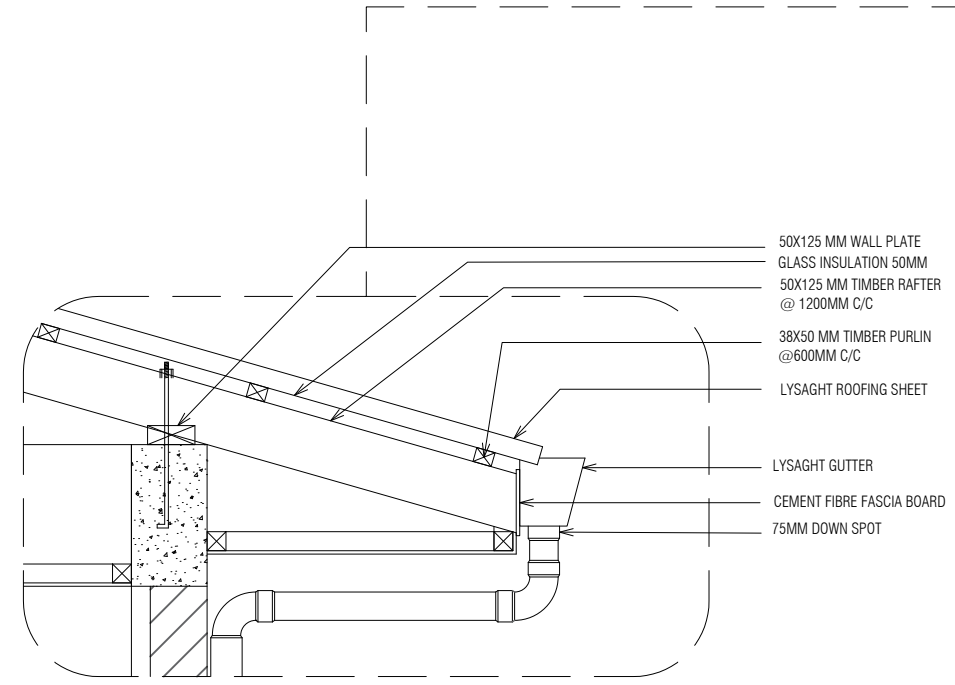
SCALE 1:20



- SYMBOLS LEGEND (PLUMBING)**
- Soil/ Waste pipe
 - 50mm Ø Waste pipe
 - 50mm Ø vent pipe
 - Ground well water pipe
 - ⊗ Stop gate valve
 - ⊘ Non return valve
 - Hand shower
 - FD ⊗ Floor drain with water tap
 - B Wash basin
 - KS Kitchen sink
 - WC Water closet
 - FW — Fresh water tap
 - GPE ● Ground water pump (Electric)
 - GPD ● Ground water pump (Duplicate)

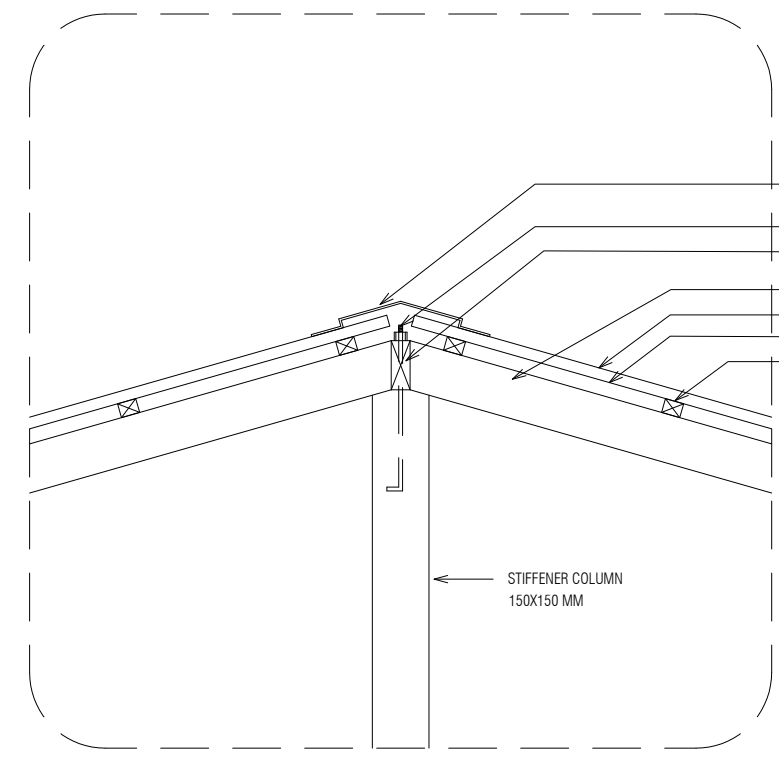
PLUMBING DETAILS
SCALE 1:20

DETAIL 01



- 50X125 MM WALL PLATE
- GLASS INSULATION 50MM
- 50X125 MM TIMBER RAFTER @ 1200MM C/C
- 38X50 MM TIMBER PURLIN @ 600MM C/C
- LYSAGHT ROOFING SHEET
- LYSAGHT GUTTER
- CEMENT FIBRE FASCIA BOARD
- 75MM DOWN SPOT

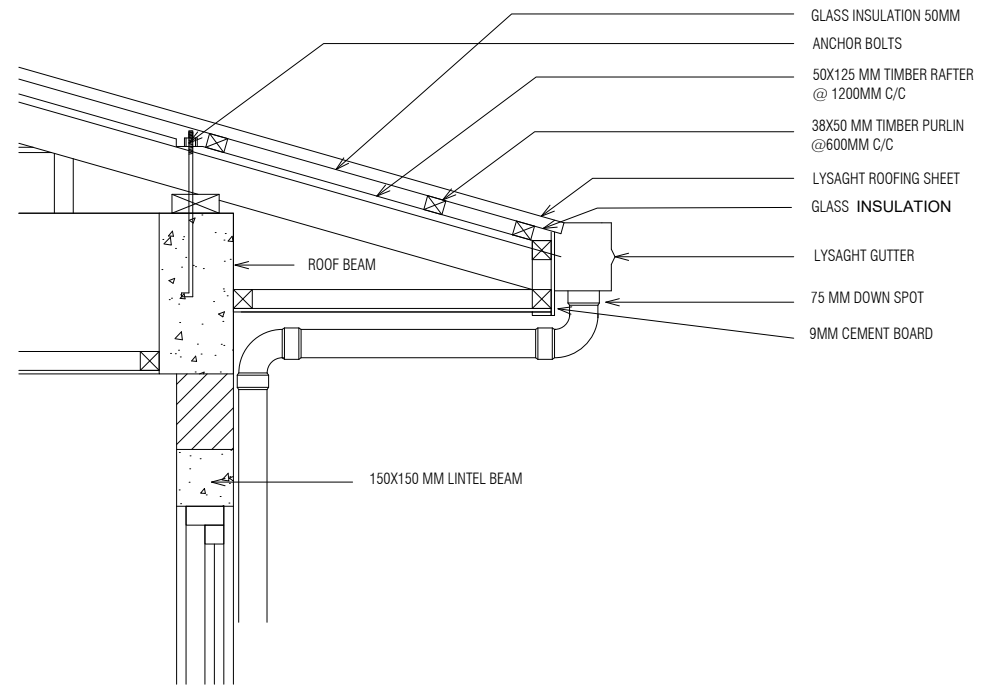
DETAIL AT 01
SCALE 1:20



- LYSAGHT RIDGE PLATE
- ANCHOR BOLTS
- 50X150 MM RIDGE BEAM
- 50X125 MM TIMBER RAFTER @ 1200MM C/C
- LYSAGHT ROOFING SHEET
- GLASS INSULATION 50MM
- 38X50 MM TIMBER PURLIN @ 600MM C/C

STIFFENER COLUMN
150X150 MM

DETAIL AT 02
SCALE 1:20

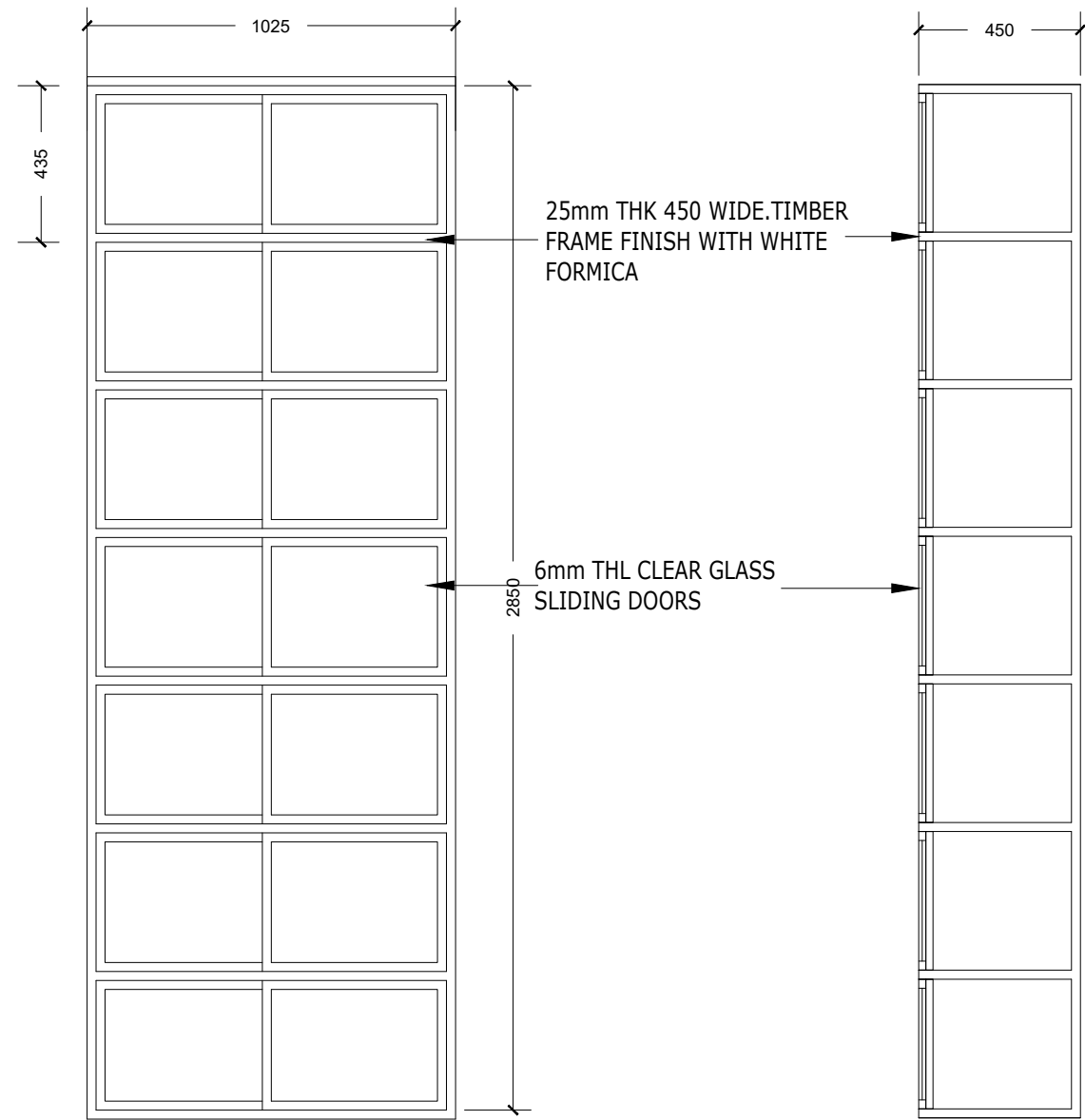


- GLASS INSULATION 50MM
- ANCHOR BOLTS
- 50X125 MM TIMBER RAFTER @ 1200MM C/C
- 38X50 MM TIMBER PURLIN @ 600MM C/C
- LYSAGHT ROOFING SHEET
- GLASS INSULATION
- LYSAGHT GUTTER
- 75 MM DOWN SPOT
- 9MM CEMENT BOARD

ROOF BEAM

150X150 MM LINTEL BEAM

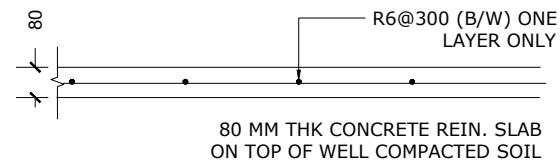
DETAIL AT 03
SCALE 1:20



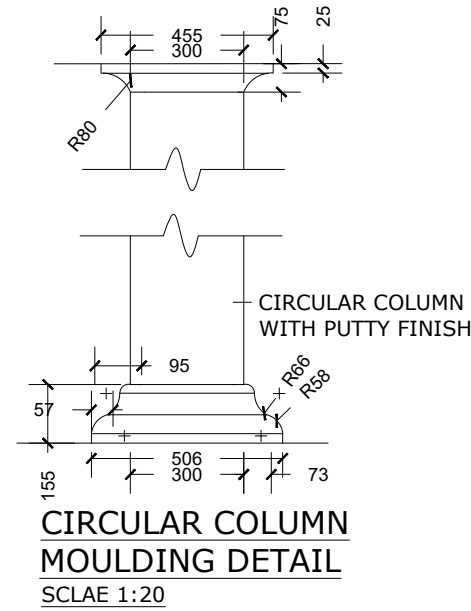
RACK DETAIL (ELEVATION)

RACK DETAIL (SECTION)


RACK DETAILS
 1:20



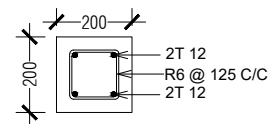
GROUND WELL SLAB DETAIL



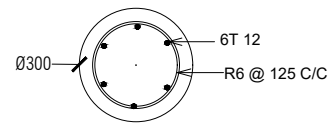
CIRCULAR COLUMN MOULDING DETAIL
SCALE 1:20

NOTE:
FOUNDATION DEPTH 1200MM
FOOTING DETAILS
 F1 - 850 x 850 x 300 - 5T10 @ 200 mm mm C/C B/W B1 & B2
 F2 - 600 x 600 x 300 - 4T10 @ 200 mm C/C B/W B1 & B2
 COVER - 50mm (WITH 50mm SCREED)

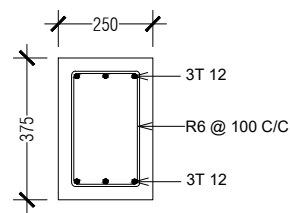
GROUND SLAB DETAILS
 SLAB THICKNESS - 80mm
 R6-200mm C/C SINGLE NET



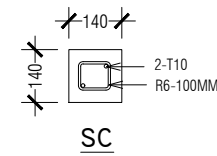
COLUMN C1



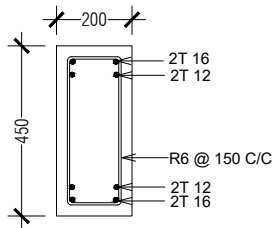
COLUMN C2



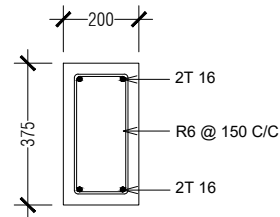
TIE BEAM



SC

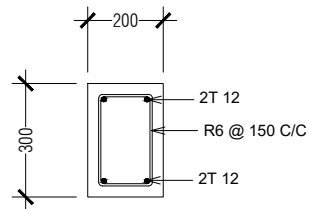


B1

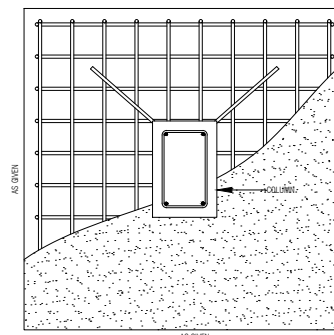


B2

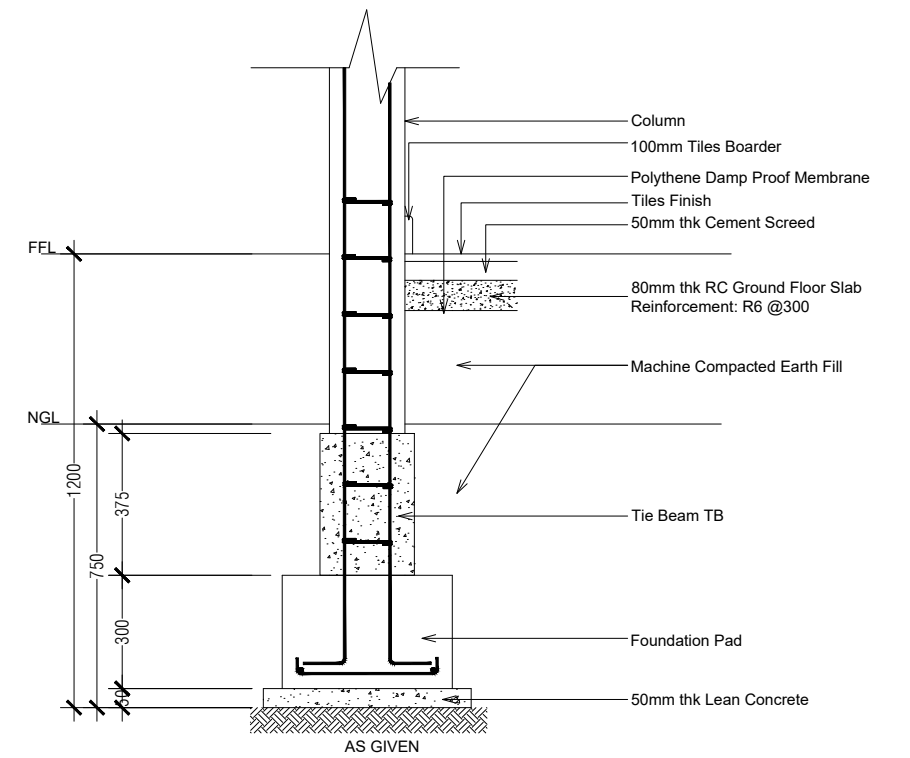
ROOF BEAM



B3

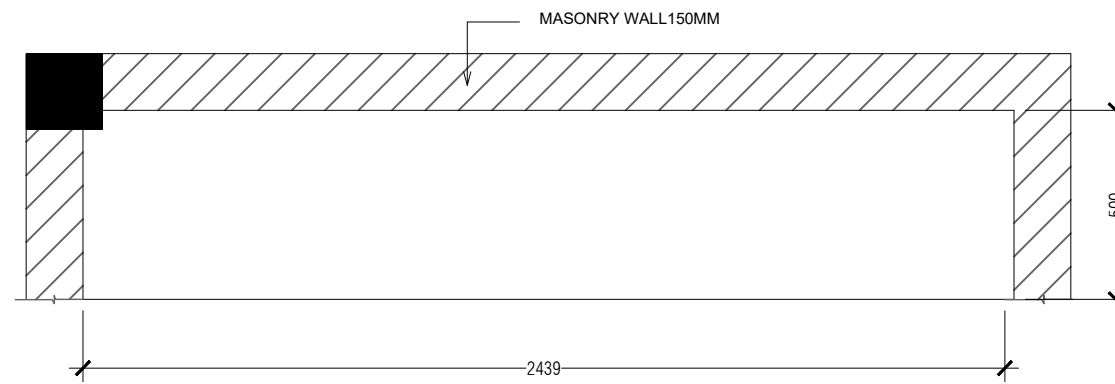
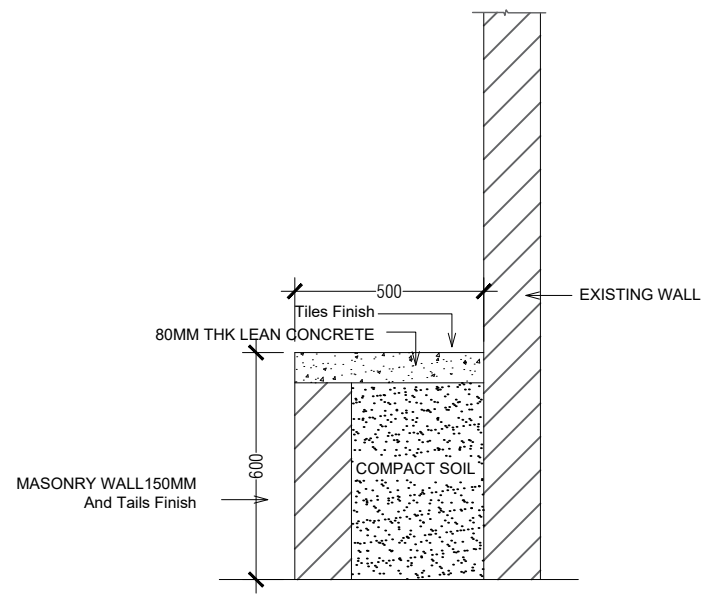


TYPICAL PLAN (FOUNDATION PAD)



FOUNDATION BEAM

STRUCTURAL DETAIL
SCALE 1:20



BENCH CELL DETAIL

SCALE 1:20