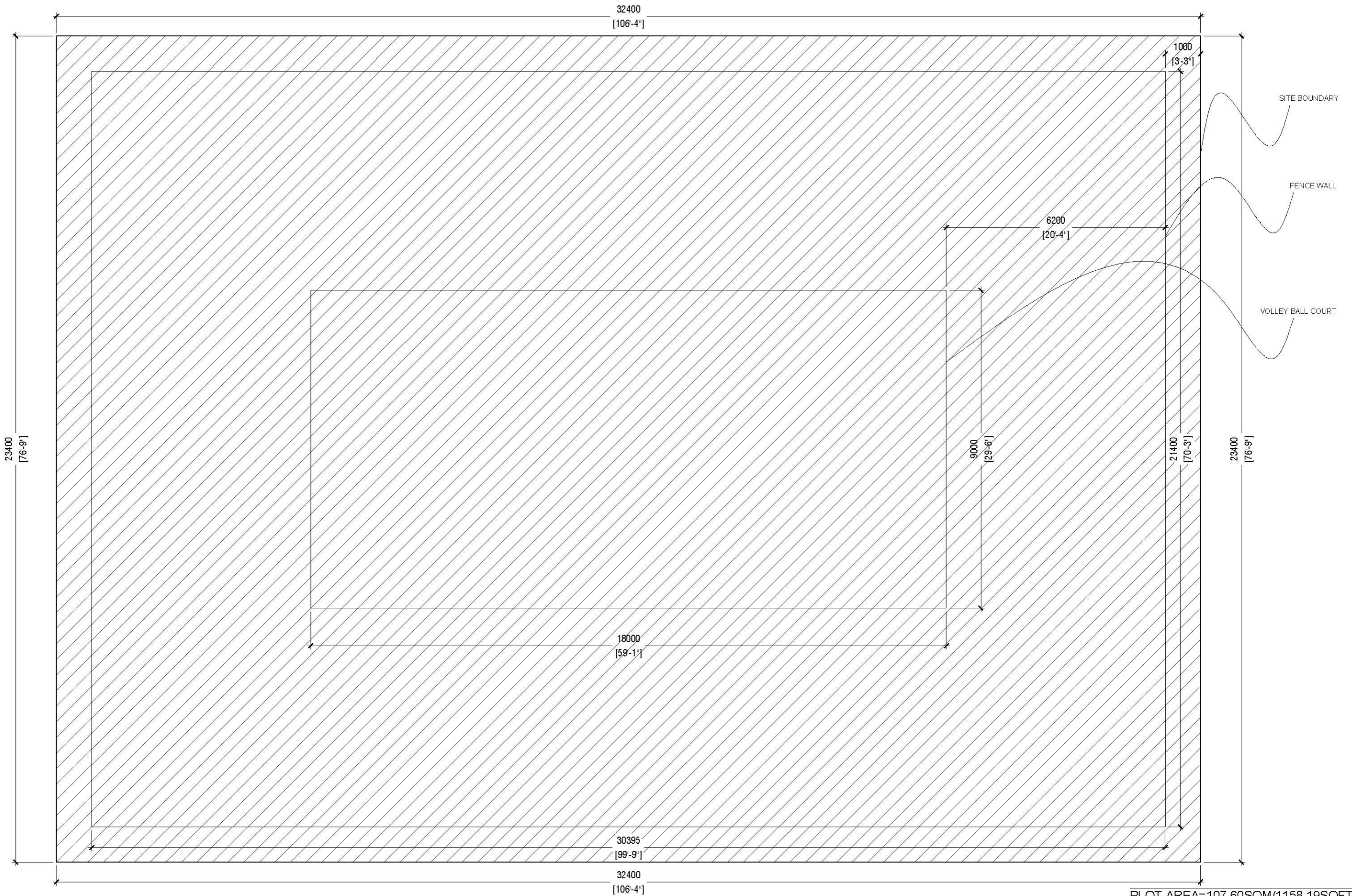


OUTDOOR VOLLEY COURT
ARCHITECTURAL DRAWINGS



SITE BOUNDARY

FENCE WALL

VOLLEY BALL COURT

SITE PLAN

SCALE 1:100



PLOT AREA=107.60SQM/1158.19SQFT

PROJECT: VOLLEYBALL COURT

CLIENT: RANEY

DATE: MAY 2021

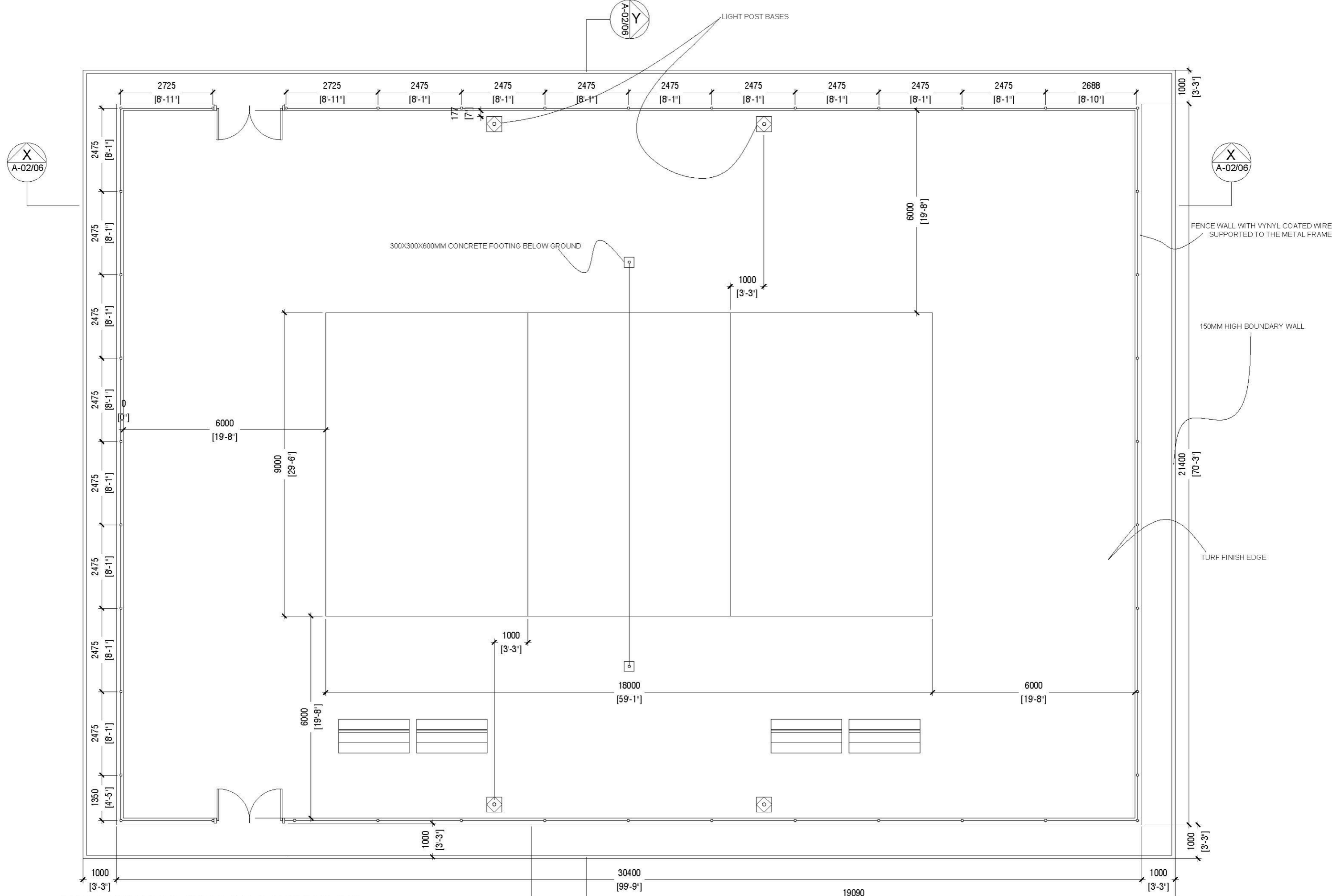
DO NOT SCALE THE DRAWING

ARCHITECTURAL DESIGN

DRAFTED BY: - ABDULLA ANEEL

DWG NO:

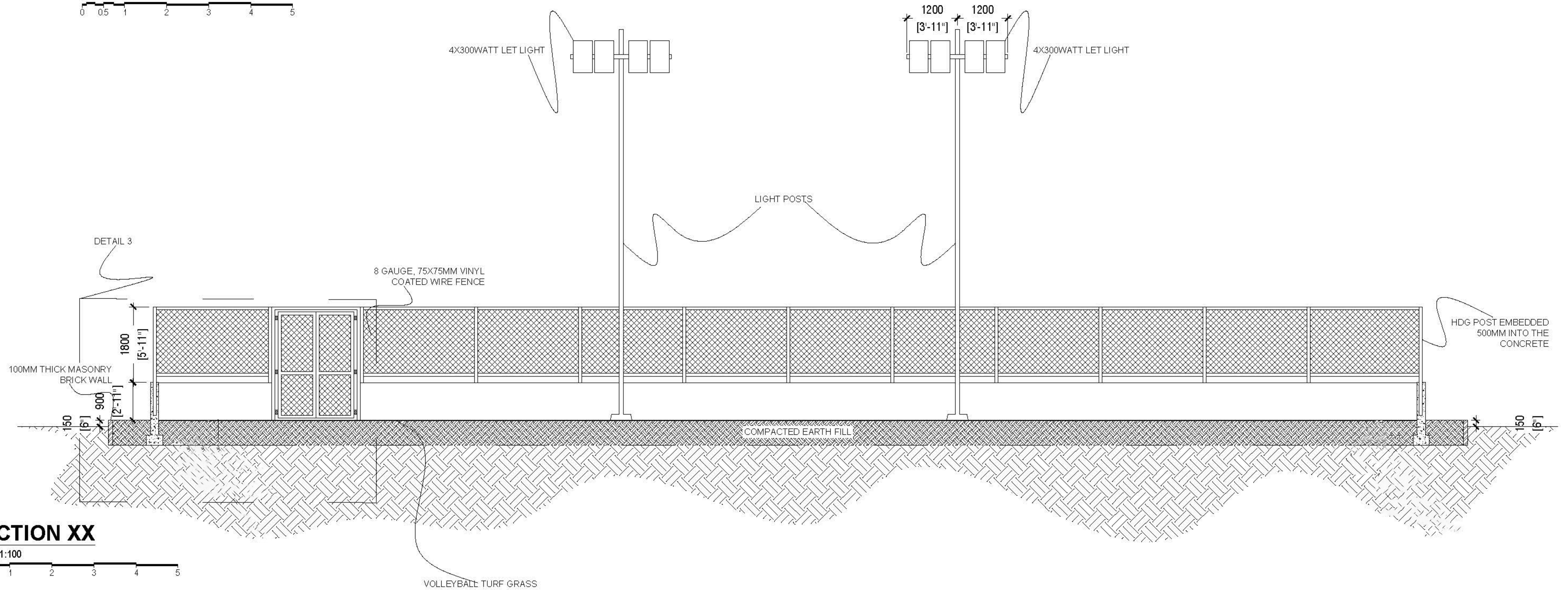
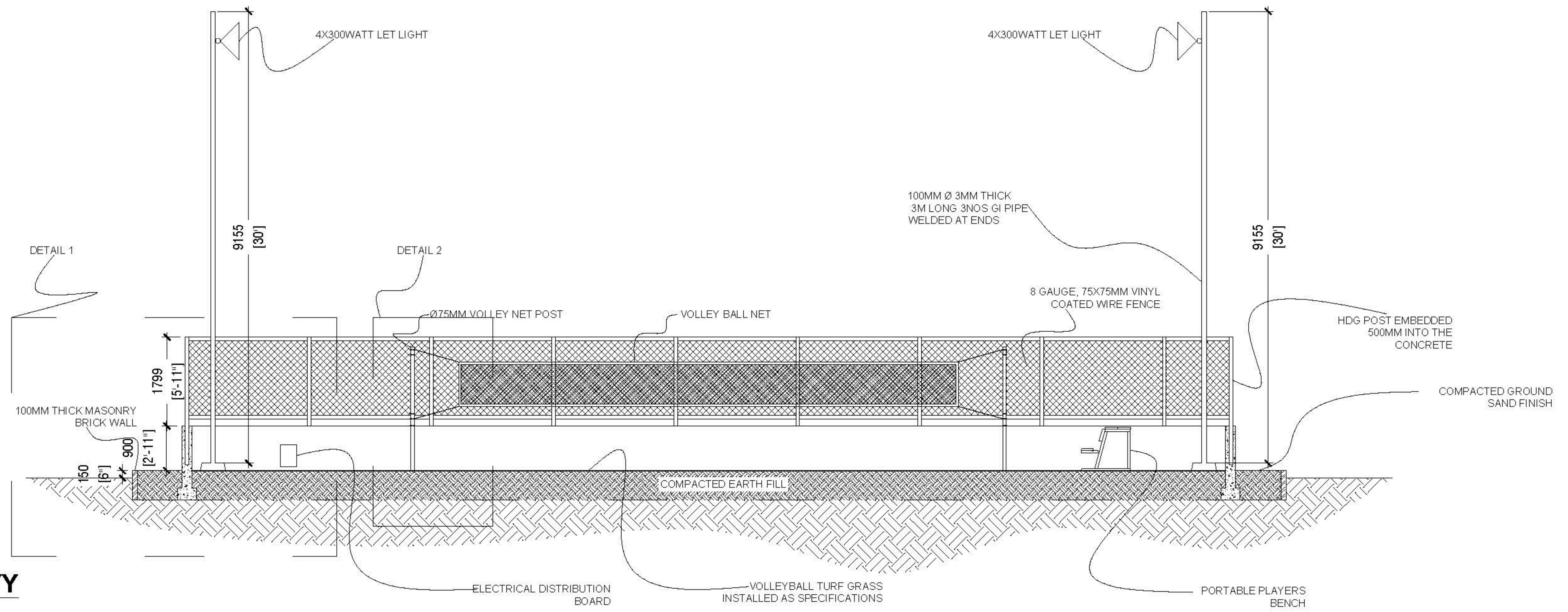
A - 00/06



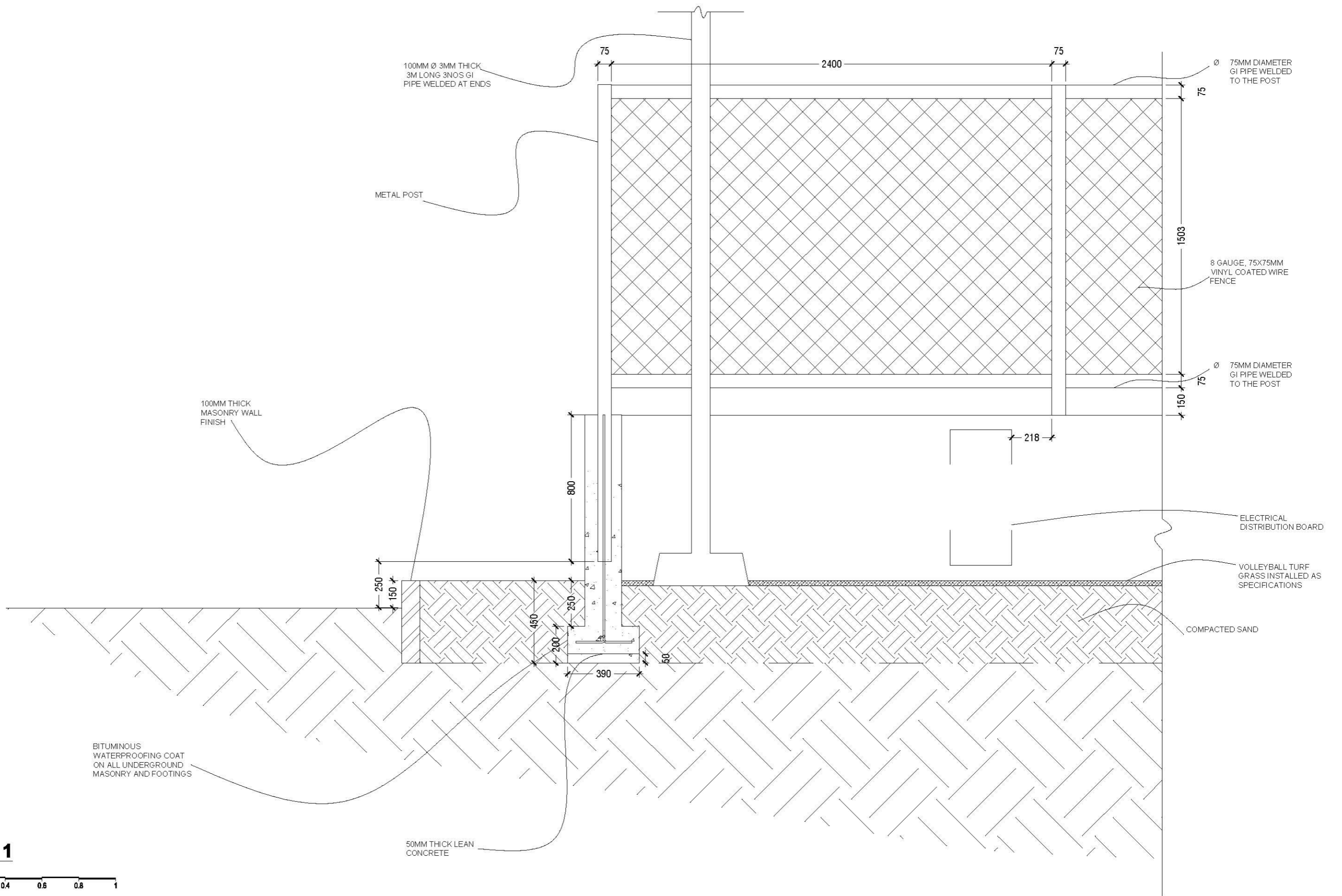
VOLLEY BALL COURT FLOOR PLAN

SCALE 1:100
 0 0.5 1 2 3 4 5

PROJECT: VOLLEYBALL COURT	ARCHITECTURAL DESIGN	DWG NO:
CLIENT: RANEY	DRAFTED BY: - ABDULLA ANEEL	A - 01/06
DATE: MAY 2021		
DO NOT SCALE THE DRAWING		



PROJECT: VOLLEYBALL COURT	ARCHITECTURAL DESIGN	DWG NO:
CLIENT: RANEY	DRAFTED BY: - ABDULLA ANEEL	A - 02/06
DATE: MAY 2021		
DO NOT SCALE THE DRAWING		



DETIAL 1

SCALE 1:20



PROJECT: VOLLEYBALL COURT

CLIENT: RANEY

DATE: MAY 2021

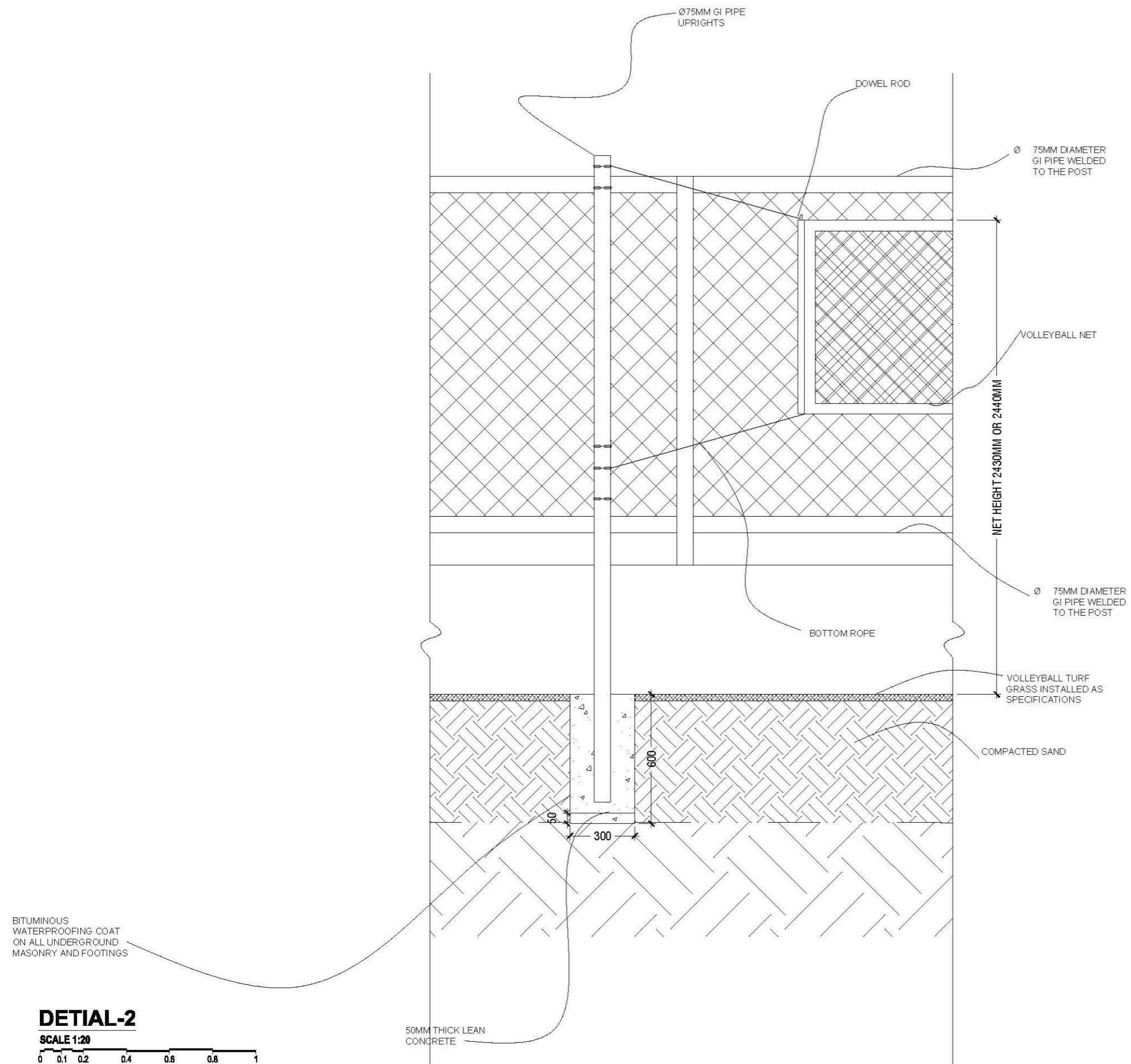
DO NOT SCALE THE DRAWING

ARCHITECTURAL DESIGN

DRAFTED BY: - ABDULLA ANEEL

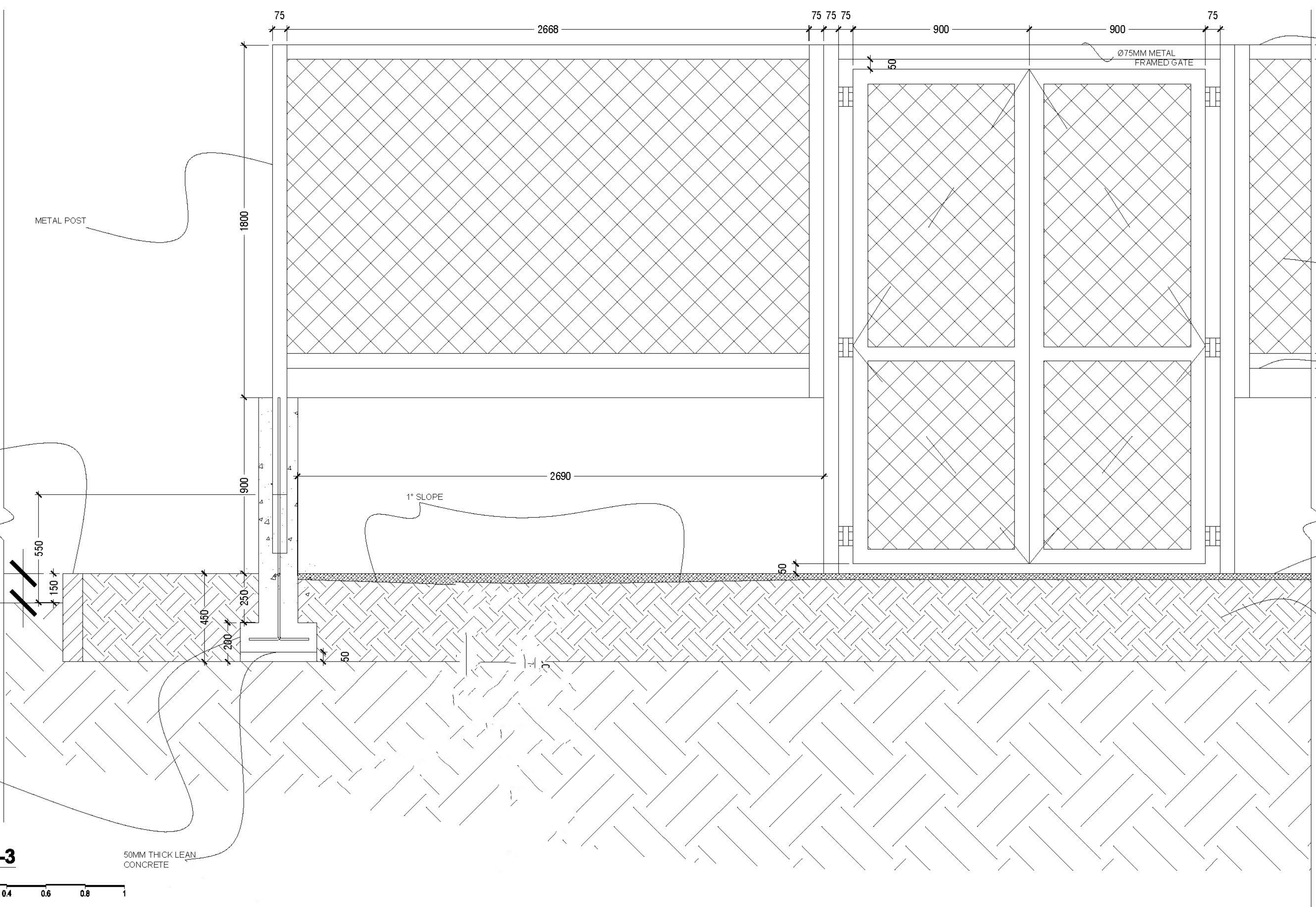
DWG NO:

A - 03/06



PROJECT: VOLLEYBALL COURT	ARCHITECTURAL DESIGN	DWG NO:
CLIENT: RANEY	DRAFTED BY: - ABDULLA ANEEL	A - 04/06
DATE: MAY 2021		
DO NOT SCALE THE DRAWING		

150
[6"]

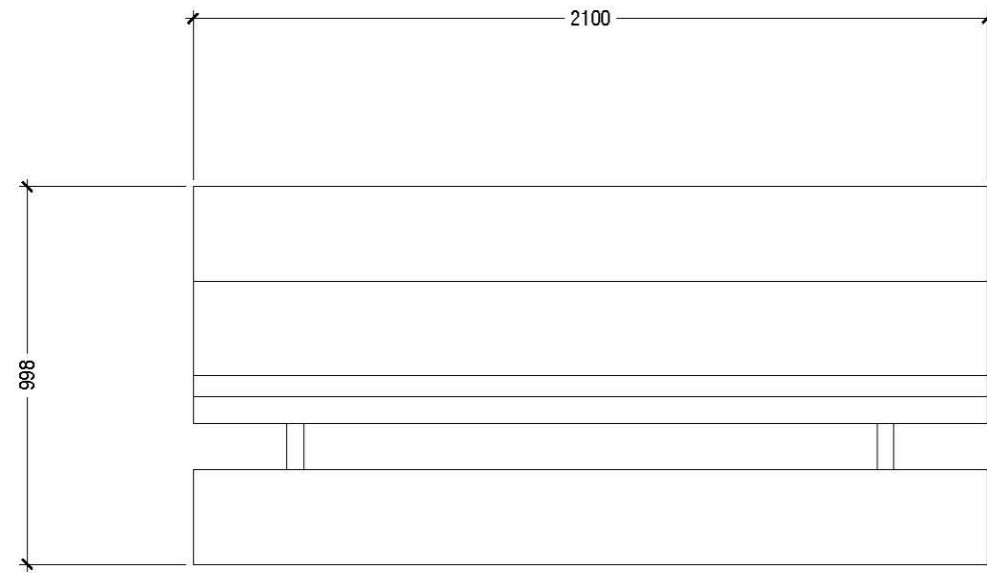


DETIAL-3

SCALE 1:20

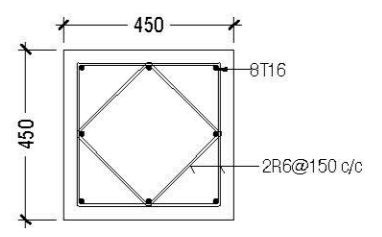


PROJECT: VOLLEYBALL COURT	ARCHITECTURAL DESIGN	DWG NO:
CLIENT: RANEY	DRAFTED BY: - ABDULLA ANEEL	A - 05/06
DATE: MAY 2021		
DO NOT SCALE THE DRAWING		



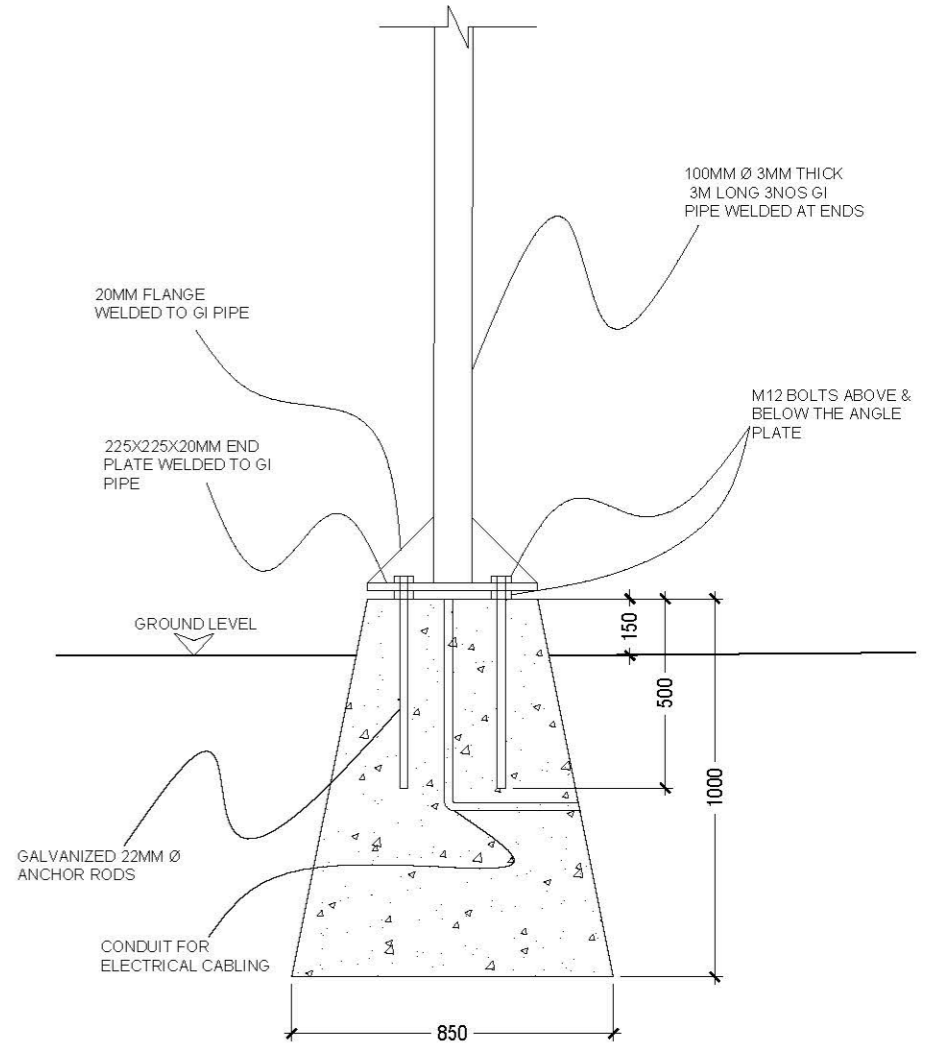
PORTABLE PLAYERS BENCH-PLAN

SCALE 1:20
0 0.1 0.2 0.4 0.6 0.8 1



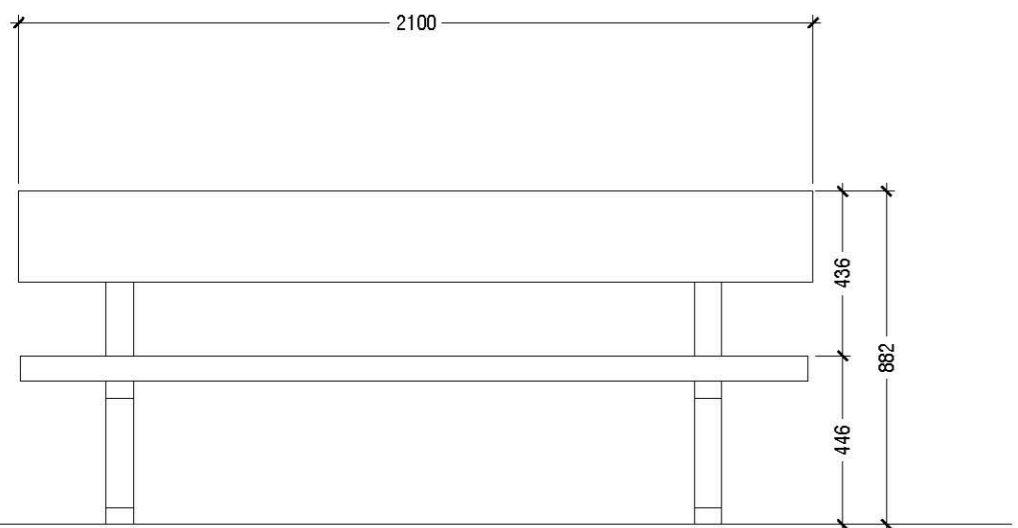
LIGHT POST FOOTING DETAILS

SCALE 1:20
0 0.1 0.2 0.4 0.6 0.8 1



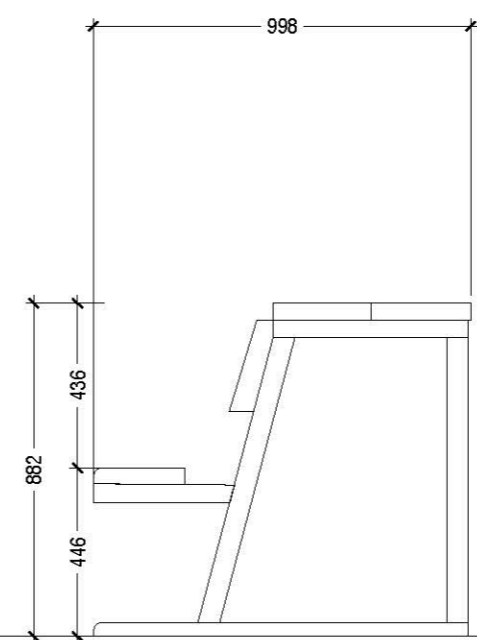
LIGHT POST FIXING DETAILS

SCALE 1:20
0 0.1 0.2 0.4 0.6 0.8 1



PORTABLE PLAYERS BENCH-FRONT ELEVATION

SCALE 1:20
0 0.1 0.2 0.4 0.6 0.8 1

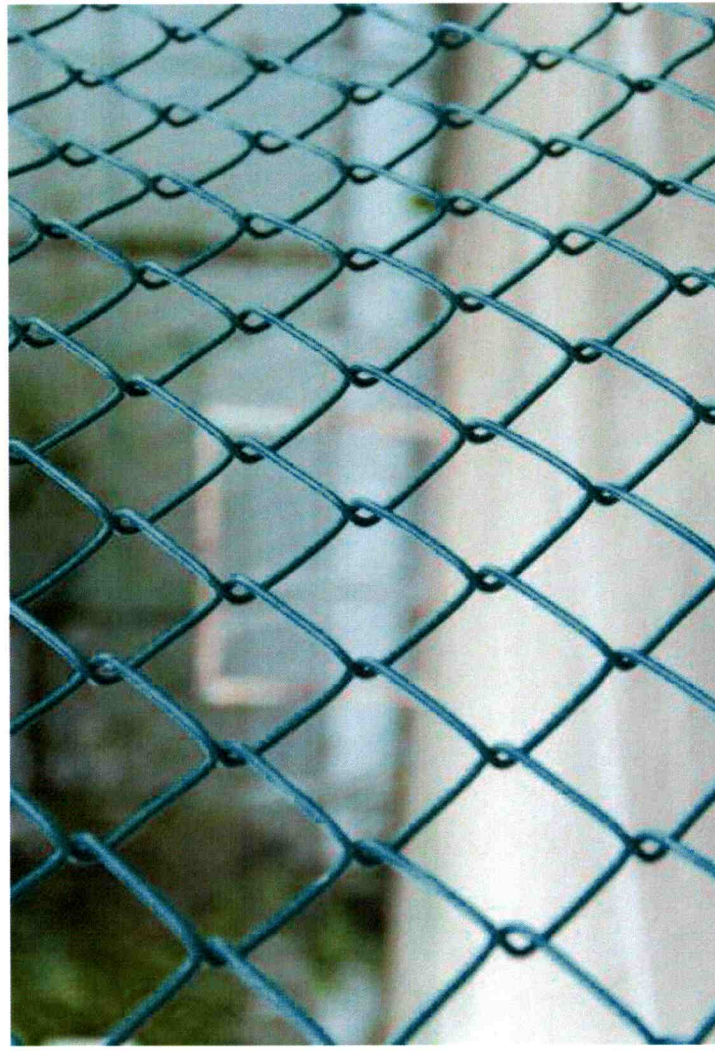


PORTABLE PLAYERS BENCH-SIDE ELEVATION

SCALE 1:20
0 0.1 0.2 0.4 0.6 0.8 1

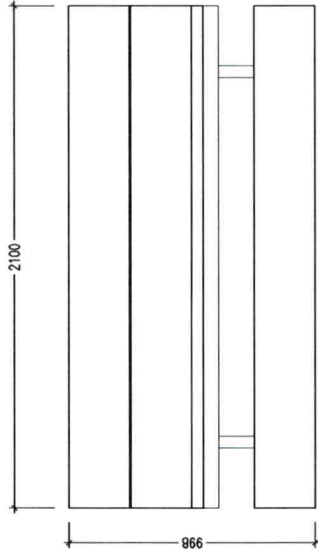
PROJECT: VOLLEYBALL COURT	ARCHITECTURAL DESIGN	DWG NO:
CLIENT: RANEY	DRAFTED BY: - ABDULLA ANEEL	A - 06/06
DATE: MAY 2021		
DO NOT SCALE THE DRAWING		

PVC COATED WIRE FENCE

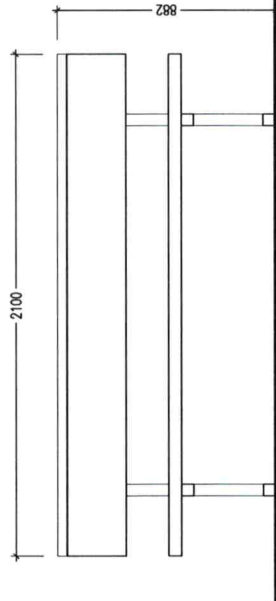


**8 Gauge, 75x75 mm
vinyl coated wire fence**

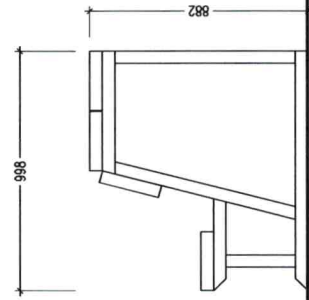
PORTABLE PLAYERS BENCH



PORTABLE PLAYERS BENCH- FLOOR PLAN
SCALE 1:20



PORTABLE PLAYERS BENCH- SIDE ELEVATION
SCALE 1:20



PORTABLE PLAYERS BENCH- SIDE ELEVATION
SCALE 1:20

System Information

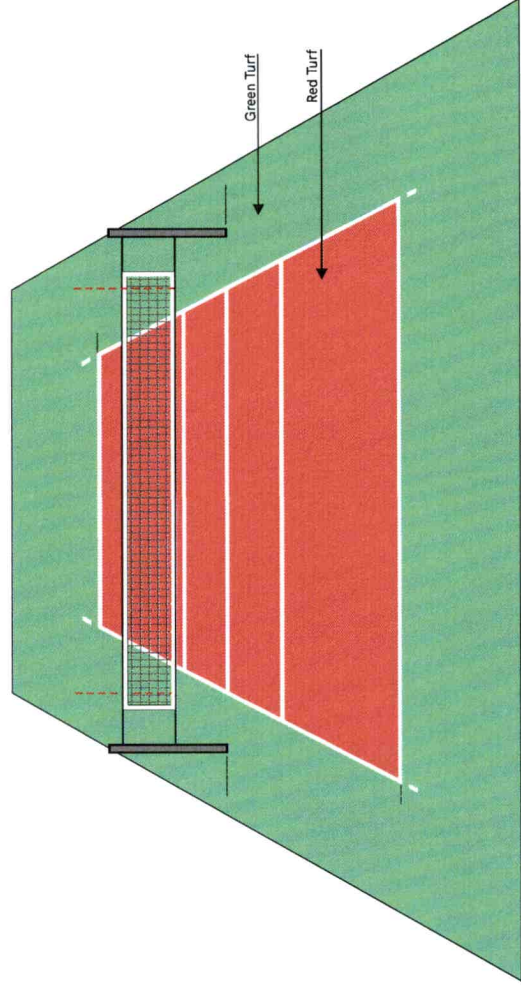
Material: Aluminium
2100 mm , bench with single foot plank



VOLLEYBALL COURT TURF SPECIFICATIONS



VOLLEYBALL COURT TURF



Volleyball court turf Specification

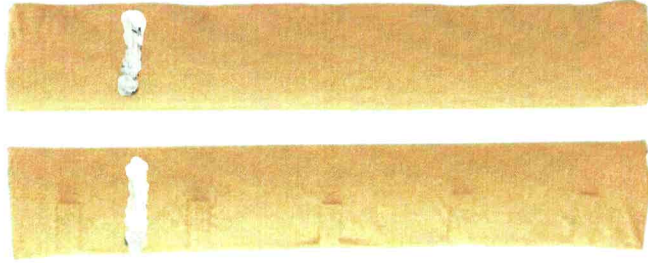
Pile Height	22mm
Dtex	9600
Stiches./m	310s/m (density:32,500/m2)
Colour	Red/Green
Gauge	3/8"
Grass yam	Fabrillated PE
Backing	PP+Net & SBR Latex
Rubber granules	07 kg/ sqm
Silica sand	09 kg/ sqm

VOLLEYBALL SYSTEM



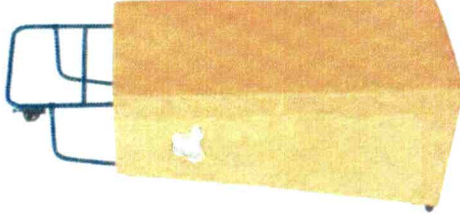
Beach Volleyball Uprights

FIVB approved
 Beach use
 Internal bevel gear system for fine height adjustment
 Aluminum made
 Dust/Water/Rust proof design
 Under ground L300mm
 Inner post : \varnothing 76.3mm
 Outer post : \varnothing 85.0mm
 33kg/pair



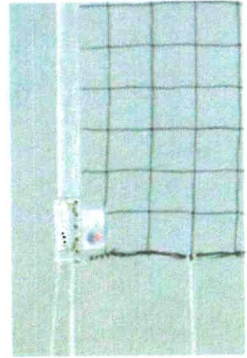
Safety Pads

FIVB approved
 Beach use
 Urethane foam covered with tarpaulins
 Easy attach/detach with Velcro tapes
 Dust/Water/Rust proof design
 H1700mm
 5kg/pair



Beach Volleyball Referee Stand

FIVB approved
 Beach use
 Steel frame with padding
 Detachable handrail
 H2100 x W750 x D900mm
 Footplate height adjustable 930-1430mm
 57kg / unit



Official Volleyball Net

FIVB approved
 indoor use
 Polyethylene net with technora cable
 Dtex 9017/360
 H1000 x L9500mm
 100mm x 100mm square mesh